



US00D794142S

(12) **United States Design Patent**
Zhou

(10) **Patent No.:** **US D794,142 S**

(45) **Date of Patent:** **** Aug. 8, 2017**

(54) **MAGNETIC BIKE**

(71) Applicant: **Xiamen Zhoulong Sporting Goods Co., Ltd.**, Fujian Province (CN)

(72) Inventor: **Yuzhi Zhou**, Fujian Province (CN)

(**) Term: **15 Years**

(21) Appl. No.: **29/552,734**

(22) Filed: **Jan. 26, 2016**

(51) **LOC (10) Cl.** **21-02**

(52) **U.S. Cl.**

USPC **D21/663; D21/694; D21/697**

(58) **Field of Classification Search**

USPC D21/622-667, 663, 670, 694, 697, 761

CPC A63B 21/00; A63B 22/00; A63B 22/06;

A63B 23/00; A63B 24/00; A63B 47/068;

A63B 69/16

See application file for complete search history.

(56) **References Cited**

U.S. PATENT DOCUMENTS

D373,400 S *	9/1996	Ogata	D21/761
D406,289 S *	3/1999	Hwang	D21/665
D438,264 S *	2/2001	Hsiung	D21/665
D446,266 S *	8/2001	Lin	D21/663
D450,100 S *	11/2001	Hsu	D21/694
D451,972 S *	12/2001	Easley	D21/694
D452,285 S *	12/2001	Easley	D21/694

D454,605 S *	3/2002	Lee	D21/694
D459,776 S *	7/2002	Lee	D21/697
D462,099 S *	8/2002	Chen	D21/663
D475,424 S *	6/2003	Lee	D21/694
D480,119 S *	9/2003	Chen	D21/663
D482,084 S *	11/2003	Yang	D21/663
D486,537 S *	2/2004	Lin	D21/670
D744,050 S *	11/2015	Colburn	D21/663

* cited by examiner

Primary Examiner — Caron D Veynar

Assistant Examiner — Mehri Bajoul

(74) *Attorney, Agent, or Firm* — Prakash Nama; Global IP Services, PLLC

(57) **CLAIM**

The ornamental design for a magnetic bike, as shown and described.

DESCRIPTION

FIG. 1 is a front elevational view of a magnetic bike showing my new design;

FIG. 2 is a left side view thereof;

FIG. 3 is a right side view thereof;

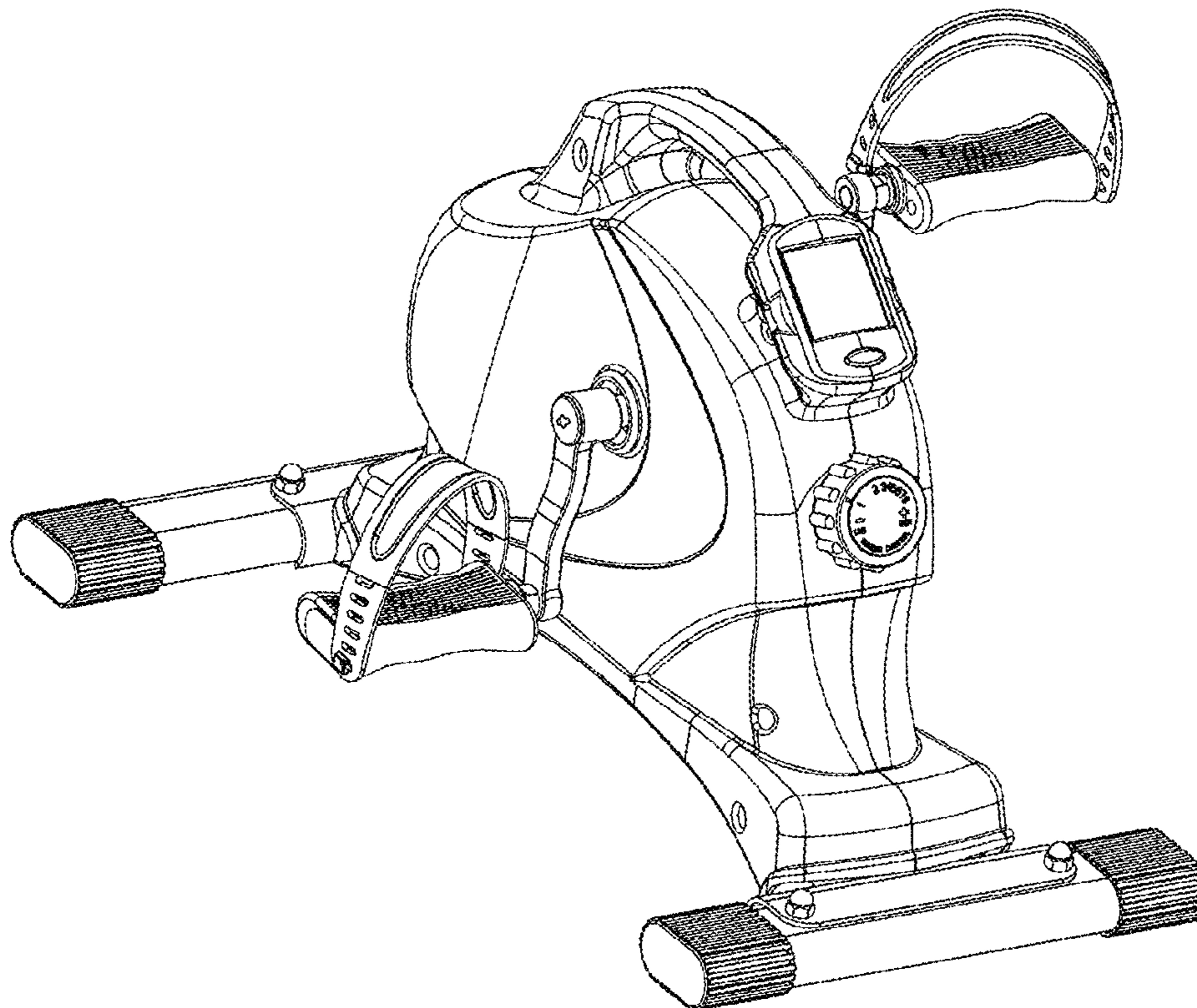
FIG. 4 is a top plan view thereof;

FIG. 5 is a bottom plan view thereof; and,

FIG. 6 is a perspective view thereof.

The broken lines shown form no part of the claimed design.

1 Claim, 6 Drawing Sheets



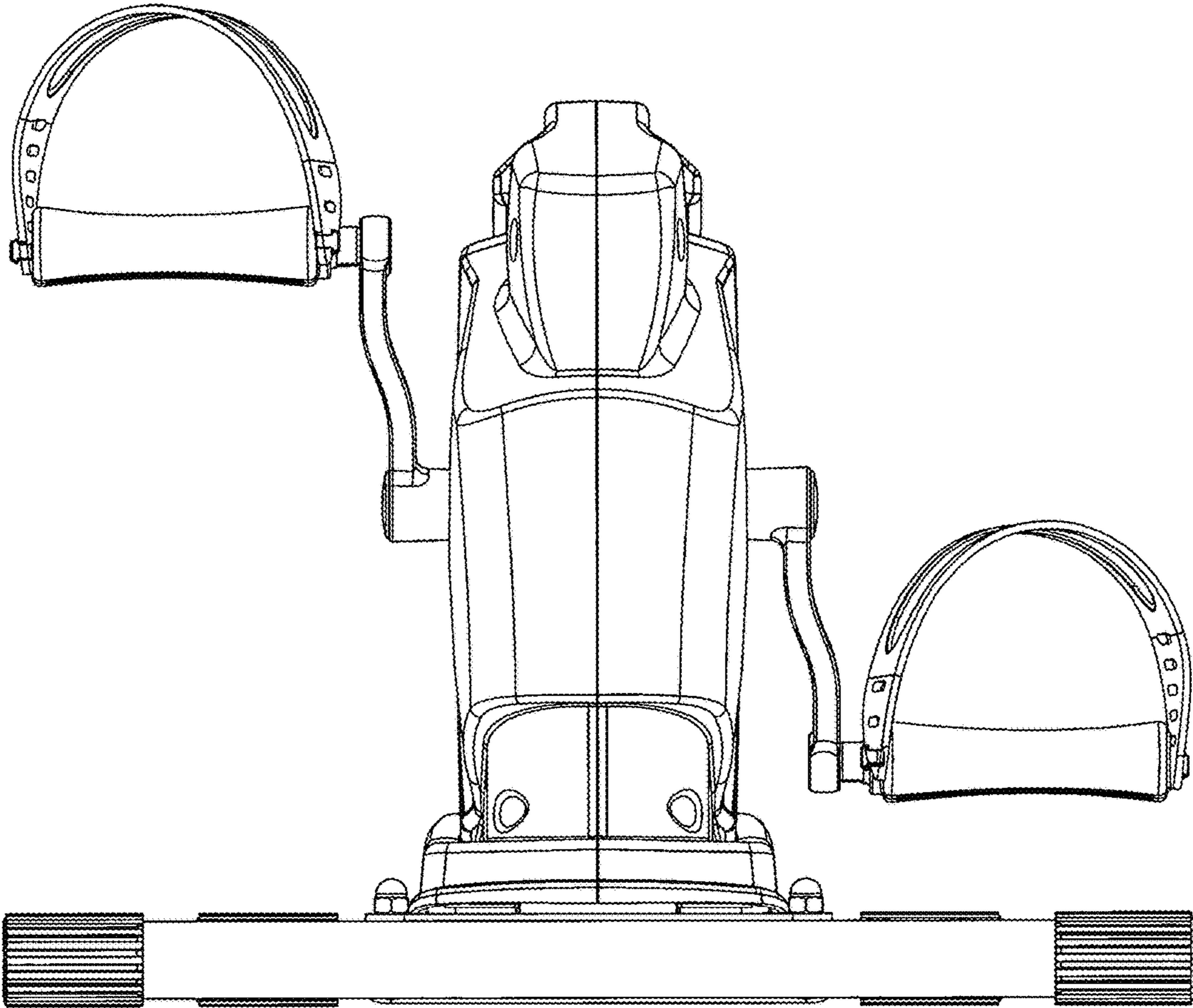


FIG. 1

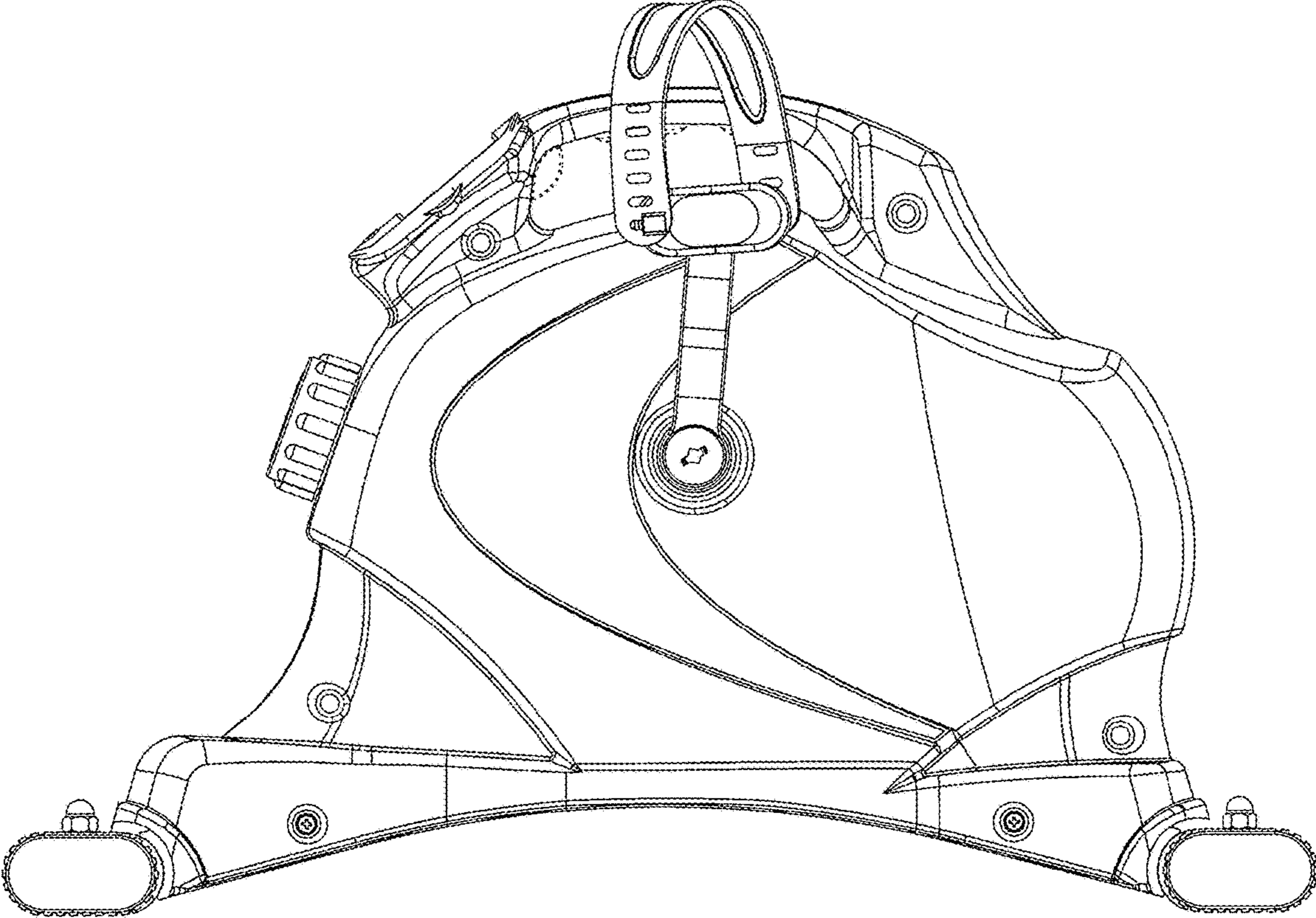


FIG. 2

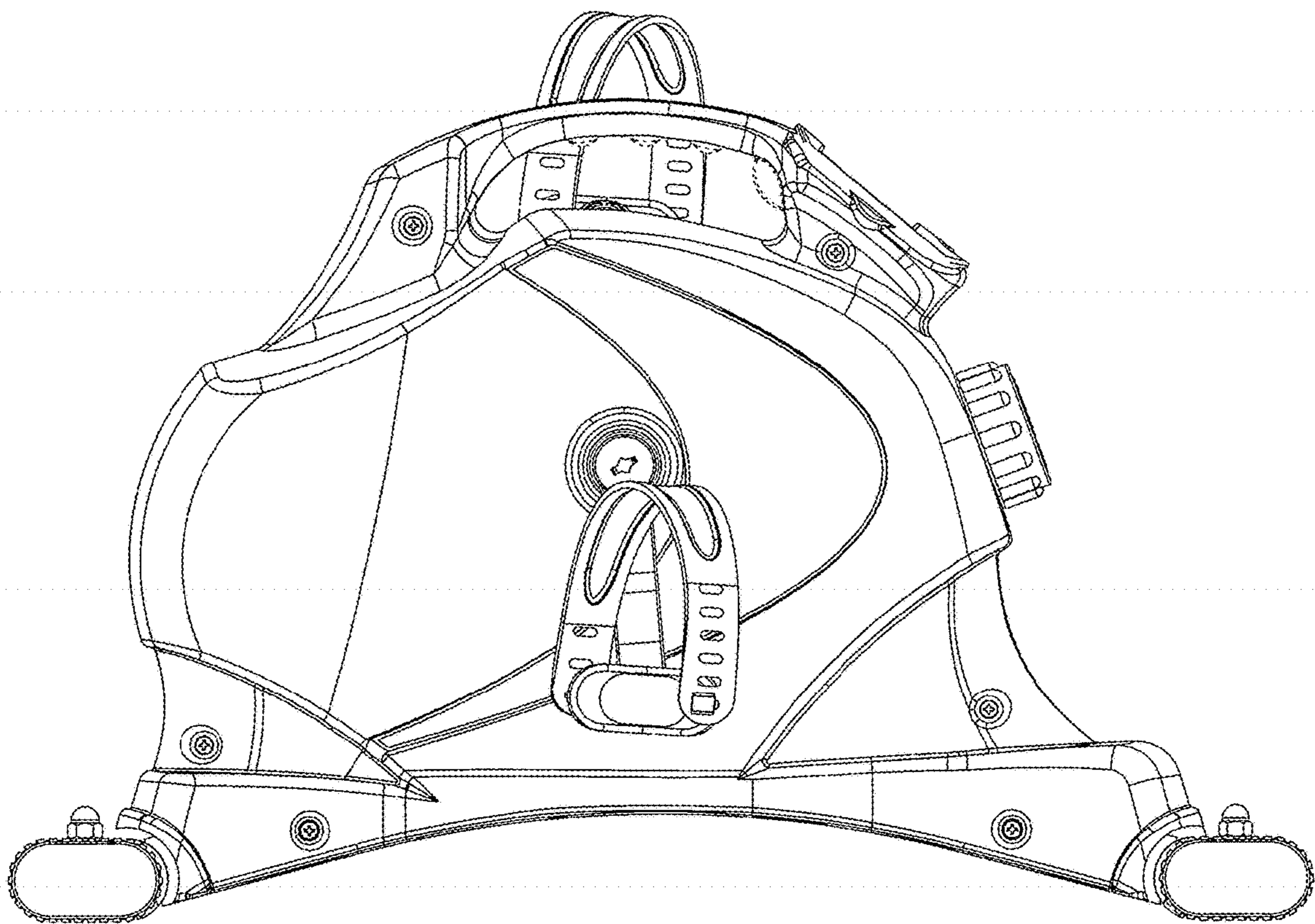


FIG. 3

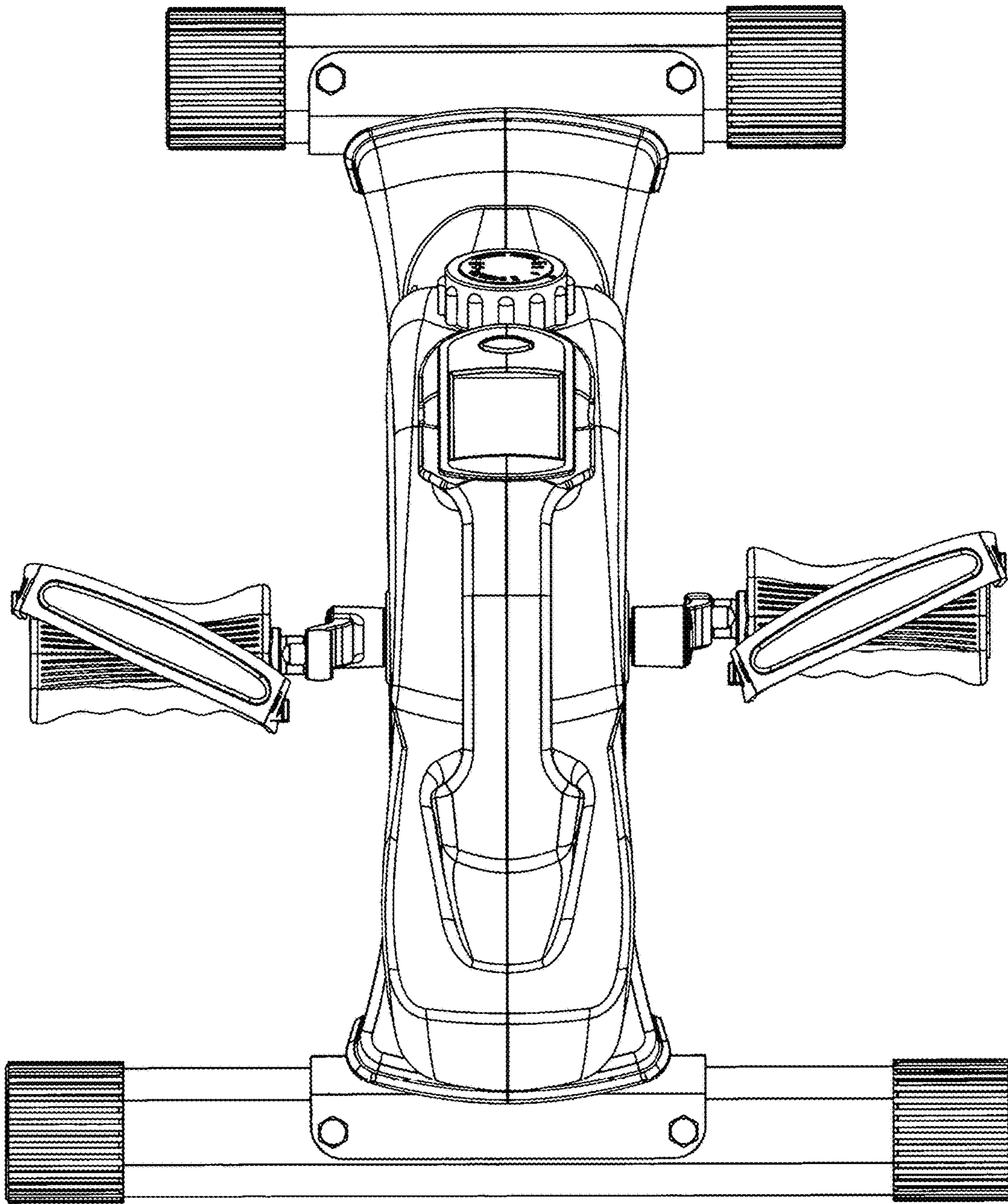


FIG. 4

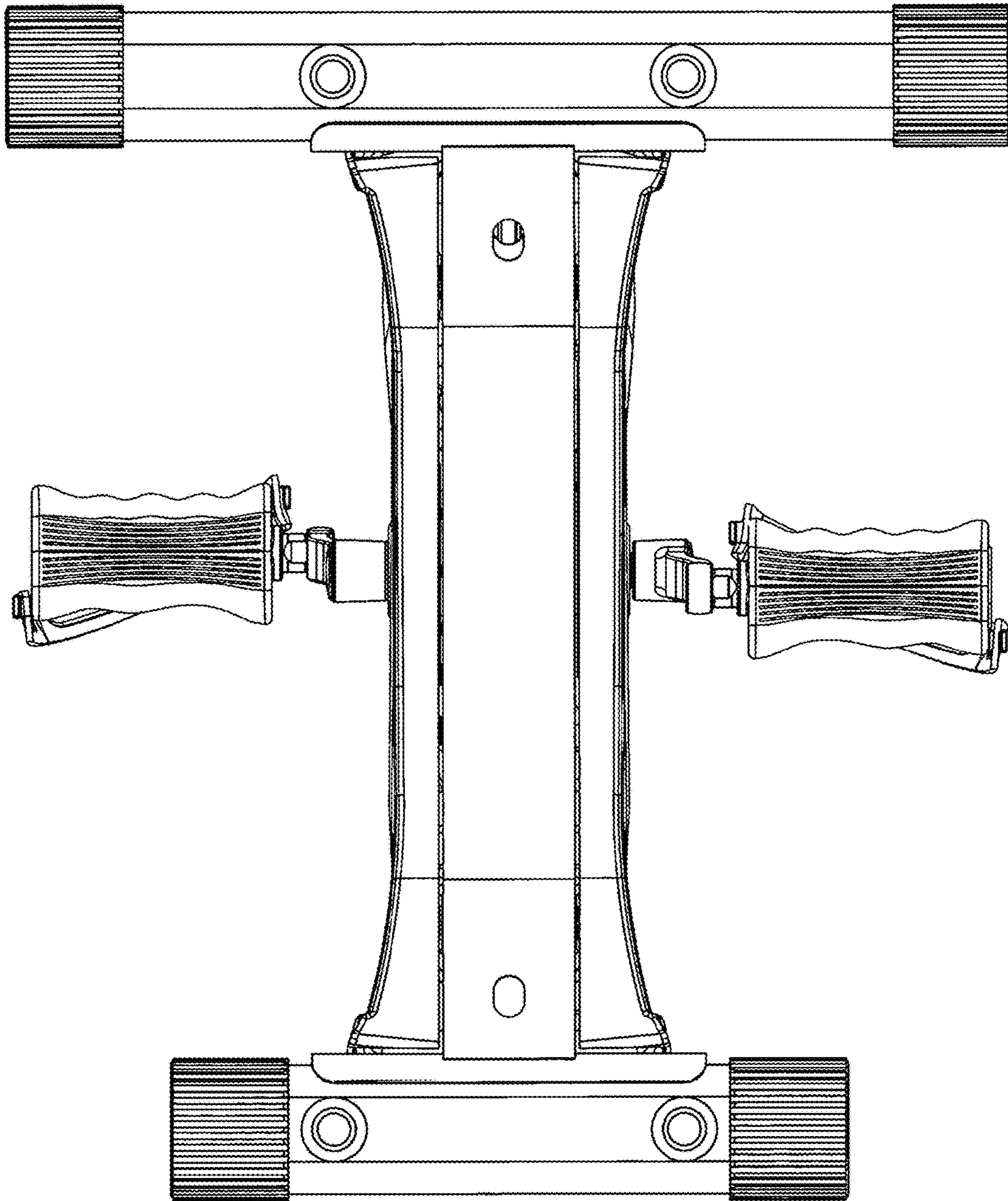


FIG. 5

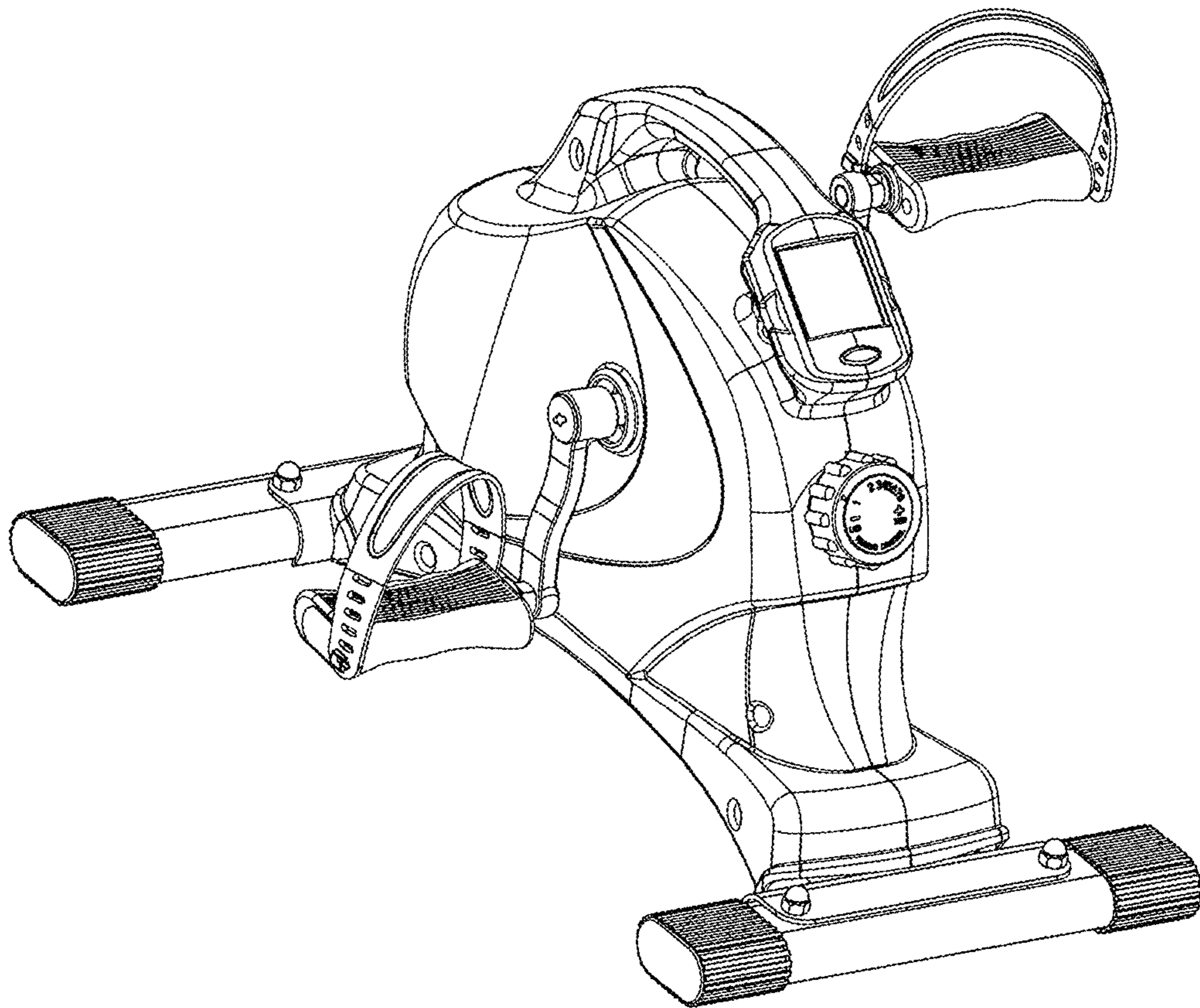


FIG. 6