



US00D794141S

(12) **United States Design Patent** (10) **Patent No.:** **US D794,141 S**
Corley (45) **Date of Patent:** **** Aug. 8, 2017**

(54) **YOGA BIND STRAP**

(71) Applicant: **Suzanne W Corley**, North Ridgeville, OH (US)

(72) Inventor: **Suzanne W Corley**, North Ridgeville, OH (US)

(**) Term: **15 Years**

(21) Appl. No.: **29/620,050**

(22) Filed: **Jun. 6, 2016**

Related U.S. Application Data

(63) Continuation-in-part of application No. 29/505,506, filed on Nov. 27, 2015, now Pat. No. Des. 779,598.

(51) **LOC (10) Cl.** **21-02**

(52) **U.S. Cl.**
USPC **D21/662**

(58) **Field of Classification Search**

USPC D21/664, 673, 688, 662, 699, 705, 668, D21/769, 690, 788, 698, 534, 669, 302, D21/691, 681, 682, 800, 694, 686, 702, D21/676, 684, 775, 777, 692, 672; 482/122, 142, 123, 129, 128, 93, 106, 74, 482/121, 130, 71, 72, 95, 96, 68, 66, 41, 482/141, 100, 115, 49, 146, 147, 42, 51, 482/35, 38, 23, 904, 91, 28, 140, 907, 86, 482/83, 87, 90, 131, 902, 61, 65, 17, 52, 482/62, 107, 108, 54, 105, 133, 148, 92, 482/138, 12; 473/432, 445, 441, 197, 473/434, 438, 454, 478, 447, 422, 476; D12/317, 9, 6, 8, 130, 115, 114; 273/400, 407, 396; D8/3, 499, 107, 14; D11/87, 86, 80, 103, 2, 56, 93, 13; 16/430, 421; D26/49, 37; D24/107; 74/551.9; 59/82, 80; 24/658, 303
CPC A63B 21/0552; A63B 21/00069; A63B 21/4035; A63B 21/0557; A63B 21/0442; A63B 2208/0204; A63B 21/4043; A63B 23/12; A63B 21/0004

See application file for complete search history.

(56) **References Cited**

U.S. PATENT DOCUMENTS

2,122,372 A	6/1938	Hooper	114/219
3,510,130 A	5/1970	Ferdinand	482/46
D257,200 S *	10/1980	LaRocca	5/645
4,345,757 A	8/1982	Lo Voi	482/132
D271,051 S	10/1983	McCoy et al.	D24/211
D280,434 S	9/1985	McManaway	D24/211
4,643,417 A	2/1987	Nieman	482/46
4,928,632 A *	5/1990	Gordon	A01K 15/025 119/709

(Continued)

Primary Examiner — Robert M Spear

Assistant Examiner — Ryan Harvey

(74) *Attorney, Agent, or Firm* — David A. Burge

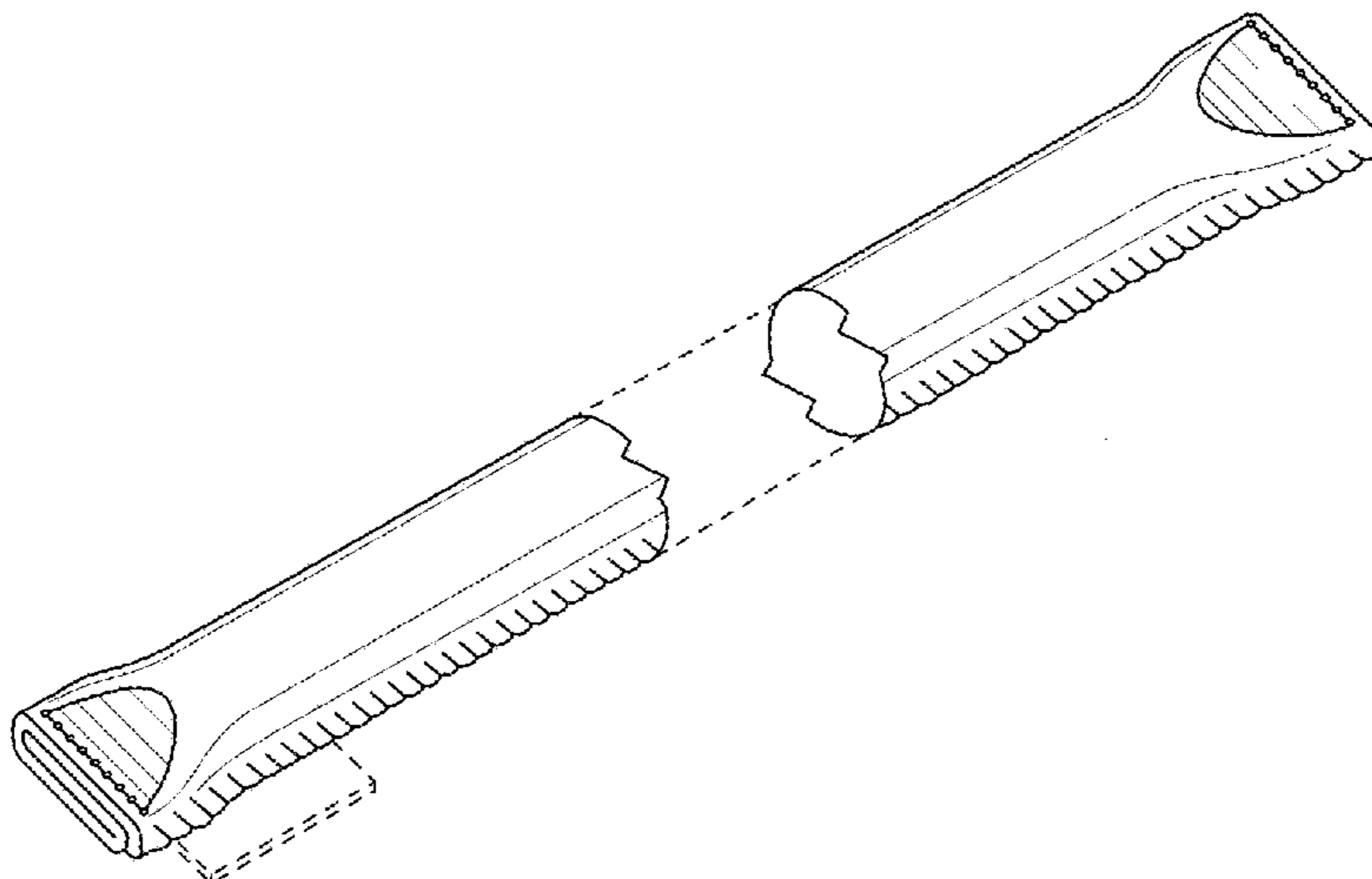
(57) **CLAIM**

I claim the ornamental design for a yoga bind strap, as shown and described.

DESCRIPTION

FIG. 1 is a perspective view showing front, top and left end portions of my new design;
FIG. 2 is a top view thereof;
FIG. 3 is a front view thereof;
FIG. 4 is a bottom view thereof;
FIG. 5 is a rear view thereof;
FIG. 6 is a left end view thereof; and,
FIG. 7 is a right end view thereof.
All broken lines that appear in any of the views of the drawings depict portions of the article of manufacture that form no part of the claimed design.
The claimed design is shown with a symbolic break in its length. The appearance of any portion of the article between the break lines forms no part of the claimed design.

1 Claim, 2 Drawing Sheets



(56)

References Cited

U.S. PATENT DOCUMENTS

D340,527 S 10/1993 Goodell D24/211
 5,431,610 A 7/1995 Miller A63B 21/0004
 482/11
 D384,158 S 9/1997 Kain D24/215
 D398,400 S 9/1998 Havelind D24/211
 D405,536 S 2/1999 Haynes D24/214
 D416,427 S 11/1999 Pecora et al. D6/601
 6,014,950 A 1/2000 Rogers A01K 15/026
 119/710
 6,517,877 B2 2/2003 Gannon A23K 40/20
 426/282
 D485,399 S 1/2004 Nazimek D30/160
 D494,006 S 8/2004 Zemel D7/395
 D494,807 S 8/2004 Zemel D7/393
 6,769,436 B2* 8/2004 Horian A24F 47/002
 128/202.21
 D528,709 S 9/2006 Nazimek D30/160
 D528,857 S 9/2006 Zemel D7/395
 D550,504 S 9/2007 Zemel D7/395
 D554,208 S 10/2007 Palazek D21/662
 D572,068 S 7/2008 Lin D6/582

D597,263 S 7/2009 Nazimek D30/160
 7,578,775 B2 8/2009 Terry A63B 21/0004
 482/121
 D609,048 S 2/2010 Yeh D7/387
 D629,978 S 12/2010 Nazimek D30/160
 D648,807 S 11/2011 Butler D21/398
 D670,455 S 11/2012 Lipscomb D30/160
 D677,652 S 3/2013 Gifford D14/217
 8,387,216 B1 3/2013 Martinson 24/30
 D686,374 S 7/2013 Nazimek D30/160
 D686,375 S* 7/2013 Nazimek D30/160
 D696,414 S 12/2013 Tabe et al. D24/215
 8,776,322 B2 7/2014 Martinson 24/30
 D712,563 S 9/2014 Pursel et al. D24/214
 D718,062 S* 11/2014 Hirata D6/300
 D732,888 S 6/2015 Rose D7/395
 D733,226 S 6/2015 Abbate D21/679
 D734,063 S 7/2015 Evert et al. D6/588
 9,101,114 B2* 8/2015 Lipscomb A01K 15/024
 D779,598 S* 2/2017 Corley D21/662
 2004/0250346 A1 12/2004 Vasishth 5/417
 2007/0275827 A1 11/2007 Glaser 482/23
 2014/0259399 A1 9/2014 Tsai 434/362
 2014/0295983 A1 10/2014 Nooner 473/233

* cited by examiner

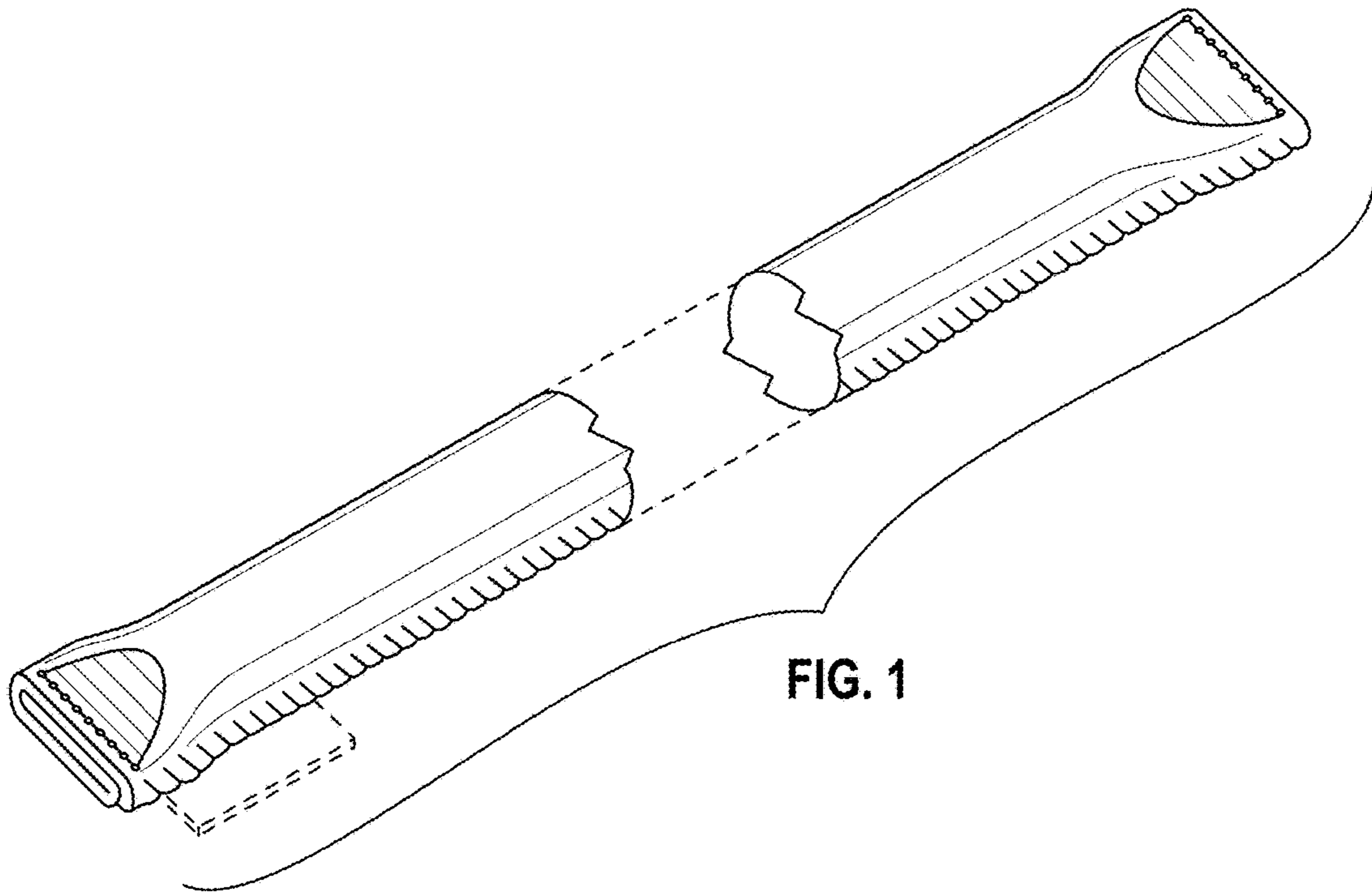


FIG. 1

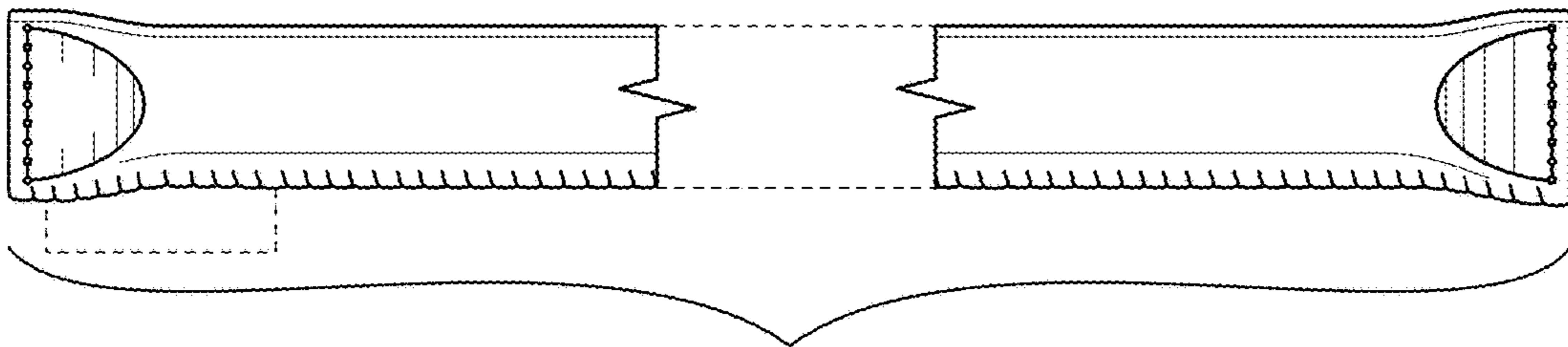


FIG. 2

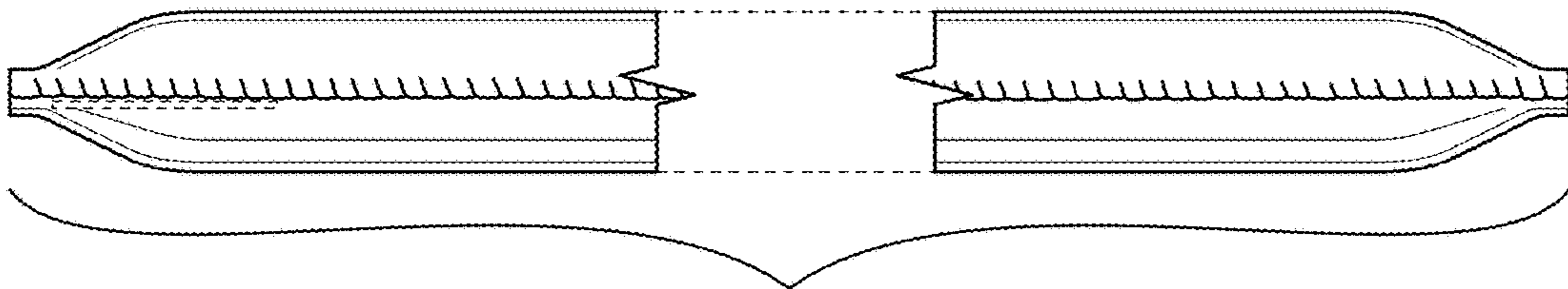


FIG. 3

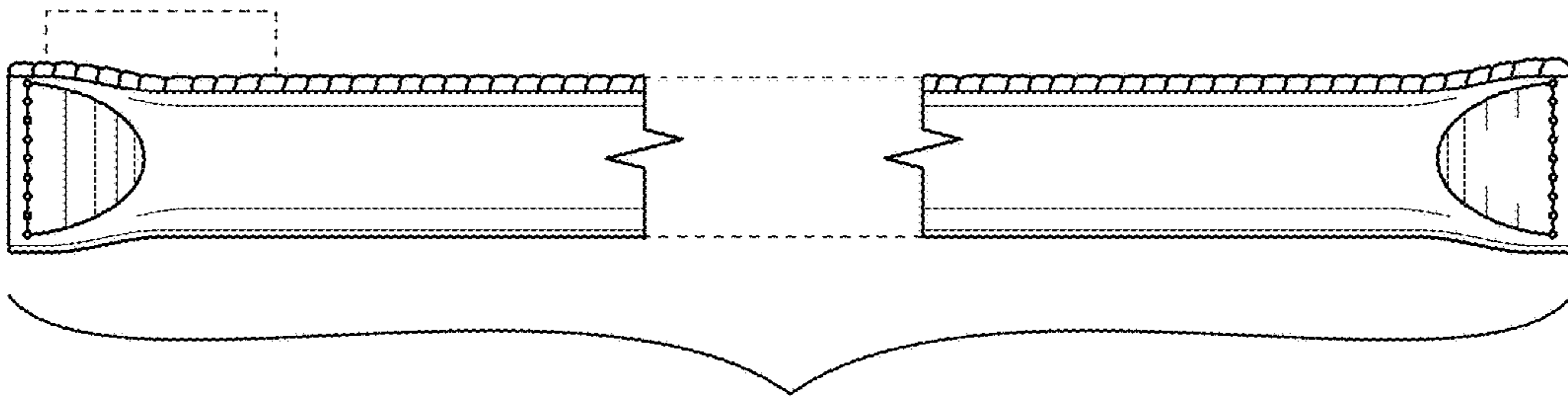


FIG. 4

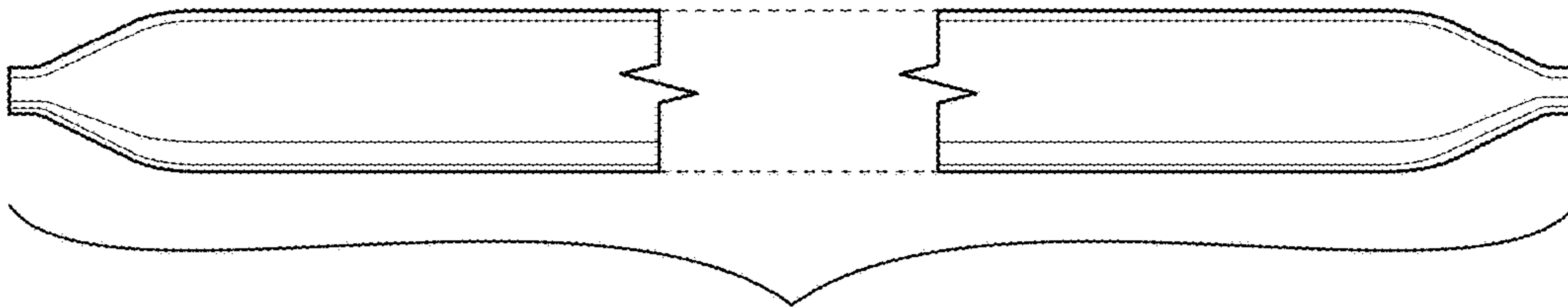


FIG. 5

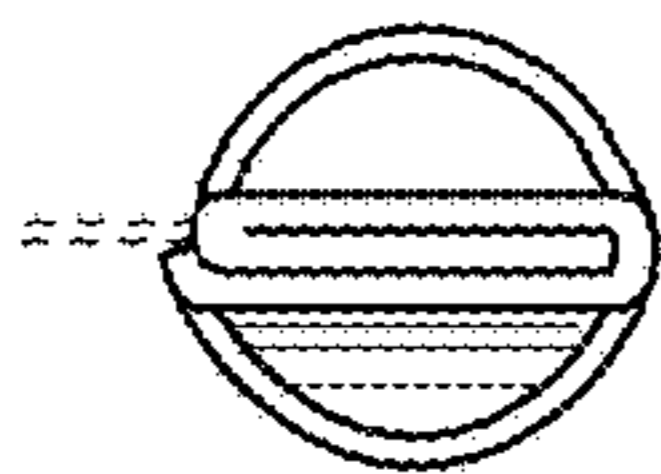


FIG. 6

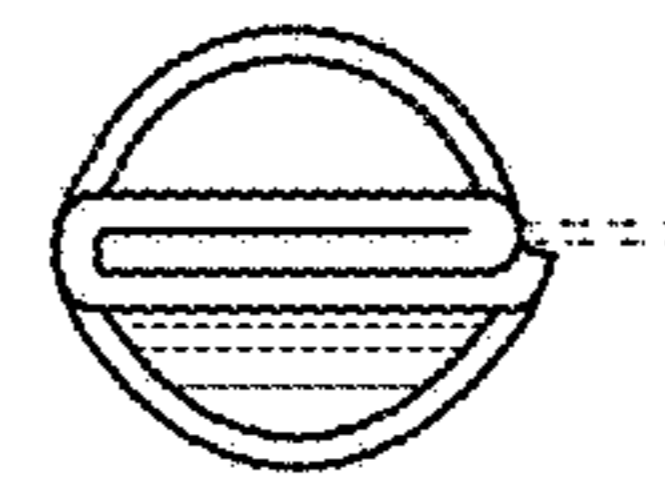


FIG. 7