



US00D794140S

(12) **United States Design Patent** (10) **Patent No.:** **US D794,140 S**
Monroe (45) **Date of Patent:** **** Aug. 8, 2017**

(54) **HEAD FOR A TOY**

D302,190 S * 7/1989 Catelli D21/429
D520,572 S * 5/2006 Balough D21/415
D738,443 S * 9/2015 James D21/658

(71) Applicant: **Matthew Monroe**, Los Angeles, CA
(US)

* cited by examiner

(72) Inventor: **Matthew Monroe**, Los Angeles, CA
(US)

Primary Examiner — Sandra Morris
(74) *Attorney, Agent, or Firm* — David O. Simmons

(**) Term: **15 Years**

(57) **CLAIM**

The ornamental design for a head for a toy, as shown and described.

(21) Appl. No.: **29/546,089**

DESCRIPTION

(22) Filed: **Nov. 18, 2015**

(51) **LOC (10) Cl.** **21-01**

(52) **U.S. Cl.**
USPC **D21/659**

(58) **Field of Classification Search**
USPC D6/598; D11/158; D21/576–585,
D21/587–588, 614, 620, 658–661,
D21/415–416, 428–429; D30/160;
446/97, 356, 369–369, 376
CPC ... A63H 3/40; A63H 3/42; A63H 7/00; A63H
13/00; A63H 33/14; A63H 33/26
See application file for complete search history.

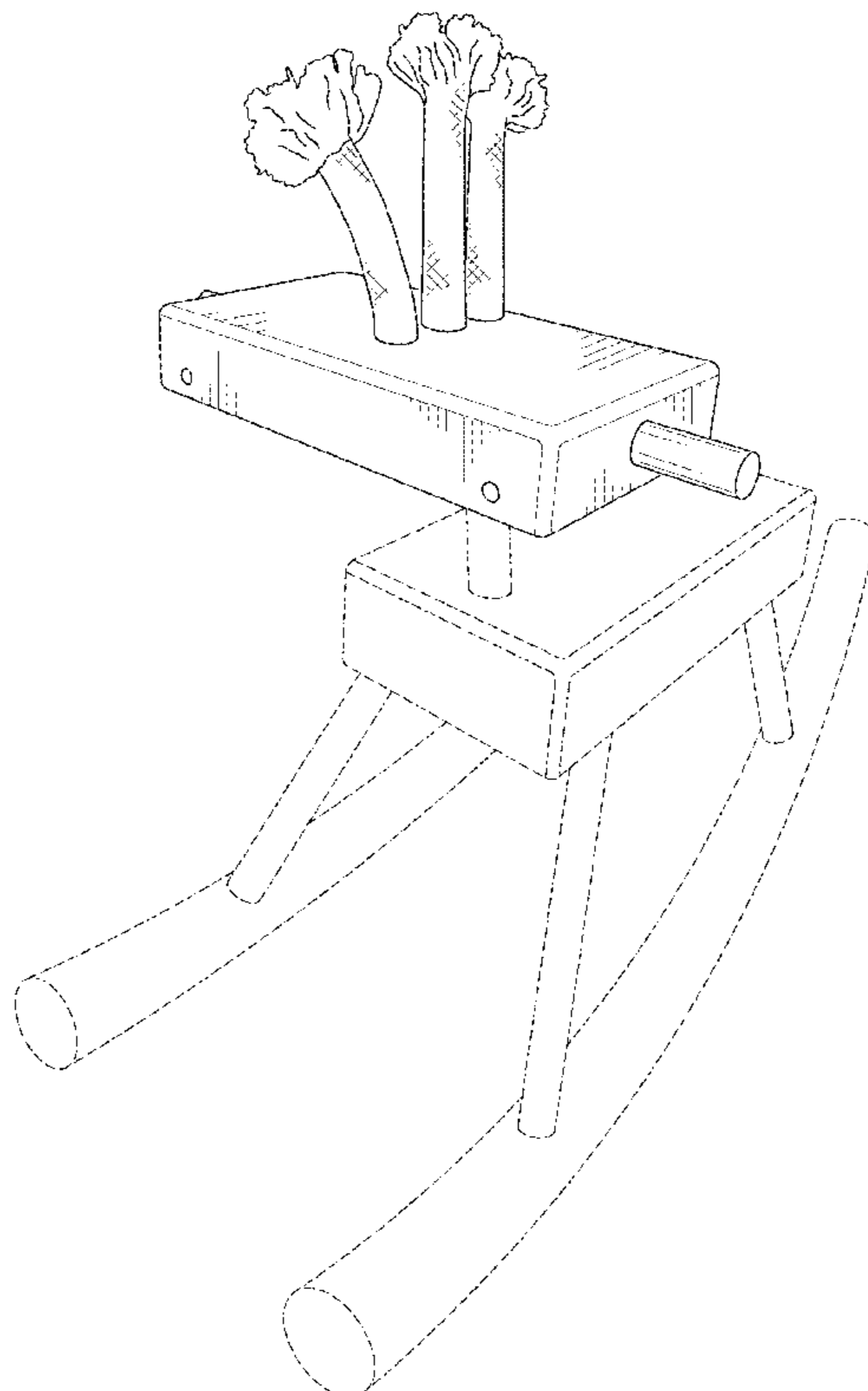
FIG. 1 is a front perspective view of a head for a toy in accordance with the present invention;
FIG. 2 is front elevation view of the head for the toy shown in FIG. 1;
FIG. 3 is rear elevation view of the head for the toy shown in FIG. 1;
FIG. 4 is a right side elevation view of the head for the toy shown in FIG. 1;
FIG. 5 is a left side elevation view of the head for the toy shown in FIG. 1;
FIG. 6 is a top plan view of the head for the toy shown in FIG. 1;
FIG. 7 is a bottom plan view of the head for the toy shown in FIG. 1; and,
FIG. 8 is the front perspective view of the head for the toy shown in FIG. 1 shown in combination with a body for a toy in broken lines, the broken lines depicting environmental subject matter that forms no part of the claimed design.

(56) **References Cited**

U.S. PATENT DOCUMENTS

D176,115 S * 11/1955 Hall D21/416
D207,784 S * 5/1967 Rockwell D21/429
D270,848 S * 10/1983 Echterling D21/428
D278,161 S * 3/1985 Benicaso D21/428
D295,427 S * 4/1988 Vullierme D21/416

1 Claim, 8 Drawing Sheets



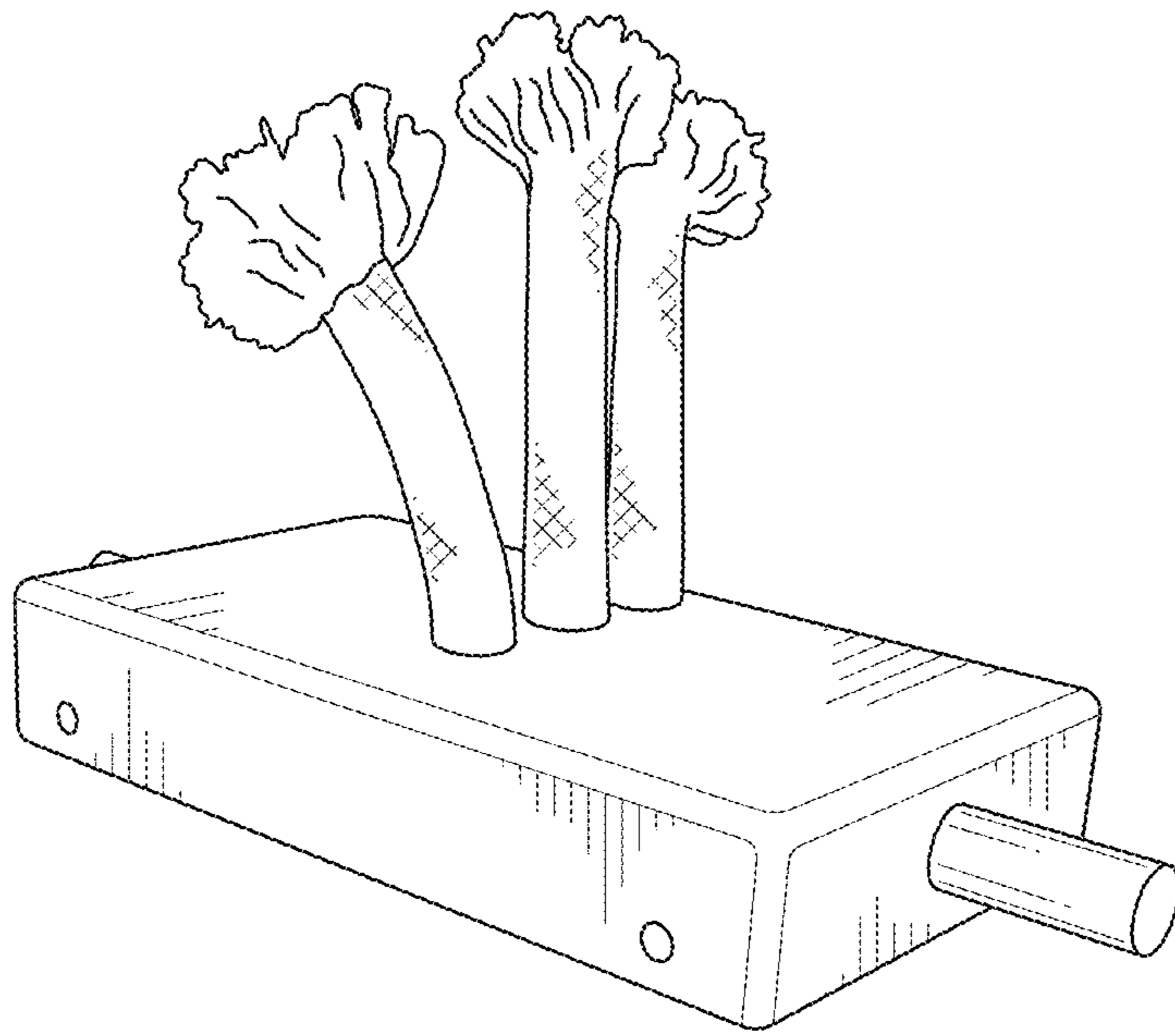


FIG. 1

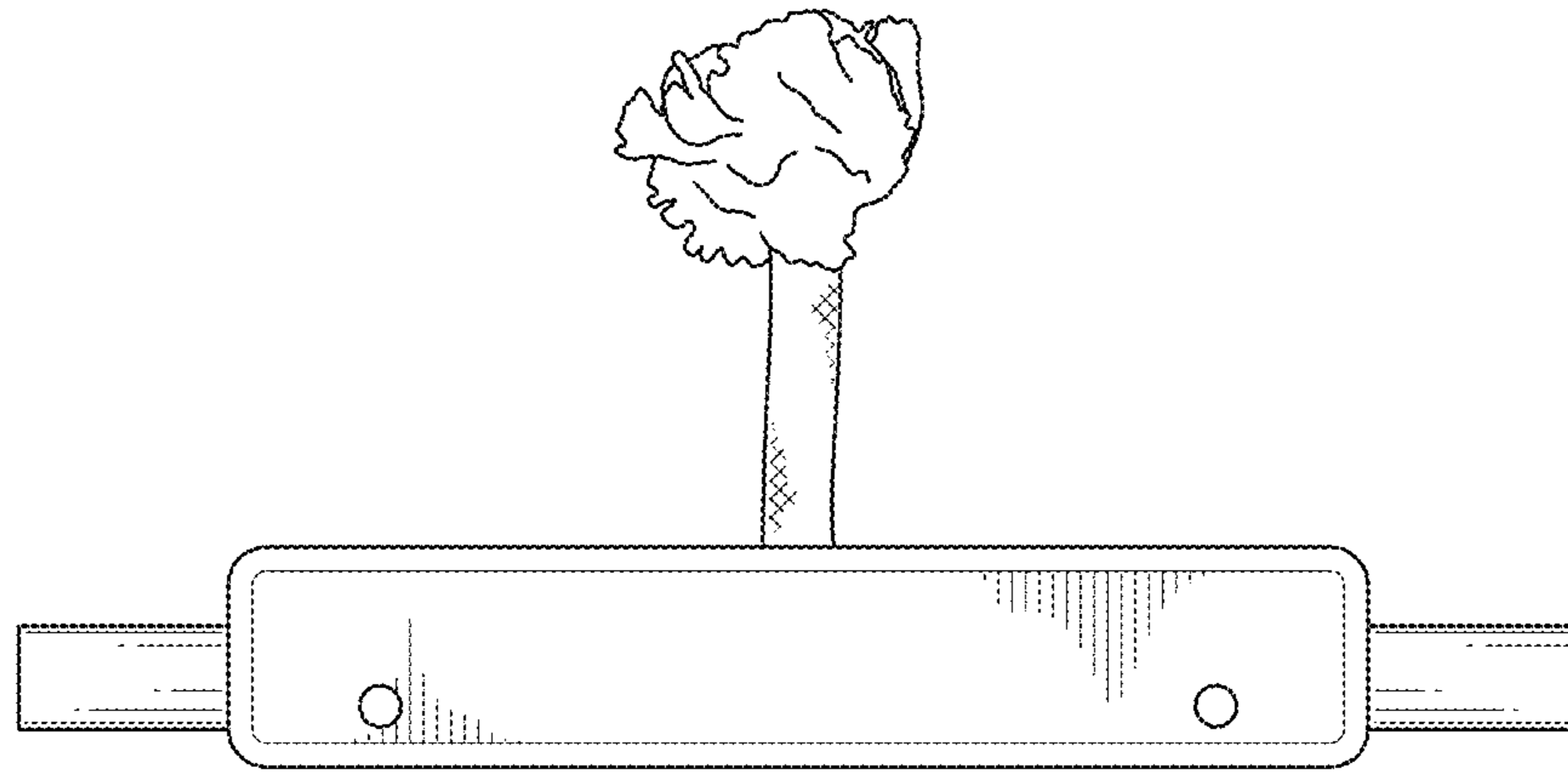


FIG.2

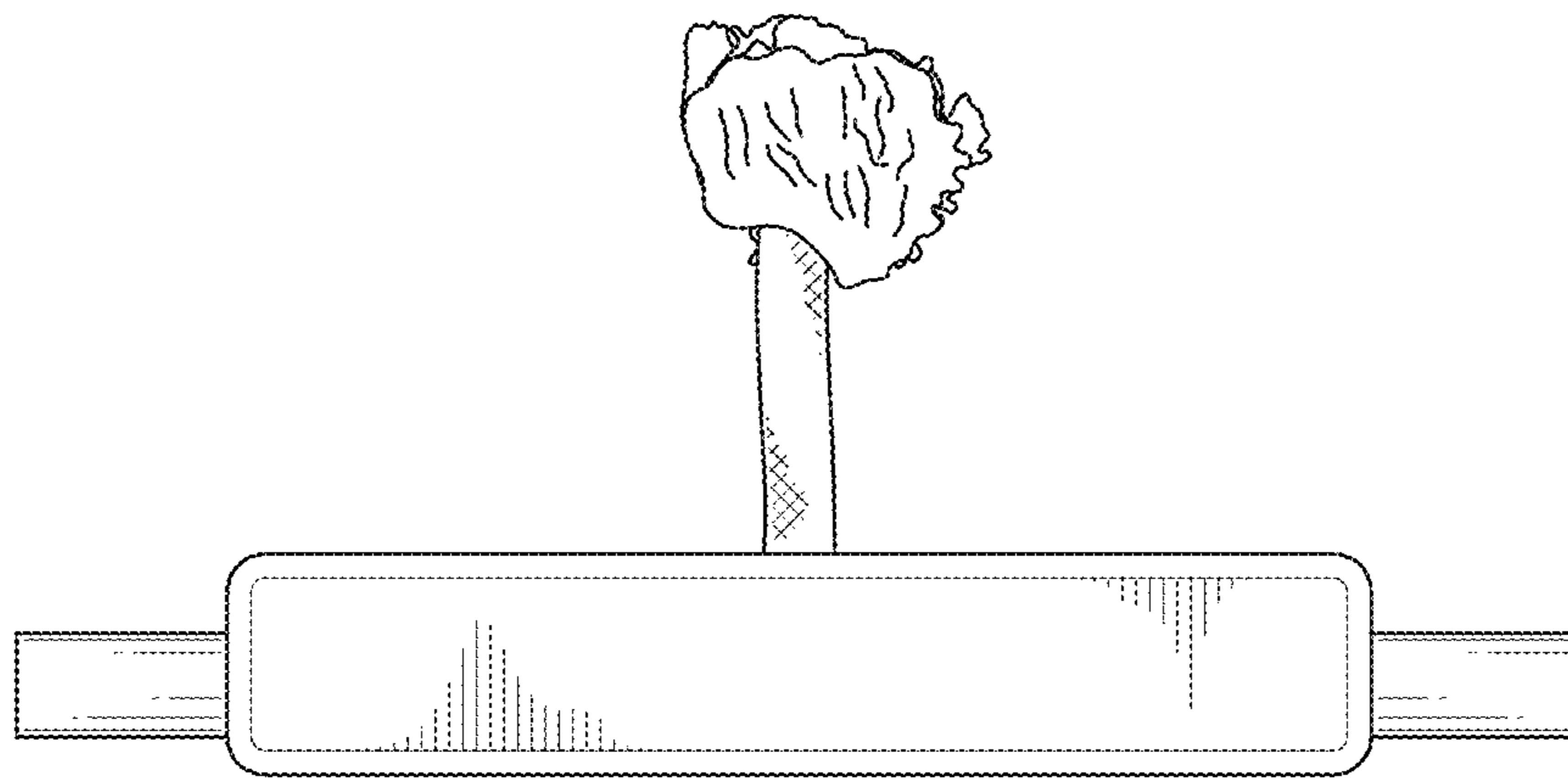


FIG. 3

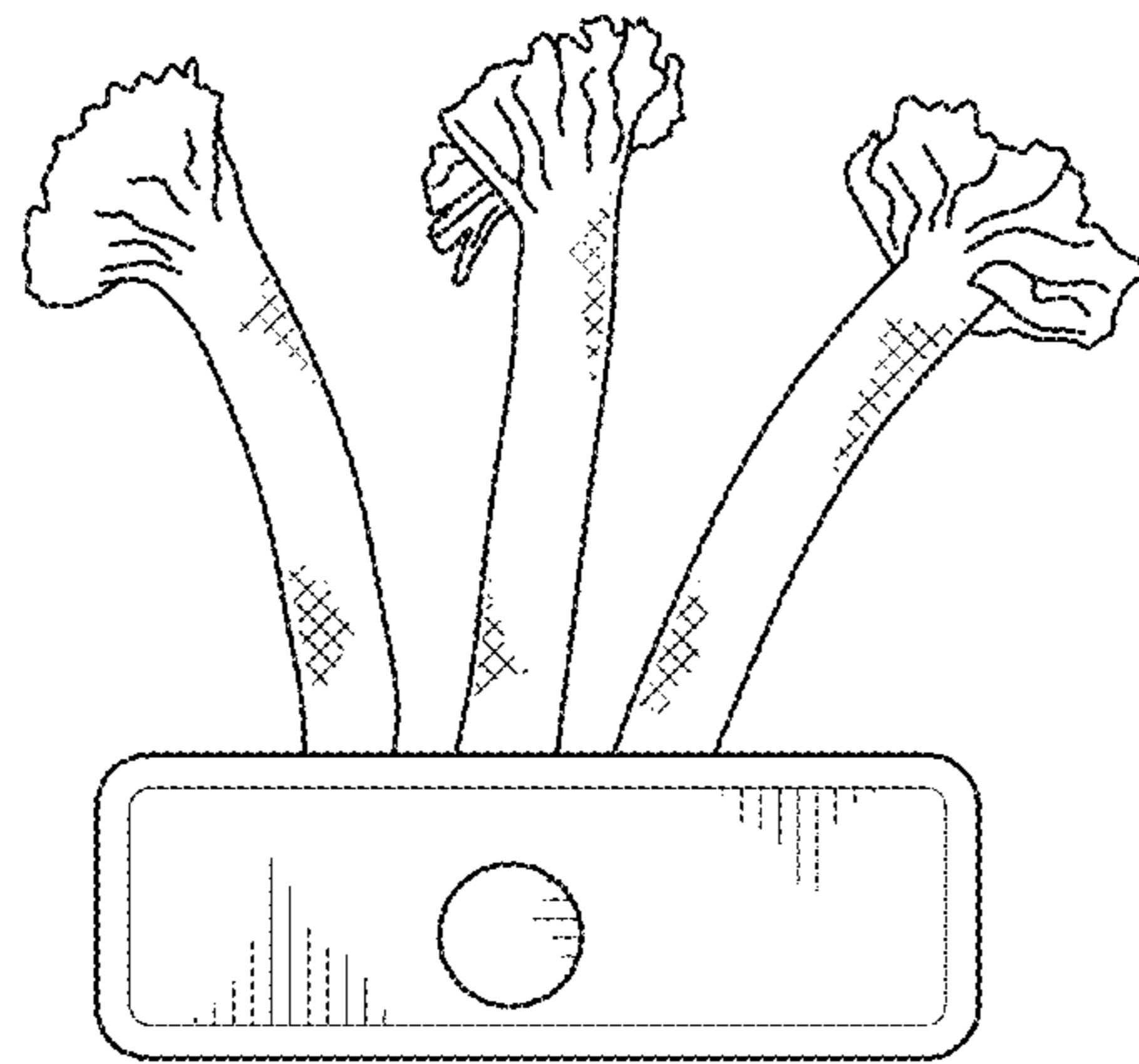


FIG.4

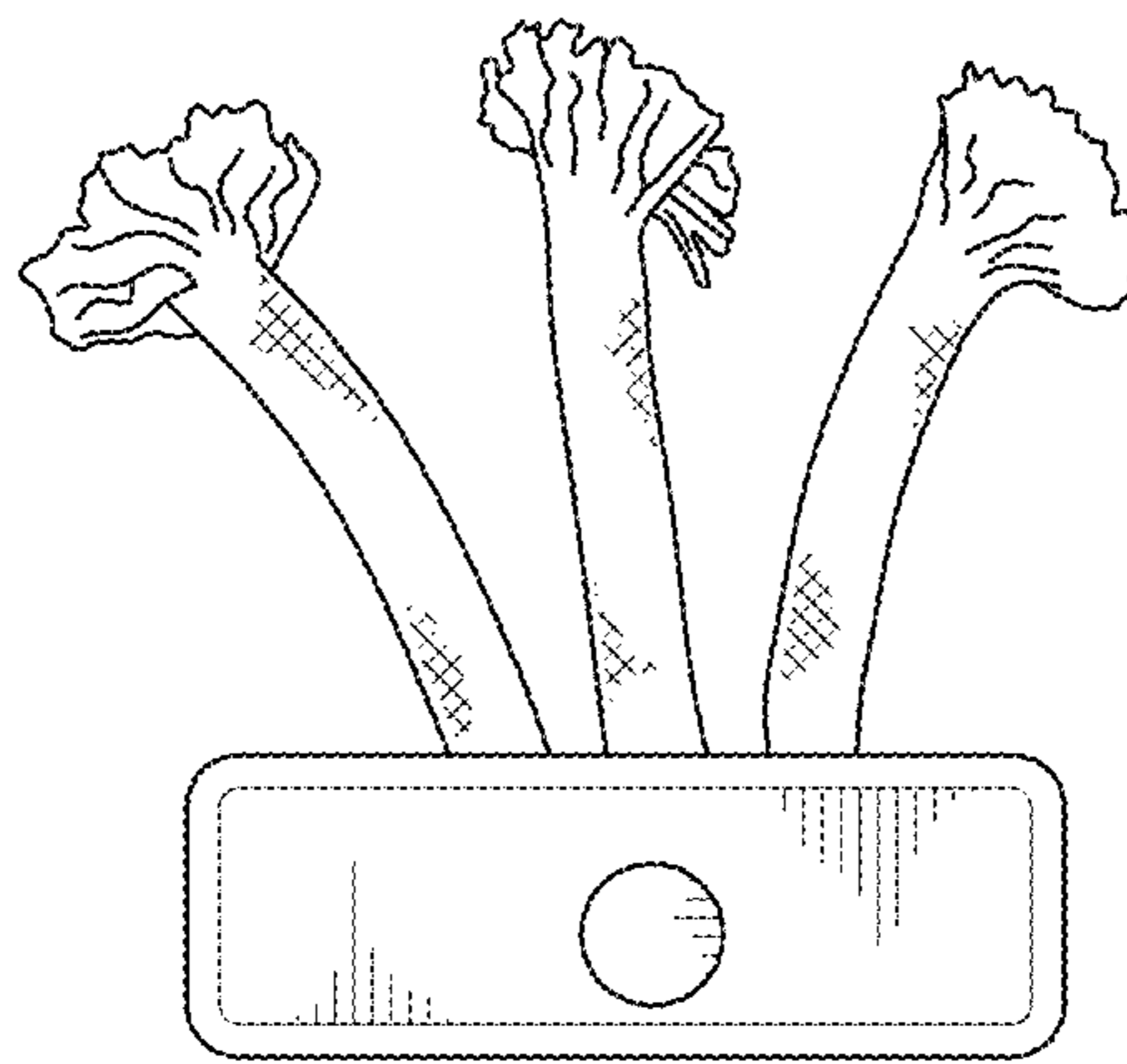


FIG. 5

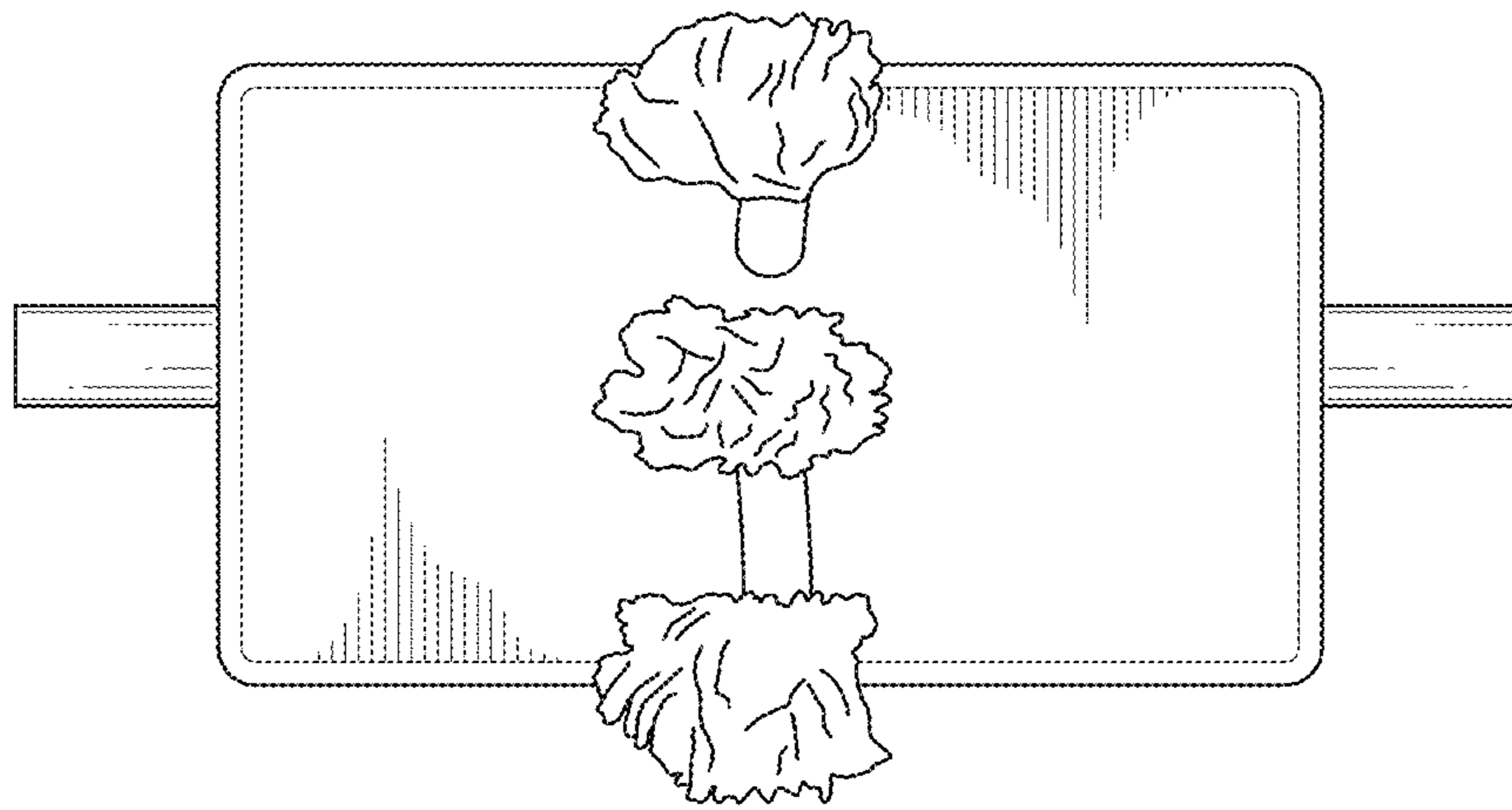


FIG. 6

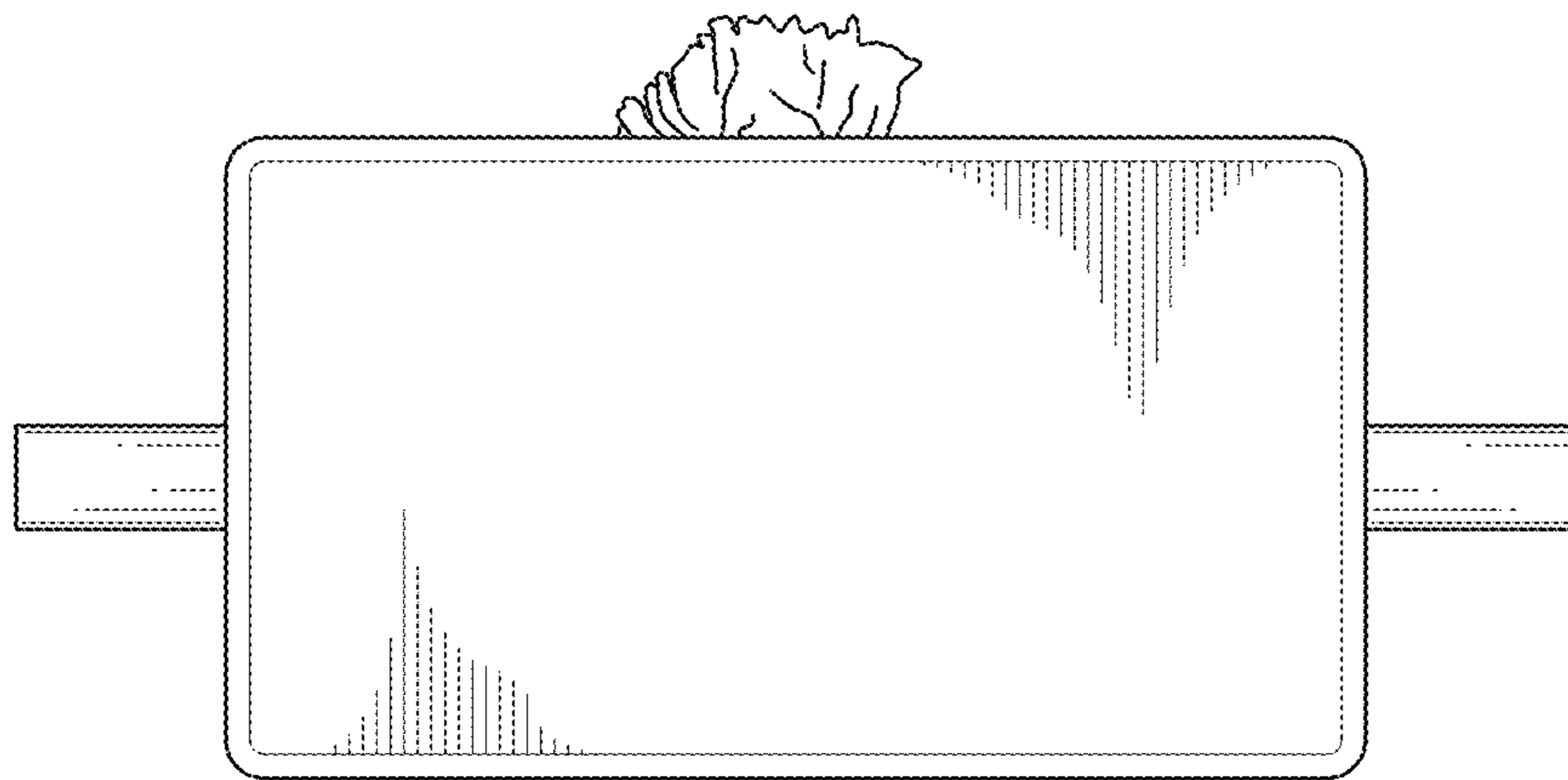


FIG. 7

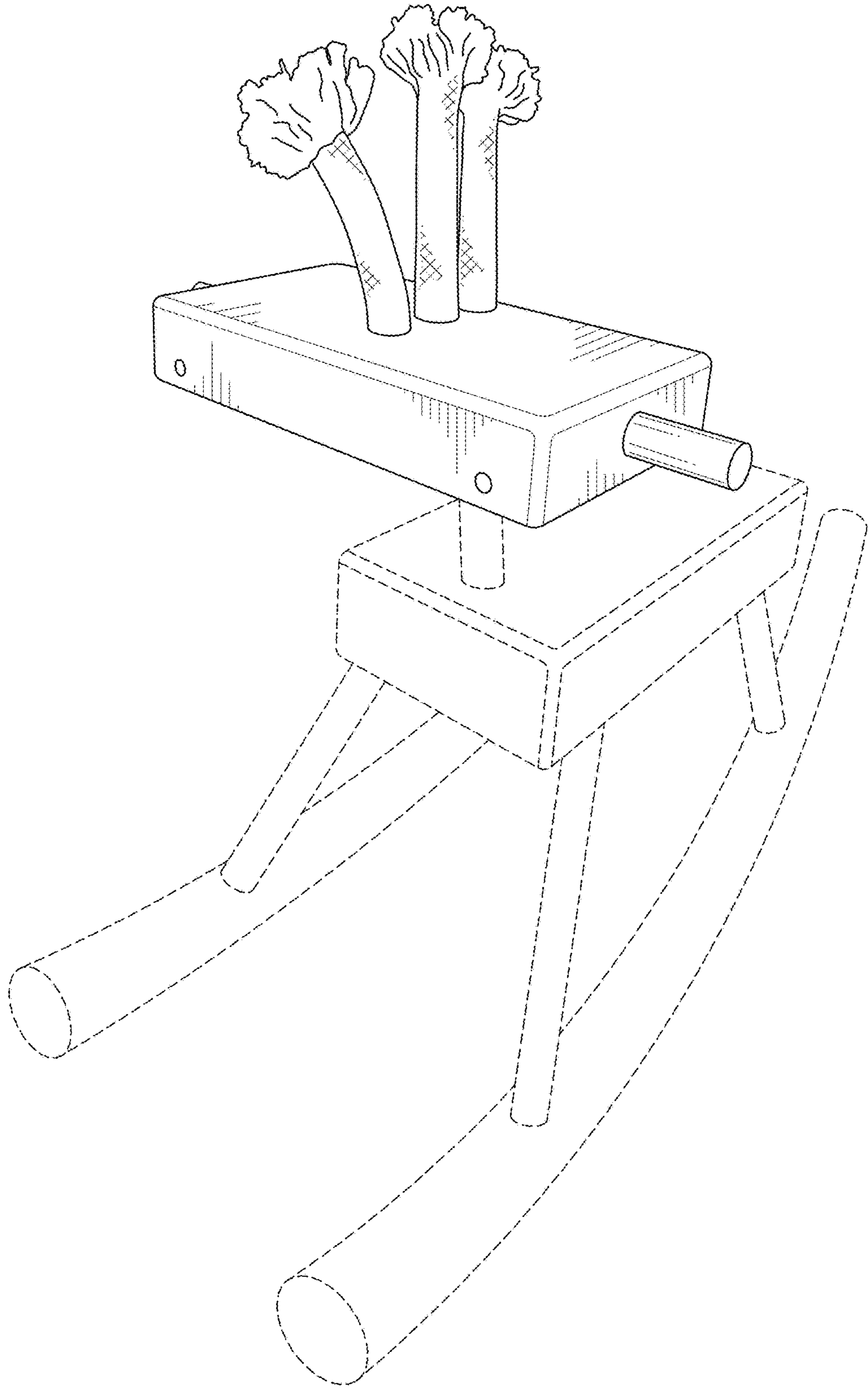


FIG.8