



US00D794137S

(12) **United States Design Patent** (10) **Patent No.:** **US D794,137 S**
Ha et al. (45) **Date of Patent:** **** Aug. 8, 2017**

(54) **ROBOT TOY**

- (71) Applicant: **CJ E&M Corporation**, Seoul (KR)
- (72) Inventors: **Se Jung Ha**, Seoul (KR); **Bu Kyung Kim**, Seoul (KR); **Yoon Sun Shim**, Gyeonggi-do (KR); **Ye Rim Woo**, Seoul (KR)
- (73) Assignee: **CJ E&M Corporation**, Seoul (KR)
- (**) Term: **15 Years**
- (21) Appl. No.: **29/535,445**
- (22) Filed: **Aug. 6, 2015**
- (30) **Foreign Application Priority Data**

- Jul. 9, 2015 (KR) 30-2015-0034745
- (51) **LOC (10) Cl.** **21-01**
- (52) **U.S. Cl.**
USPC **D21/578; D21/580**
- (58) **Field of Classification Search**
USPC D21/658-659, 630, 578-579, 580-581
CPC A63H 33/003; Y10S 901/01
See application file for complete search history.

(56) **References Cited**

U.S. PATENT DOCUMENTS

- 4,516,948 A * 5/1985 Obara A63H 33/003
446/376
- D297,039 S * 8/1988 Matsumoto D21/578
- D622,786 S * 8/2010 Lee D21/578
- D647,149 S * 10/2011 Wong D15/199
- D680,177 S * 4/2013 Wong D15/199
- 2007/0220637 A1 * 9/2007 Endo B25J 9/161
318/568.17
- 2007/0260355 A1 * 11/2007 Morimoto G06N 3/008
700/245
- 2009/0209167 A1 * 8/2009 Ejima A63H 17/02
446/93

OTHER PUBLICATIONS

8pcs/set Super Wings Mini Planes Toys Deformation Airplane Robot Action Figures Boys&Girls Birthday Gift Brinquedos, posted date unknown, amazon.com, Copyright © 1996-2016, site visited Oct. 18, 2016, Available from Internet, <http://item2.gmarket.co.kr/Item/DetailView/Item.aspx?goodscode=658116551>.*
Favorite Cars Song Disney Pixar Cars Collection Song DisneyCarToys Original Pixar Cars 2 McQueen, posted date Nov. 2, 2013, youtube.com, site visited Oct. 21, 2016, Available from Internet, <https://www.youtube.com/watch?v=jnllQBUOS60>.*

(Continued)

Primary Examiner — Cathron Brooks

Assistant Examiner — Sharon S Oum

(74) *Attorney, Agent, or Firm* — Jeremy Jay

(57) **CLAIM**

The ornamental design for a robot toy, as shown and described.

DESCRIPTION

The patent or application file contains at least one drawing executed in color. Copies of this patent or patent application publication with color drawing(s) will be provided by the Office upon request and payment of the necessary fee.

FIG. 1 is a perspective view of a robot toy of the present invention.

FIG. 2 is a front elevational view thereof;

FIG. 3 is a rear elevational view thereof;

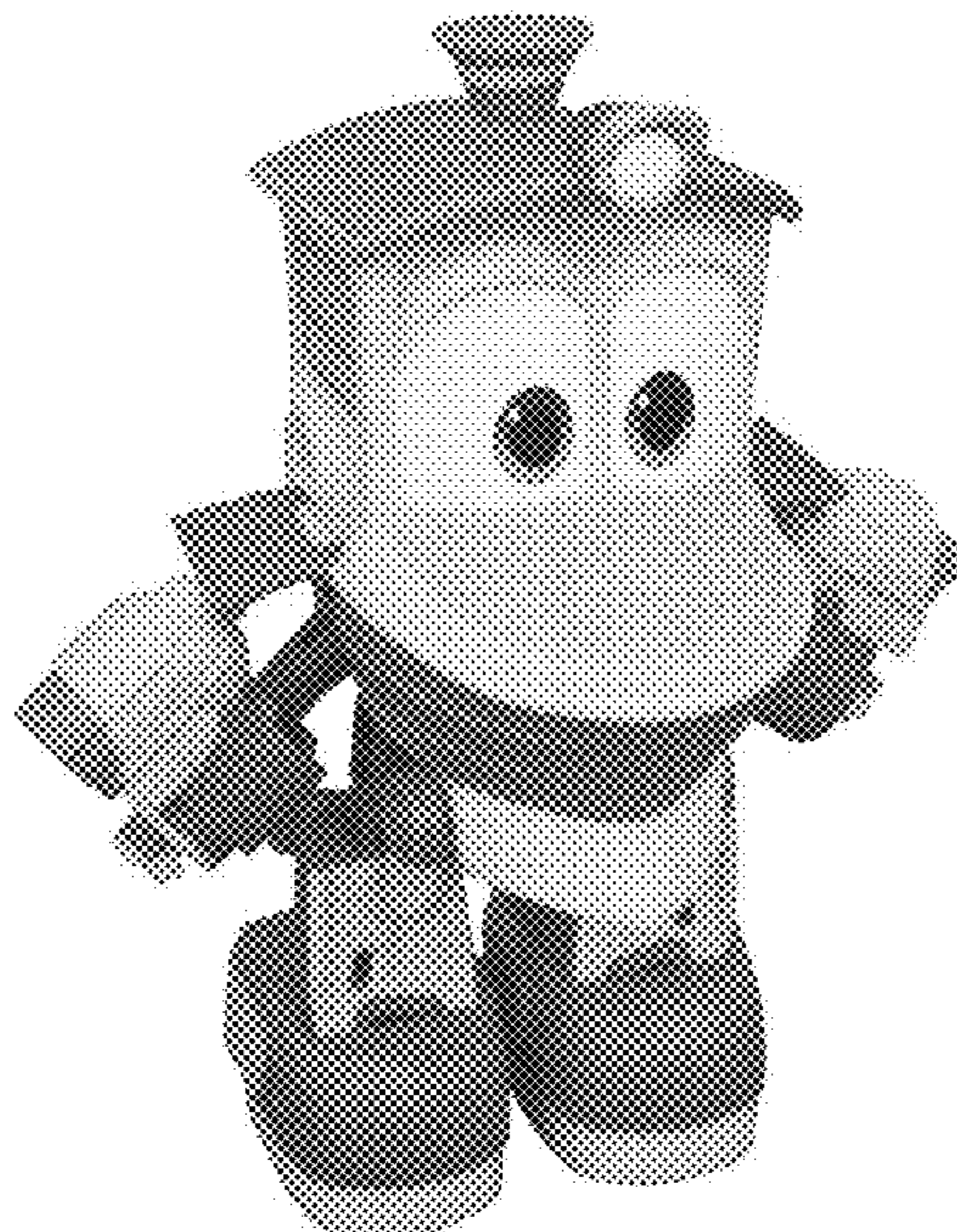
FIG. 4 is a left side view thereof;

FIG. 5 is a right side view thereof;

FIG. 6 is a top plan view thereof; and,

FIG. 7 is a bottom plan view thereof.

1 Claim, 7 Drawing Sheets
(7 of 7 Drawing Sheet(s) Filed in Color)



(56)

References Cited

OTHER PUBLICATIONS

Korean Intellectual Property Office, Korean Office Action in Korean Application No. 30-2015-0034745, mailed Dec. 1, 2015.
Reference Design, <http://item2.gmarket.co.kr/Item/DetailView/Item.aspx?goodscode=658116551>, released Jan. 2015.

* cited by examiner

FIG. 1

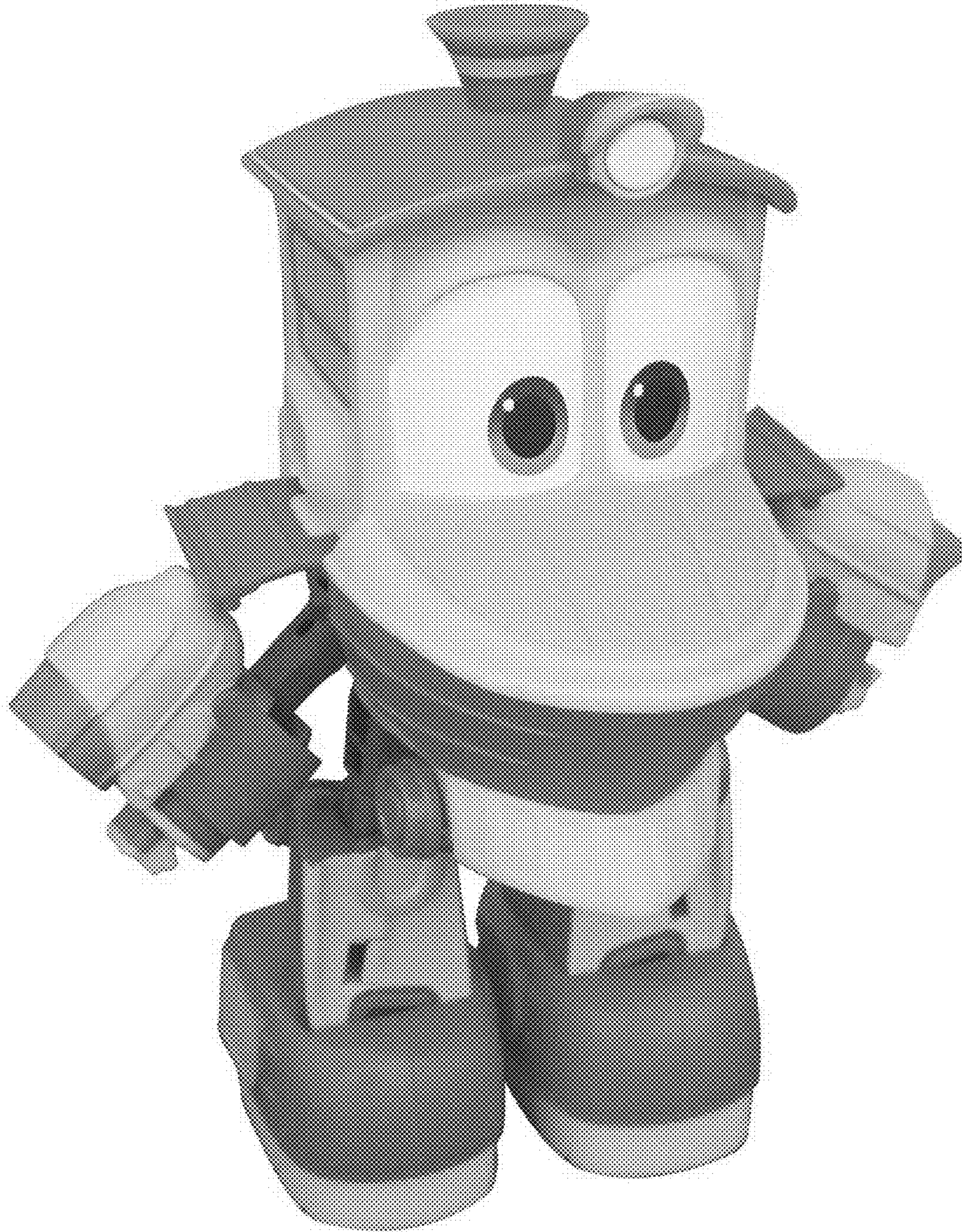


FIG. 2

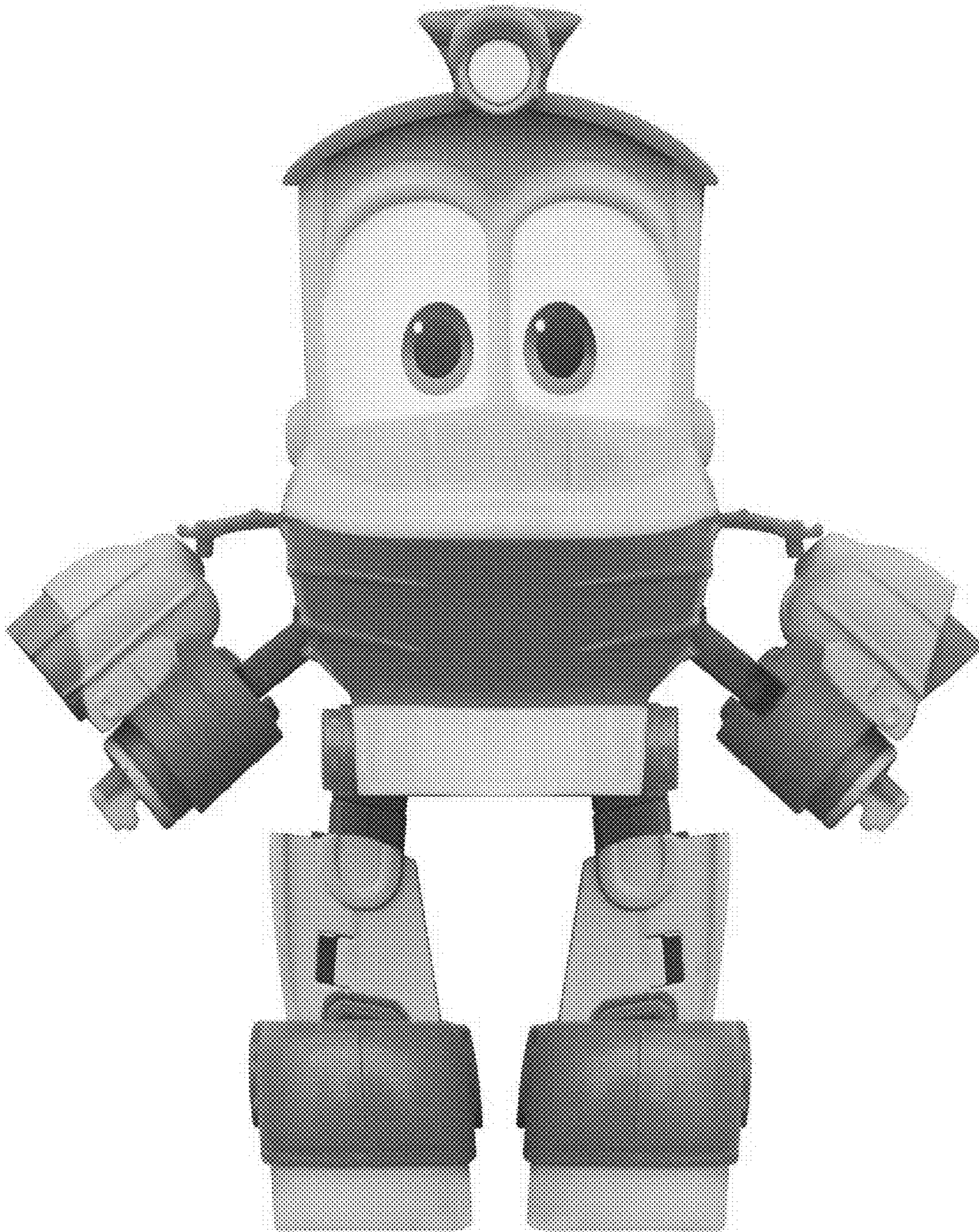


FIG. 3

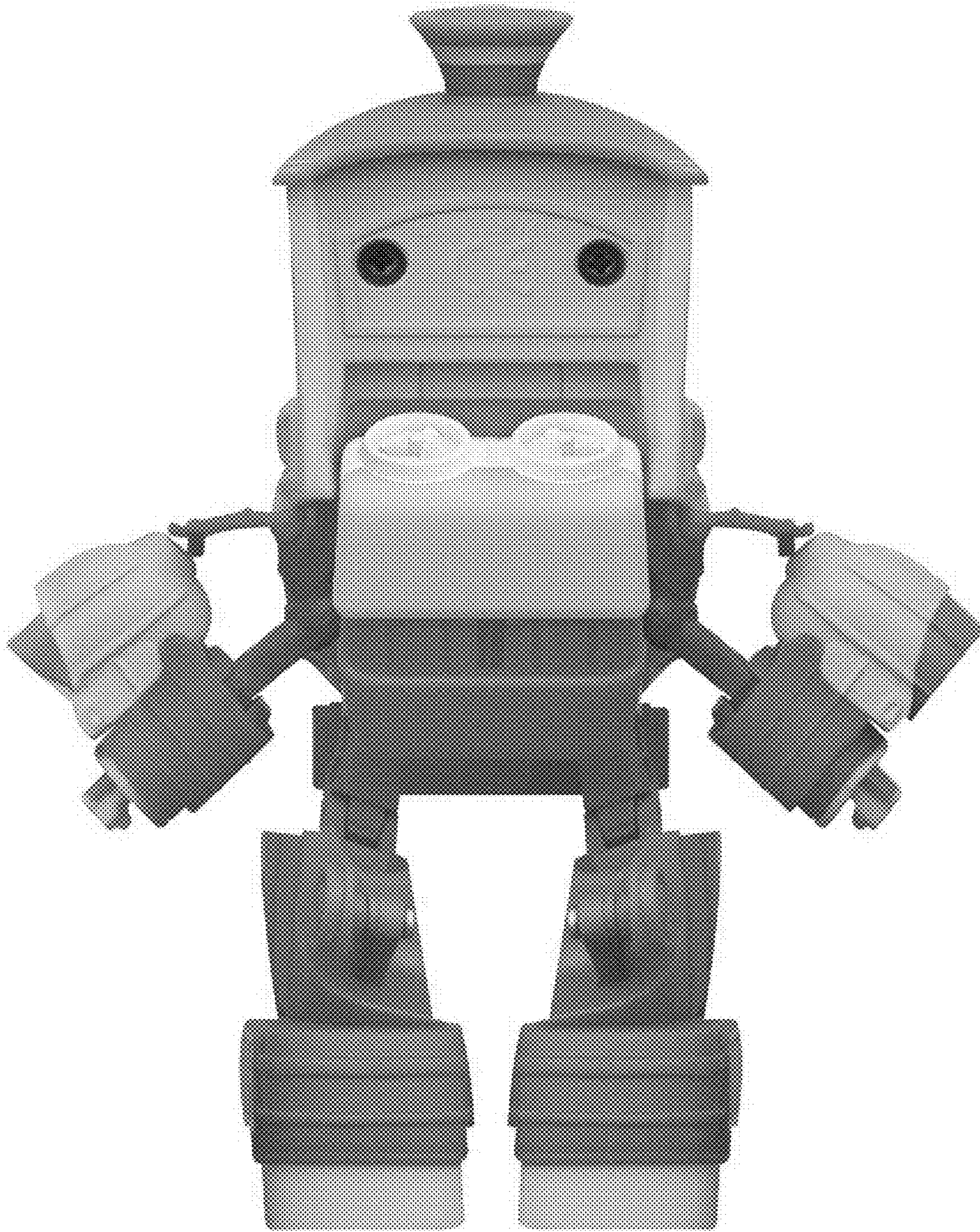


FIG. 4

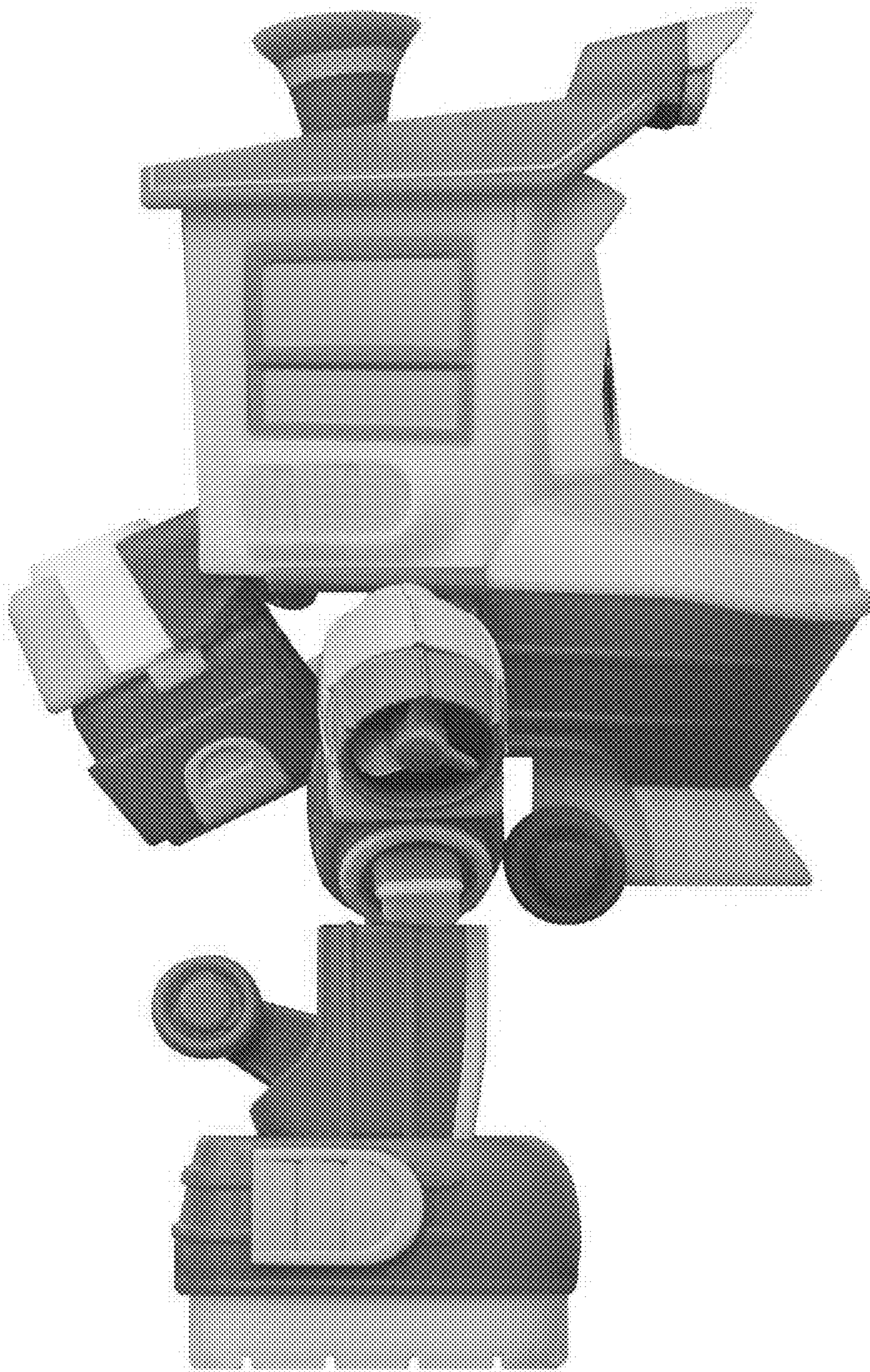


FIG. 5

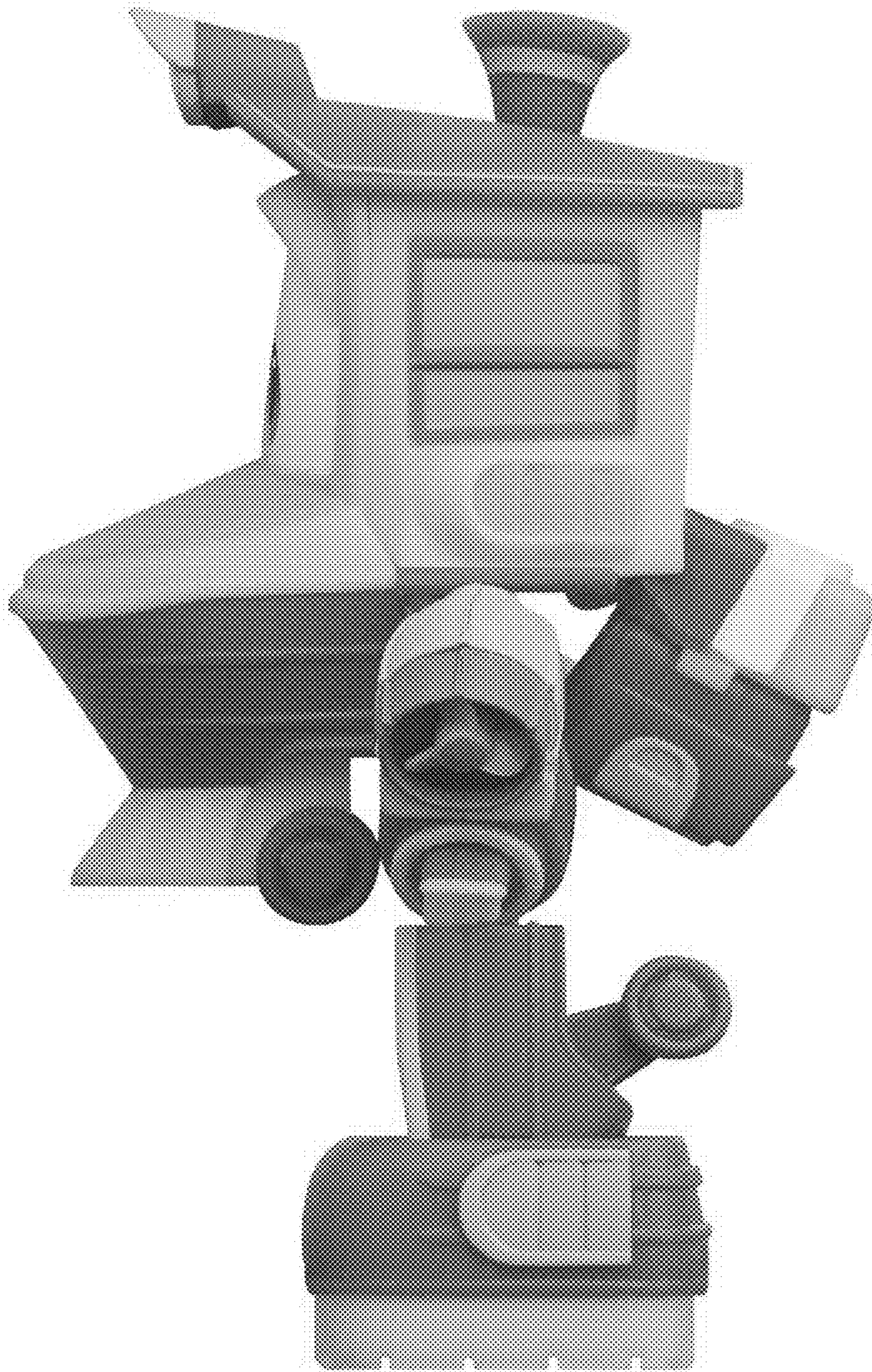


FIG. 6

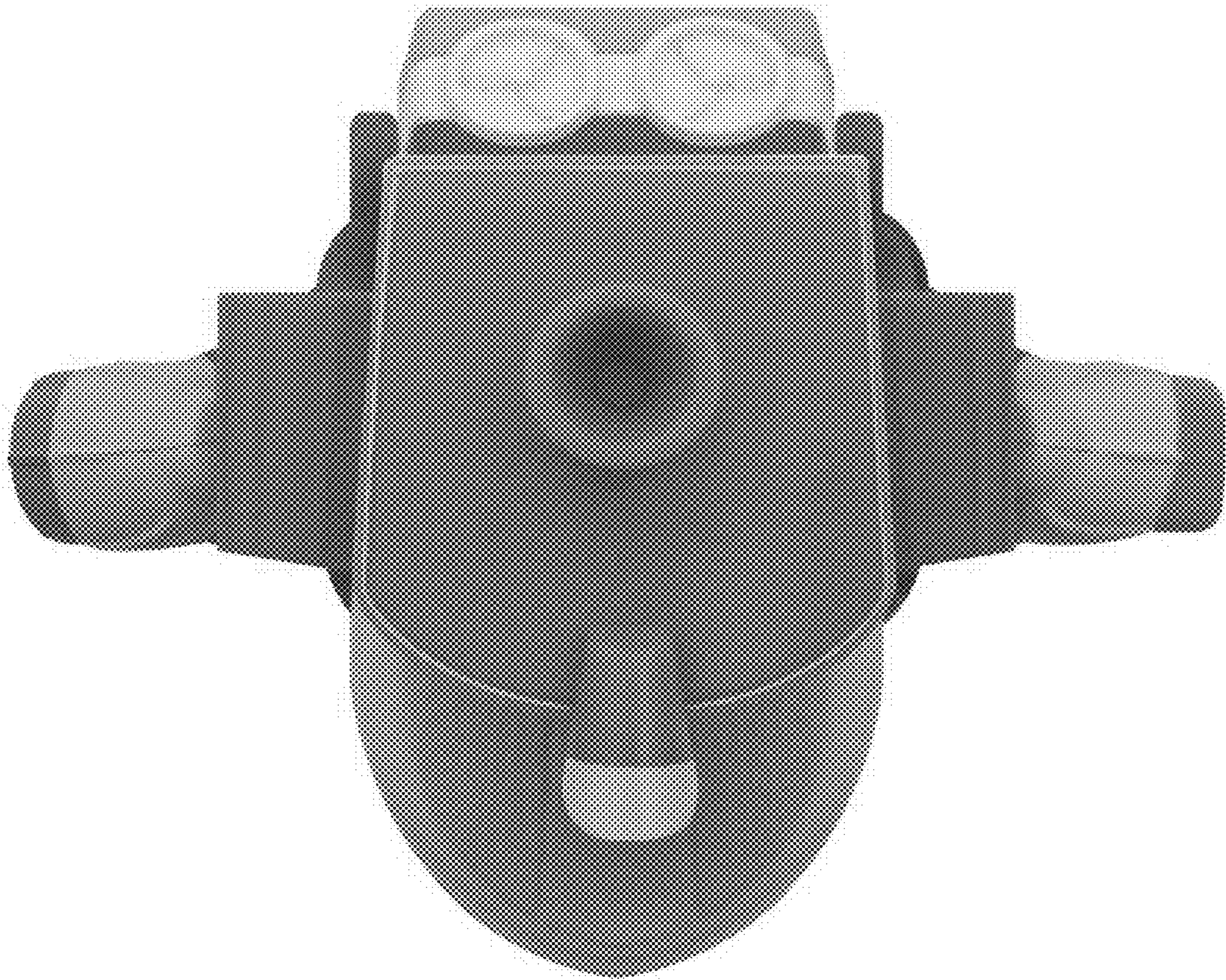


FIG. 7

