



US00D794133S

(12) **United States Design Patent** (10) **Patent No.:** **US D794,133 S**
Ostergaard et al. (45) **Date of Patent:** **** Aug. 8, 2017**

(54) **FOLDING WAGON**

FOREIGN PATENT DOCUMENTS

(71) Applicant: **RADIO FLYER INC.**, Chicago, IL (US)

JP 2001-1706 1/2001
JP 2009-137521 6/2009
JP 2010-184696 8/2010

(72) Inventors: **Collin Ostergaard**, Chicago, IL (US);
Anne Goodman, Chicago, IL (US)

OTHER PUBLICATIONS

(73) Assignee: **Radio Flyer Inc.**, Chicago, IL (US)

First Office Action from related Chinese Patent Application No. 201480042017.1 dated Oct. 24, 2016, with translation.

(**) Term: **15 Years**

Primary Examiner — Cynthia M Chin

(21) Appl. No.: **29/555,437**

(74) *Attorney, Agent, or Firm* — McDermott Will & Emery LLP

(22) Filed: **Feb. 22, 2016**

(51) **LOC (10) Cl.** **21-01**

(52) **U.S. Cl.**

USPC **D21/425**

(58) **Field of Classification Search**

USPC D21/419, 424–246, 534–536; D12/17, D12/19, 20, 102, 105, 129; D34/12; 280/87.01, 87.021, 87.043, 47.17, 47.25, 280/47.34, 47.38, 47.4, 204, 639, 651
CPC .. B62B 3/00; B62B 3/02; B62B 3/007; B62B 5/08; B62B 5/082; B60P 3/00; B60P 3/34; B60P 3/42

See application file for complete search history.

(57) **CLAIM**

We claim the ornamental design for a folding wagon, as shown and described.

DESCRIPTION

FIG. 1 is a front perspective view of a folding wagon according to the new design.

FIG. 2 is a bottom perspective view of the folding wagon shown in FIG. 1.

FIG. 3 is a right side view of the folding wagon shown in FIG. 1.

FIG. 4 is a left side view of the folding wagon shown in FIG. 1.

FIG. 5 is a front view of the folding wagon shown in FIG. 1.

FIG. 6 is a rear view of the folding wagon shown in FIG. 1.

FIG. 7 is a top plan view of the folding wagon shown in FIG. 1; and,

FIG. 8 is a bottom plan view of the folding wagon shown in FIG. 1.

The walls of the folding wagon are made of fabric. Features shown in broken lines in the drawings are not part of the claim.

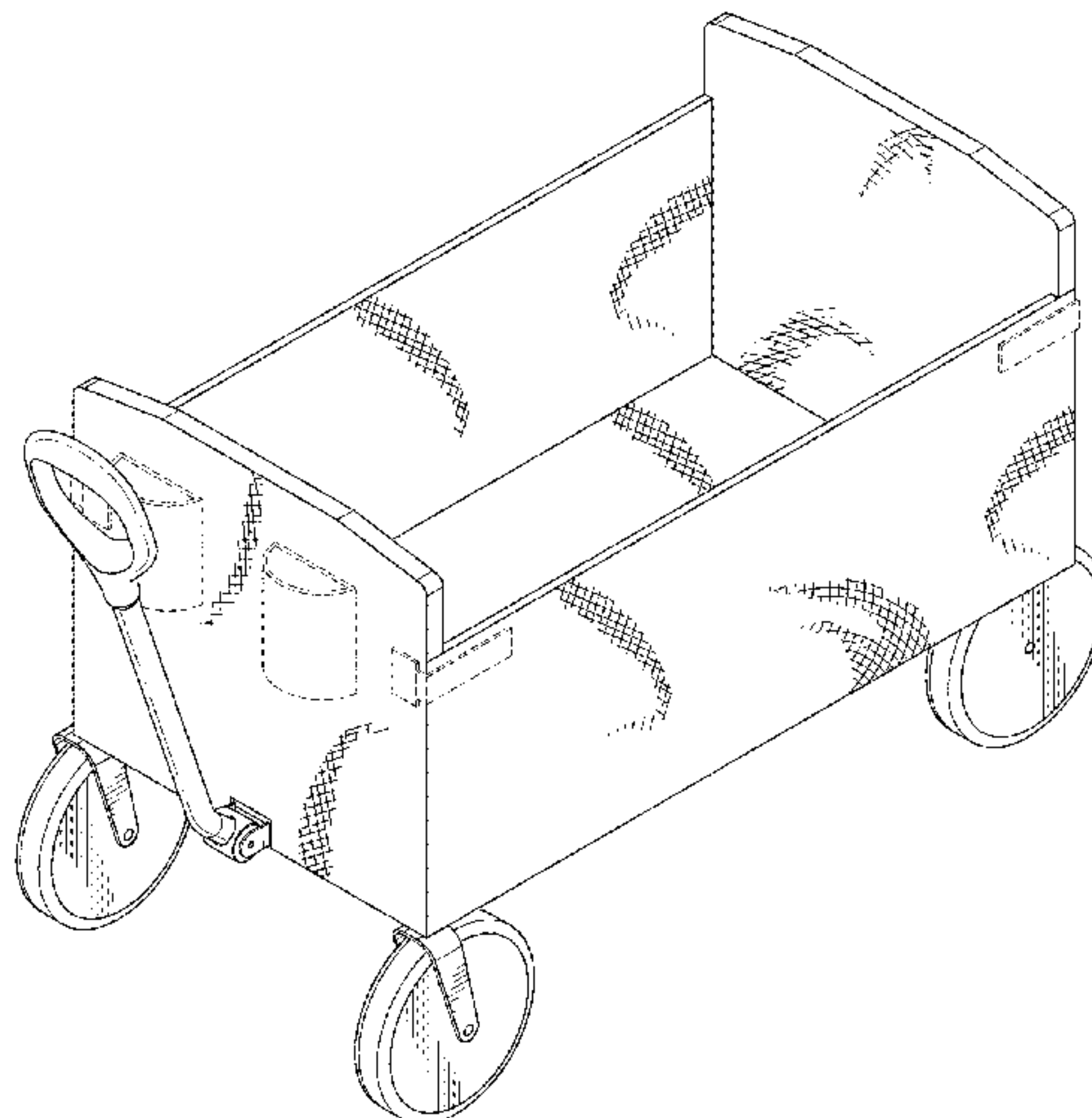
(56) **References Cited**

U.S. PATENT DOCUMENTS

1,371,198 A	3/1921	Daum
1,465,211 A	8/1923	Dunkelberger
1,489,443 A	4/1924	Kelly
1,771,813 A	7/1930	Norman
1,820,466 A	8/1931	Lieblein
2,020,766 A	11/1935	Brown
2,471,553 A	5/1949	Zuckerman
2,563,995 A	8/1951	East
2,575,189 A	11/1951	Schmidt
2,989,318 A	11/1959	Schenkman
2,942,679 A	6/1960	Gibson
2,984,514 A	5/1961	Lemley
3,116,935 A	1/1964	Mitchin et al.

(Continued)

1 Claim, 7 Drawing Sheets



(56)

References Cited

U.S. PATENT DOCUMENTS

3,162,460 A	12/1964	Davidson	7,523,955 B2	4/2009	Blair	
3,893,532 A	7/1975	Perlowin	7,547,037 B2	6/2009	Poppinga et al.	
4,227,709 A	10/1980	Gradwohl et al.	7,562,897 B1	7/2009	Sherman et al.	
4,449,322 A	5/1984	Blumenthal	7,661,156 B2	2/2010	Thorne et al.	
4,706,986 A	11/1987	Kassai	7,703,795 B2	4/2010	Williamson	
4,735,426 A	4/1988	McConnell	7,731,221 B2	6/2010	Bess	
4,741,552 A	5/1988	Kassai	7,775,530 B2	8/2010	Darling, III	
4,746,140 A	5/1988	Kassai	7,823,906 B2	11/2010	Darling, III	
4,763,907 A	8/1988	Raymond	7,836,530 B2	11/2010	Thorne et al.	
4,796,909 A	1/1989	Kirkendall	8,011,686 B2	9/2011	Chen et al.	
4,811,968 A	3/1989	Bolden	8,060,959 B2	11/2011	Thorne et al.	
4,824,137 A	4/1989	Bolden	8,091,916 B2	1/2012	Shapiro	
4,844,493 A	7/1989	Kramer	8,120,190 B2	2/2012	Bravo	
4,856,810 A	8/1989	Smith	8,191,907 B2	6/2012	Watson	
4,878,682 A	11/1989	Lee	8,220,824 B2	7/2012	Chen et al.	
4,887,836 A	12/1989	Simjian	8,286,739 B2	10/2012	Oliphant	
5,050,900 A	9/1991	Lee	8,297,642 B2	10/2012	Tyson, III	
5,333,893 A	8/1994	Chen	8,388,015 B2	3/2013	Chen	
5,360,222 A	11/1994	Bro et al.	8,453,771 B1	6/2013	Hirschfeld	
5,423,592 A	6/1995	Spurrier et al.	8,458,829 B2	6/2013	Thorne et al.	
5,538,267 A	7/1996	Pasin et al.	8,490,732 B2	7/2013	Sugimoto et al.	
5,657,828 A	8/1997	Nagamachi	8,556,740 B1 *	10/2013	Schneider	A63H 33/32 446/465
5,669,617 A	9/1997	Pasin et al.	8,672,081 B2	3/2014	Kume et al.	
5,746,282 A	5/1998	Fujiwara et al.	8,746,377 B1	6/2014	Dunbar	
5,833,251 A	11/1998	Peck	8,746,710 B2	6/2014	Schejbal	
5,857,695 A	1/1999	Crowell	8,851,503 B2	10/2014	Tyson, III	
5,876,049 A	3/1999	Spear et al.	8,944,459 B1	2/2015	Hagy	
5,911,432 A	6/1999	Song	8,955,855 B2	2/2015	Herlitz et al.	
5,915,723 A	6/1999	Austin	D723,762 S	3/2015	Treadwell	
5,947,493 A	9/1999	Pasin et al.	8,973,940 B2	3/2015	Chen et al.	
5,957,482 A	9/1999	Shorter	9,033,361 B2	5/2015	Frankel et al.	
6,010,145 A	1/2000	Liu	9,045,152 B2	6/2015	Sekine et al.	
6,079,720 A	6/2000	Spear et al.	9,056,621 B1 *	6/2015	Jin	B62B 3/027
6,079,777 A	6/2000	Simmons et al.	9,073,564 B2	7/2015	Yang et al.	
6,142,491 A	11/2000	Darling, III	9,108,656 B1	8/2015	Nolan et al.	
6,164,671 A	12/2000	Darling, III	D738,436 S *	9/2015	Cummings	D21/425
6,220,611 B1	4/2001	Shapiro	9,145,154 B1	9/2015	Horowitz	
6,270,092 B2	8/2001	Darling, III	9,211,897 B2	12/2015	Yang et al.	
6,276,471 B1	8/2001	Kratzenberg et al.	9,242,663 B1	1/2016	Nolan et al.	
6,318,740 B1	11/2001	Nappo	D748,739 S *	2/2016	Horowitz	D21/425
D458,648 S	6/2002	Chiappetta et al.	9,327,749 B2	5/2016	Young et al.	
6,488,293 B1	12/2002	Mitchell et al.	9,365,225 B2 *	6/2016	Henao	B62B 3/02
6,491,318 B1	12/2002	Galt et al.	D763,532 S *	8/2016	Huang	D34/12
6,499,750 B1	12/2002	Michelau	9,580,095 B2 *	2/2017	Vargas, II	B62B 3/02
6,536,796 B1	3/2003	Solomon	2003/0025301 A1	2/2003	Banuelos, III	
6,561,529 B2	5/2003	Darling, III	2004/0164512 A1	8/2004	Gunter et al.	
6,581,945 B1	6/2003	Shapiro	2005/0275195 A1	12/2005	Matula	
6,629,574 B2	10/2003	Turner	2006/0119056 A1	6/2006	Olsen	
D483,419 S	12/2003	Chiappetta et al.	2007/0284900 A1	12/2007	Sze	
6,663,139 B1 *	12/2003	Smith	2008/0041644 A1	2/2008	Tudek et al.	
		B62B 3/002 280/651	2008/0217886 A1 *	9/2008	Poppinga	B62B 3/02 280/651
6,733,026 B1	5/2004	Robberson et al.	2008/0258435 A1 *	10/2008	Blair	B62B 3/007 280/639
6,845,991 B1	1/2005	Ritucci et al.	2009/0066114 A1	3/2009	Molton	
6,893,030 B2	5/2005	Shapiro	2010/0123294 A1	5/2010	Ellington et al.	
6,916,028 B2	7/2005	Shapiro	2010/0140902 A1	6/2010	Zehfuss	
6,932,365 B2	8/2005	Chiappetta et al.	2010/0156069 A1	6/2010	Chen	
7,017,939 B2	3/2006	Darling, III	2011/0025005 A1 *	2/2011	Howell	B62B 3/007 280/47.24
7,066,485 B2	6/2006	Shapiro	2011/0204598 A1	8/2011	Stevenson	
7,097,182 B1	8/2006	Liu	2012/0235372 A1	9/2012	Herlitz et al.	
7,118,115 B2	10/2006	Abel	2012/0274052 A1	11/2012	Zhu	
7,150,339 B2	12/2006	Liao et al.	2013/0179016 A1	7/2013	Gale	
7,150,465 B2	12/2006	Darling, III	2013/0239322 A1	9/2013	Thorne et al.	
7,163,213 B2	1/2007	Chambers	2014/0001735 A1 *	1/2014	Yang	B62B 3/02 280/651
7,210,545 B1	5/2007	Waid	2014/0196968 A1	7/2014	Bieler et al.	
7,226,059 B1	6/2007	Samuels	2014/0353945 A1	12/2014	Young et al.	
D547,812 S	7/2007	Seckel et al.	2015/0035258 A1 *	2/2015	Chen	B62B 3/02 280/651
D566,200 S	4/2008	Seckel et al.	2015/0053042 A1	2/2015	Shirakawa et al.	
D570,424 S	6/2008	Blair	2015/0084298 A1	3/2015	Herlitz et al.	
D573,663 S	7/2008	Ogawa	2015/0145224 A1	5/2015	Zhu	
7,392,994 B2	7/2008	Darling, III	2015/0151771 A1	6/2015	Jin	
7,407,177 B2	8/2008	Darling, III	2016/0347338 A1	12/2016	Vargas, II	
7,461,857 B2	12/2008	Darling, III				
7,475,900 B2	1/2009	Cheng				
7,487,977 B2	2/2009	Johnson				
7,490,684 B2	2/2009	Seymour et al.				

* cited by examiner

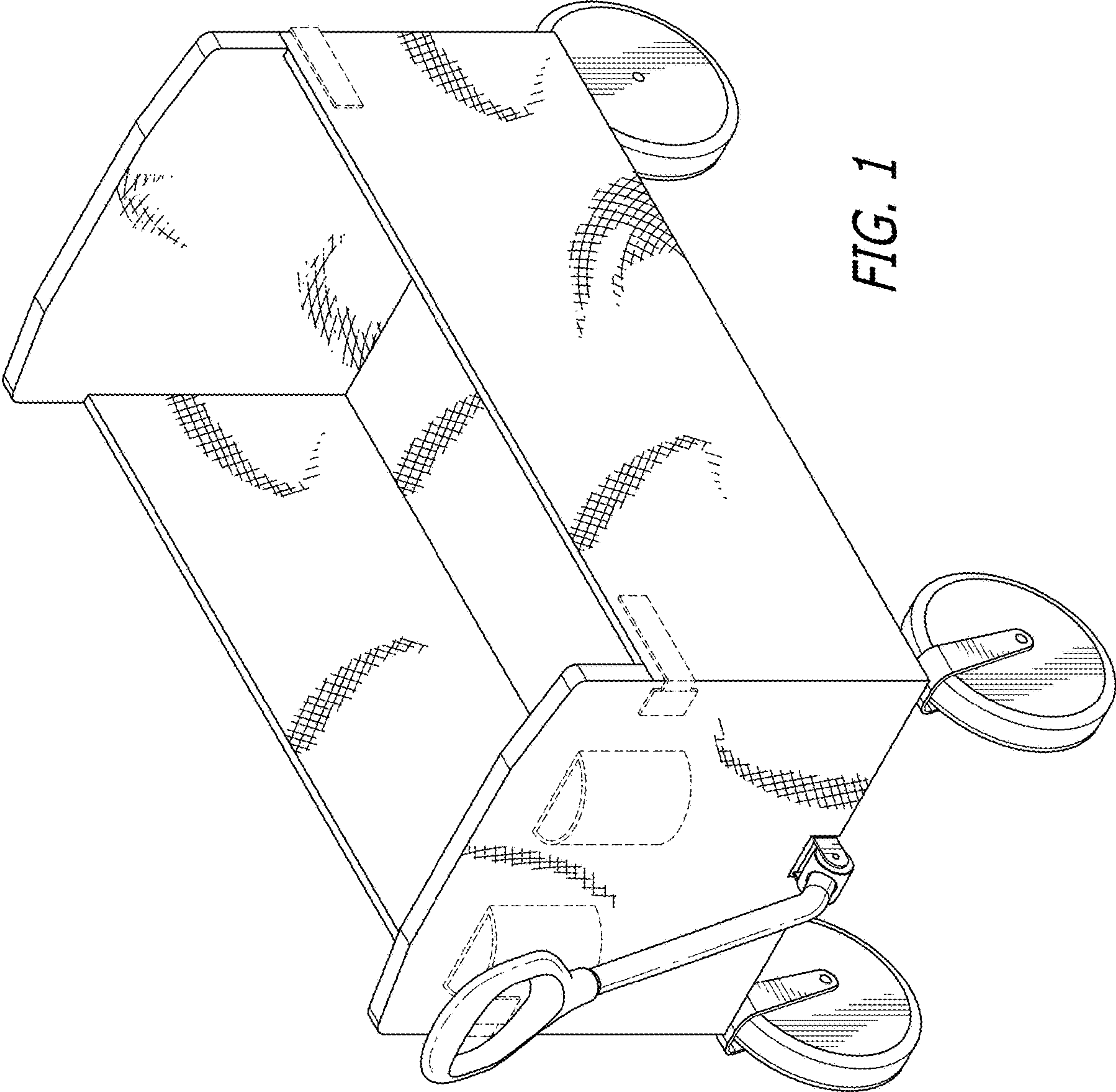
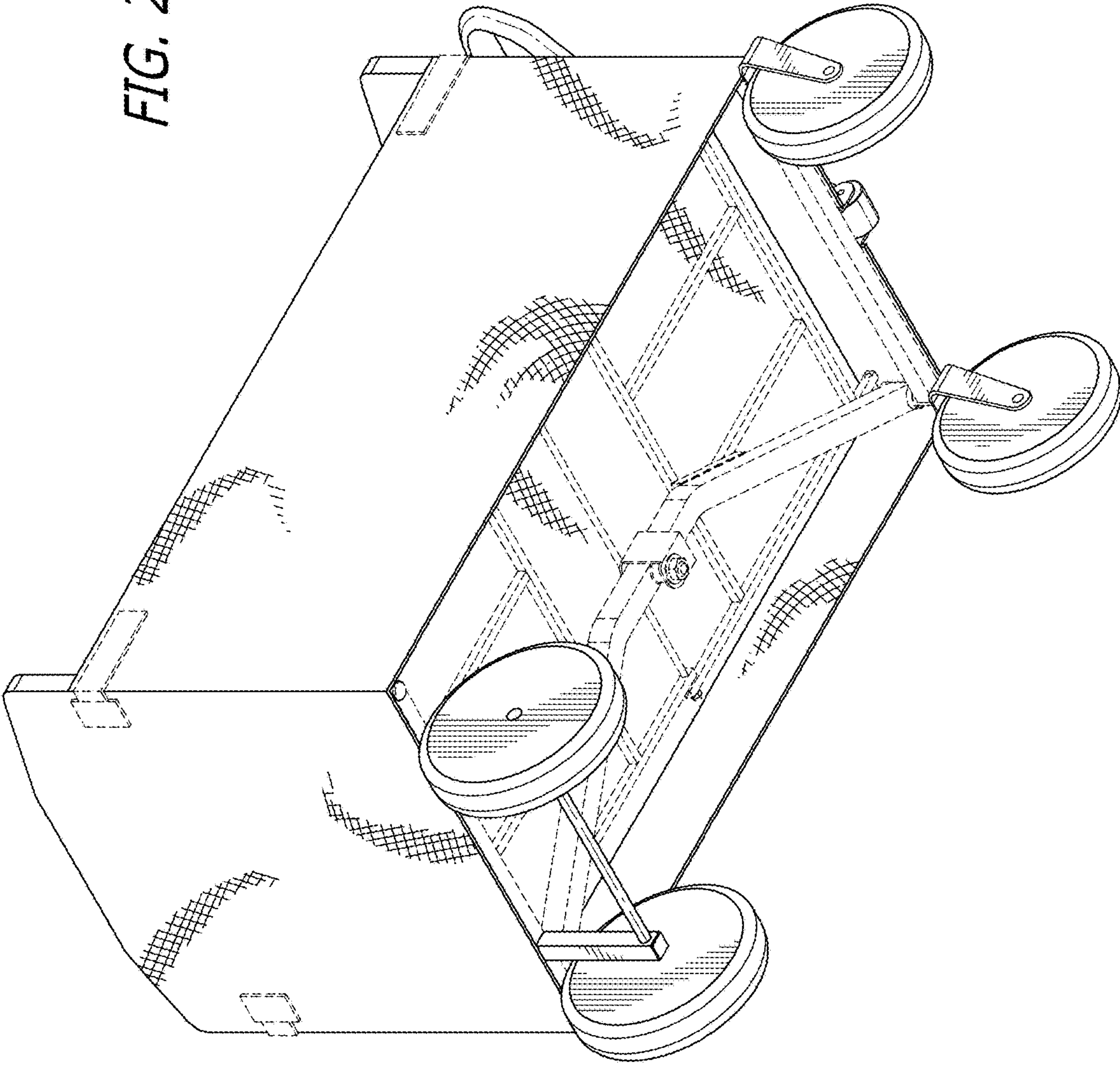


FIG. 1

FIG. 2



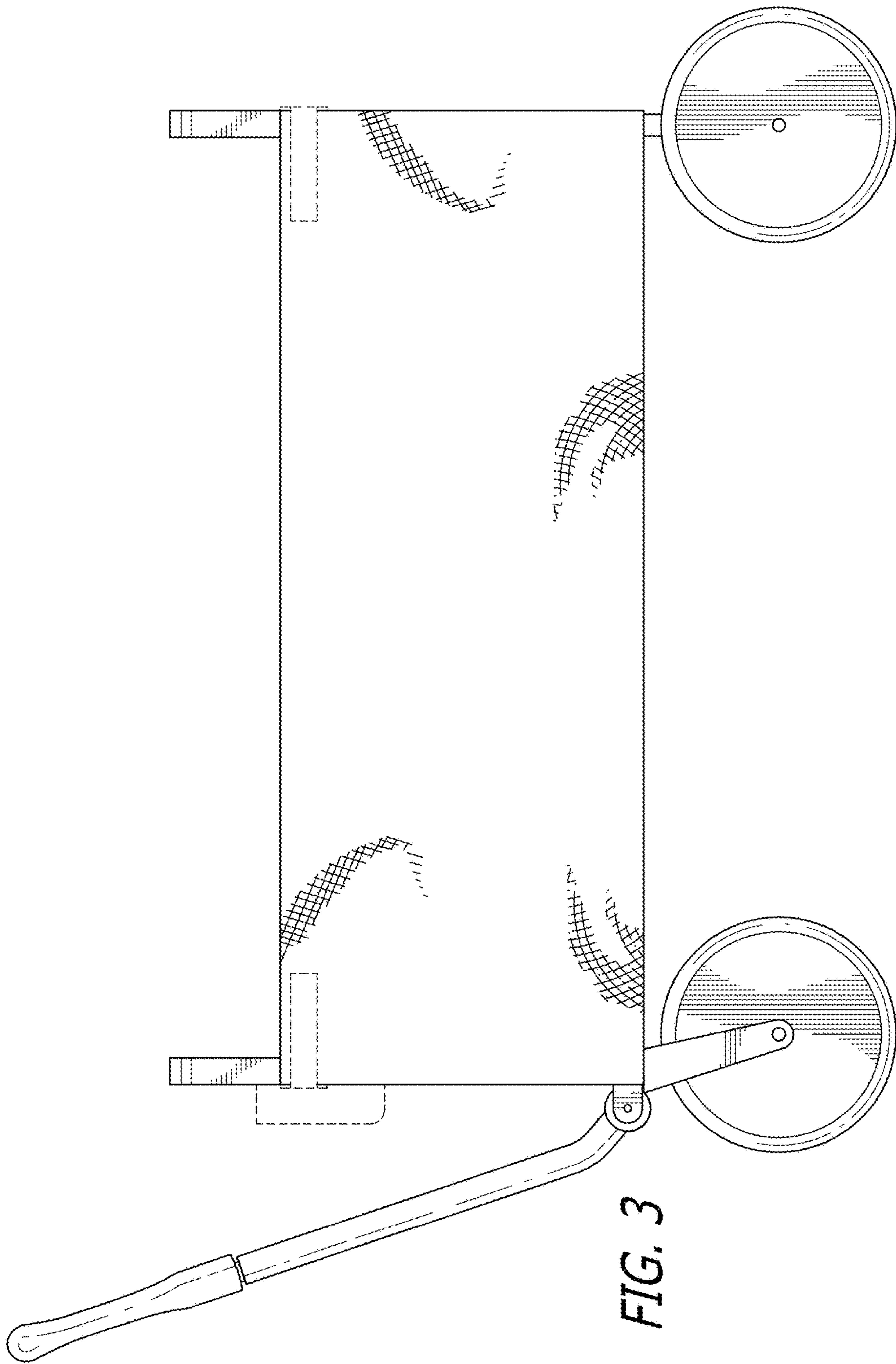
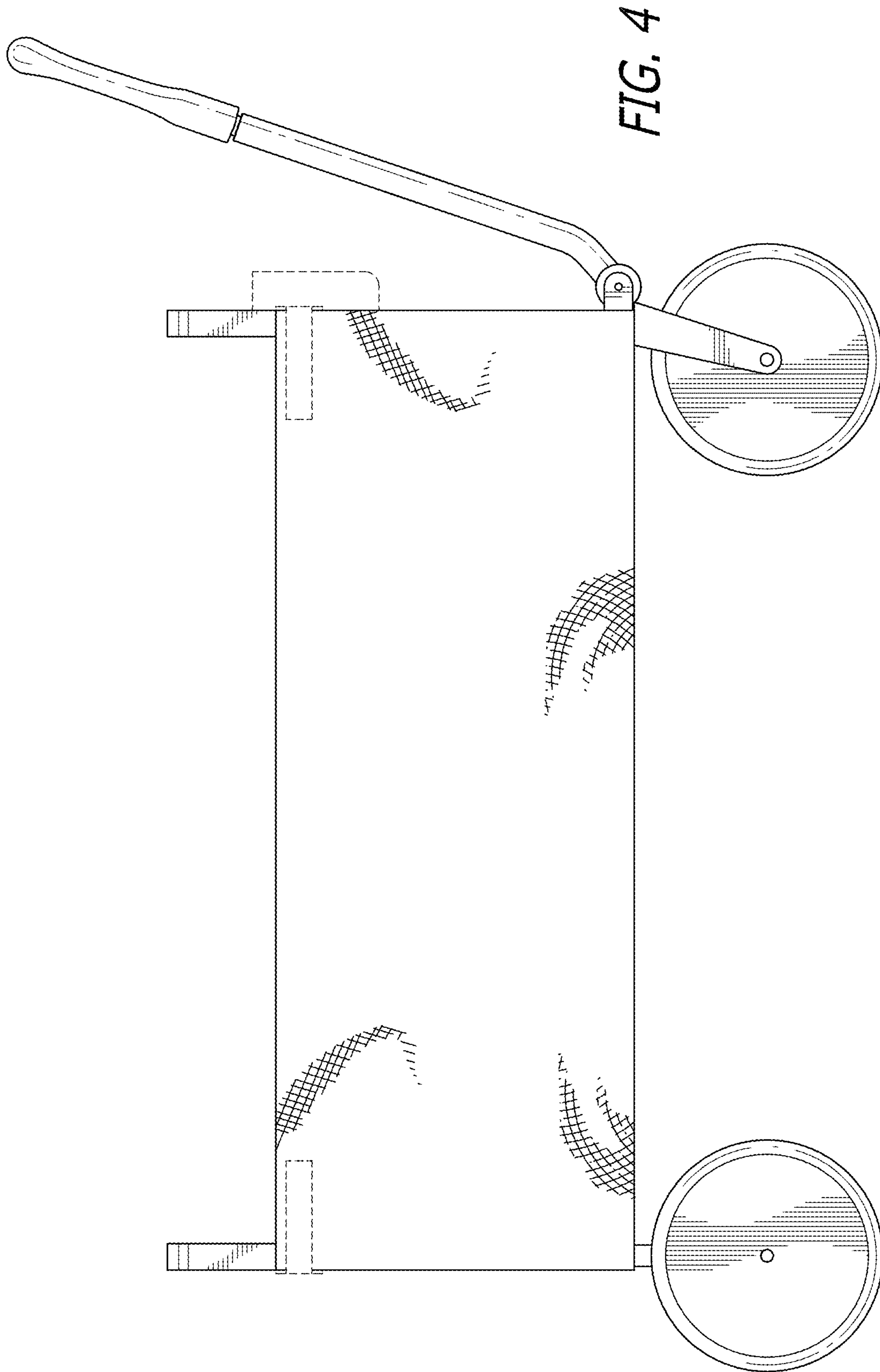


FIG. 3



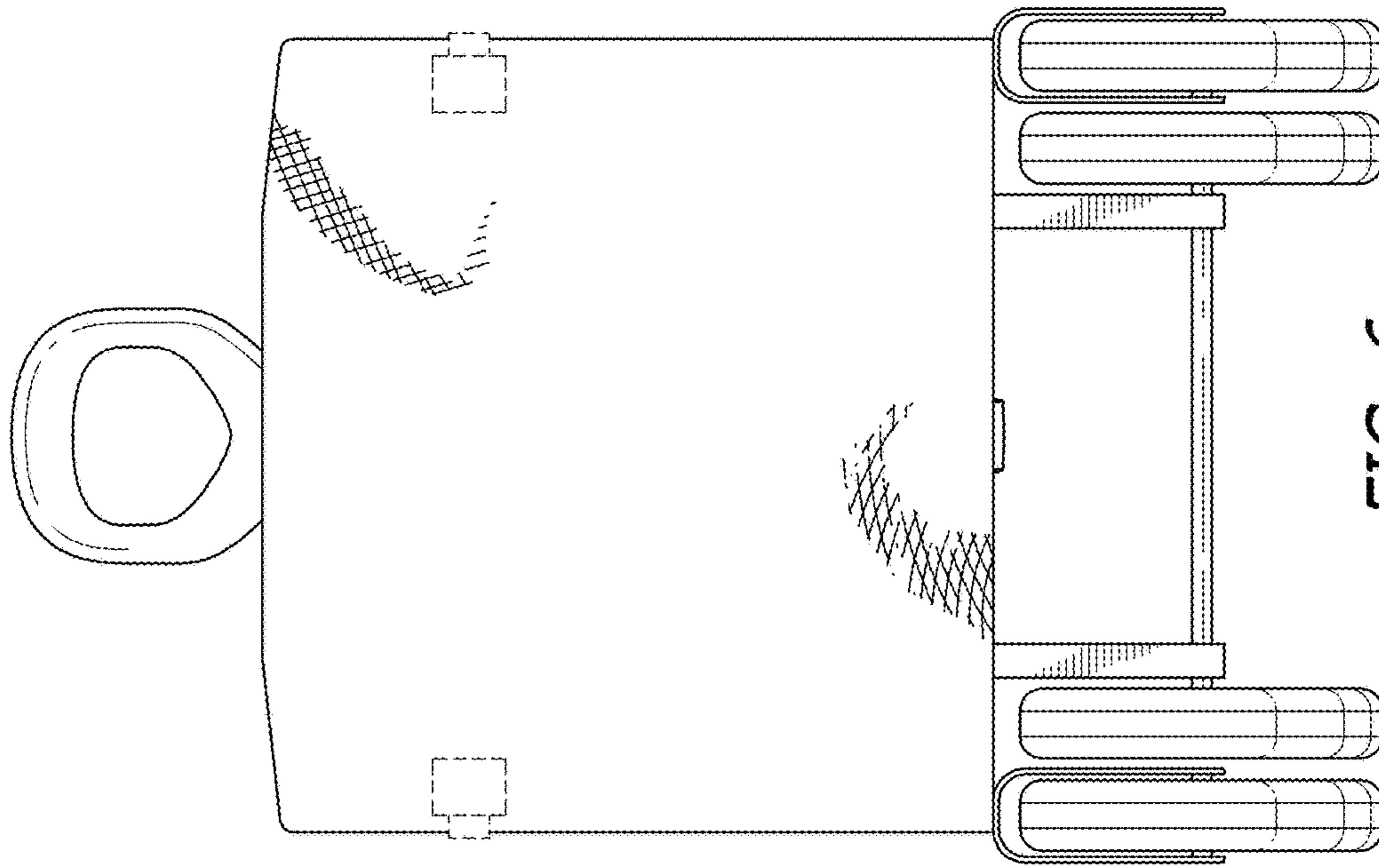


FIG. 6

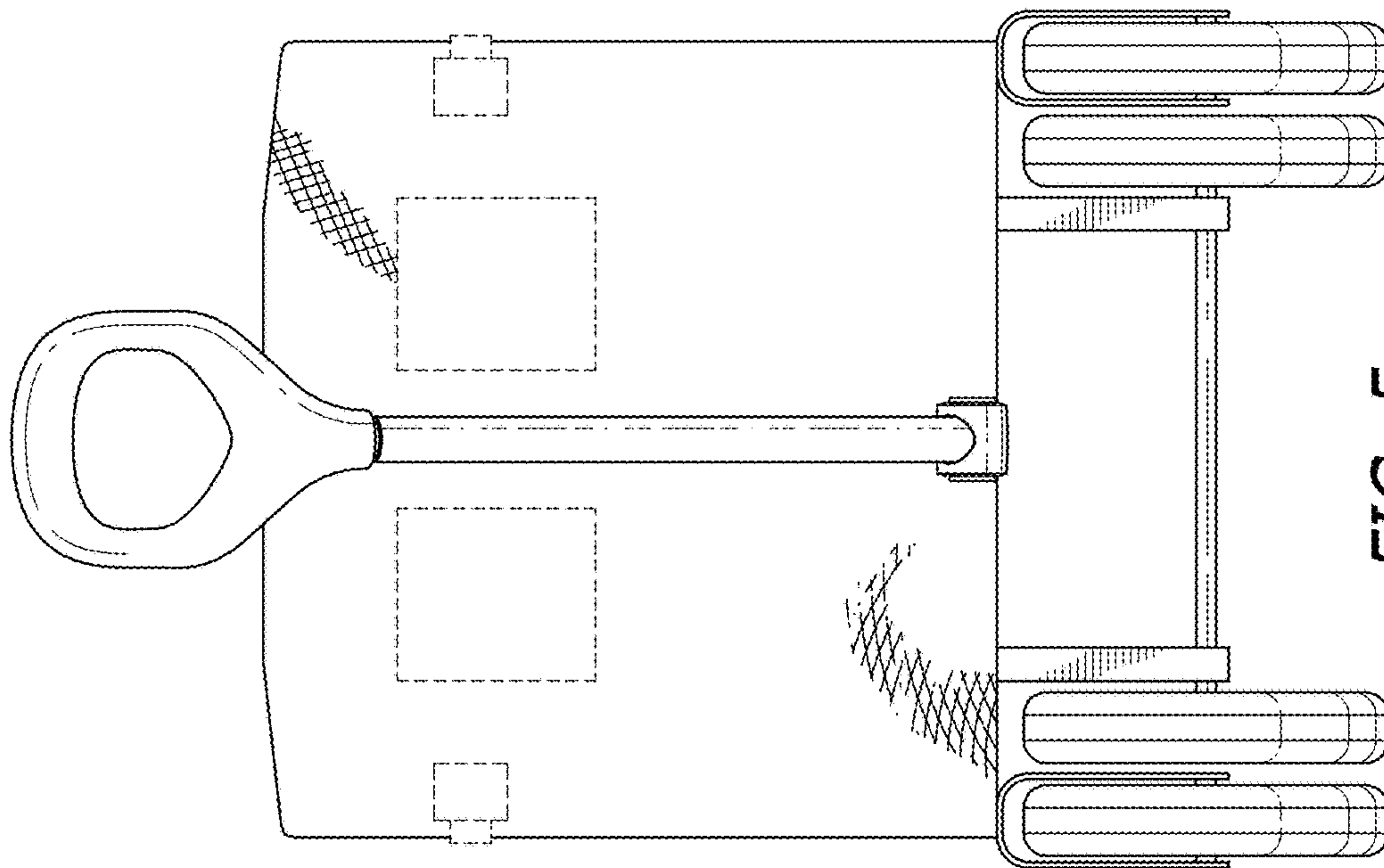


FIG. 5

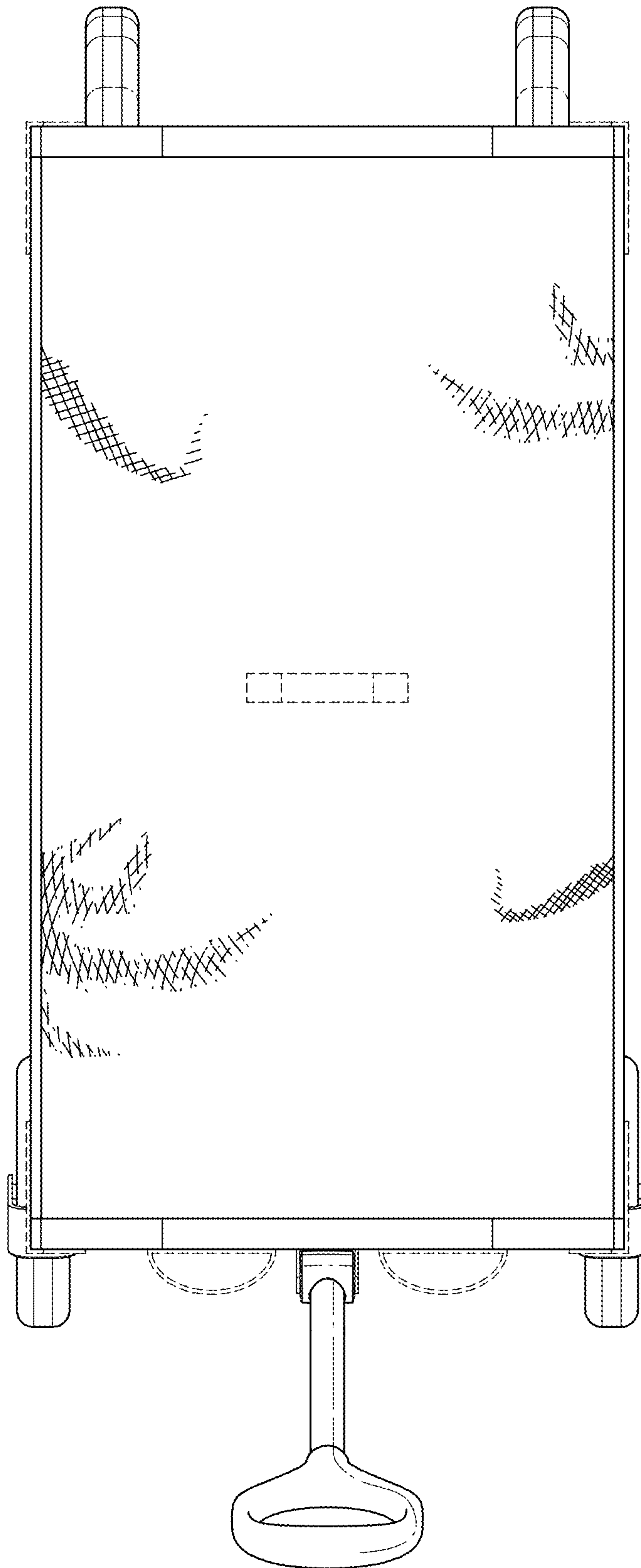


FIG. 7

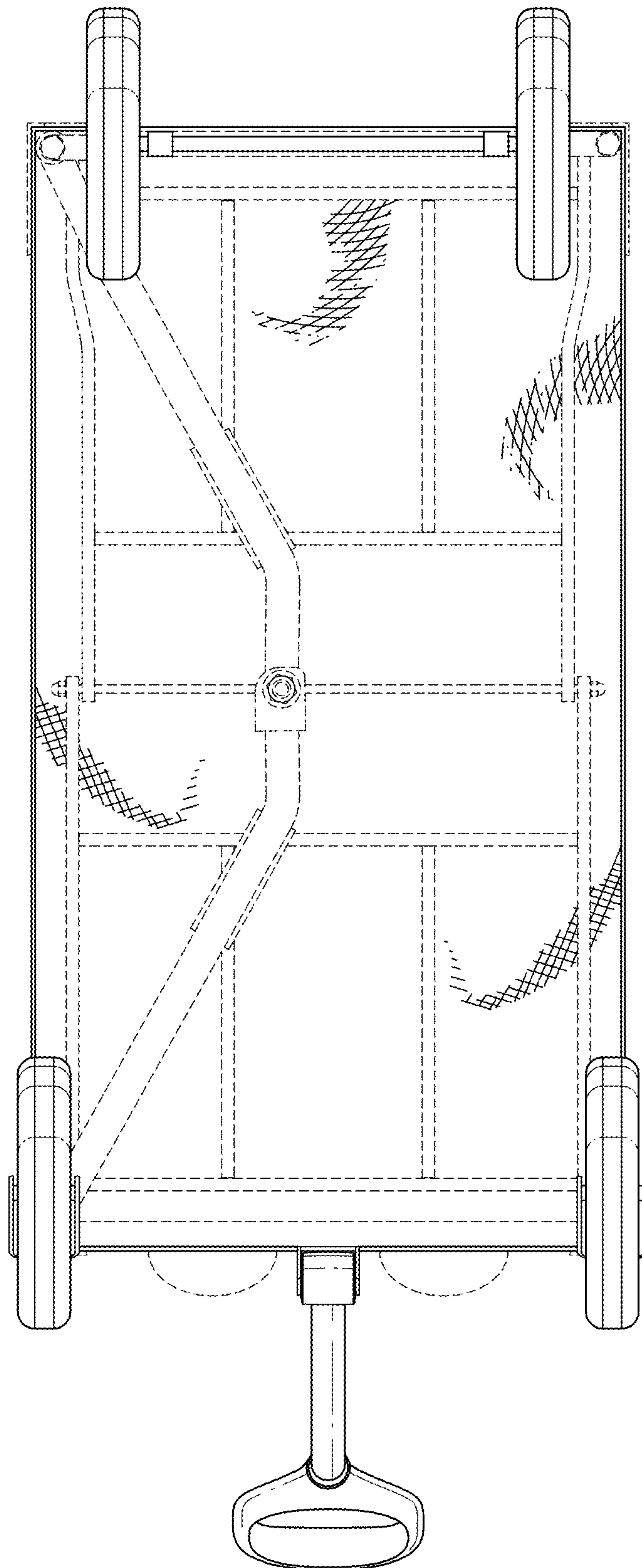


FIG. 8