



US00D794132S

(12) **United States Design Patent**
Capozzi

(10) **Patent No.:** **US D794,132 S**
(45) **Date of Patent:** **** Aug. 8, 2017**

- (54) **BALL TOY**
- (71) Applicant: **Dan-Dee International, Ltd.**, Jersey City, NJ (US)
- (72) Inventor: **Lee Capozzi**, Edgewater, NJ (US)
- (73) Assignee: **DAN-DEE INTERNATIONAL, LTD.**, Jersey City, NJ (US)

- 4,321,888 A * 3/1982 Topliffe A01K 15/025
119/709
- 4,592,549 A * 6/1986 Ryan A63B 43/007
473/430
- 4,657,253 A * 4/1987 Lerner A63B 43/02
473/576
- 4,696,472 A * 9/1987 Meyer A63B 43/02
473/575
- D318,567 S * 7/1991 Smith D21/713
(Continued)

(**) Term: **15 Years**

FOREIGN PATENT DOCUMENTS

- (21) Appl. No.: **29/578,102**
- (22) Filed: **Sep. 19, 2016**
- (51) **LOC (10) Cl.** **21-01**
- (52) **U.S. Cl.**
USPC **D21/398; D21/707**
- (58) **Field of Classification Search**
USPC D21/398, 438-440, 707-714, 466;
D30/160; D11/121; 473/569-577,
473/593-615
CPC ... A63B 39/00; A63B 39/06; A63B 2039/003;
A63B 41/00; A63B 41/08; A63B 41/10;
A63B 43/00; A63B 43/002; A63B
43/004; A63B 43/005; A63B 43/007;
A63B 43/008; A63B 43/02; A63B 43/04;
A63B 43/06; A63B 2043/001; A63B
37/00; A63B 37/02; A63B 37/06; A63B
37/08; A63B 37/10; A63B 37/12; A63B
37/14; A63B 2037/065; A63B 2037/082;
A63B 2037/085; A63H 33/18; A01K
15/025

- CN 301145513 * 2/2010
- JP D1226763 * 1/2005

Primary Examiner — Catherine Tuttle
(74) *Attorney, Agent, or Firm* — Amster, Rothstein & Ebenstein LLP

See application file for complete search history.

(57) **CLAIM**

The ornamental design for a ball toy, as shown and described.

(56) **References Cited**

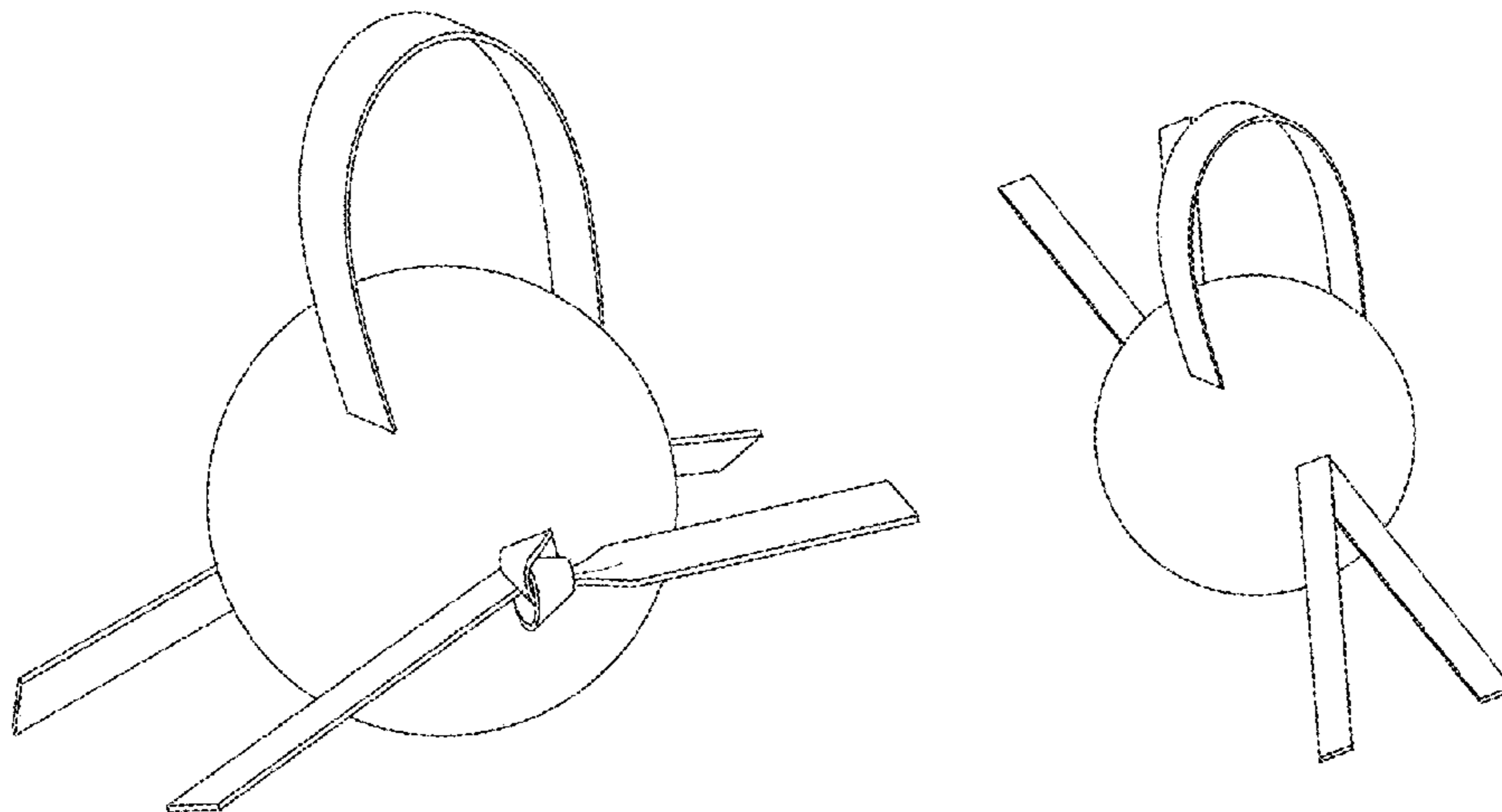
DESCRIPTION

U.S. PATENT DOCUMENTS

- D49,090 S 5/1916 Gregory
- D130,124 S 10/1941 Hart
- 3,439,446 A 4/1969 Alonso
- 4,127,268 A * 11/1978 Lindgren A63B 43/007
29/432

FIG. 1 is a perspective view showing a first embodiment of my new design for a ball toy;
FIG. 2 is a front view thereof;
FIG. 3 is a back view thereof;
FIG. 4 is a left side view thereof;
FIG. 5 is a right side view thereof;
FIG. 6 is a top view thereof;
FIG. 7 is a bottom view thereof;
FIG. 8 is a perspective view showing a second embodiment of my new design for a ball toy;
FIG. 9 is a front view thereof;
FIG. 10 is a back view thereof;
FIG. 11 is a left side view thereof;
FIG. 12 is a right side view thereof;
FIG. 13 is a top view thereof; and,
FIG. 14 is a bottom view thereof.

1 Claim, 14 Drawing Sheets



(56)

References Cited

U.S. PATENT DOCUMENTS

5,230,682 A * 7/1993 Myers A63B 21/0004
 473/576
 D343,930 S * 2/1994 Garcia D30/160
 5,398,928 A 3/1995 Rudell et al.
 D358,911 S 5/1995 Hotta et al.
 5,551,687 A * 9/1996 Krull A63B 43/007
 446/85
 5,813,931 A * 9/1998 Gormley A63B 43/00
 473/575
 D423,152 S 4/2000 Kelly
 D480,902 S 10/2003 Long et al.
 D496,408 S 9/2004 Kessler
 D500,901 S * 1/2005 Crane D30/160
 D500,902 S * 1/2005 Crane D30/160
 D537,131 S * 2/2007 Chernick D21/398
 D583,421 S * 12/2008 Slinker D21/398
 D601,761 S * 10/2009 Lamstein D30/160
 D625,474 S * 10/2010 Byrne D30/160
 D631,617 S 1/2011 Morton
 D635,309 S * 3/2011 Axelrod D30/160
 D637,773 S * 5/2011 Tsengas D30/160
 D653,807 S * 2/2012 Gelin D21/713
 D653,809 S 2/2012 Gelin
 D661,848 S 6/2012 Byrne
 D665,040 S 8/2012 Lowinger
 D698,690 S 2/2014 McHenry
 D779,604 S * 2/2017 Lawlor D21/707
 2011/0017148 A1 * 1/2011 Tsengas A01K 15/025
 119/707
 2011/0061604 A1 * 3/2011 Hill A01K 15/025
 119/707
 2011/0224030 A1 * 9/2011 Henzie A63B 43/02
 473/470
 2013/0014735 A1 * 1/2013 Mowbray A63B 65/00
 124/18

* cited by examiner

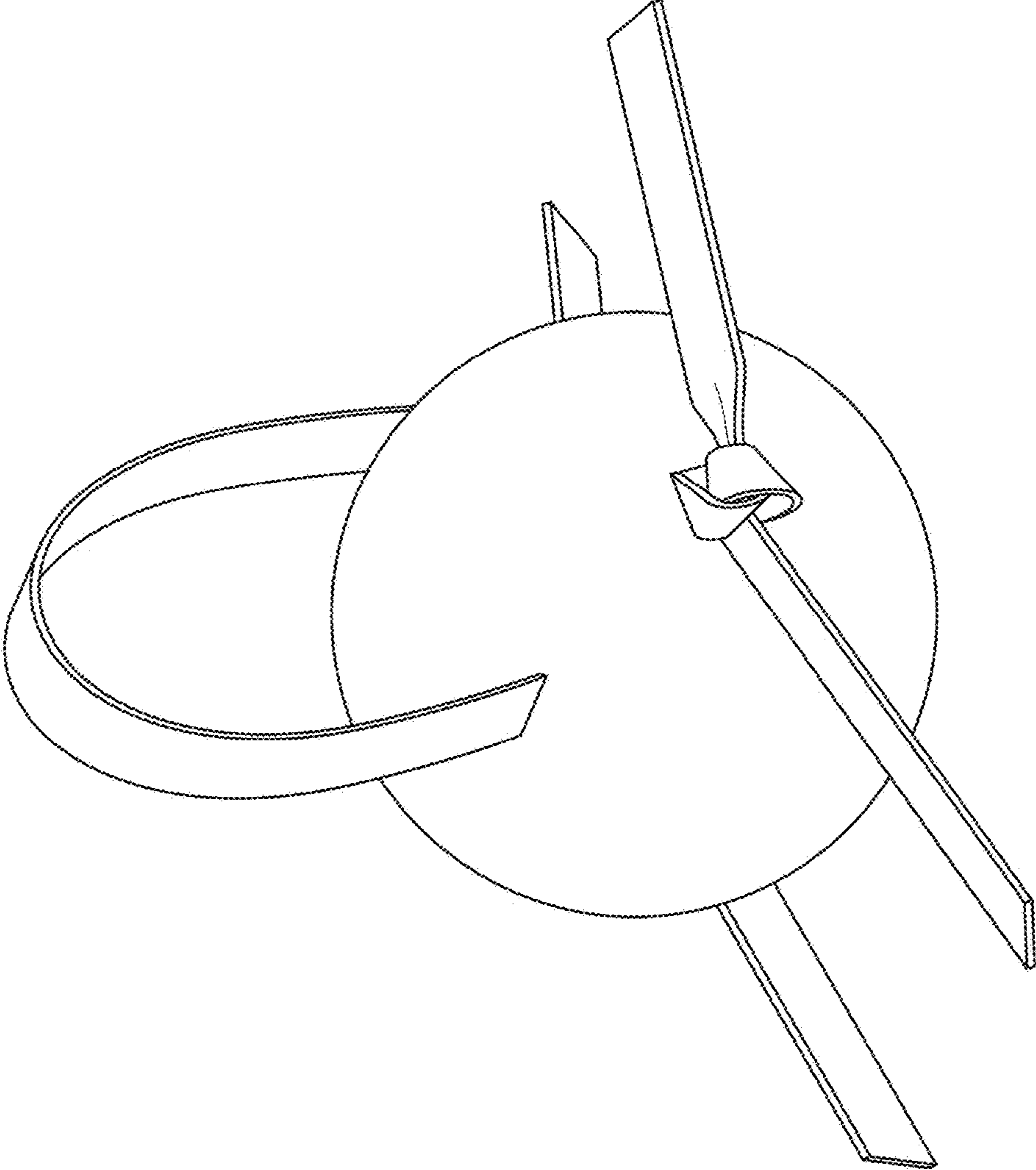


FIG. 1

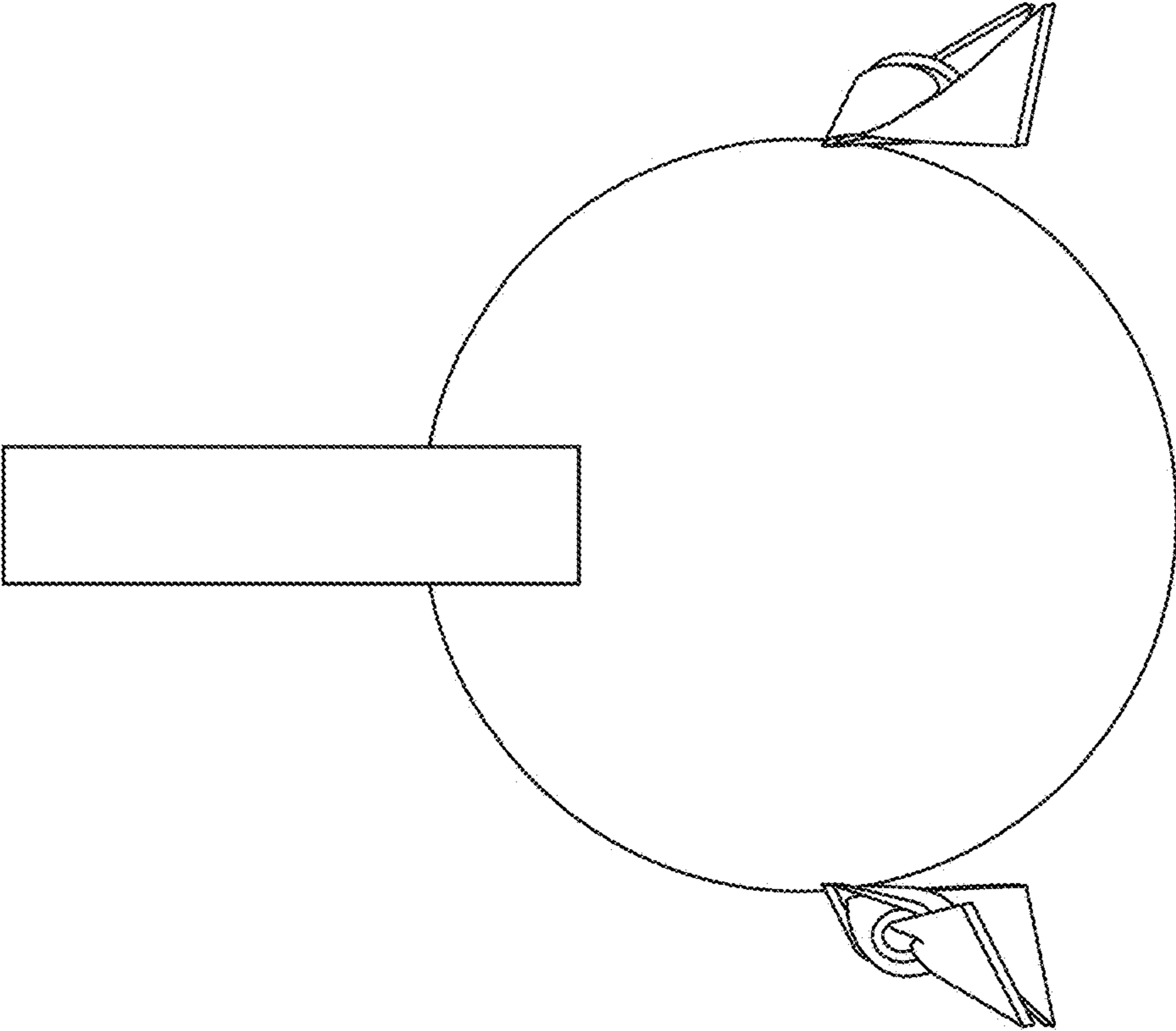


FIG. 2

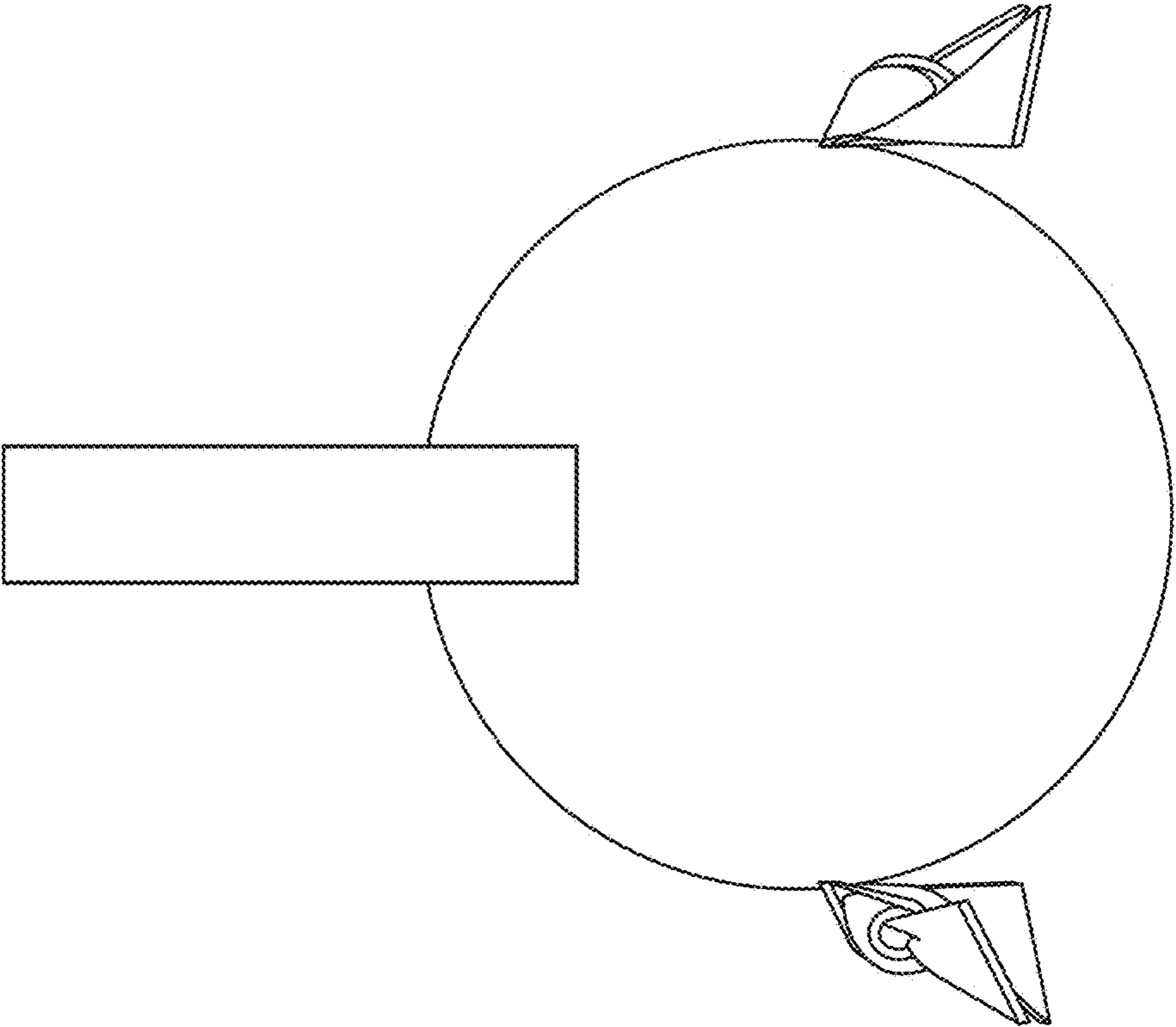


FIG. 3

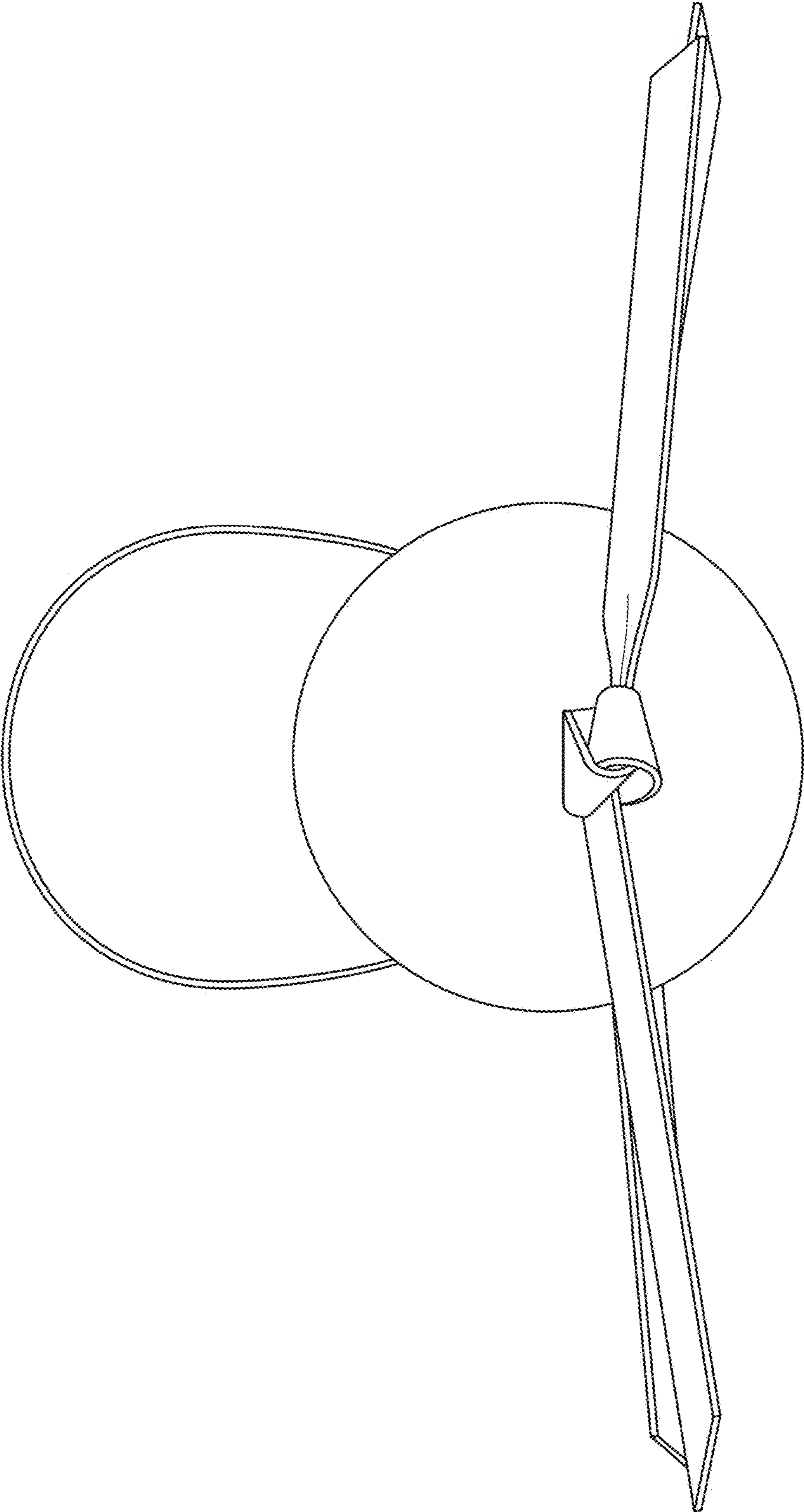


FIG. 4

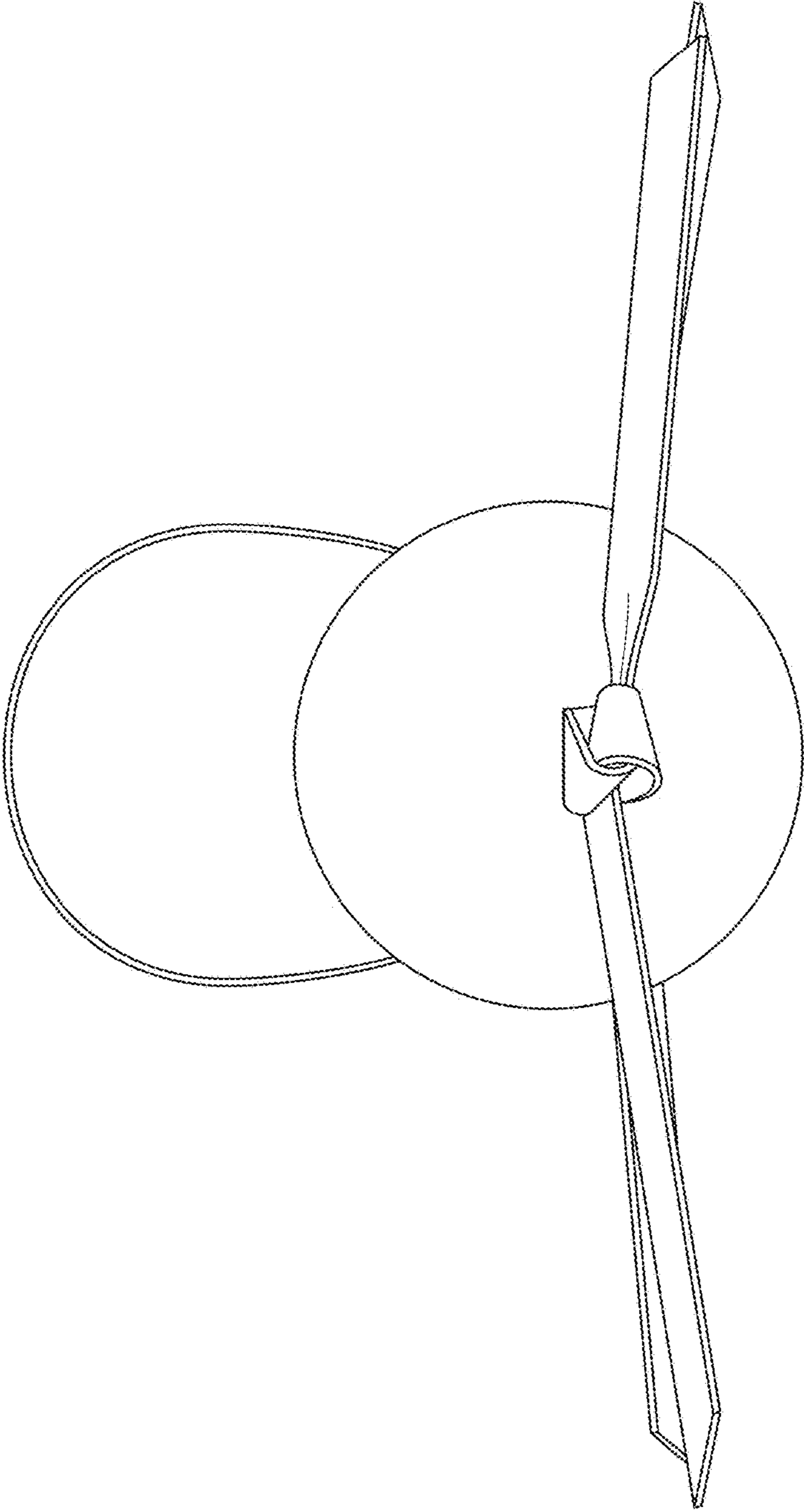


FIG. 5

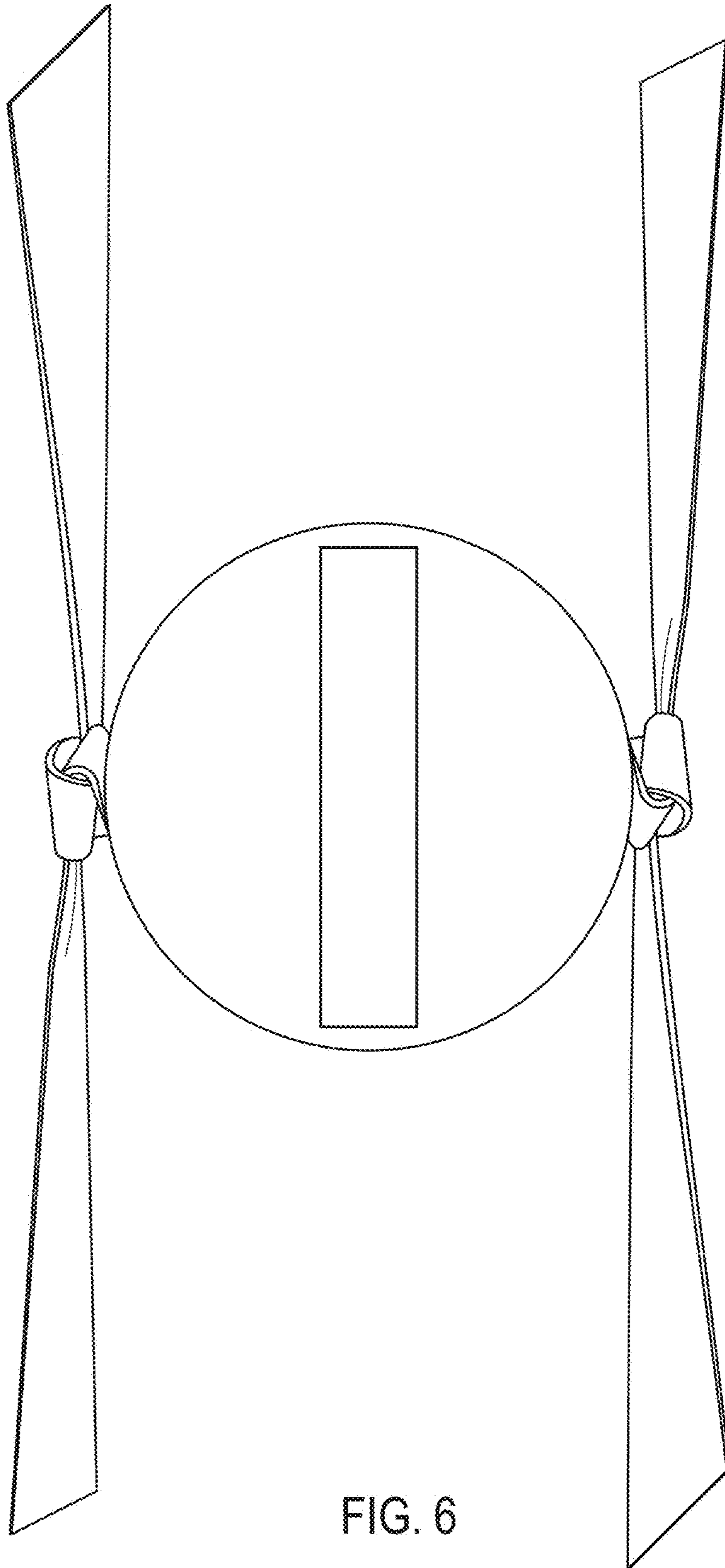


FIG. 6

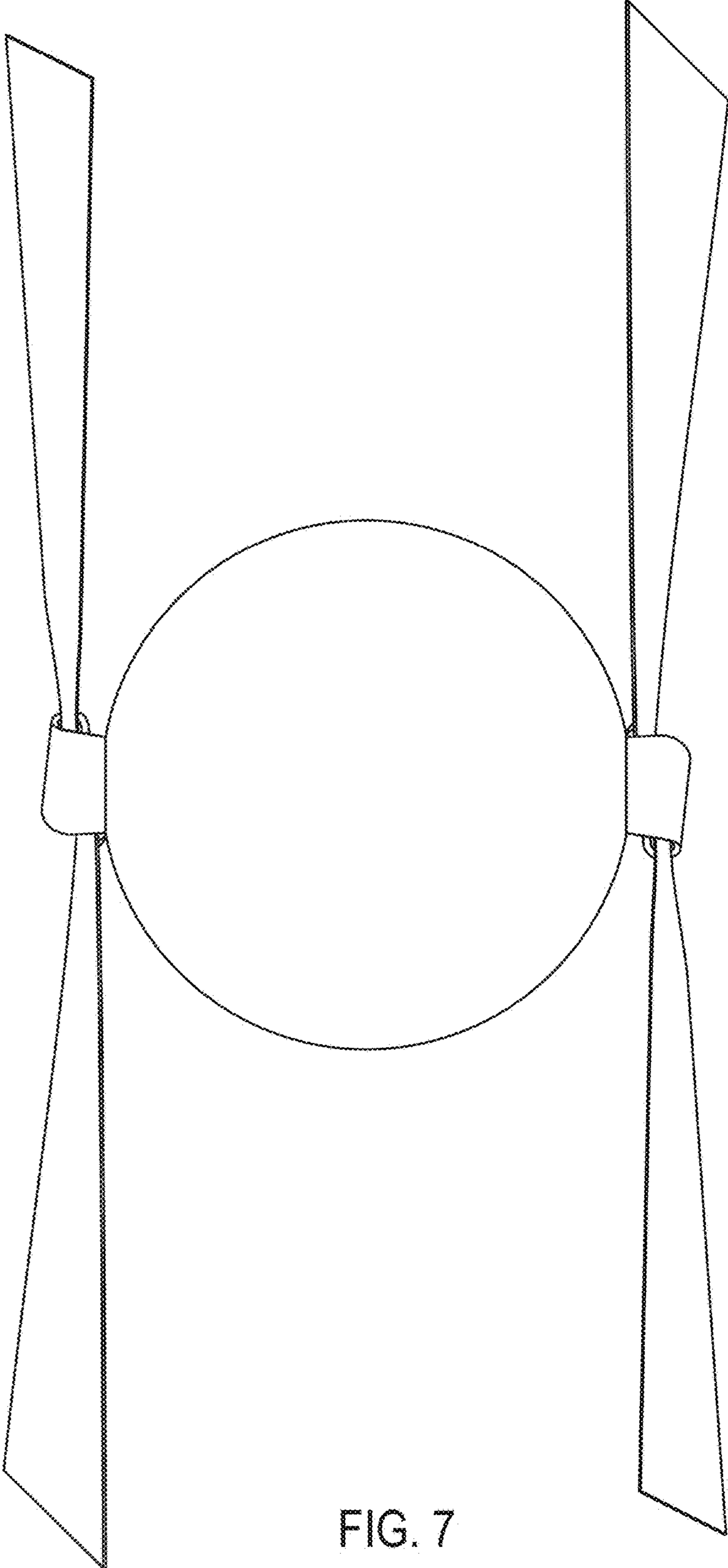


FIG. 7

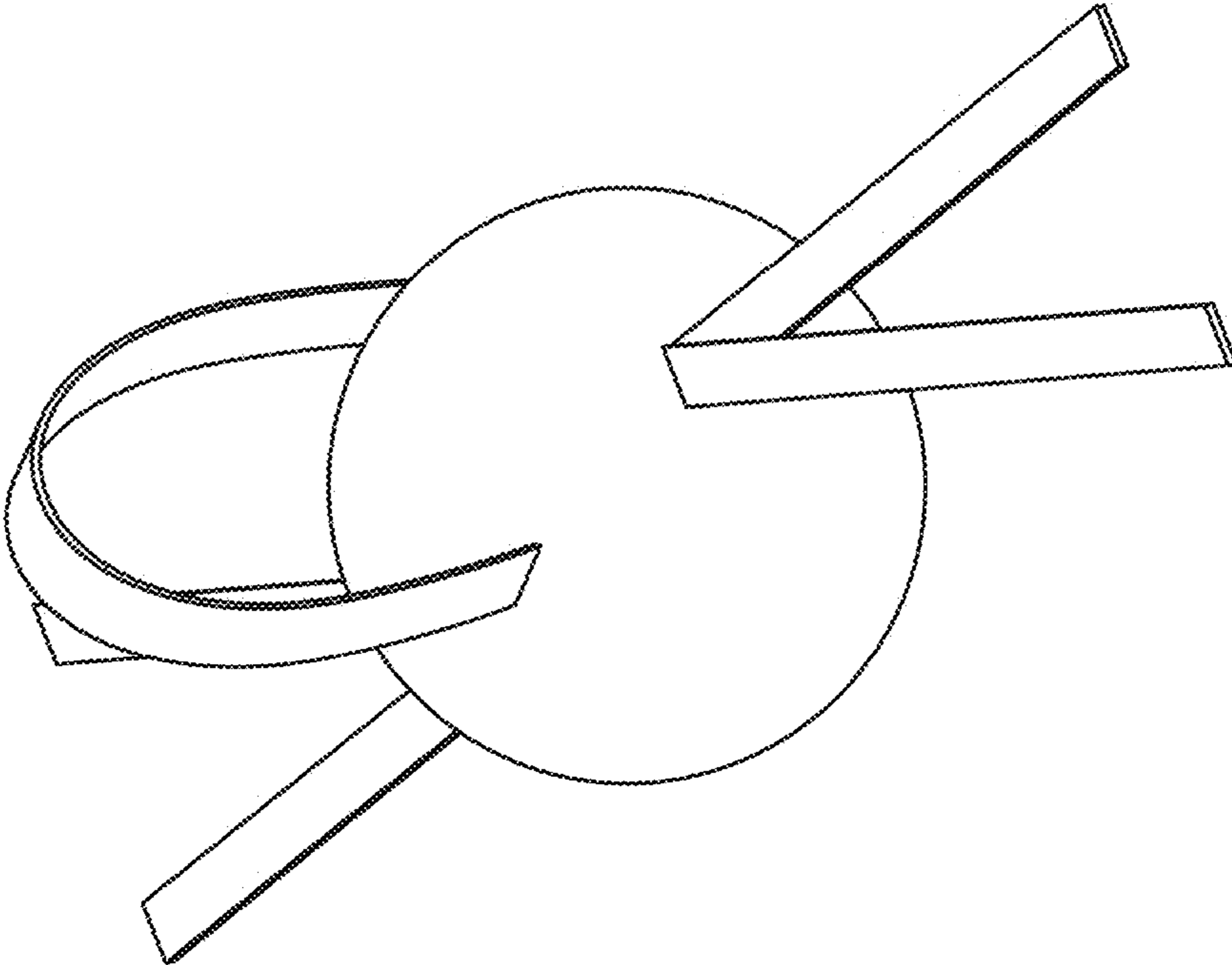


FIG. 8

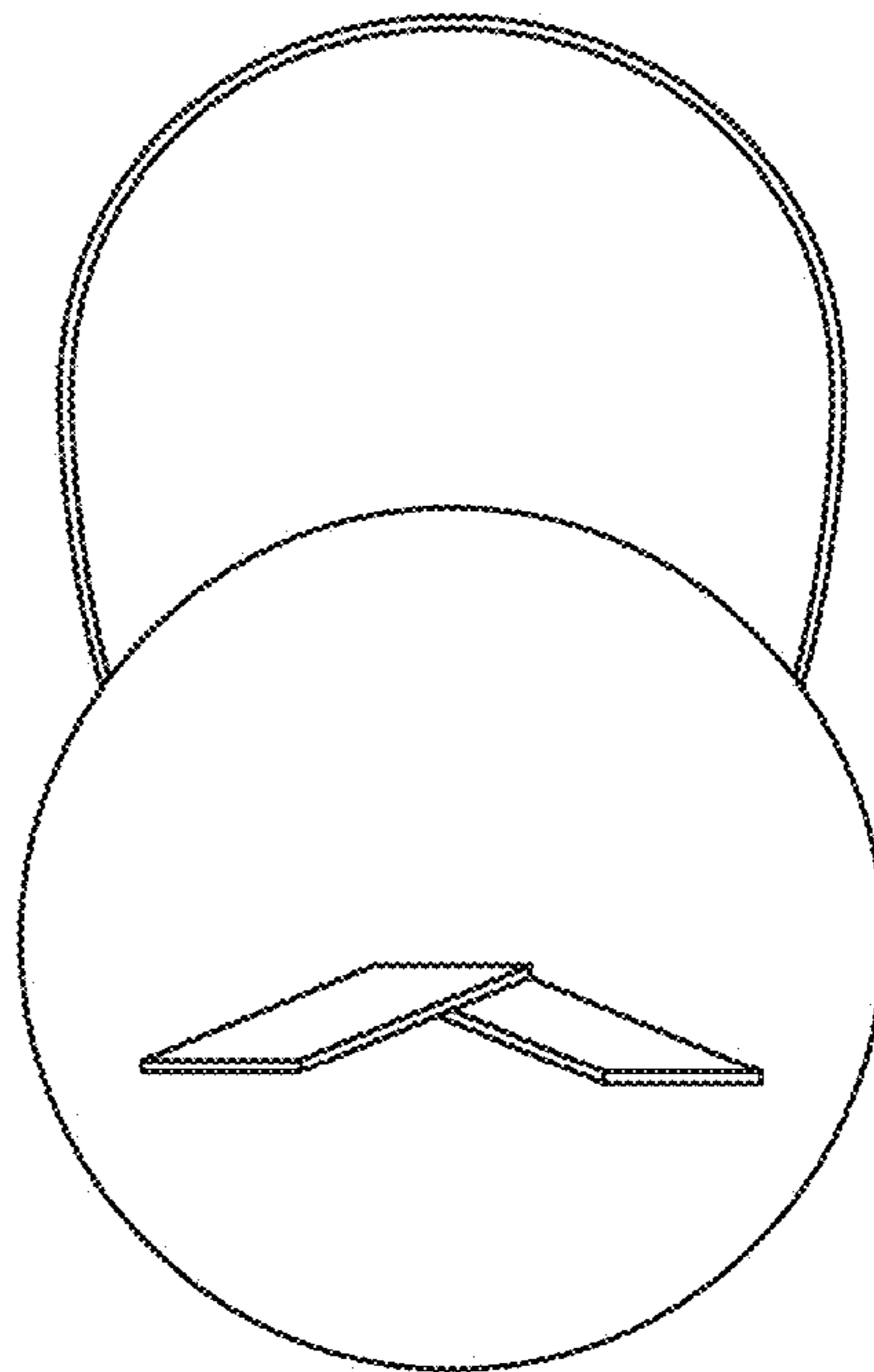


FIG. 9

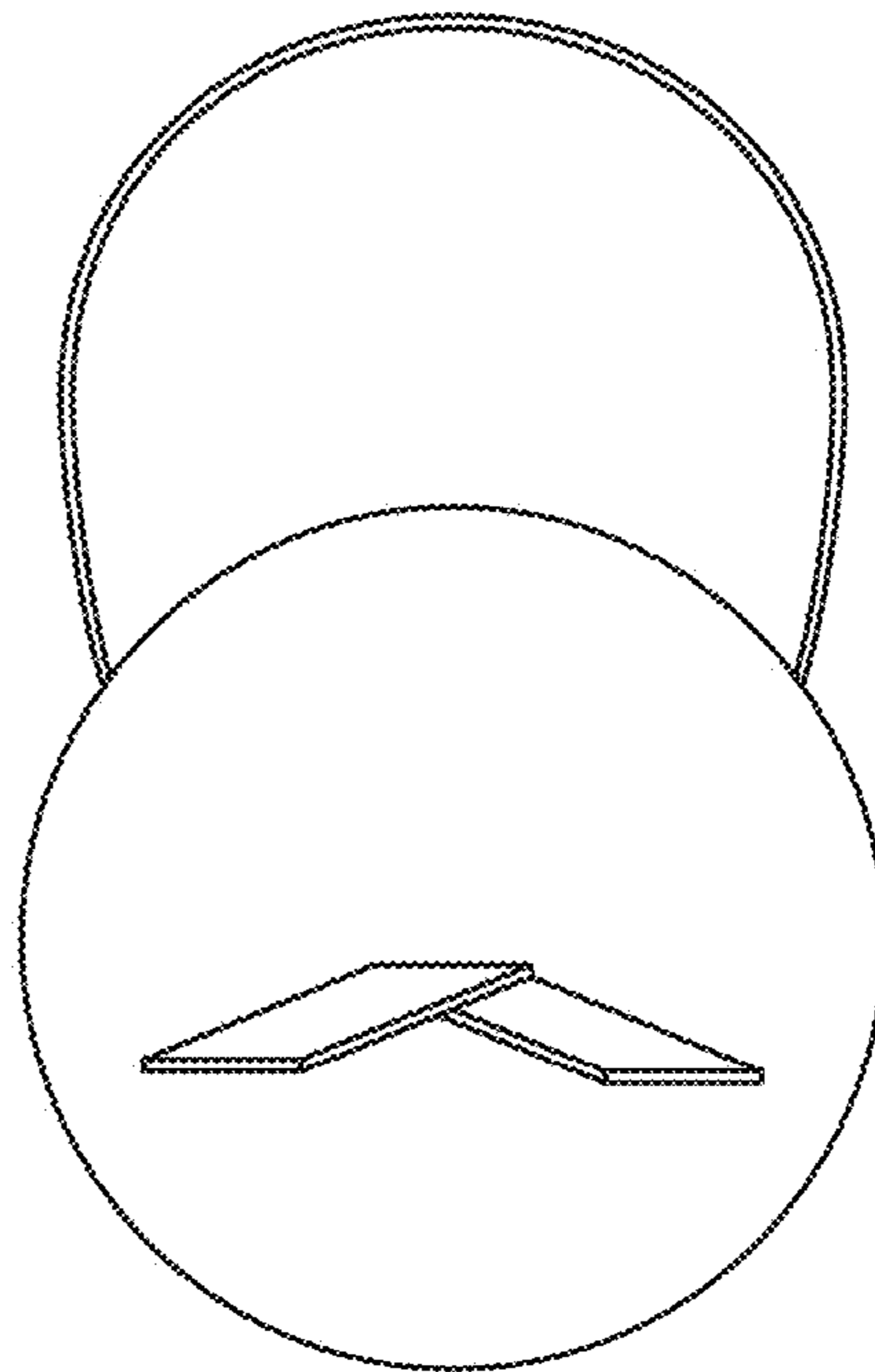


FIG. 10

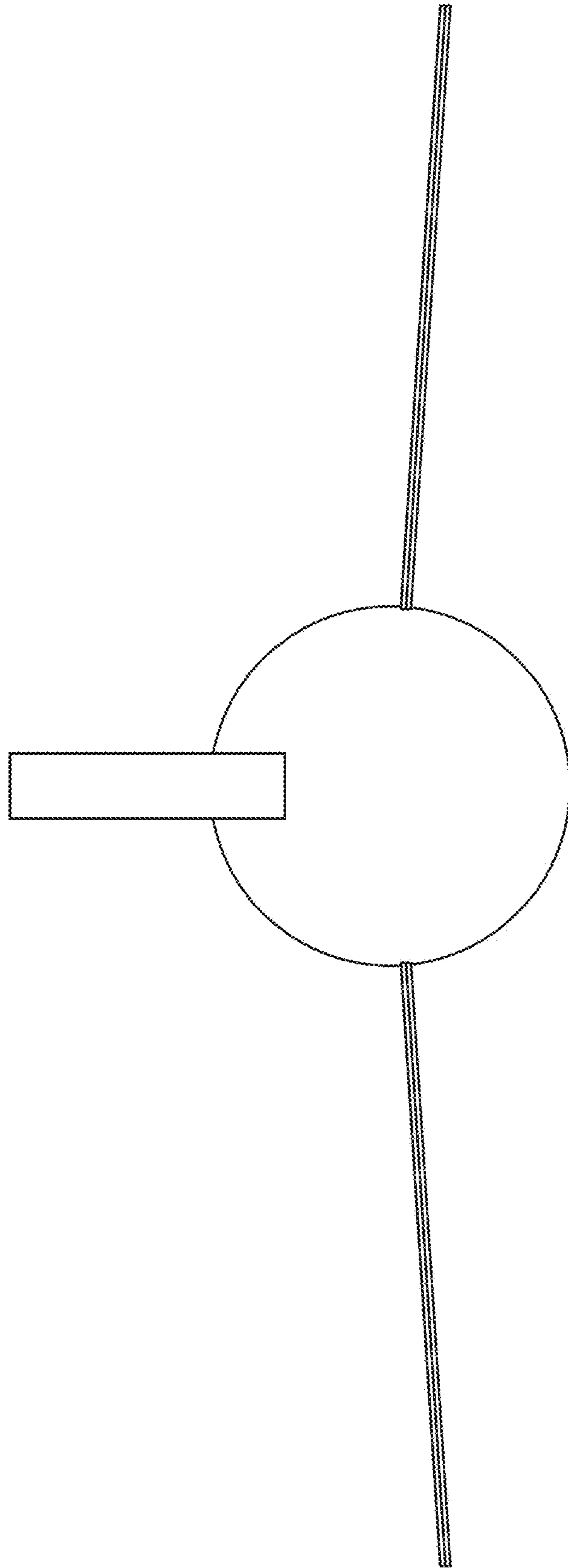


FIG. 11

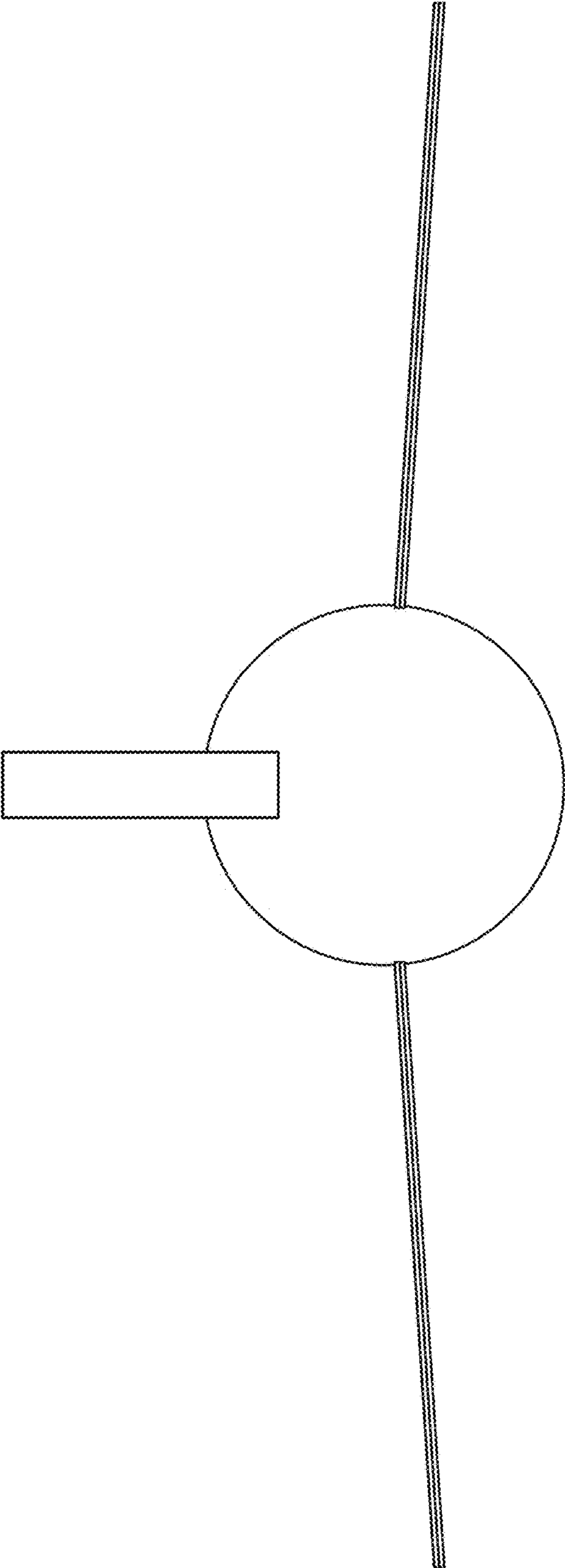


FIG. 12

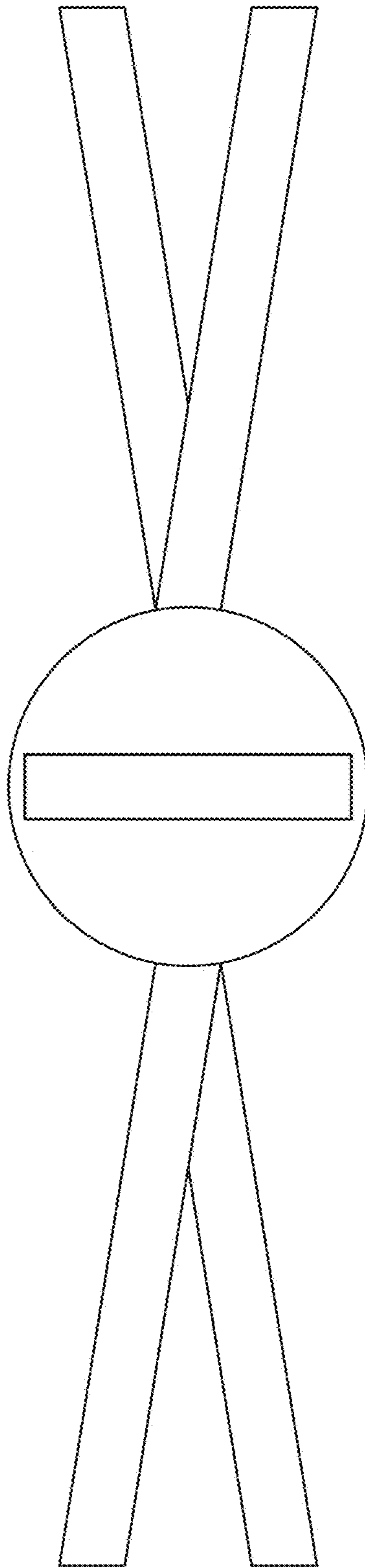


FIG. 13

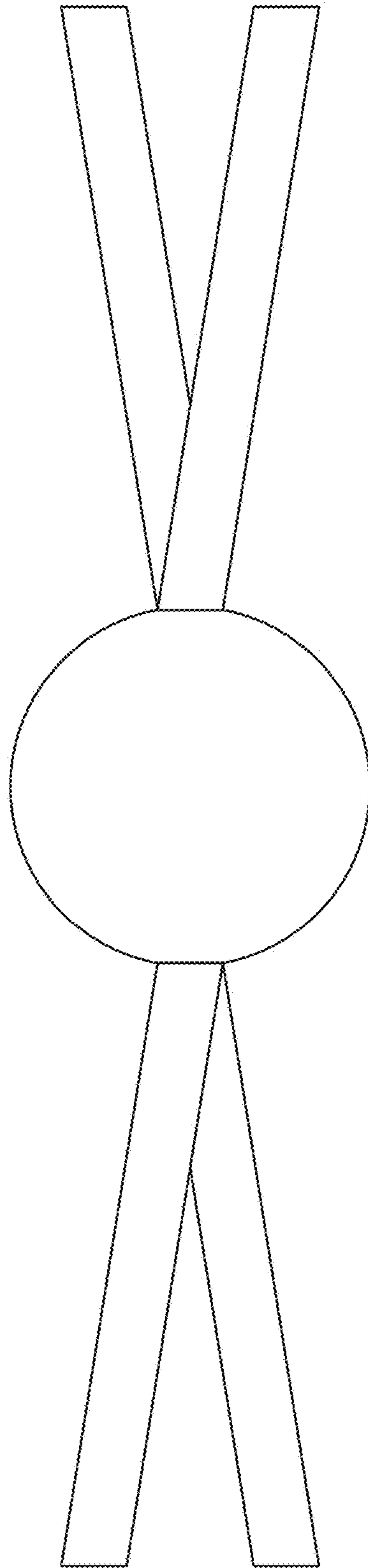


FIG. 14