

US00D794131S

(12) **United States Design Patent**  
**Capozzi**

(10) **Patent No.:** **US D794,131 S**

(45) **Date of Patent:** **\*\* Aug. 8, 2017**

(54) **BALL TOY**

(71) Applicant: **Dan-Dee International, Ltd.**, Jersey City, NJ (US)

(72) Inventor: **Lee Capozzi**, Edgewater, NJ (US)

(73) Assignee: **DAN-DEE INTERNATIONAL, LTD.**, Jersey City, NJ (US)

(\*\*) Term: **15 Years**

(21) Appl. No.: **29/578,099**

(22) Filed: **Sep. 19, 2016**

(51) **LOC (10) Cl.** ..... **21-01**

(52) **U.S. Cl.**  
USPC ..... **D21/398**; D21/707; D21/712

(58) **Field of Classification Search**  
USPC ..... D21/398, 438-440, 707-714, 466;  
D30/160; D11/121; 473/569-577,  
473/593-615

CPC ... A63B 39/00; A63B 39/06; A63B 2039/003;  
A63B 41/00; A63B 41/08; A63B 41/10;  
A63B 43/00; A63B 43/002; A63B  
43/004; A63B 43/005; A63B 43/007;  
A63B 43/008; A63B 43/02; A63B 43/04;  
A63B 43/06; A63B 2043/001; A63B  
37/00; A63B 37/02; A63B 37/06; A63B  
37/08; A63B 37/10; A63B 37/12; A63B  
37/14; A63B 2037/065; A63B 2037/082;  
A63B 2037/085; A63H 33/18; A01K  
15/025

See application file for complete search history.

(56) **References Cited**

**U.S. PATENT DOCUMENTS**

D49,090 S \* 5/1916 Gregory ..... D21/440  
D130,124 S \* 10/1941 Hart ..... D21/400  
3,439,446 A \* 4/1969 Alonso ..... A63F 7/382  
446/247  
4,127,268 A \* 11/1978 Lindgren ..... A63B 43/007  
29/432

4,321,888 A 3/1982 Topliffe  
4,592,549 A 6/1986 Ryan  
4,657,253 A 4/1987 Lerner et al.  
4,696,472 A 9/1987 Meyer  
D318,567 S 7/1991 Smith  
5,230,682 A 7/1993 Myers  
D343,930 S 2/1994 Garcia  
5,398,928 A \* 3/1995 Rudell ..... A63B 43/00  
273/DIG. 30

(Continued)

**FOREIGN PATENT DOCUMENTS**

CN 301145513 2/2010  
JP D1226763 \* 1/2005

*Primary Examiner* — Catherine Tuttle

(74) *Attorney, Agent, or Firm* — Amster, Rothstein & Ebenstein LLP

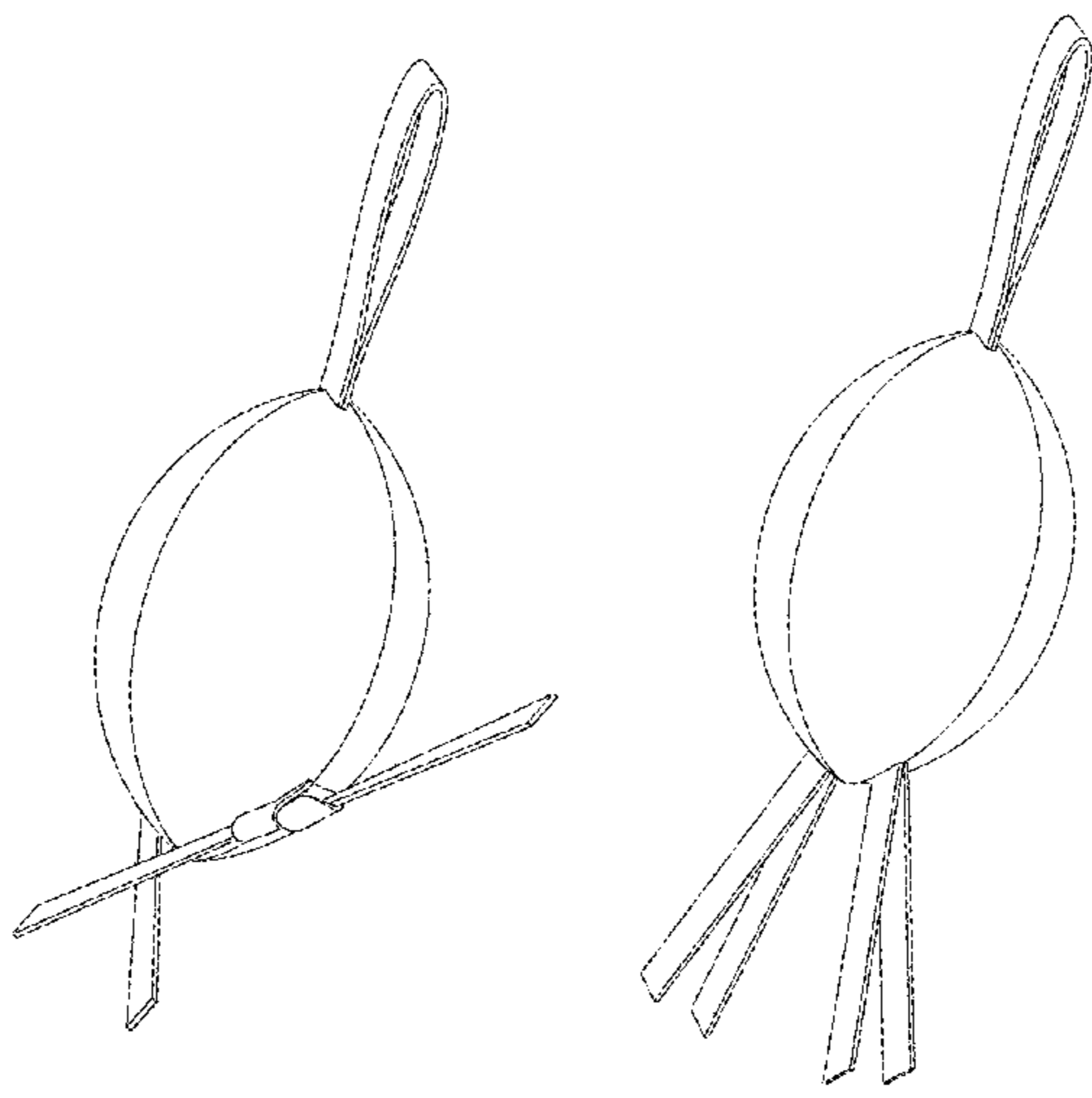
(57) **CLAIM**

The ornamental design for a ball toy, as shown and described.

**DESCRIPTION**

FIG. 1 is a perspective view showing a first embodiment of my new design for a ball toy;  
FIG. 2 is a front view thereof;  
FIG. 3 is a back view thereof;  
FIG. 4 is a left side view thereof;  
FIG. 5 is a right side view thereof;  
FIG. 6 is a top view thereof;  
FIG. 7 is a bottom view thereof;  
FIG. 8 is a perspective view showing a second embodiment of my new design for a ball toy;  
FIG. 9 is a front view thereof;  
FIG. 10 is a back view thereof;  
FIG. 11 is a left side view thereof;  
FIG. 12 is a right side view thereof;  
FIG. 13 is a top view thereof; and,  
FIG. 14 is a bottom view thereof.

**1 Claim, 14 Drawing Sheets**





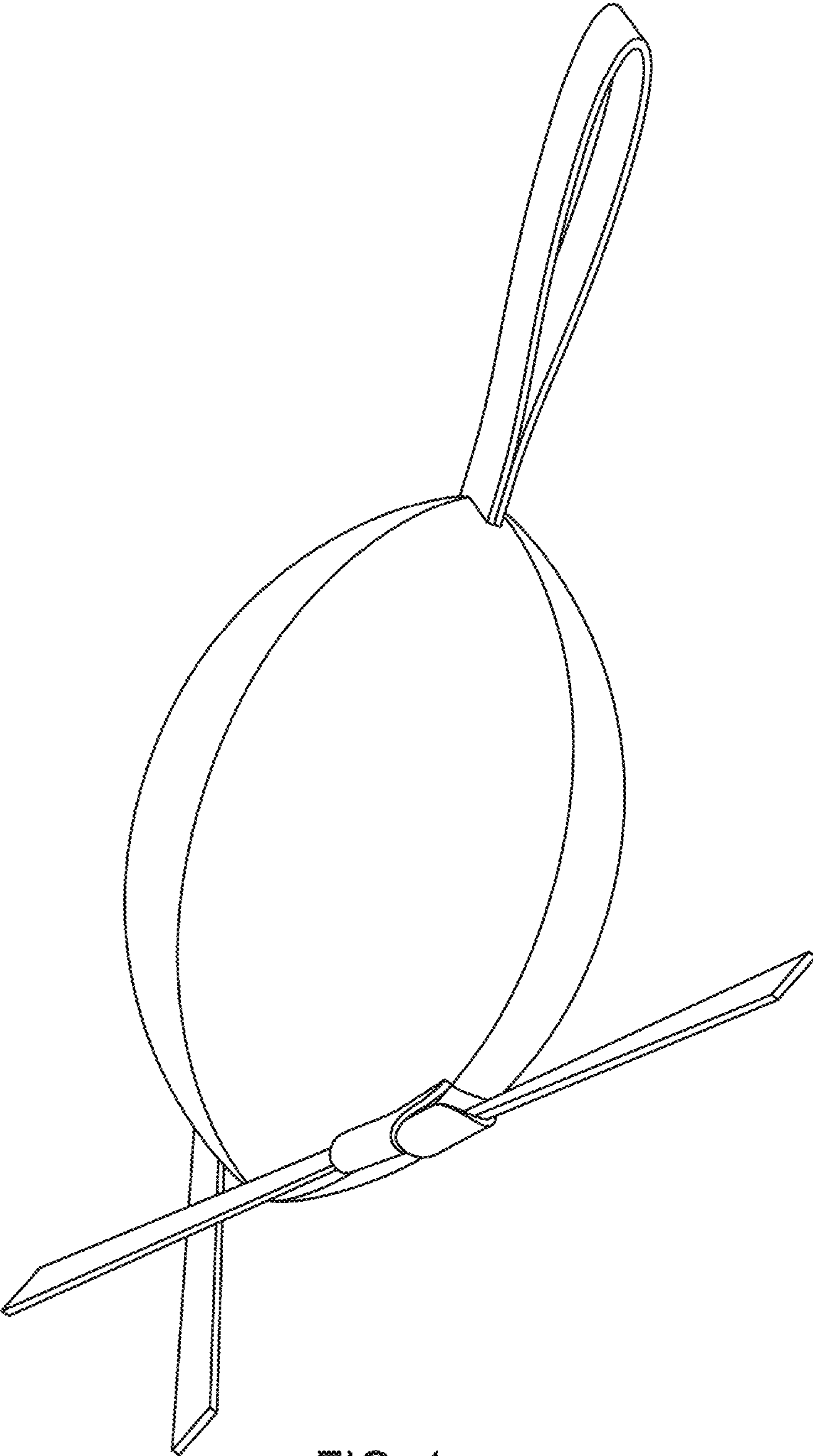


FIG. 1

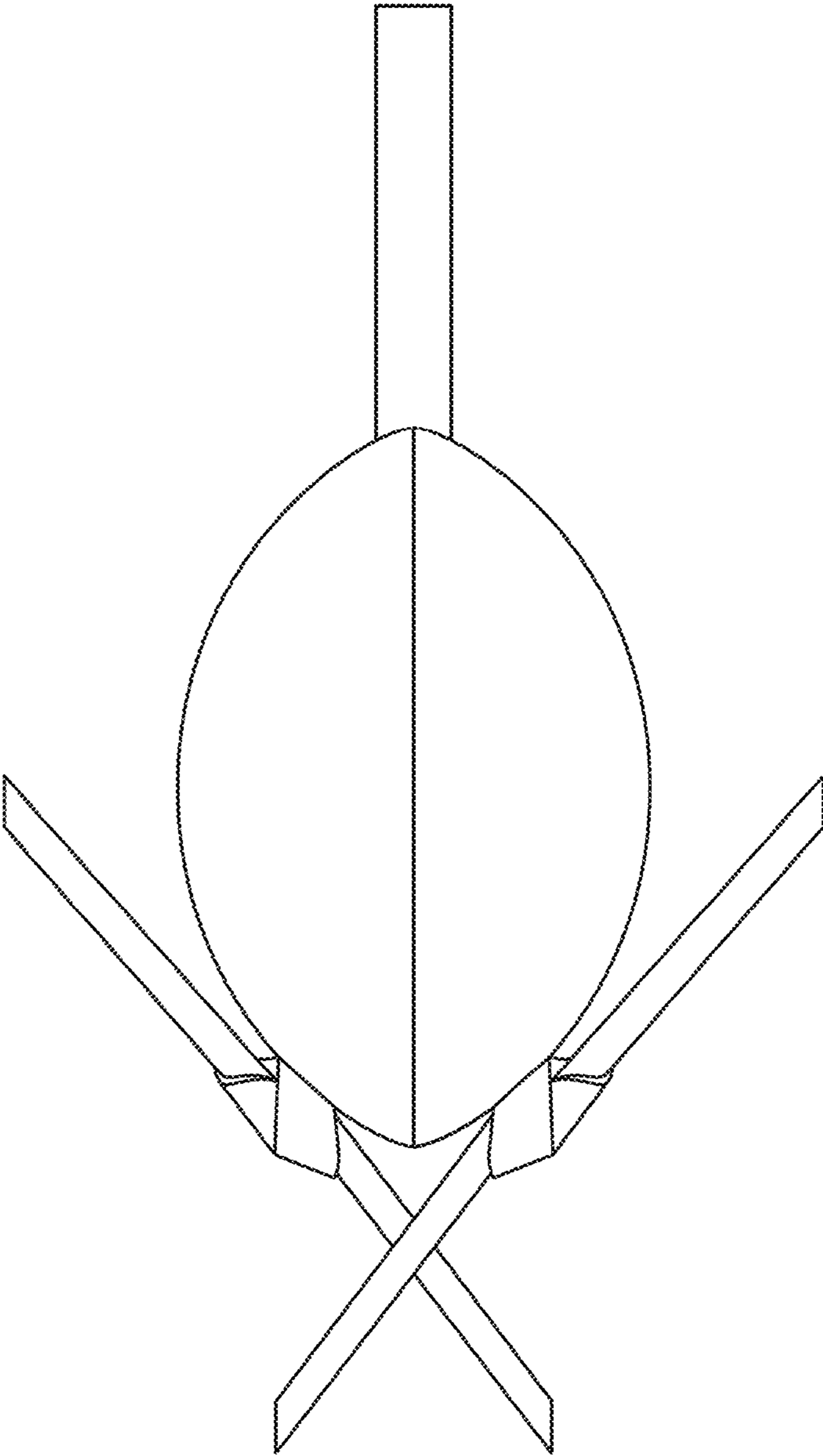


FIG. 2

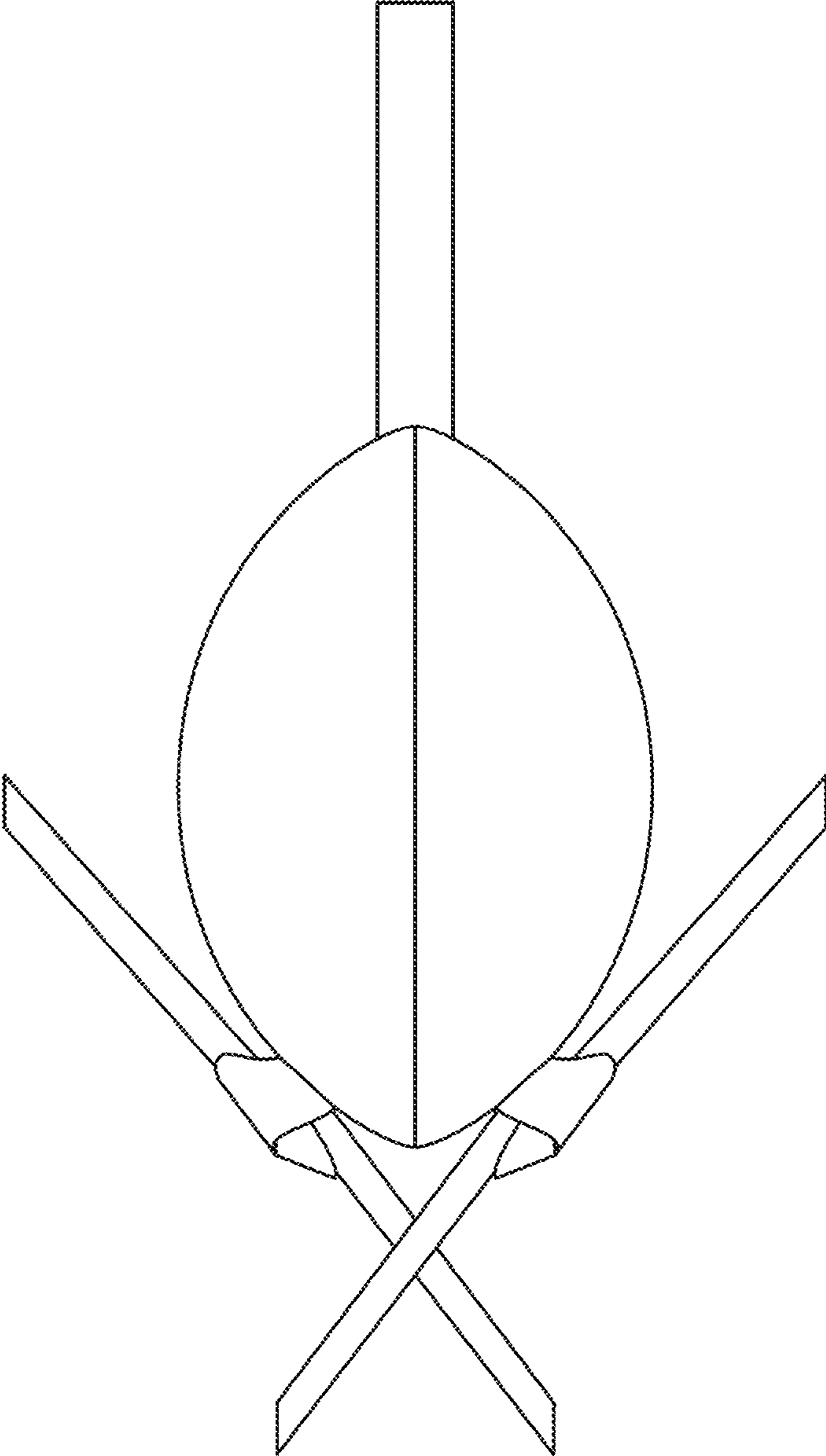


FIG. 3

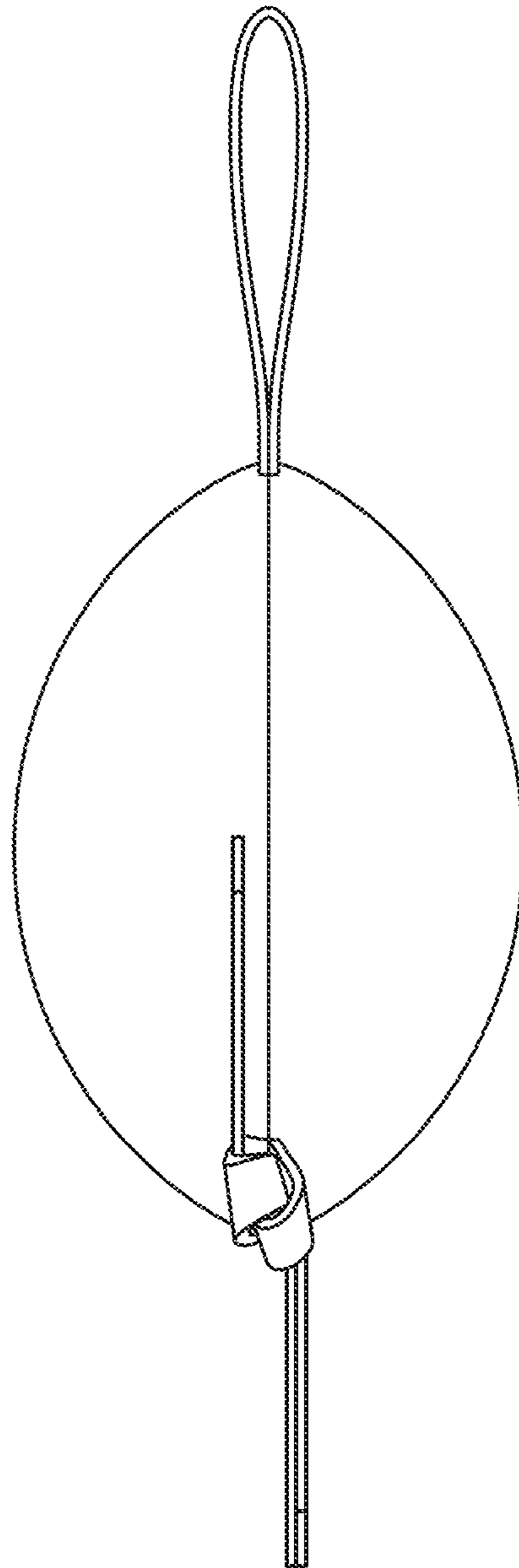


FIG. 4

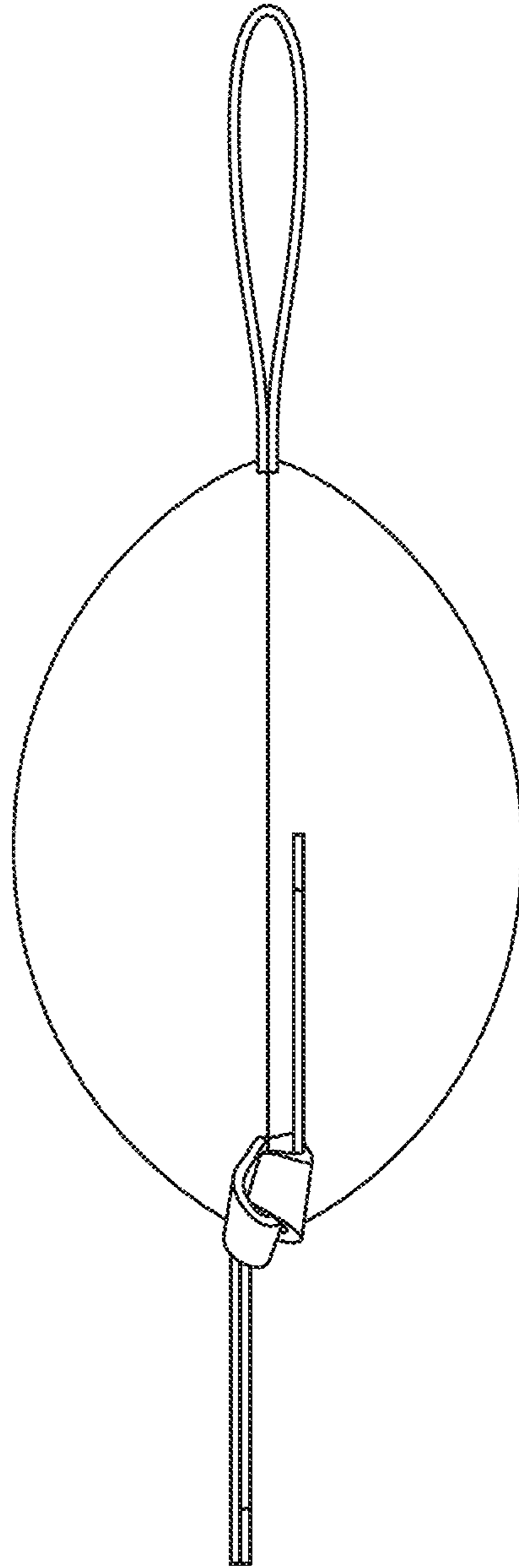


FIG. 5

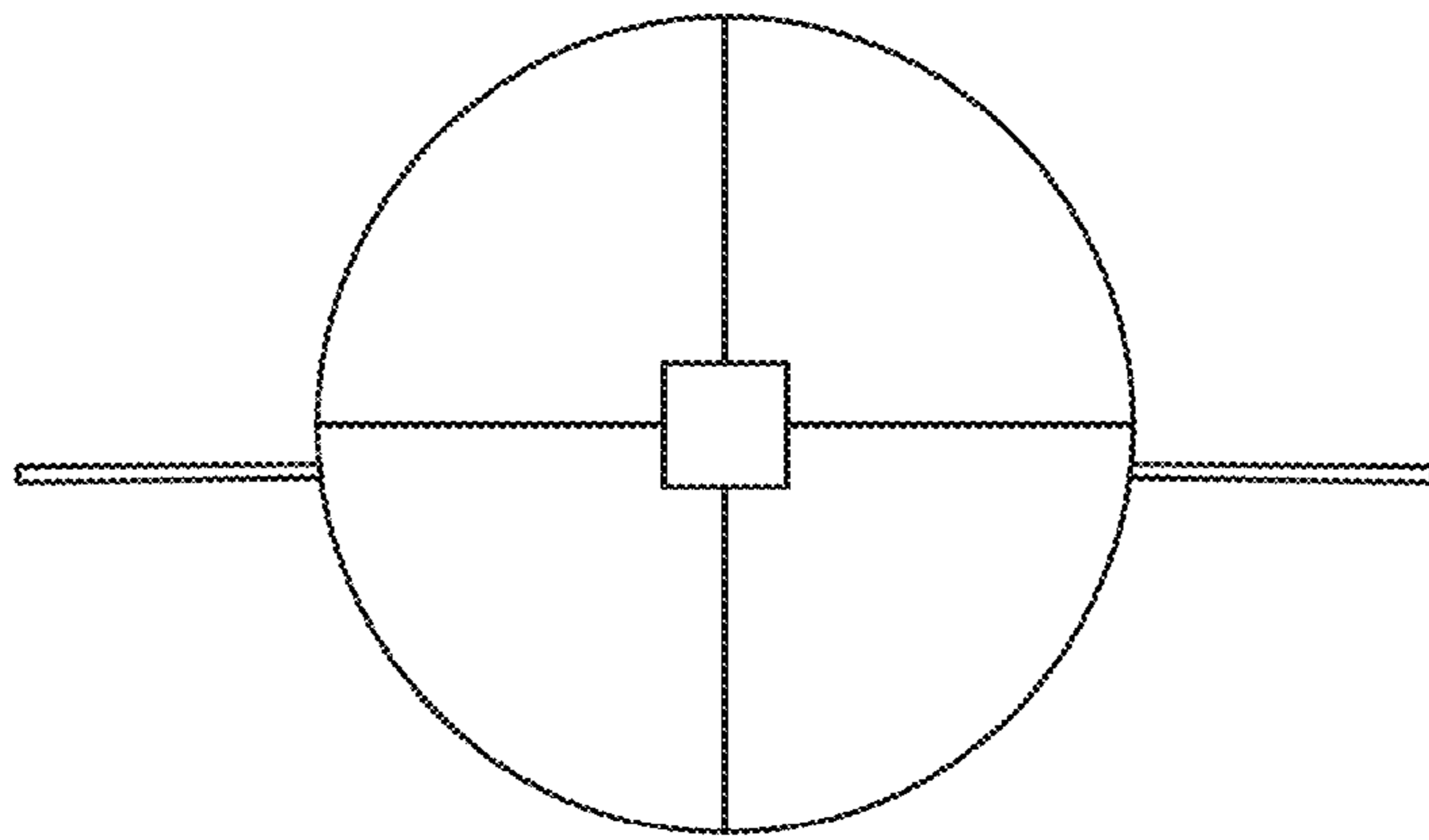


FIG. 6



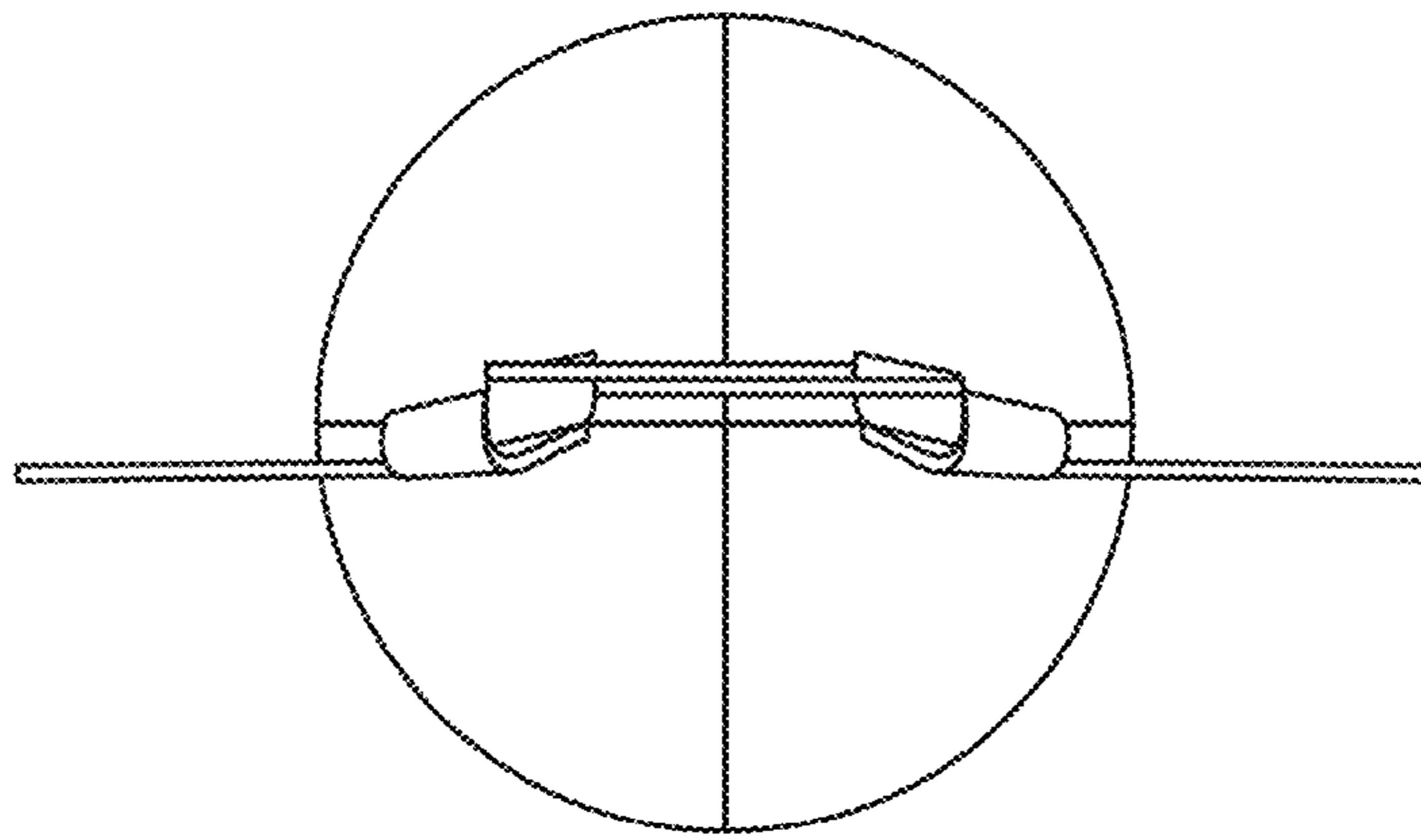


FIG. 7

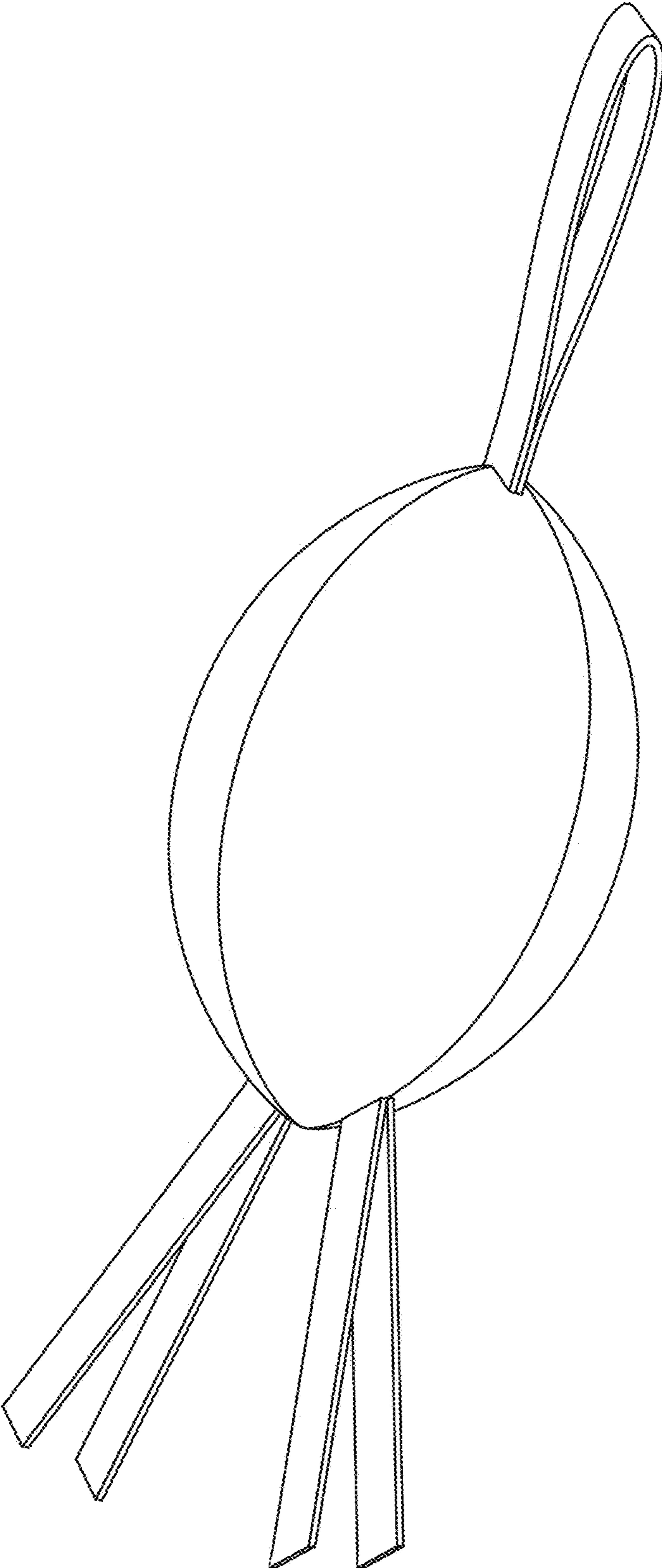


FIG. 8

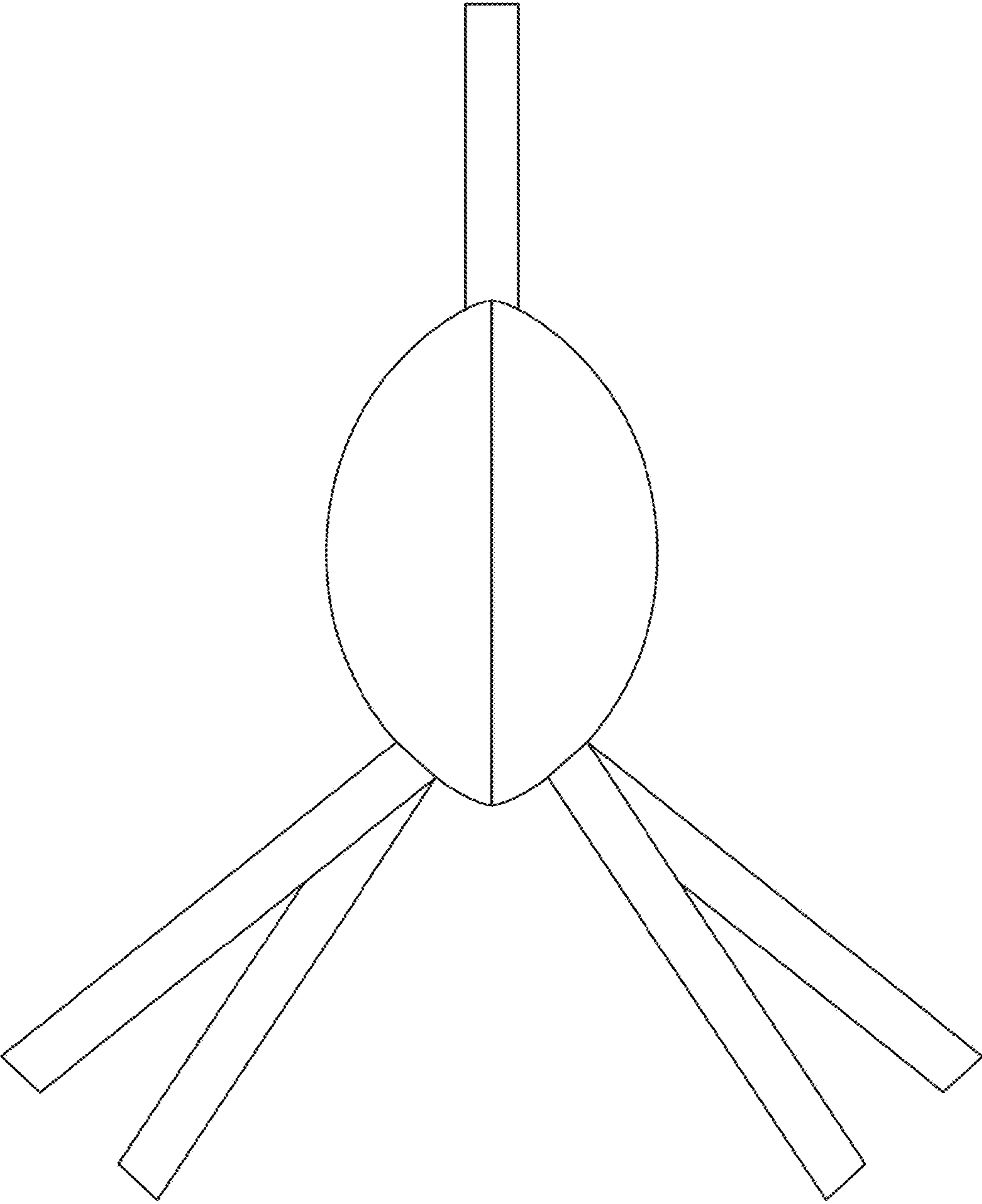


FIG. 9

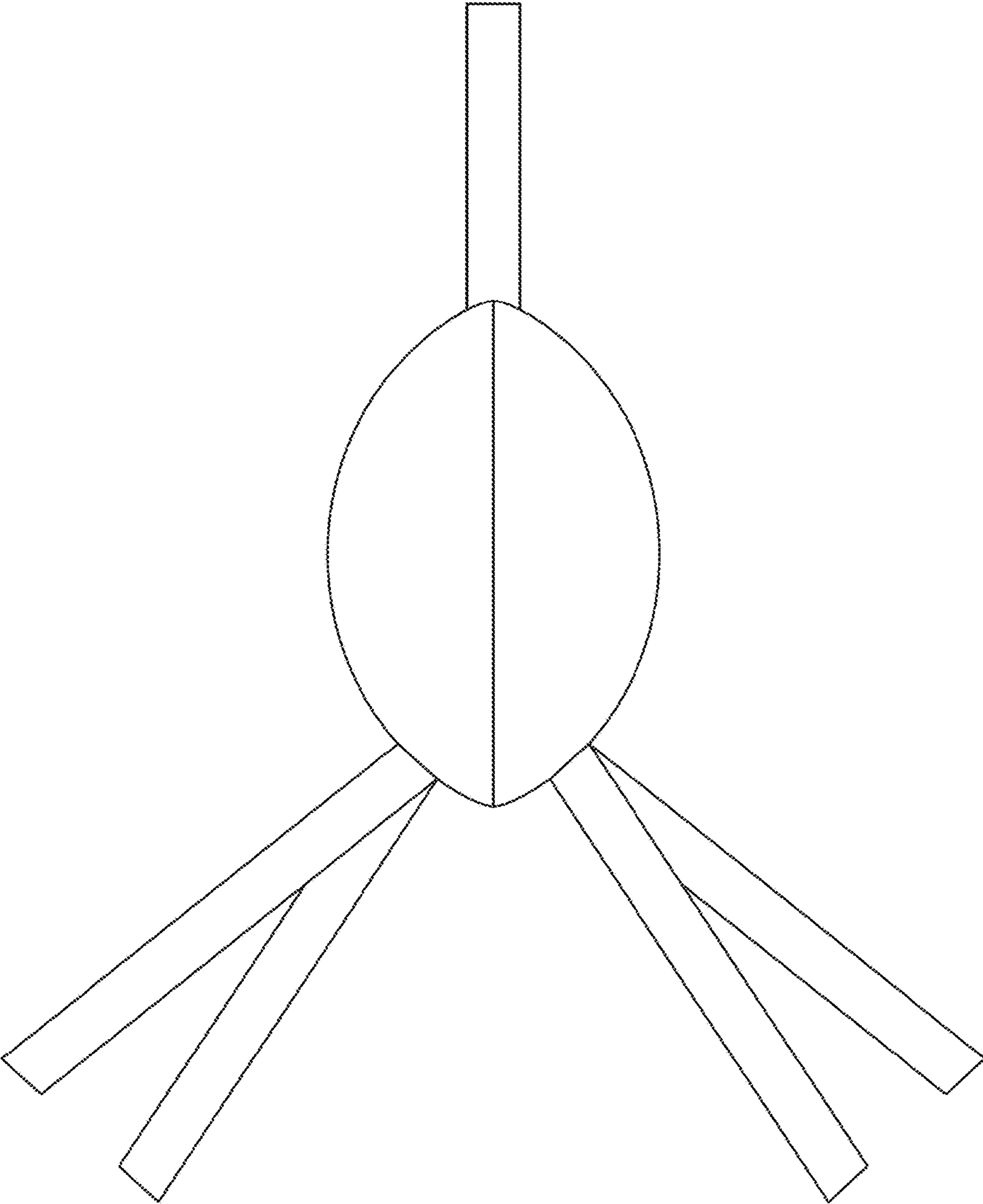


FIG. 10

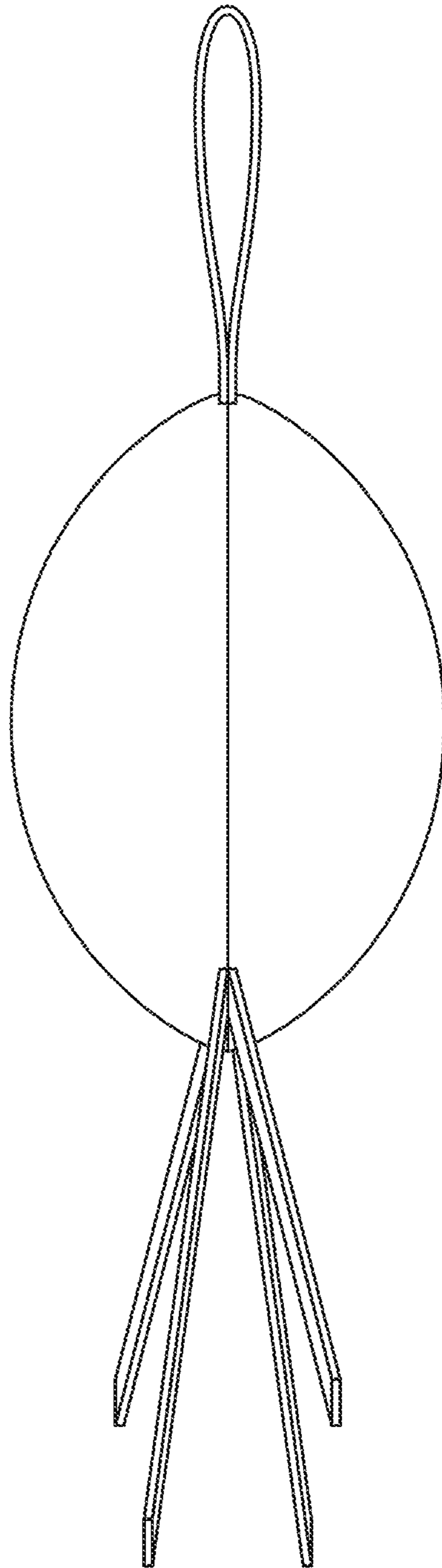


FIG. 11

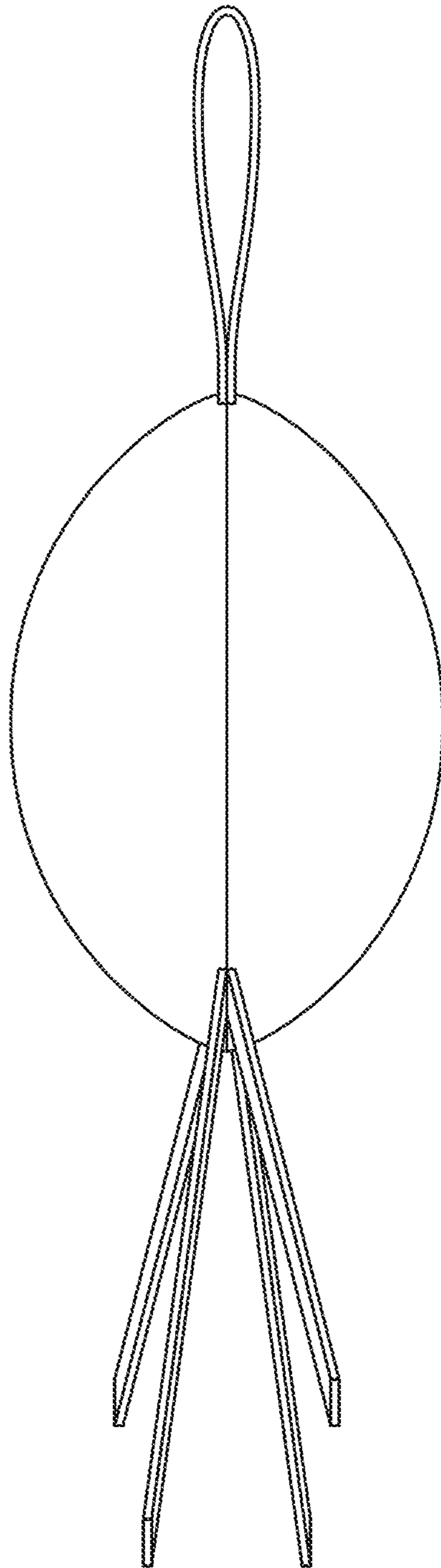


FIG. 12

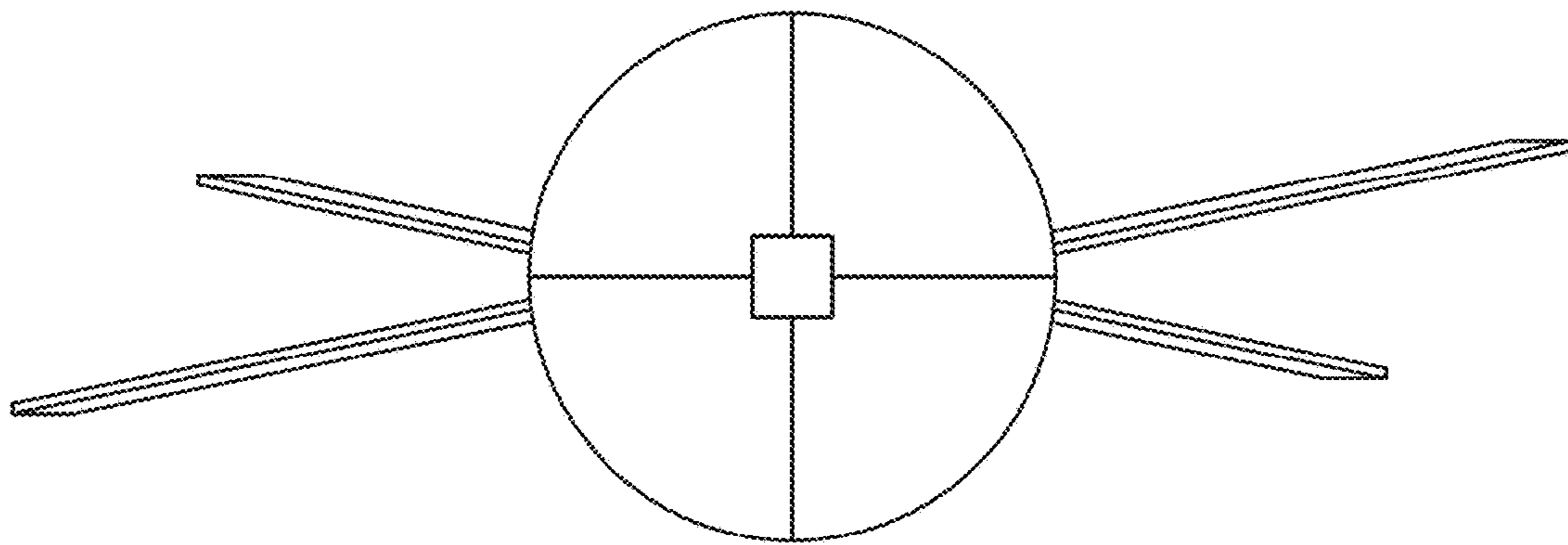


FIG. 13

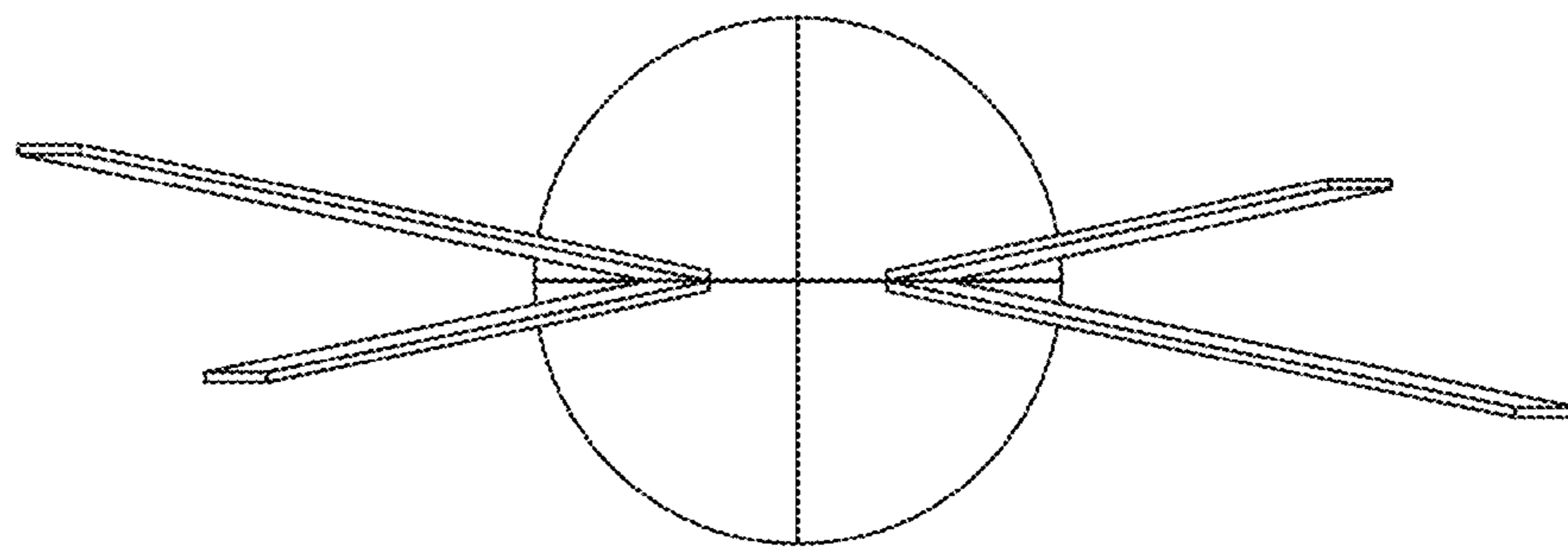


FIG. 14