



US00D794124S

(12) **United States Design Patent** (10) **Patent No.:** **US D794,124 S**
Costas (45) **Date of Patent:** **** Aug. 8, 2017**

(54) **NOTE HOLDER** 2,335,903 A 12/1943 Beckett
D152,497 S * 1/1949 Price et al. D20/10
(71) Applicant: **Trophius Pty Ltd.**, Mascot, New South 2,468,355 A 4/1949 Ambler
Wales (AU) D159,576 S 8/1950 Bamford
2,779,114 A 1/1957 Orthwine
(72) Inventor: **Eric Costas**, Mascot (AU) 2,779,650 A 1/1957 Lamothe
3,090,347 A 5/1963 Harnett, Jr.
(73) Assignee: **Trophius Pty Ltd.**, Cremorne (AU) D218,874 S 9/1970 Whittaker
3,604,727 A 9/1971 Wilkin
(**) Term: **15 Years** D243,715 S * 3/1977 Trinnell 128/DIG. 26
(Continued)

(21) Appl. No.: **29/560,214**

FOREIGN PATENT DOCUMENTS

(22) Filed: **Apr. 4, 2016**

AU 346443 1/2013
AU 346543 1/2013

Related U.S. Application Data

(62) Division of application No. 29/511,315, filed on Dec. 9, 2014, now Pat. No. Des. 755,892, which is a division of application No. 29/484,104, filed on Mar. 6, 2014, now Pat. No. Des. 719,217.

(51) **LOC (10) Cl.** **19-02**

(52) **U.S. Cl.**
USPC **D19/86**

(58) **Field of Classification Search**
USPC D8/394, 395; D19/65, 75, 86, 90, 91, 92;
D20/43
CPC B42D 5/005; B42D 5/006; B42D 5/007;
B42D 5/008; B42F 9/001; B42F 9/002;
B42F 1/02; B43L 5/02; G09F 7/02; G09F
7/04; G09F 7/06; A47G 1/14; A47G
1/141

See application file for complete search history.

(56) **References Cited**

U.S. PATENT DOCUMENTS

D26,461 S 12/1896 Sassenhoff
819,504 A 5/1906 Benedict
921,271 A 5/1909 Munger
1,618,384 A 2/1927 Morris
1,730,241 A 10/1929 Porter
1,973,989 A 9/1934 Lukacs
D118,748 S 1/1940 Sprague

OTHER PUBLICATIONS

<http://www.officedepot.com/a/products/352108/Office-Depot-Brand-4-Piece-Stainless/>, Office Depot Brand 4 Piece Stainless Steel Magnet Hook Set Assorted Shapes, 1 color sheet, date unknown, but prior to the filing of this application.

Primary Examiner — Elizabeth Albert
(74) *Attorney, Agent, or Firm* — Banner & Witcoff, Ltd.

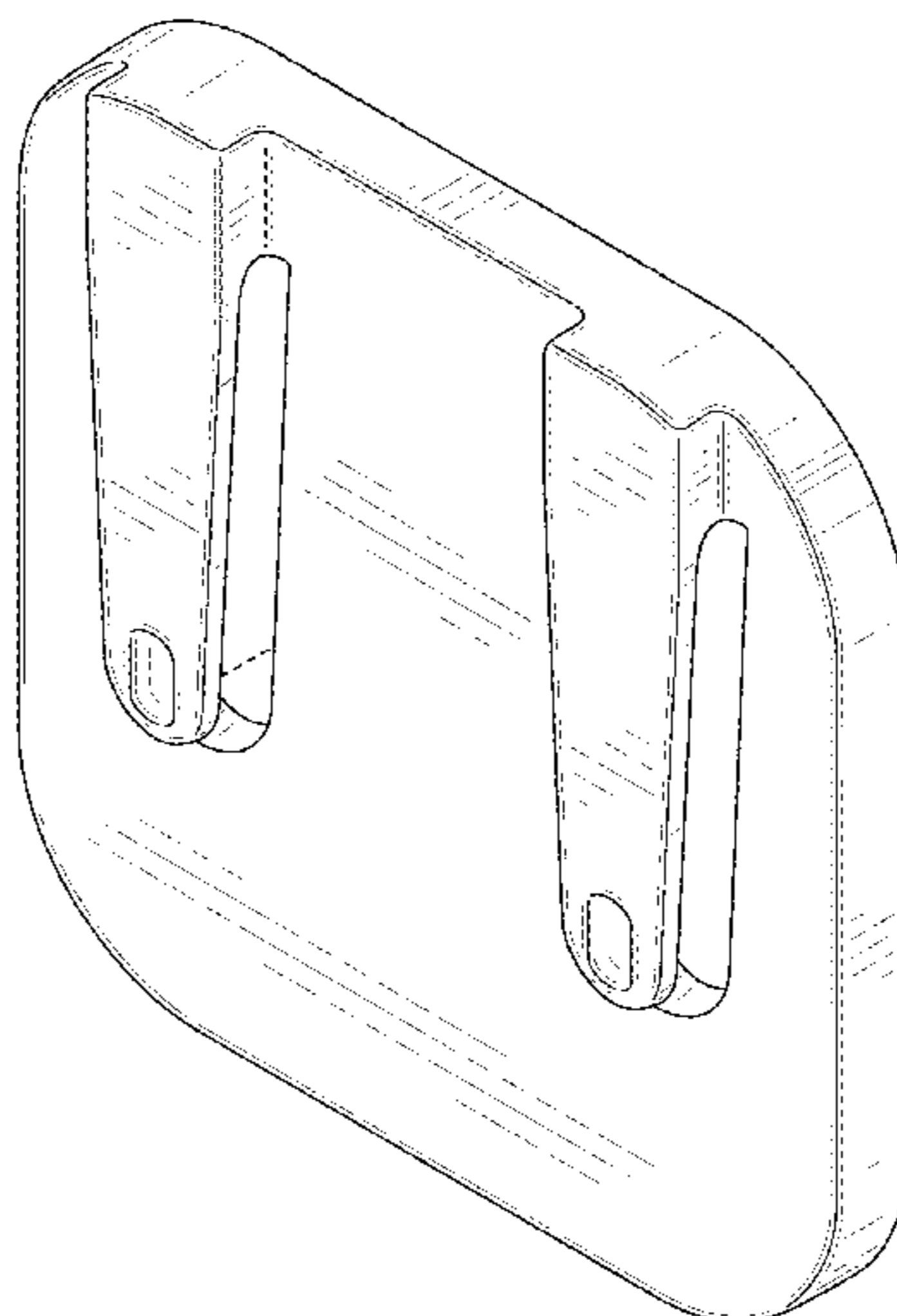
(57) **CLAIM**

The ornamental design for a note holder, as shown and described.

DESCRIPTION

FIG. 1 is a perspective view of a note holder showing my new design;
FIG. 2 is a front view thereof;
FIG. 3 is a top view thereof;
FIG. 4 is a bottom view thereof;
FIG. 5 is a right side view thereof; and,
FIG. 6 is a left side view thereof.
The broken line showing of the remainder of the note holder is for environmental purposes only and forms no part of the claimed design.

1 Claim, 4 Drawing Sheets



(56)

References Cited

U.S. PATENT DOCUMENTS

4,096,655 A 6/1978 Ullman, Jr.
 D251,124 S 2/1979 Takeuchi
 4,236,331 A * 12/1980 Mattson G09F 7/00
 40/1.5
 D268,848 S 5/1983 Lorber
 4,528,800 A 7/1985 Burns
 D303,402 S * 9/1989 Brown D20/10
 D305,036 S 12/1989 Voetsch
 D316,275 S 4/1991 Davis et al.
 D318,625 S 7/1991 Stowell
 D327,095 S 6/1992 Meyer
 D332,220 S 1/1993 Specht et al.
 5,214,825 A 6/1993 Hirzel
 5,339,967 A 8/1994 Valiulis
 5,369,899 A * 12/1994 Reeves A44C 3/001
 24/303
 5,714,215 A * 2/1998 Sheffield G09F 7/12
 248/309.3
 5,975,478 A 11/1999 Marino
 D443,655 S * 6/2001 Chaikel D20/27
 D445,457 S 7/2001 Brumby
 D451,134 S 11/2001 Fonfeder
 D463,824 S 10/2002 Kan
 D467,973 S 12/2002 Rosen

D479,558 S 9/2003 Lorber
 6,671,986 B2 * 1/2004 Reeves A44C 3/001
 40/1.6
 D486,865 S 2/2004 Ivey
 D487,289 S 3/2004 Richter
 7,040,051 B2 5/2006 Windorski
 7,100,884 B2 9/2006 Lorber
 7,857,127 B2 12/2010 Lau
 D631,737 S * 2/2011 Haas D8/395
 D645,515 S 9/2011 Williams, Sr.
 D664,200 S 7/2012 Lau
 8,510,916 B2 8/2013 Kinvi
 D703,267 S 4/2014 Harvey Pennaz
 D715,859 S 10/2014 Costas
 D715,860 S * 10/2014 Costas D19/86
 D715,861 S * 10/2014 Costas D19/86
 D716,377 S * 10/2014 Costas D19/86
 D719,217 S * 12/2014 Costas D19/86
 D719,218 S * 12/2014 Costas D19/86
 D753,222 S * 4/2016 Costas D19/86
 D755,892 S * 5/2016 Costas D19/86
 D776,759 S * 1/2017 Costas D19/86
 D777,840 S * 1/2017 Kott D20/43
 2009/0033648 A1 * 2/2009 Podd B60Q 1/503
 345/211
 2013/0161473 A1 6/2013 Gandiboyina
 2013/0200228 A1 8/2013 Costas

* cited by examiner

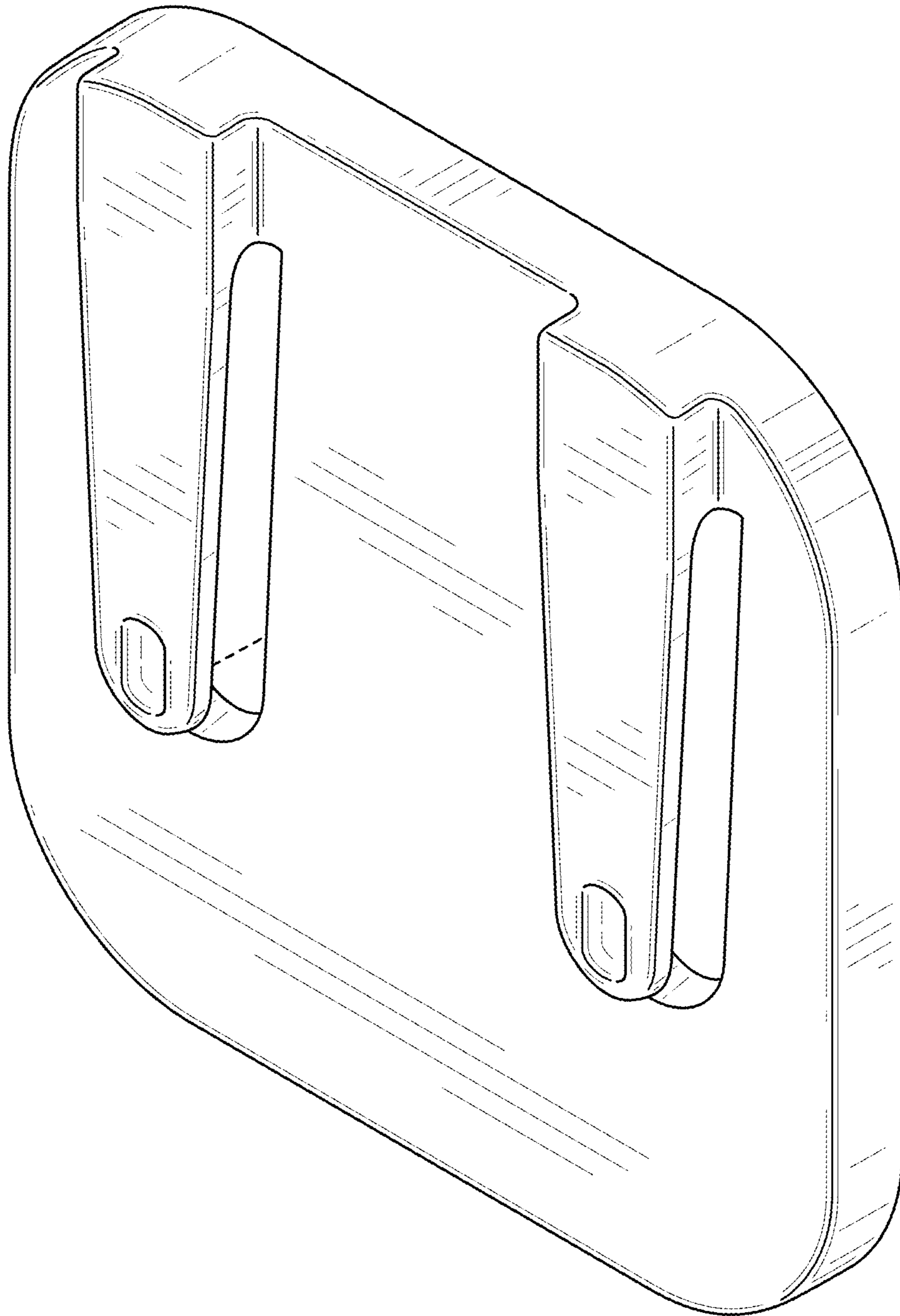


FIG. 1



FIG. 2

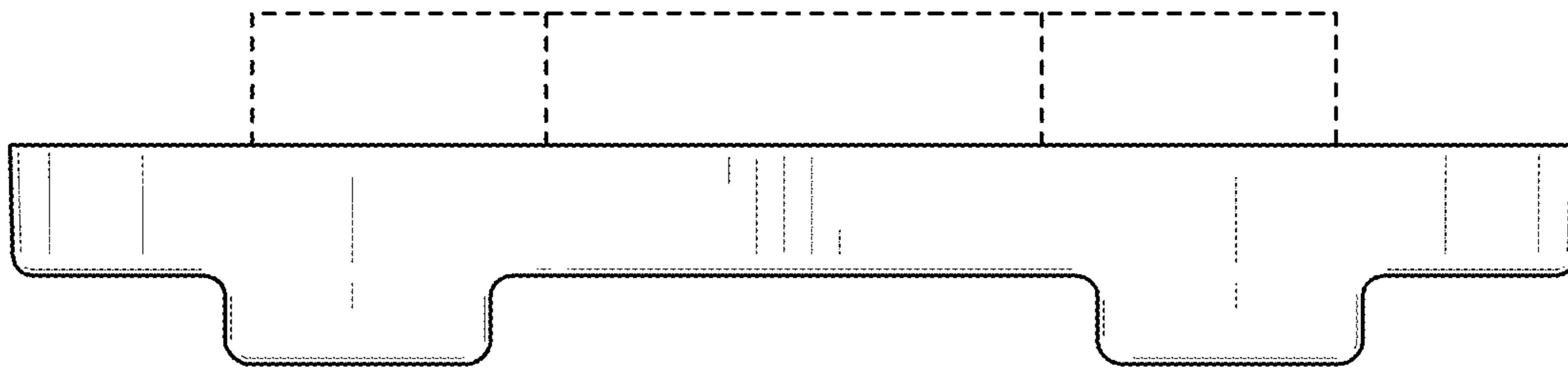


FIG. 3

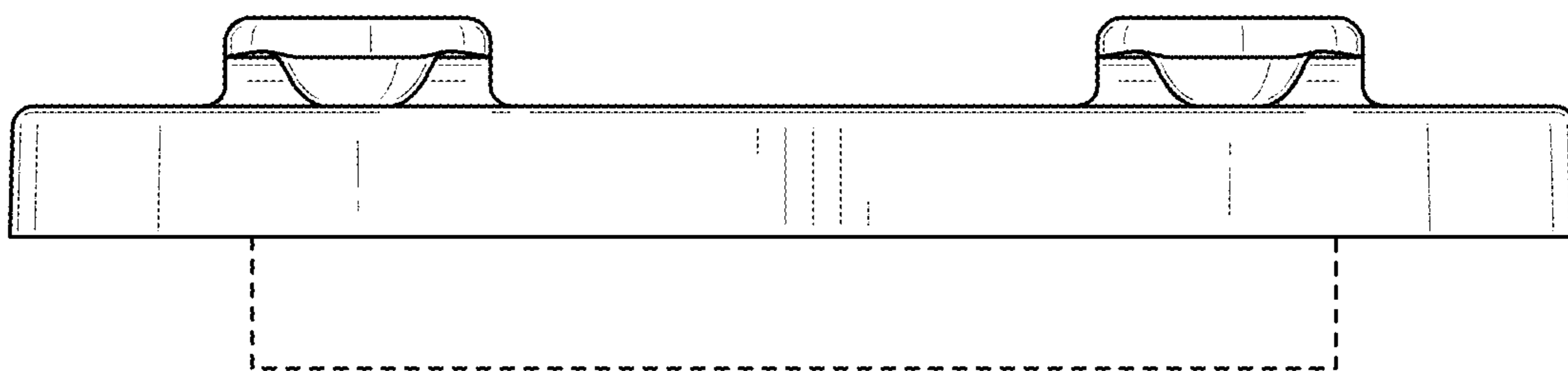


FIG. 4

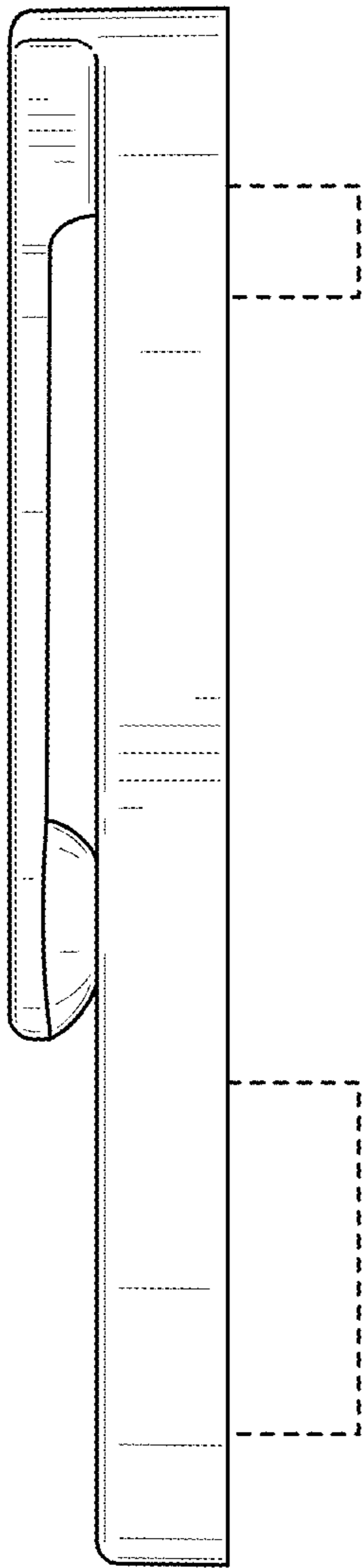


FIG. 5

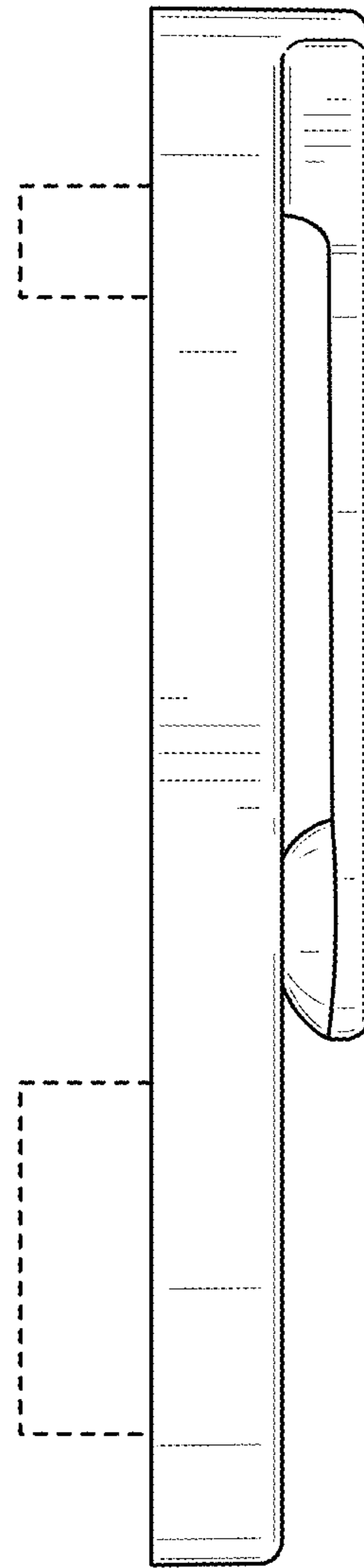


FIG. 6