



US00D794123S

(12) **United States Design Patent** (10) **Patent No.:** **US D794,123 S**  
**Costas** (45) **Date of Patent:** **\*\* Aug. 8, 2017**

(54) **NOTE HOLDER**  
(71) Applicant: **Trophius Pty Ltd.**, Mascot, NSW (AU)  
(72) Inventor: **Eric Costas**, Mascot (AU)  
(73) Assignee: **Trophius Pty Ltd.**, Cremorne (AU)  
(\*\*) Term: **15 Years**

D320,235 S \* 9/1991 Hofman ..... D20/10  
5,214,825 A 6/1993 Hirzel  
5,339,967 A 8/1994 Valiulis  
5,975,478 A 11/1999 Marino  
D445,457 S 7/2001 Brumby  
D451,134 S 11/2001 Fonfeder  
7,100,884 B2 9/2006 Lorber  
D631,737 S \* 2/2011 Haas ..... D8/395  
D645,515 S 9/2011 Williams, Sr.

(Continued)

(21) Appl. No.: **29/505,400**  
(22) Filed: **Oct. 9, 2015**  
(51) **LOC (10) Cl.** ..... **19-02**  
(52) **U.S. Cl.**  
USPC ..... **D19/86**  
(58) **Field of Classification Search**  
USPC .... D8/394, 395; D19/65, 75, 86, 90, 91, 92;  
D20/43  
CPC ..... B42D 5/005; B42D 5/006; B42D 5/007;  
B42D 5/008; B42F 9/001; B42F 9/002;  
B42F 1/02; B43L 5/02; G09F 7/02; G09F  
7/04; G09F 7/06; A47G 1/14; A47G  
1/141  
See application file for complete search history.

**FOREIGN PATENT DOCUMENTS**

AU 346443 1/2013  
AU 346543 1/2013

**OTHER PUBLICATIONS**

<http://www.officedepot.com/a/products/352108/office-Depot-Brand-4-Piece-Stainless/>, Office Depot Brand 4 Piece Stainless Steel Magnet Hook Set Assorted Shapes, 1 color sheet, date unknown, but prior to the filing of this application.

*Primary Examiner* — Elizabeth Albert  
(74) *Attorney, Agent, or Firm* — Banner & Witcoff, Ltd.

(56) **References Cited**

**U.S. PATENT DOCUMENTS**

D26,461 S 12/1896 Sassenhoff  
819,504 A 5/1906 Benedict  
1,618,384 A 2/1927 Morris  
1,730,241 A 10/1929 Porter  
1,973,989 A 9/1934 Lukacs  
D118,748 S 1/1940 Sprague  
2,468,355 A 4/1949 Ambler  
D159,576 S 8/1950 Bamford  
2,779,114 A 1/1957 Orthwine  
2,779,650 A 1/1957 Lamothe  
D218,874 S 9/1970 Whittaker  
3,604,727 A 9/1971 Wilkin  
D243,715 S \* 3/1977 Trimmell ..... 128/DIG. 26  
4,528,800 A 7/1985 Burns  
D316,275 S 4/1991 Davis et al.  
D318,625 S 7/1991 Stowell

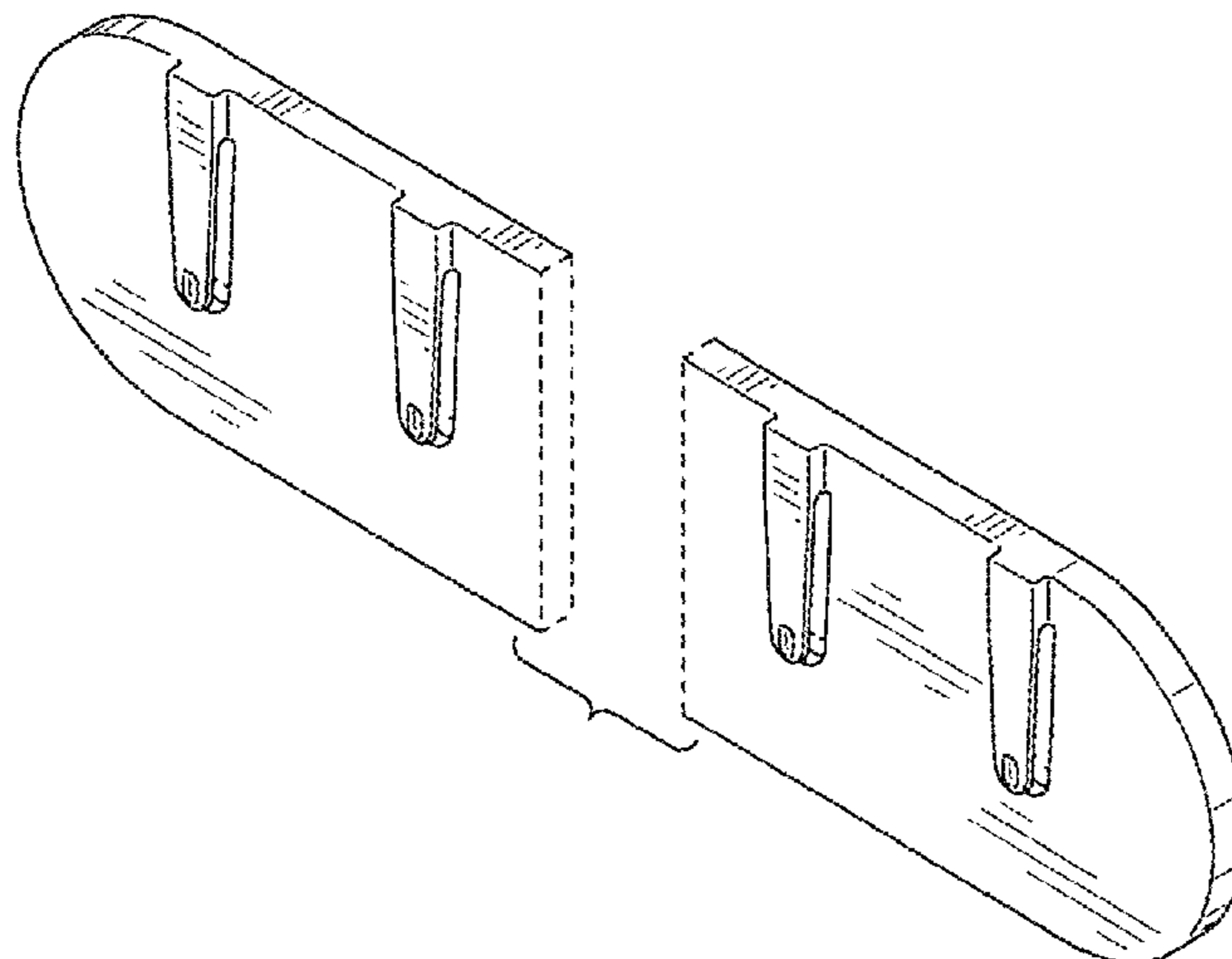
(57) **CLAIM**

The ornamental design for a note holder, as shown and described.

**DESCRIPTION**

FIG. 1 is a perspective view of a note holder showing my new design;  
FIG. 2 is a front view thereof;  
FIG. 3 is a top view thereof;  
FIG. 4 is a bottom view thereof;  
FIG. 5 is a right side view thereof; and,  
FIG. 6 is a left side view thereof.  
The broken away symbols in the drawings indicate the appearance of any portion of the article between the break lines forms no part of the claimed design.

**1 Claim, 2 Drawing Sheets**



(56)

**References Cited**

U.S. PATENT DOCUMENTS

8,510,916	B2	8/2013	Kinvi	
D715,859	S *	10/2014	Costas	..... D19/86
D715,860	S *	10/2014	Costas	..... D19/86
D715,861	S *	10/2014	Costas	..... D19/86
D716,377	S *	10/2014	Costas	..... D19/86
D719,217	S *	12/2014	Costas	..... D19/86
D719,218	S *	12/2014	Costas	..... D19/86
D740,367	S *	10/2015	White	..... D20/41
D753,222	S *	4/2016	Costas	..... D19/86
D755,892	S *	5/2016	Costas	..... D19/86
D776,759	S *	1/2017	Costas	..... D19/86
D777,840	S *	1/2017	Kott	..... D20/43
2013/0200228	A1	8/2013	Costas	

\* cited by examiner

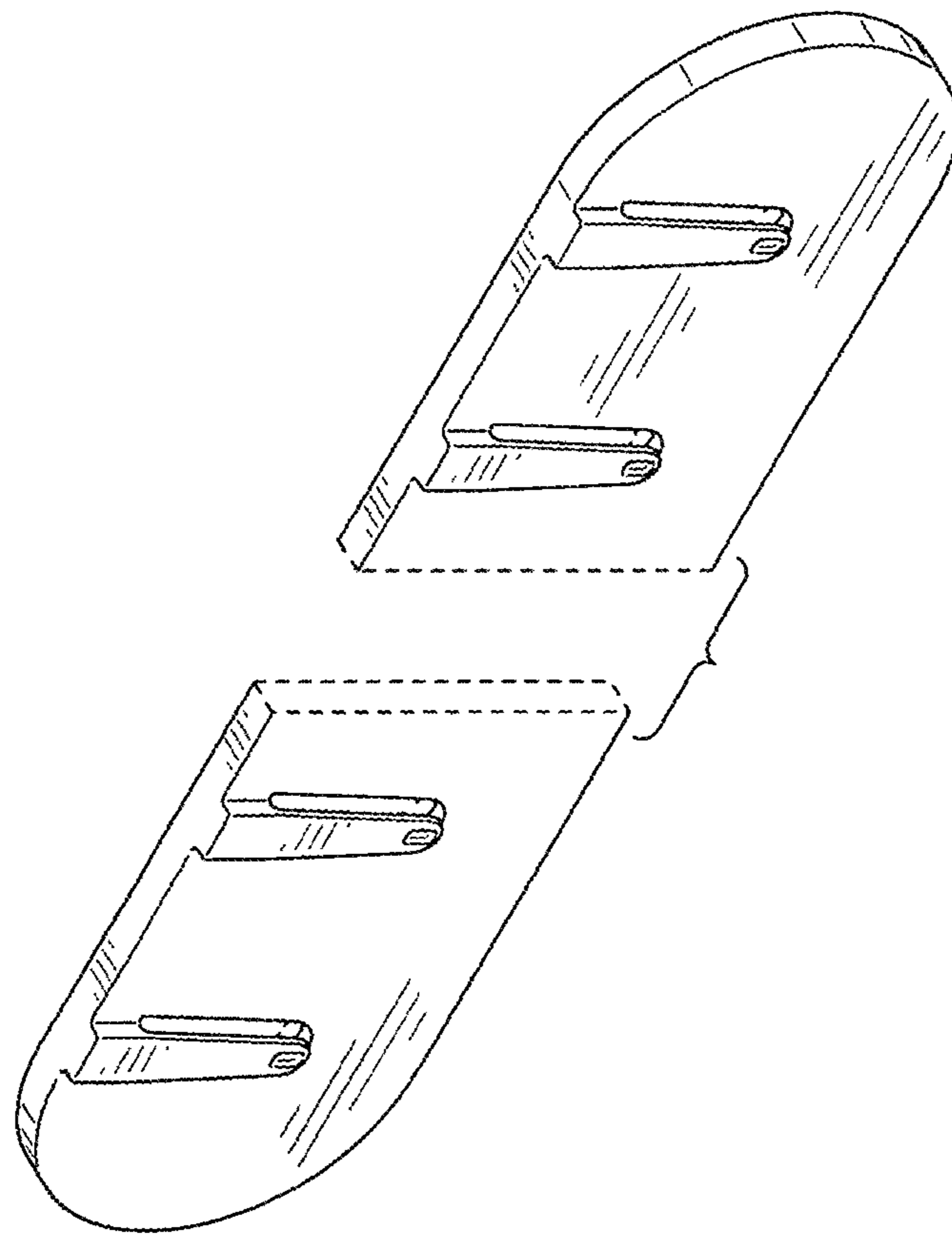


FIG. 1

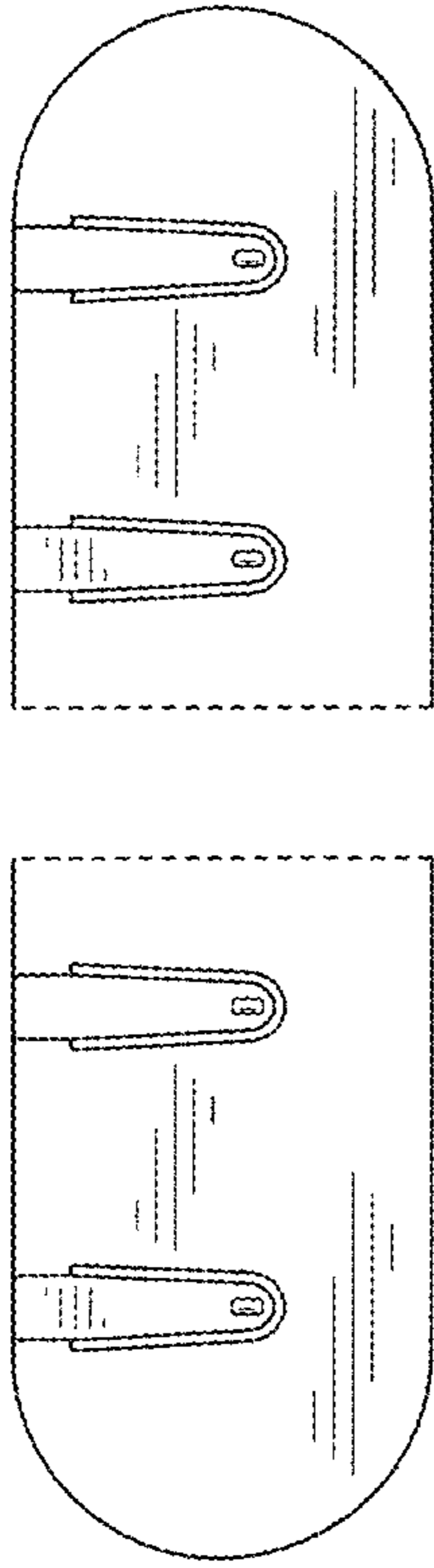


FIG. 2



FIG. 3



FIG. 4

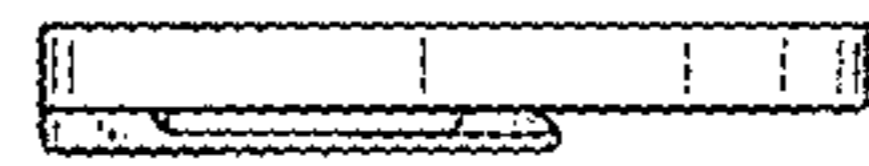


FIG. 5

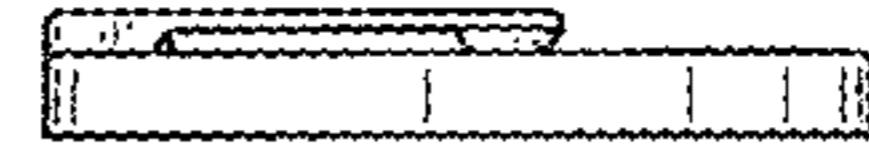


FIG. 6