

US00D794122S

(12) **United States Design Patent** (10) **Patent No.:** **US D794,122 S**  
**Costas** (45) **Date of Patent:** **\*\* Aug. 8, 2017**

(54) **NOTE HOLDER**

(71) Applicant: **Trophius Pty Ltd.**, Mascot, NSW (AU)

(72) Inventor: **Eric Costas**, Mascot (AU)

(73) Assignee: **Trophius Pty Ltd.**, Cremorne (AU)

(\*\*) Term: **15 Years**

(21) Appl. No.: **29/505,399**

(22) Filed: **Oct. 9, 2015**

(51) **LOC (10) Cl.** ..... **19-02**

(52) **U.S. Cl.**  
USPC ..... **D19/86**

(58) **Field of Classification Search**  
USPC .... D8/394, 395; D19/65, 75, 86, 90, 91, 92;  
D20/43  
CPC ..... B42D 5/005; B42D 5/006; B42D 5/007;  
B42D 5/008; B42F 9/001; B42F 9/002;  
B42F 1/02; B43L 5/02; G09F 7/02; G09F  
7/04; G09F 7/06; A47G 1/14; A47G  
1/141

See application file for complete search history.

(56) **References Cited**

**U.S. PATENT DOCUMENTS**

D26,461 S	12/1896	Sassenhoff	
819,504 A	5/1906	Benedict	
1,618,384 A	2/1927	Morris	
1,730,241 A	10/1929	Porter	
1,973,989 A	9/1934	Lukacs	
D118,748 S	1/1940	Sprague	
2,468,355 A	4/1949	Ambler	
D159,576 S	8/1950	Bamford	
2,779,114 A	1/1957	Orthwine	
2,779,650 A	1/1957	Lamothe	
D218,874 S	9/1970	Whittaker	
3,604,727 A	9/1971	Wilkin	
D243,715 S *	3/1977	Trimnell	128/DIG. 26
4,236,331 A *	12/1980	Mattson	G09F 7/00 40/1.5
4,528,800 A	7/1985	Burns	

D303,402 S *	9/1989	Brown	D20/10
D316,275 S	4/1991	Davis et al.	
D318,625 S	7/1991	Stowell	
5,214,825 A	6/1993	Hirzel	
5,339,967 A	8/1994	Valiulis	
5,369,899 A *	12/1994	Reeves	A44C 3/001 24/303
5,975,478 A	11/1999	Marino	
D443,655 S *	6/2001	Chaikel	D20/27

(Continued)

**FOREIGN PATENT DOCUMENTS**

AU	346443	1/2013
AU	346543	1/2013

**OTHER PUBLICATIONS**

<http://www.officedepot.com/a/products/352108/Office-Depot-Brand-4-Piece-Stainless/>, Office Depot Brand 4 Piece Stainless Steel Magnet Hook Set Assorted Shapes, 1 color sheet, date unknown, but prior to the filing of this application.

*Primary Examiner* — Elizabeth Albert

(74) *Attorney, Agent, or Firm* — Banner & Witcoff, Ltd.

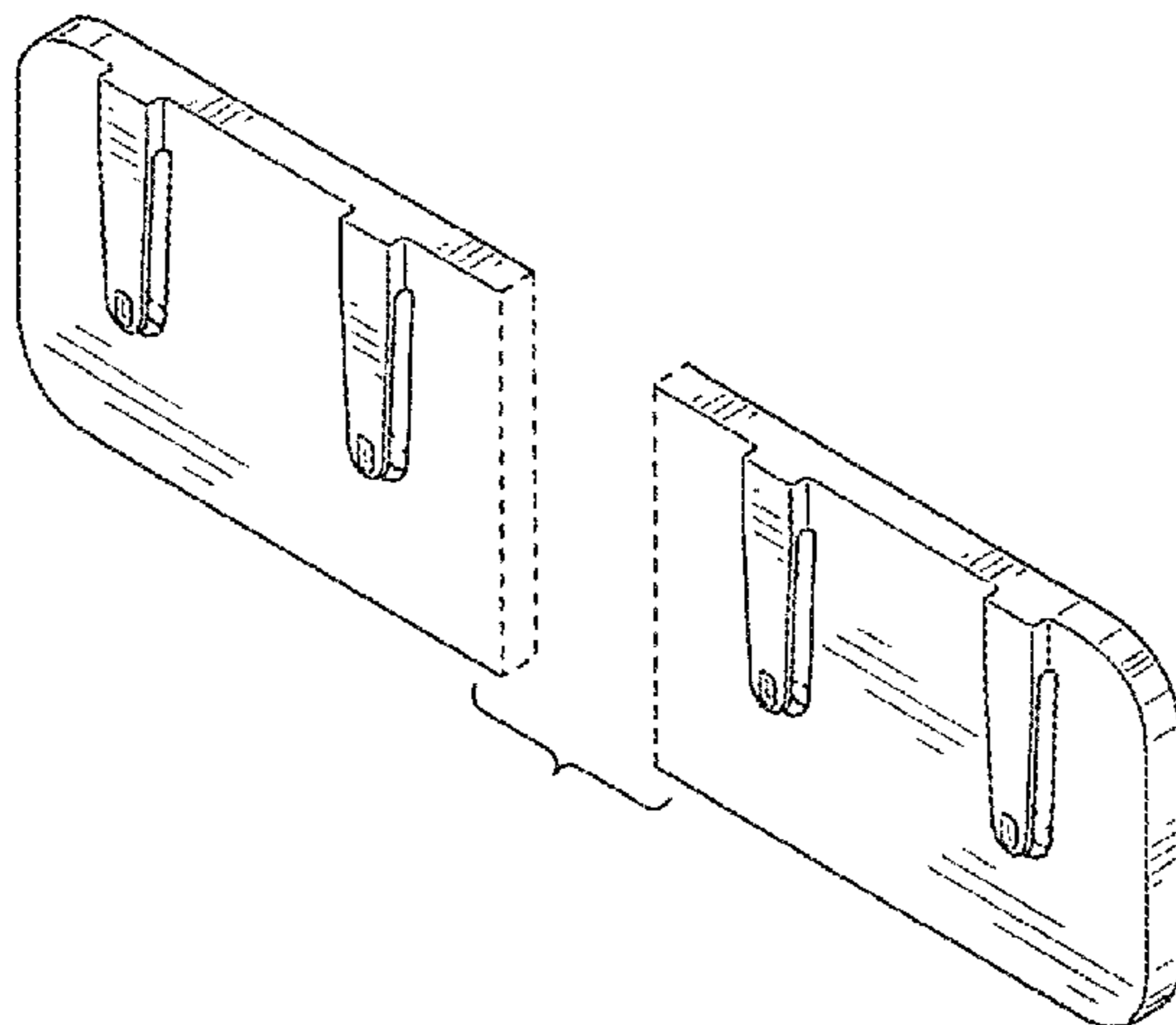
(57) **CLAIM**

The ornamental design for a note holder, as shown and described.

**DESCRIPTION**

FIG. 1 is a perspective view of a note holder showing my new design;  
FIG. 2 is a front view thereof;  
FIG. 3 is a top view thereof;  
FIG. 4 is a bottom view thereof;  
FIG. 5 is a right side view thereof; and,  
FIG. 6 is a left side view thereof.  
The broken away symbols in the drawings indicate the appearance of any portion of the article between the break lines forms no part of the claimed design.

**1 Claim, 2 Drawing Sheets**



(56)

**References Cited**

U.S. PATENT DOCUMENTS

D445,457	S	7/2001	Brumby	
D451,134	S	11/2001	Fonfeder	
6,671,986	B2 *	1/2004	Reeves	..... A44C 3/001 40/1.6
7,100,884	B2	9/2006	Lorber	
D631,737	S *	2/2011	Haas	..... D8/395
D645,515	S	9/2011	Williams, Sr.	
8,510,916	B2	8/2013	Kinvi	
D715,859	S *	10/2014	Costas	..... D19/86
D715,860	S *	10/2014	Costas	..... D19/86
D715,861	S *	10/2014	Costas	..... D19/86
D716,377	S *	10/2014	Costas	..... D19/86
D719,217	S *	12/2014	Costas	..... D19/86
D719,218	S *	12/2014	Costas	..... D19/86
D753,222	S *	4/2016	Costas	..... D19/86
D755,892	S *	5/2016	Costas	..... D19/86
D776,759	S *	1/2017	Costas	..... D19/86
2009/0033648	A1 *	2/2009	Podd	..... B60Q 1/503 345/211
2013/0200228	A1	8/2013	Costas	

\* cited by examiner

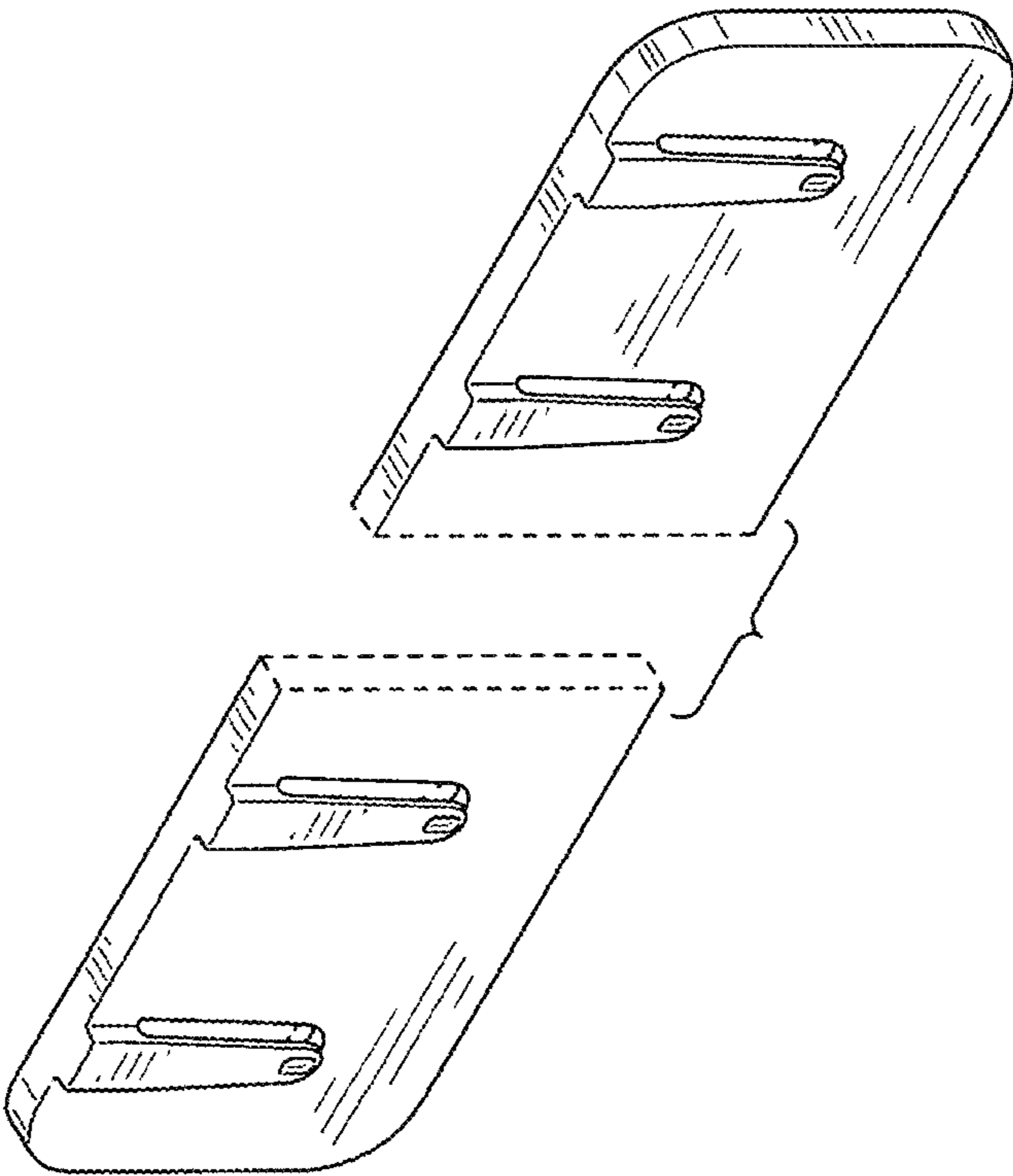


FIG. 1

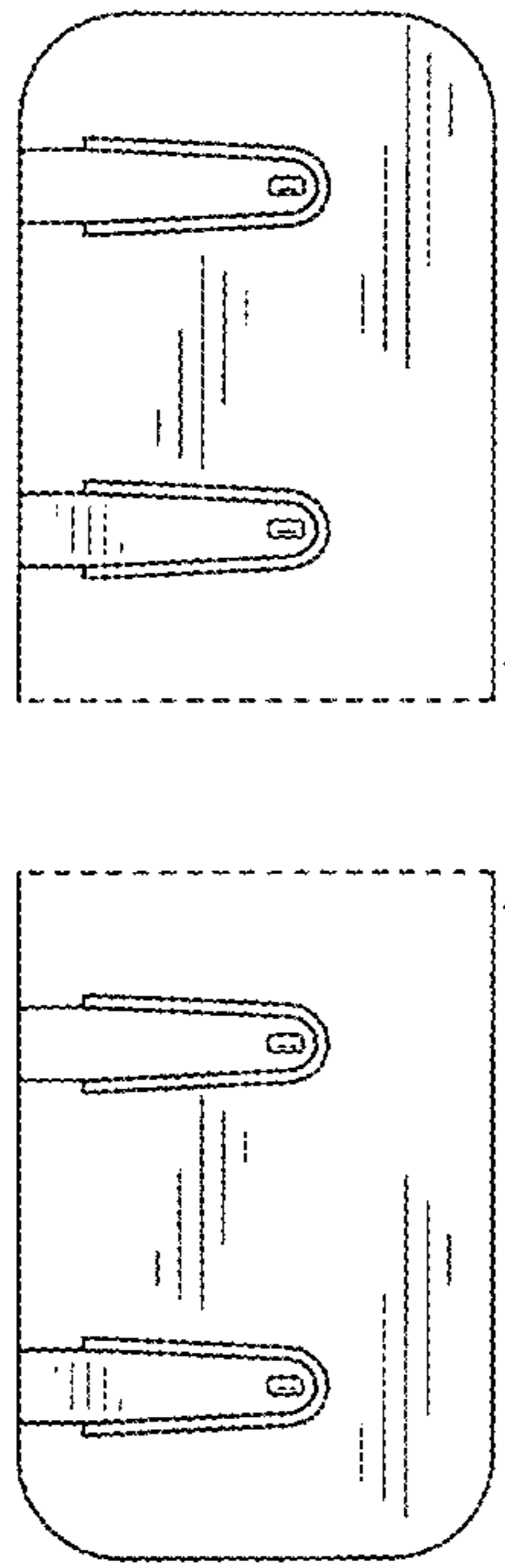


FIG. 2



FIG. 3



FIG. 4



FIG. 5

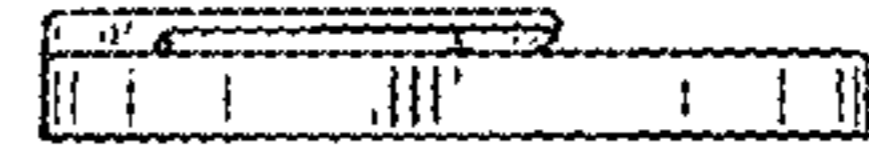


FIG. 6