



US00D794121S

(12) **United States Design Patent** (10) **Patent No.:** **US D794,121 S**
Costas (45) **Date of Patent:** **** Aug. 8, 2017**

(54) **NOTE HOLDER**

(71) Applicant: **Trophius Pty Ltd.**, Mascot, NSW (AU)
(72) Inventor: **Eric Costas**, Mascot (AU)
(73) Assignee: **Trophius Pty Ltd.**, Cremorne (AU)
(**) Term: **15 Years**
(21) Appl. No.: **29/505,398**

(22) Filed: **Oct. 9, 2015**

(51) **LOC (10) Cl.** **19-02**

(52) **U.S. Cl.**
USPC **D19/86**

(58) **Field of Classification Search**
USPC D8/394, 395; D19/65, 75, 86, 90, 91, 92;
D20/43
CPC B42D 5/005; B42D 5/006; B42D 5/007;
B42D 5/008; B42F 9/001; B42F 9/002;
B42F 1/02; B43L 5/02; G09F 7/02; G09F
7/04; G09F 7/06; A47G 1/14; A47G
1/141
See application file for complete search history.

(56) **References Cited**

U.S. PATENT DOCUMENTS

D26,461 S	12/1896	Sassenhoff	
D819,504	5/1906	Benedict	
921,271 A *	5/1909	Munger D06F 55/00 24/115 H
1,618,384 A	2/1927	Morris	
1,730,241 A	10/1929	Porter	
1,973,989 A	9/1934	Lukacs	
D118,748 S	1/1940	Sprague	
2,468,355 A	4/1949	Ambler	
D159,576 S	8/1950	Bamford	
2,779,114 A	1/1957	Orthwine	

(Continued)

FOREIGN PATENT DOCUMENTS

AU	346443	1/2013
AU	346543	1/2013

OTHER PUBLICATIONS

<http://www.officedepot.com/a/products/352108/Office-Depot-Brand-4-Piece-Stainless/>, Office Depot Brand 4 Piece Stainless Steel Magnet Hook Set Assorted Shapes, 1 color sheet, date unknown, but prior to the filing of this application.

Primary Examiner — Elizabeth Albert

(74) *Attorney, Agent, or Firm* — Banner & Witcoff, Ltd.

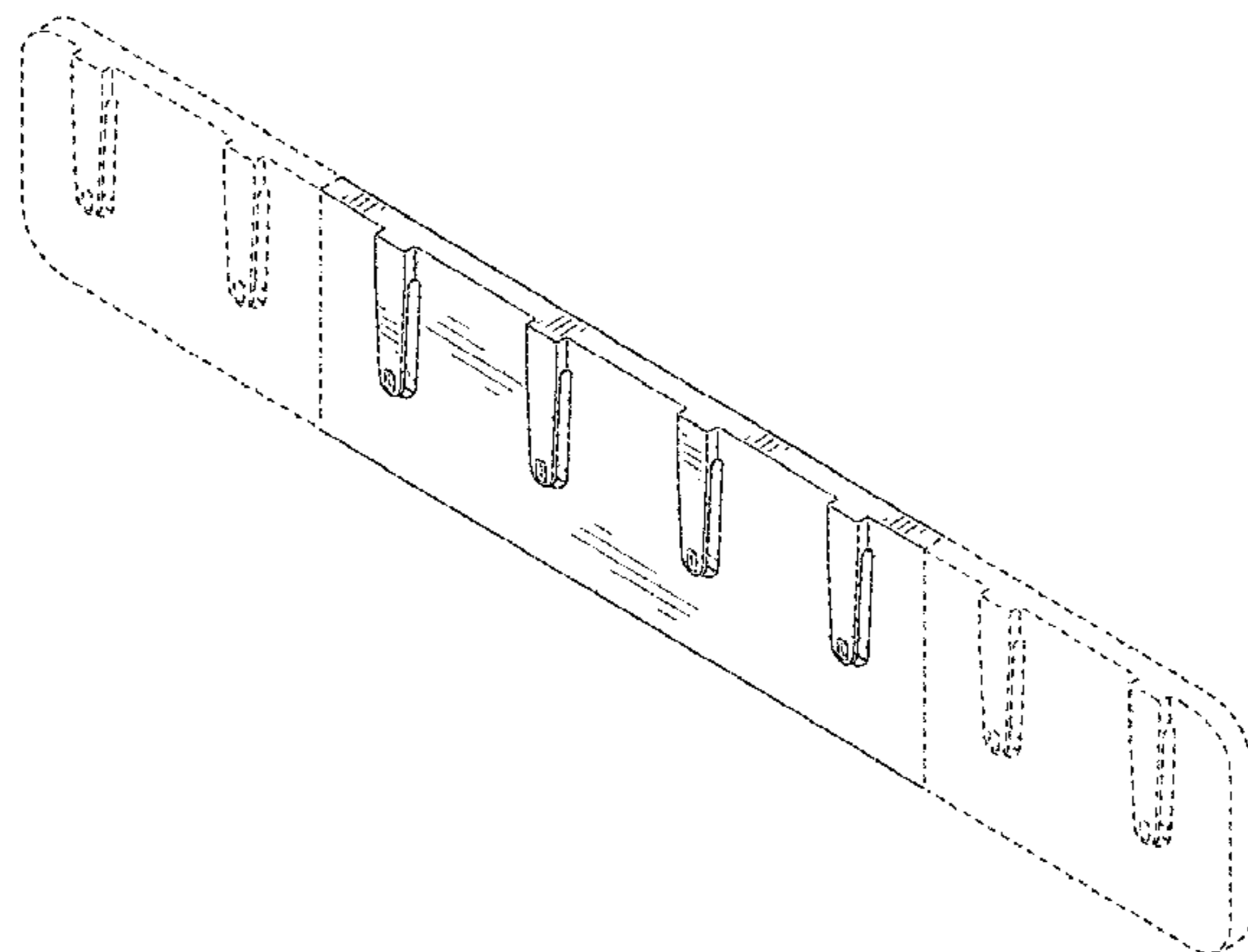
(57) **CLAIM**

The ornamental design for a note holder, as shown and described.

DESCRIPTION

FIG. 1 is a perspective view of a note holder showing my new design;
FIG. 2 is a front view thereof;
FIG. 3 is a top view thereof;
FIG. 4 is a bottom view thereof;
FIG. 5 is a right side view thereof;
FIG. 6 is a left side view thereof;
FIG. 7 is a perspective view of the note holder of FIGS. 1-6 differing only in the disclaimed regions;
FIG. 8 is a front view thereof;
FIG. 9 is a top view thereof;
FIG. 10 is a bottom view thereof;
FIG. 11 is a right side view thereof;
FIG. 12 is a left side view thereof;
FIG. 13 is a perspective view of the note holder of FIGS. 1-12 differing only in the disclaimed regions;
FIG. 14 is a front view thereof;
FIG. 15 is a top view thereof;
FIG. 16 is a bottom view thereof;
FIG. 17 is a right side view; and,
FIG. 18 is a left side view thereof.
The broken line showing of the remainder of the note holder is for environmental purposes only and forms no part of the claimed design.

1 Claim, 6 Drawing Sheets



(56)

References Cited

U.S. PATENT DOCUMENTS

2,779,650	A	1/1957	Lamothe	
D218,874	S	9/1970	Whittaker	
3,604,727	A	9/1971	Wilkin	
D243,715	S *	3/1977	Trimnell 128/DIG. 26
D251,124	S *	2/1979	Takeuchi D19/65
4,528,800	A	7/1985	Burns	
D316,275	S	4/1991	Davis et al.	
D318,625	S	7/1991	Stowell	
5,214,825	A	6/1993	Hirzel	
5,339,967	A	8/1994	Valiulis	
5,975,478	A	11/1999	Marino	
D445,457	S	7/2001	Brumby	
D451,134	S	11/2001	Fonfeder	
D467,973	S *	12/2002	Rosen D19/65
6,840,392	B2 *	1/2005	Lamstein A47F 7/143 206/806
7,100,884	B2	9/2006	Lorber	
7,229,172	B2 *	6/2007	Presswood, Jr. A42B 1/247 24/3.3
D645,515	S	9/2011	Williams, Sr.	
8,510,916	B2	8/2013	Kinvi	
D715,859	S *	10/2014	Costas D19/86
D715,860	S *	10/2014	Costas D19/86
D715,861	S *	10/2014	Costas D19/86
D716,377	S *	10/2014	Costas D19/86
D719,217	S *	12/2014	Costas D19/86
D719,218	S *	12/2014	Costas D19/86
D753,222	S *	4/2016	Costas D19/86
D755,892	S *	5/2016	Costas D19/86
D776,759	S *	1/2017	Costas D19/86
2013/0200228	A1	8/2013	Costas	

* cited by examiner

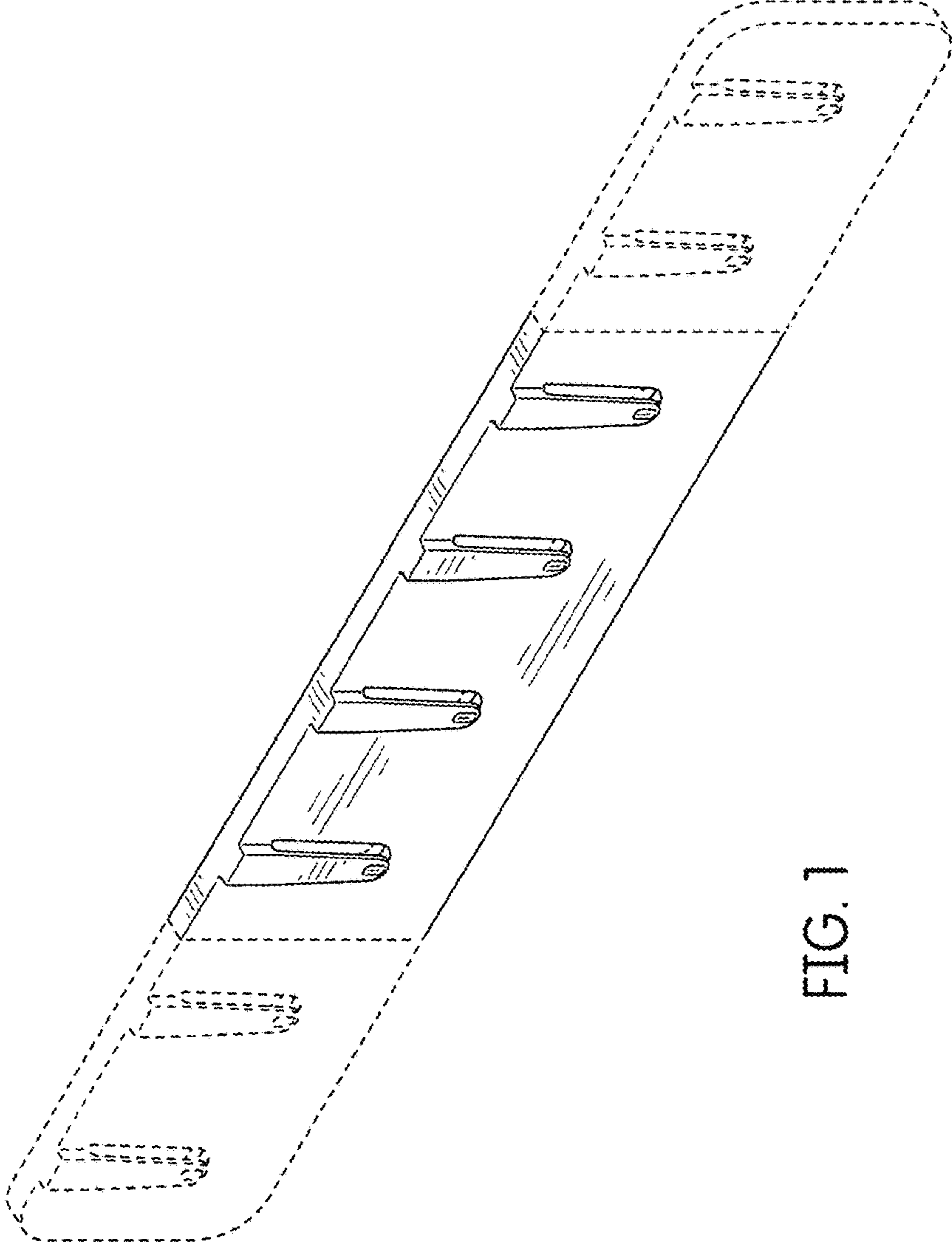


FIG. 1

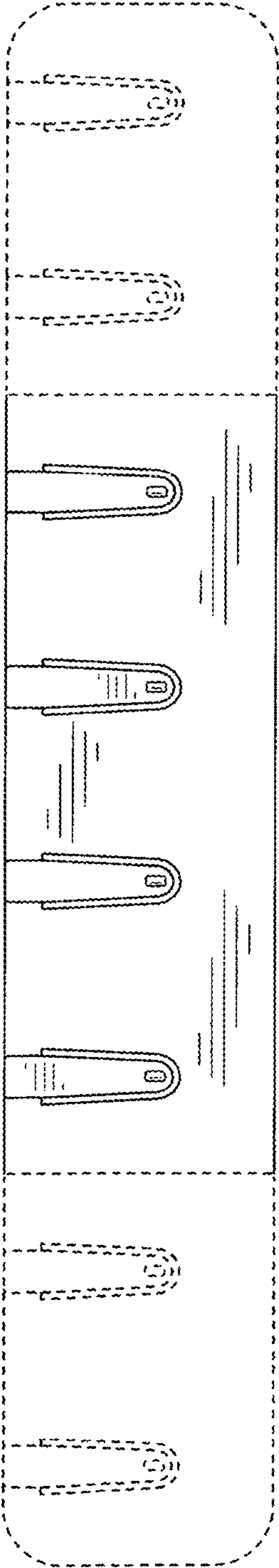


FIG. 2

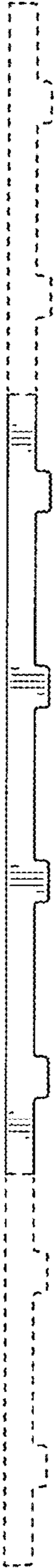


FIG. 3

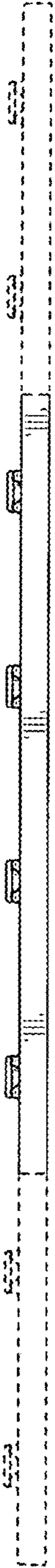


FIG. 4

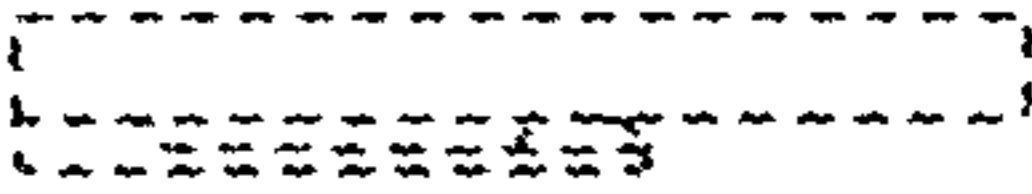


FIG. 5

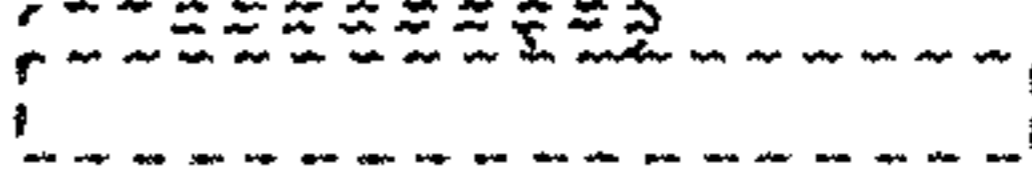


FIG. 6

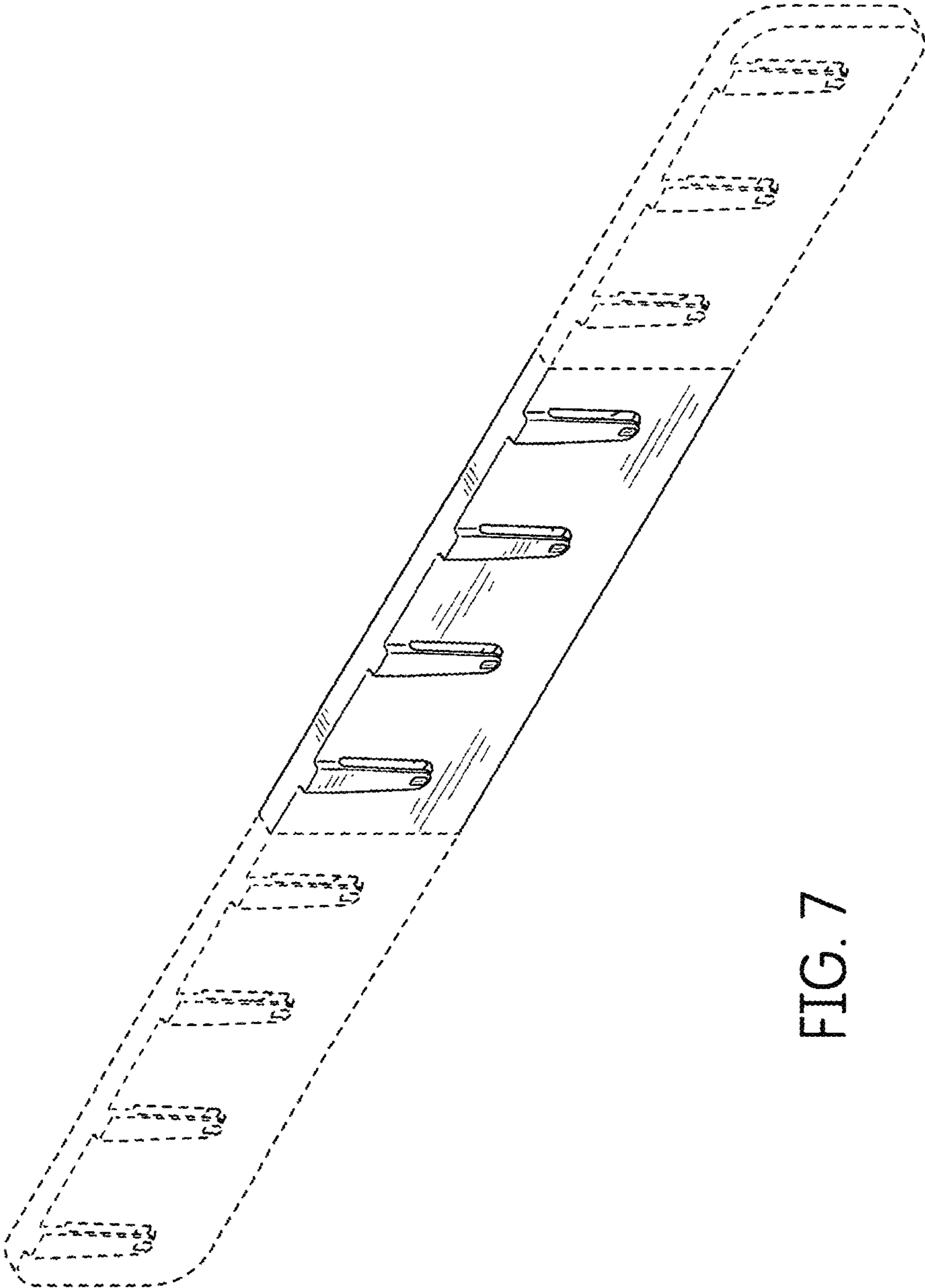


FIG. 7

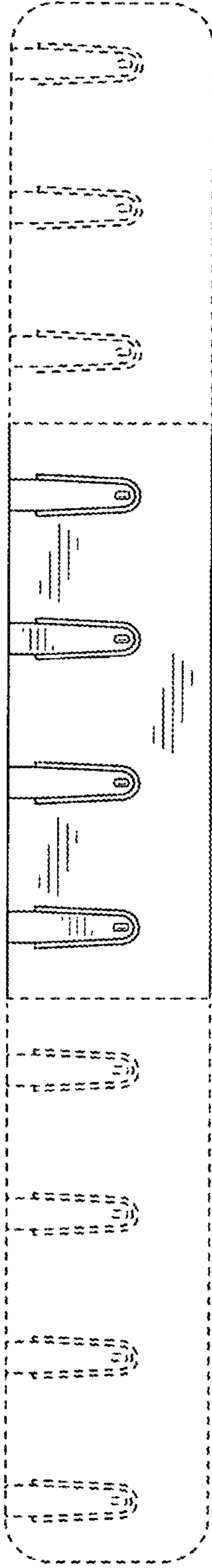


FIG. 8



FIG. 9



FIG. 10



FIG. 11

FIG. 12

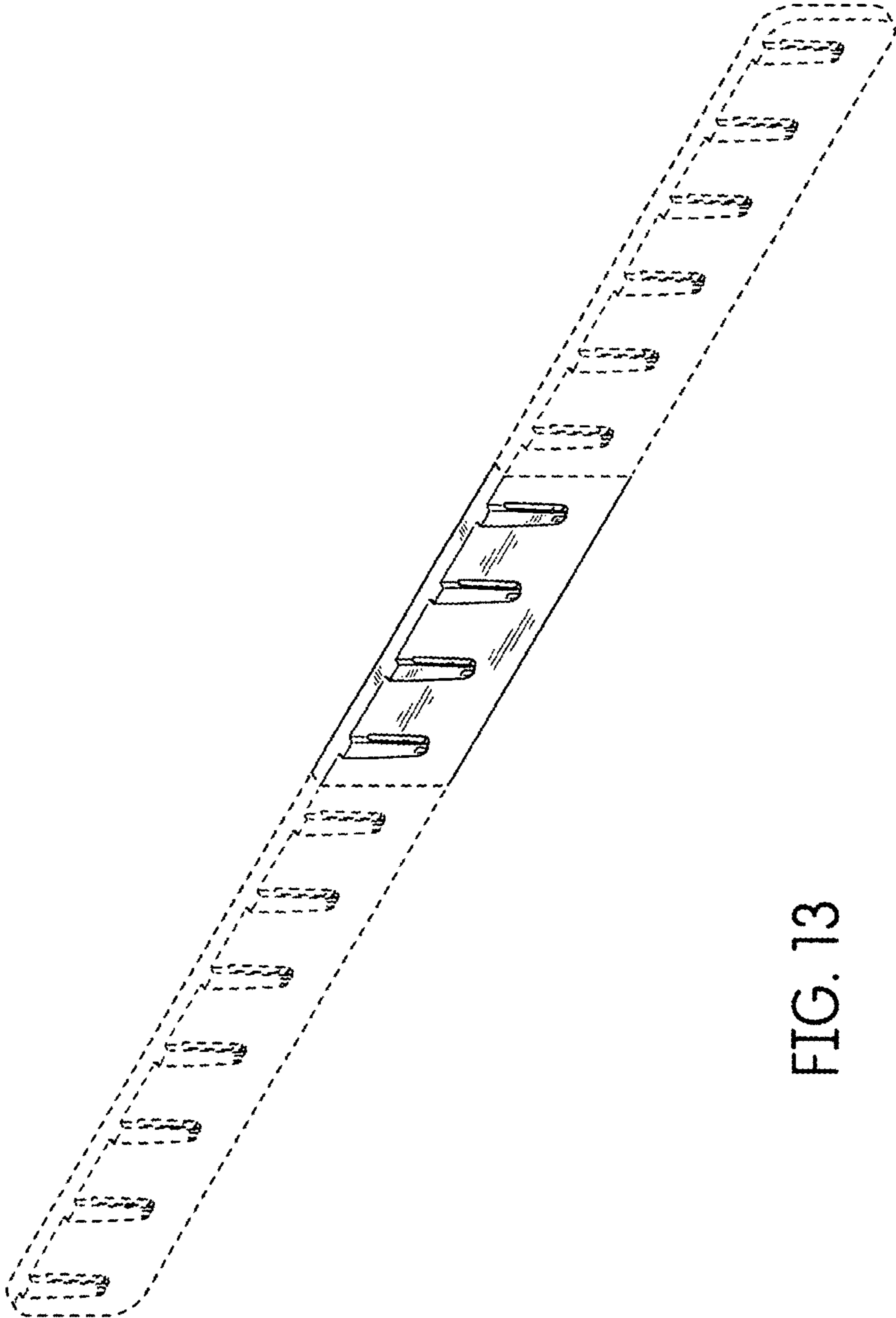


FIG. 13

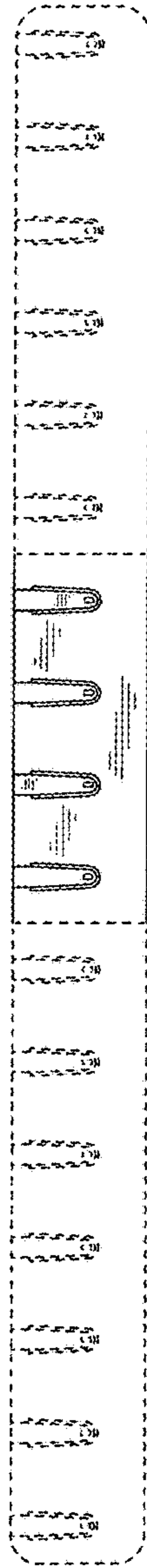


FIG. 14

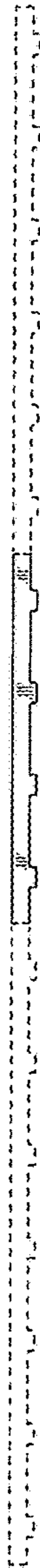


FIG. 15



FIG. 16



FIG. 17

FIG. 18