



US00D794119S

(12) **United States Design Patent** (10) **Patent No.:** **US D794,119 S**
Holliday, Jr. (45) **Date of Patent:** **** Aug. 8, 2017**

(54) **DESK ORGANIZER**
(71) Applicant: **Clifton Holliday, Jr.**, Toney, AL (US)
(72) Inventor: **Clifton Holliday, Jr.**, Toney, AL (US)
(**) Term: **15 Years**
(21) Appl. No.: **29/573,674**
(22) Filed: **Aug. 9, 2016**
(51) **LOC (10) Cl.** **19-02**
(52) **U.S. Cl.**
USPC **D19/77**
(58) **Field of Classification Search**
USPC D3/201, 206, 215, 313, 901; D6/512,
D6/513, 540, 553, 574, 672; D9/500,
D9/519, 549, 428; D19/75, 77-87, 90-92
CPC .. B43M 99/00; B43M 99/001; B43M 99/002;
B43M 99/003; B43M 99/006; B43M
99/008; B43M 99/009
See application file for complete search history.

D317,327 S * 6/1991 Kheng D18/18
D317,461 S * 6/1991 Willie D19/75
D333,841 S * 3/1993 Henricksen D19/75
5,224,594 A 7/1993 Hou
D346,763 S * 5/1994 Smith D11/144
5,626,224 A 5/1997 Clark et al.
D390,266 S 2/1998 Cheris et al.
D437,711 S * 2/2001 Berg D28/73
6,401,371 B2 6/2002 Martorella
6,519,883 B2 2/2003 Martorella
D477,848 S 7/2003 Chen
6,591,990 B2* 7/2003 Lanman B43M 99/001
206/214
D542,533 S * 5/2007 Yang D3/313
D750,171 S * 2/2016 Zwerner D19/77
2015/0335149 A1 11/2015 Vickers

FOREIGN PATENT DOCUMENTS

EP 0839467 10/1997

* cited by examiner

Primary Examiner — Elizabeth Albert

(56) **References Cited**
U.S. PATENT DOCUMENTS

D139,831 S * 12/1944 Posnack D19/22
D147,009 S * 7/1947 Greger D19/77
D151,343 S * 10/1948 Greger D11/152
D196,890 S * 11/1963 Garner D19/78
D202,394 S * 9/1965 Berliner D19/78
3,250,422 A * 5/1966 Parish A47G 19/06
220/23.83
D226,507 S * 3/1973 Wright D22/112
D229,861 S * 1/1974 Mende D3/266
D246,657 S 12/1977 Mende
D252,828 S * 9/1979 Davidson D28/61
D261,588 S * 11/1981 Fichte D7/553.4
D268,119 S * 3/1983 Evenson D19/77
D276,734 S * 12/1984 Landstrom D19/91
4,501,358 A * 2/1985 Zinbarg B43M 99/003
206/214
D294,956 S * 3/1988 Hagberg D19/77

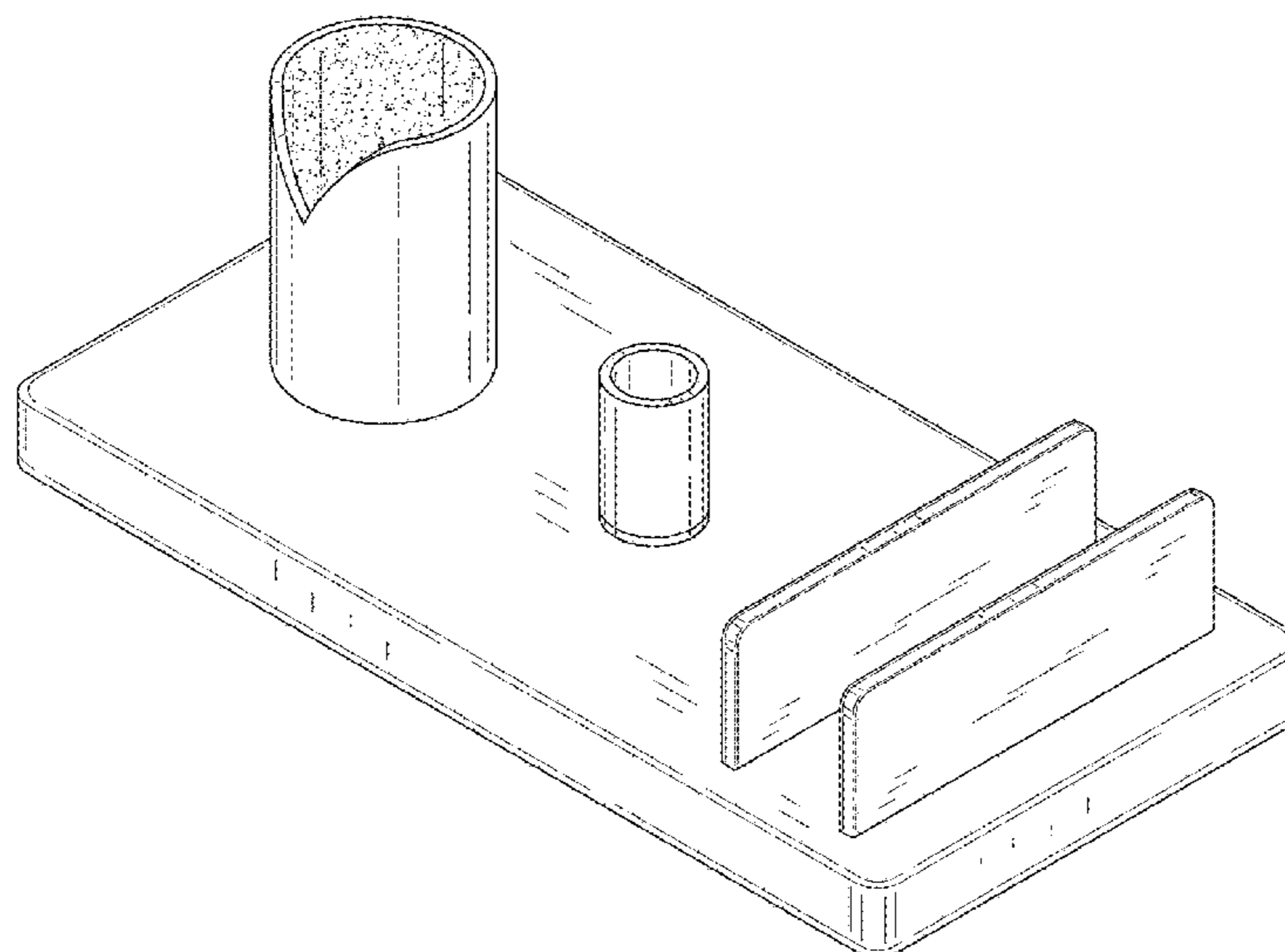
(57) **CLAIM**

The ornamental design for a desk organizer, as shown and described.

DESCRIPTION

FIG. 1 is a front view of a desk organizer showing my new design;
FIG. 2 is a rear view of the desk organizer;
FIG. 3 is a left side view of the desk organizer;
FIG. 4 is a right view of the desk organizer;
FIG. 5 is a top view of the desk organizer;
FIG. 6 is a bottom view of the desk organizer; and,
FIG. 7 is a top front side perspective view of the desk organizer.

1 Claim, 5 Drawing Sheets



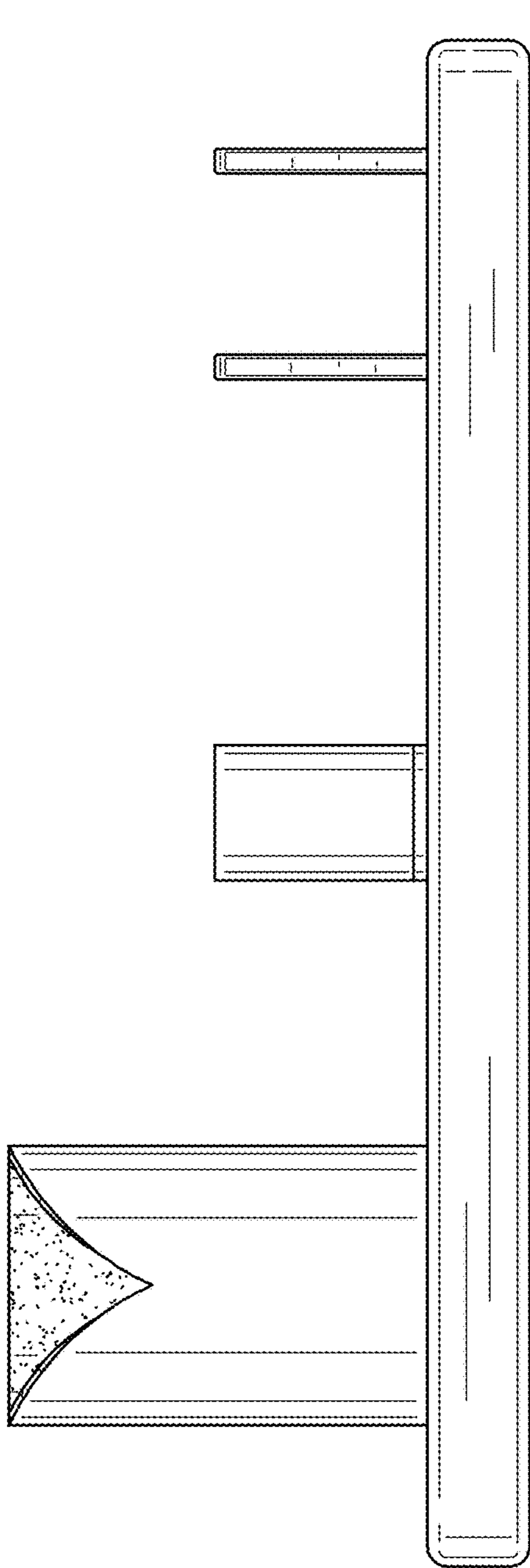


FIG. 1

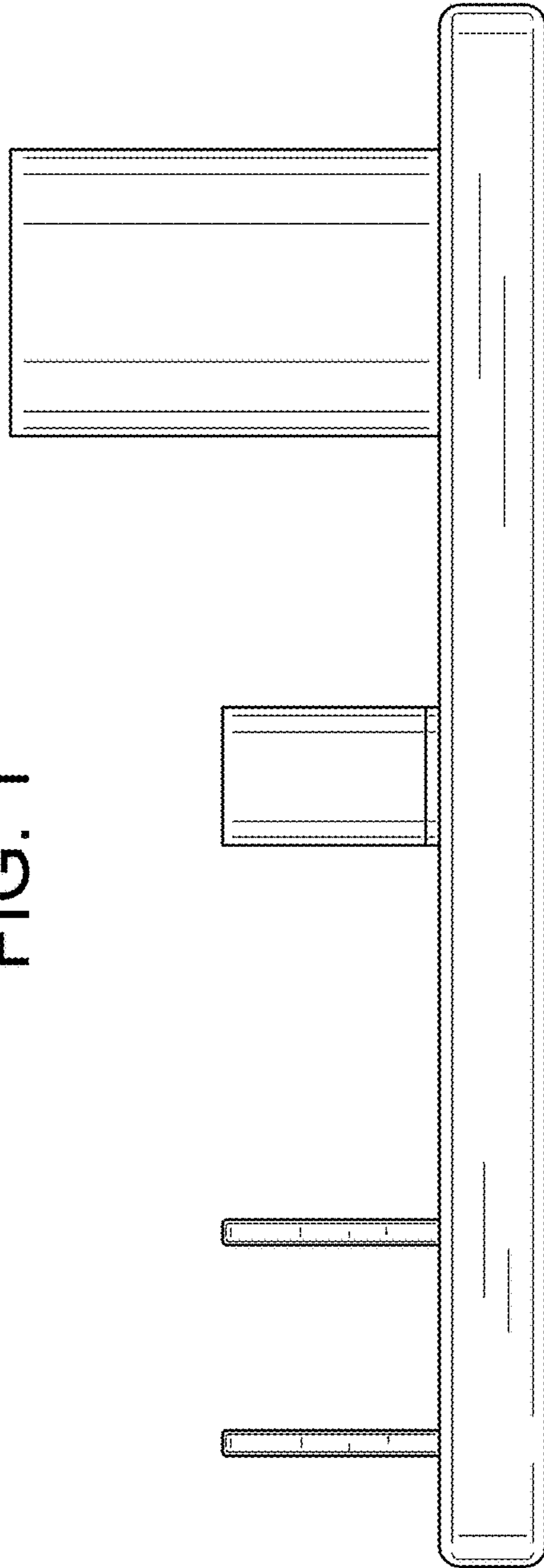


FIG. 2

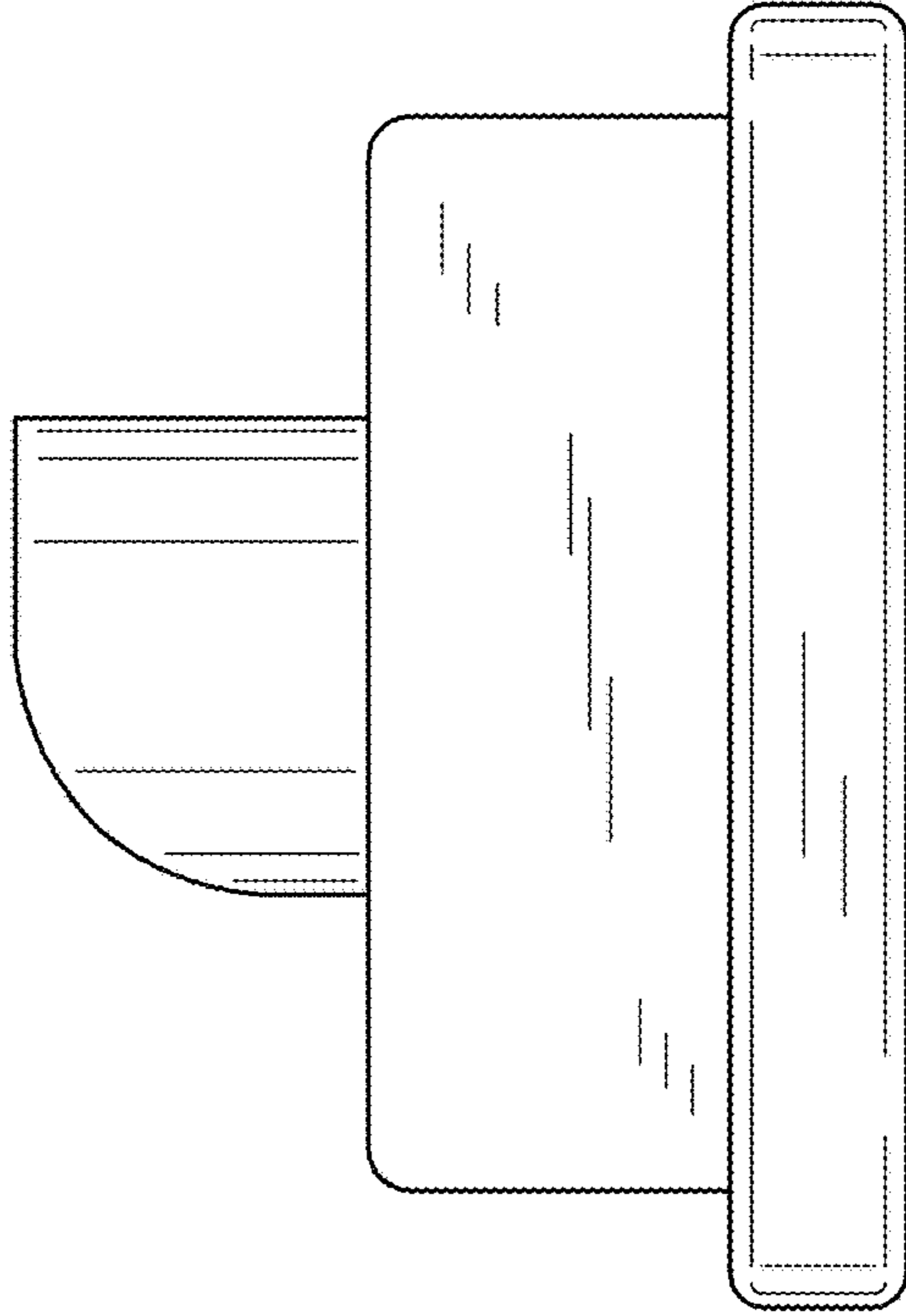


FIG. 4

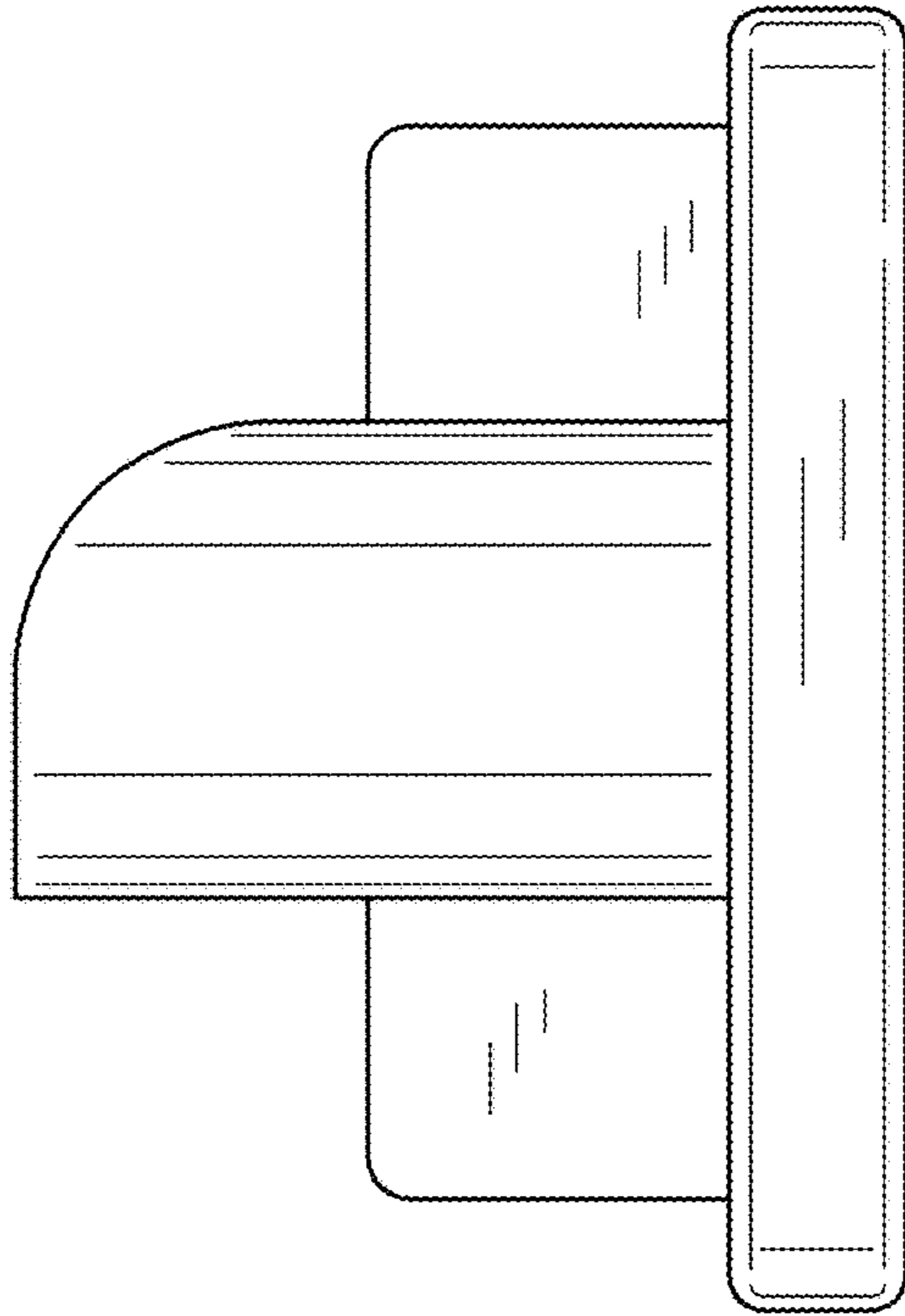


FIG. 3

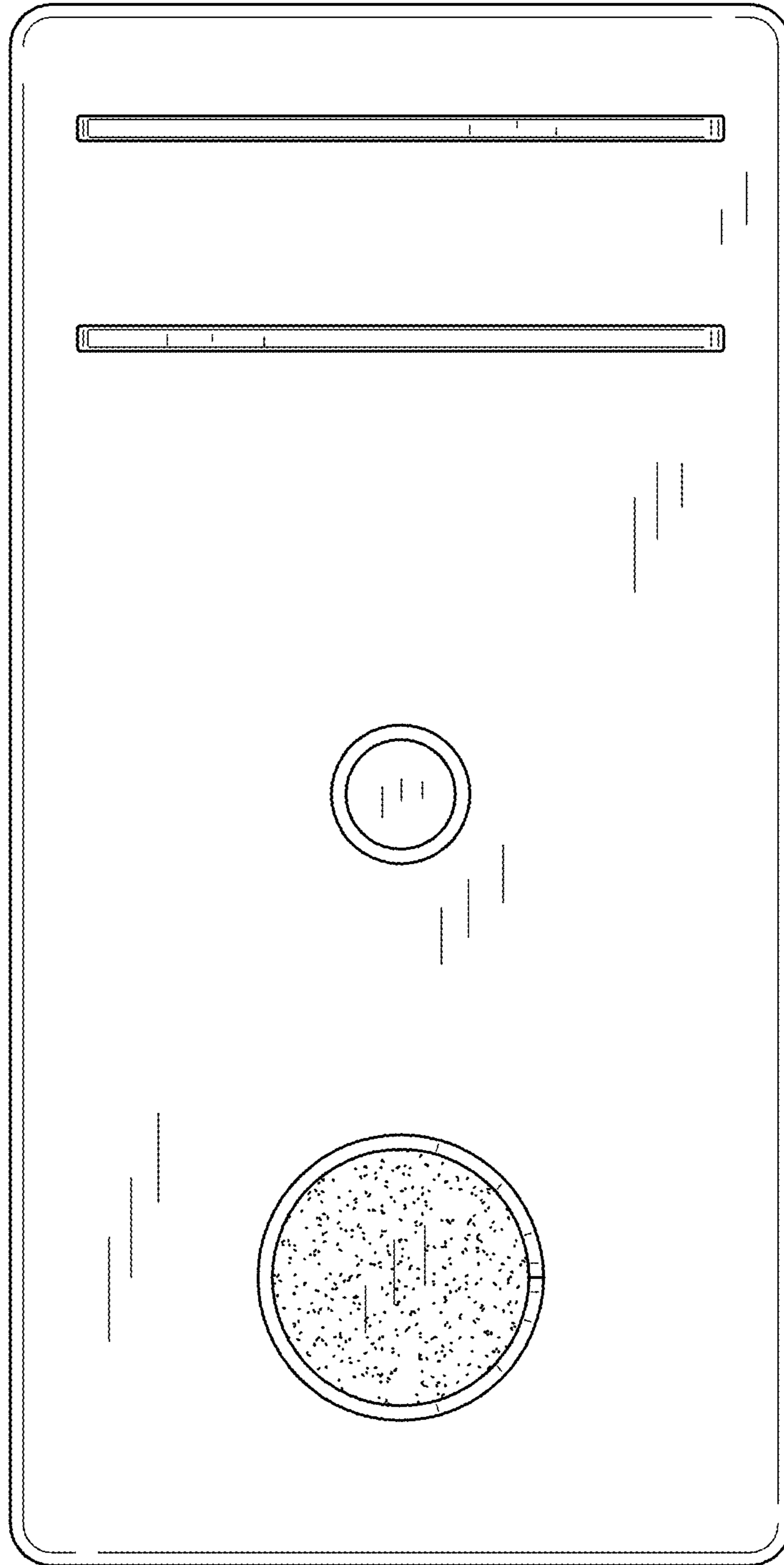


FIG. 5

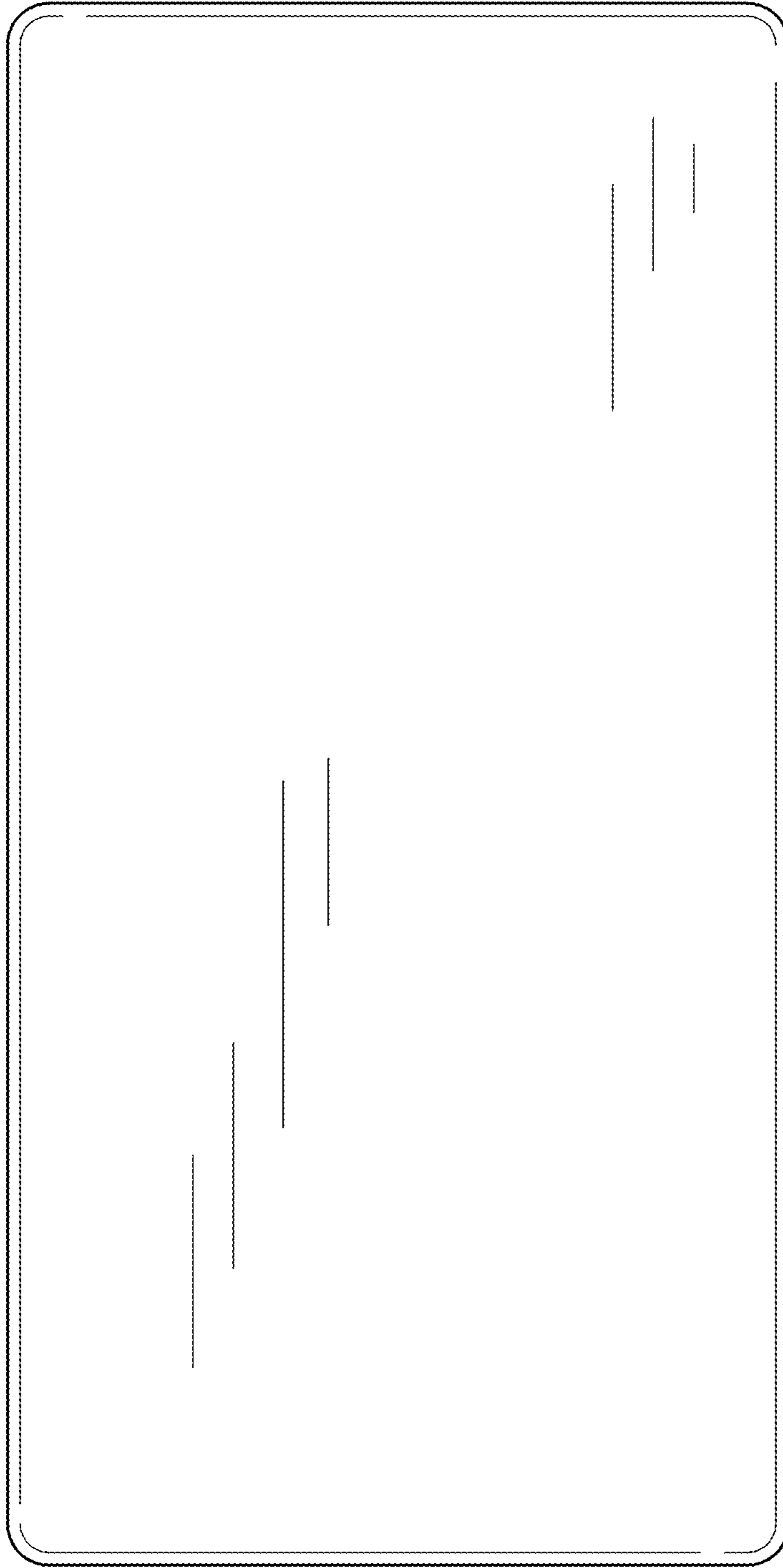


FIG. 6

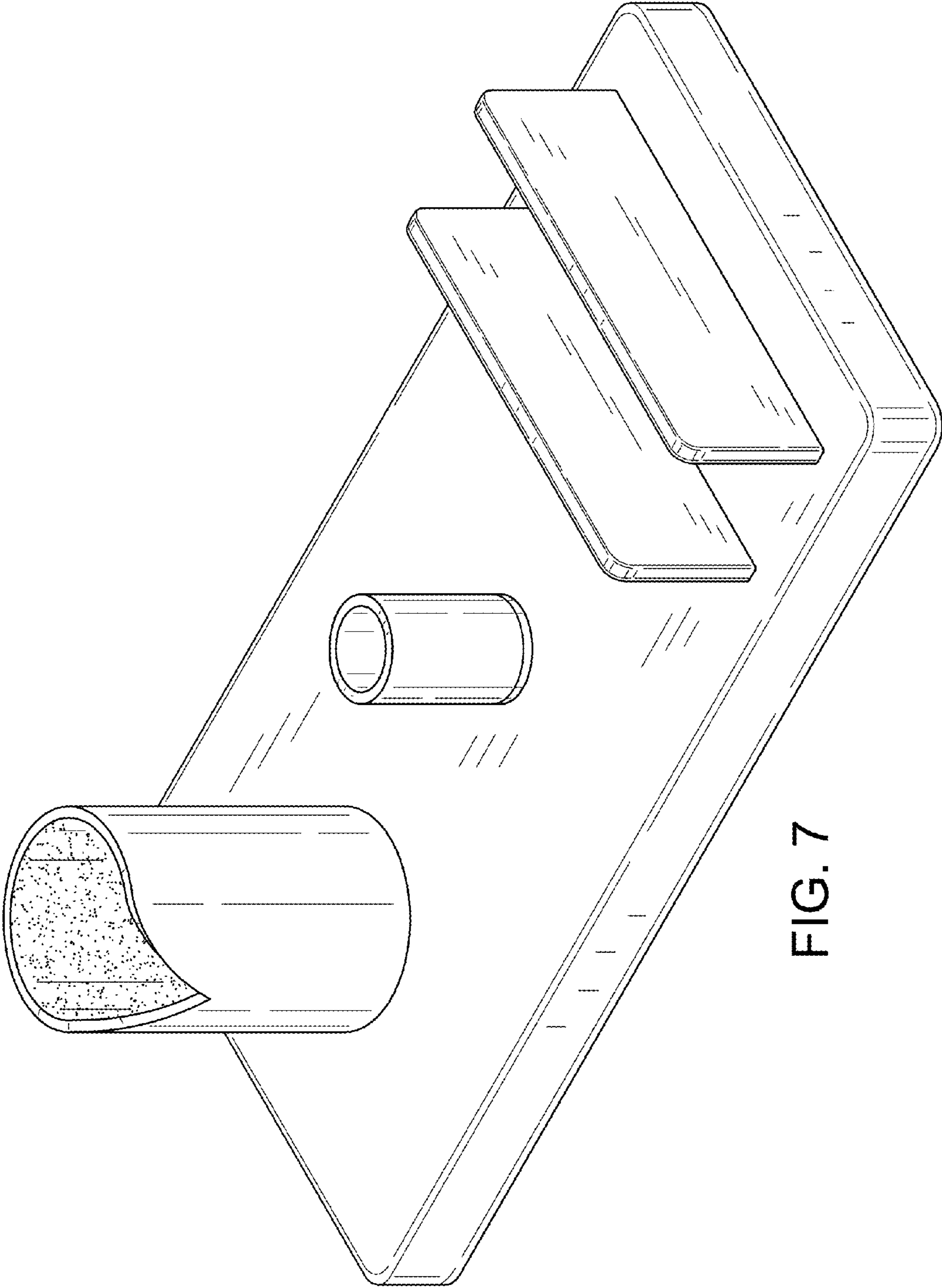


FIG. 7