



US00D794118S

(12) **United States Design Patent** (10) **Patent No.:** **US D794,118 S**  
**Petrie et al.** (45) **Date of Patent:** **\*\* Aug. 8, 2017**

- (54) **BINDER SPINE HINGE**
- (71) Applicant: **Staples The Office Superstore, LLC**, Framingham, MA (US)
- (72) Inventors: **Aidan Petrie**, Jamestown, RI (US); **Daniel Nelsen**, Central Falls, RI (US); **Kenneth Zins**, Fitchburg, MA (US)
- (73) Assignee: **STAPLES THE OFFICE SUPERSTORE, LLC**, Framingham, MA (US)
- (\*\*) Term: **14 Years**
- (21) Appl. No.: **29/446,845**
- (22) Filed: **Feb. 27, 2013**
- (51) **LOC (10) Cl.** ..... **19-04**
- (52) **U.S. Cl.**  
USPC ..... **D19/32**
- (58) **Field of Classification Search**  
USPC ..... D19/26, 27, 28, 32, 100, 199, 202, 203; 281/3.1, 4, 15.1, 21.1, 27.1, 28, 40, 42, 281/44, 45, 51; 402/1, 3, 5, 8, 13, 19, 402/26, 60, 61, 64, 68, 70, 73, 80 R; 462/64, 71, 72, 75, 76, 84  
CPC ..... B42F 13/00; B42F 13/0006; B42F 3/00  
See application file for complete search history.

(56) **References Cited**

**U.S. PATENT DOCUMENTS**

D33,908 S *	1/1901	Miller	.....	D19/26
D313,619 S *	1/1991	Moor	.....	D19/27
D319,659 S *	9/1991	Moor	.....	D19/27
D354,768 S *	1/1995	Muller et al.	.....	D19/27
D458,634 S *	6/2002	Gerriet	.....	D19/27
D478,349 S *	8/2003	Capaci	.....	D19/27
7,252,452 B2 *	8/2007	Africa et al.	.....	402/73
D576,673 S *	9/2008	Petrie et al.	.....	D19/26
7,717,639 B2 *	5/2010	Zins et al.	.....	402/73

D731,593 S *	6/2015	Petrie	.....	D19/32
D735,270 S *	7/2015	Petrie	.....	D19/32
D776,194 S *	1/2017	Petrie	.....	D19/27
2005/0104360 A1 *	5/2005	Keane	.....	281/15.1
2007/0160417 A1 *	7/2007	Petrie et al.	.....	402/73
2008/0089737 A1 *	4/2008	Zins et al.	.....	402/73

(Continued)

**FOREIGN PATENT DOCUMENTS**

CH	431453 A *	3/1967	.....	B42F 13/0006
DE	1436175 A1 *	3/1969	.....	B42F 13/0006

(Continued)

**OTHER PUBLICATIONS**

Staples Better Packaging, image post date Dec. 22, 2009, site visited Aug. 18, 2014 online, <http://designbytimsmith.com/2009/12/22/staples-better-packaging/>.\*

*Primary Examiner* — Ian Simmons  
*Assistant Examiner* — Ieisha Price  
(74) *Attorney, Agent, or Firm* — Sheridan Ross P.C.

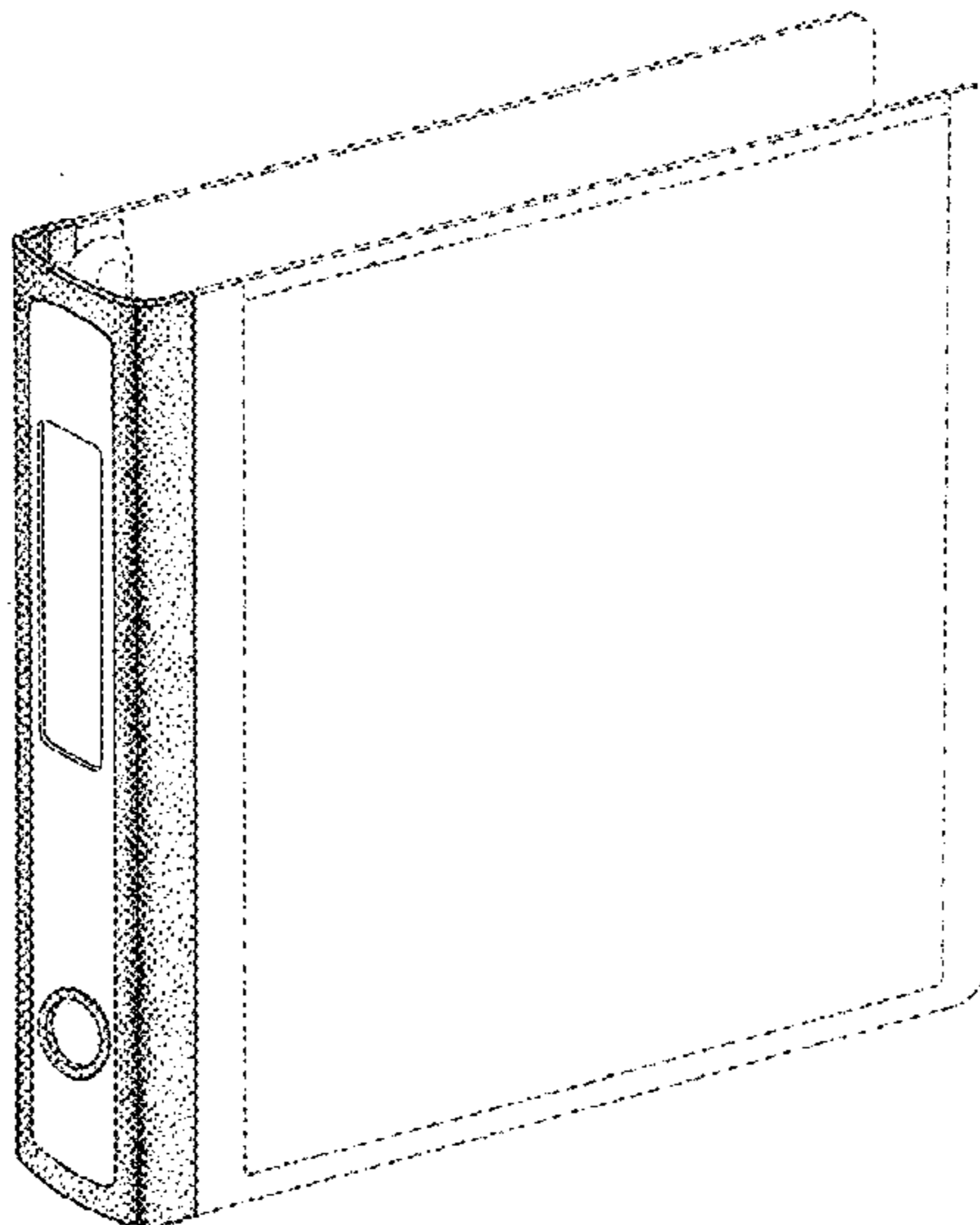
(57) **CLAIM**

The ornamental design for binder spine hinge, as shown and described.

**DESCRIPTION**

FIG. 1 is a side, top, perspective view of binder spine hinge. FIG. 2 is a left side view thereof; FIG. 3 is a right side view thereof; FIG. 4 is a rear view thereof; FIG. 5 is a front view thereof; FIG. 6 is a top view thereof; FIG. 7 is a bottom view thereof; and, FIG. 8 is a front view of the binder spine hinge with the notebook in an open position. The broken lines in the drawings illustrate portions of the binder spine hinge which form no part of the claimed design.

**1 Claim, 6 Drawing Sheets**



(56)

**References Cited**

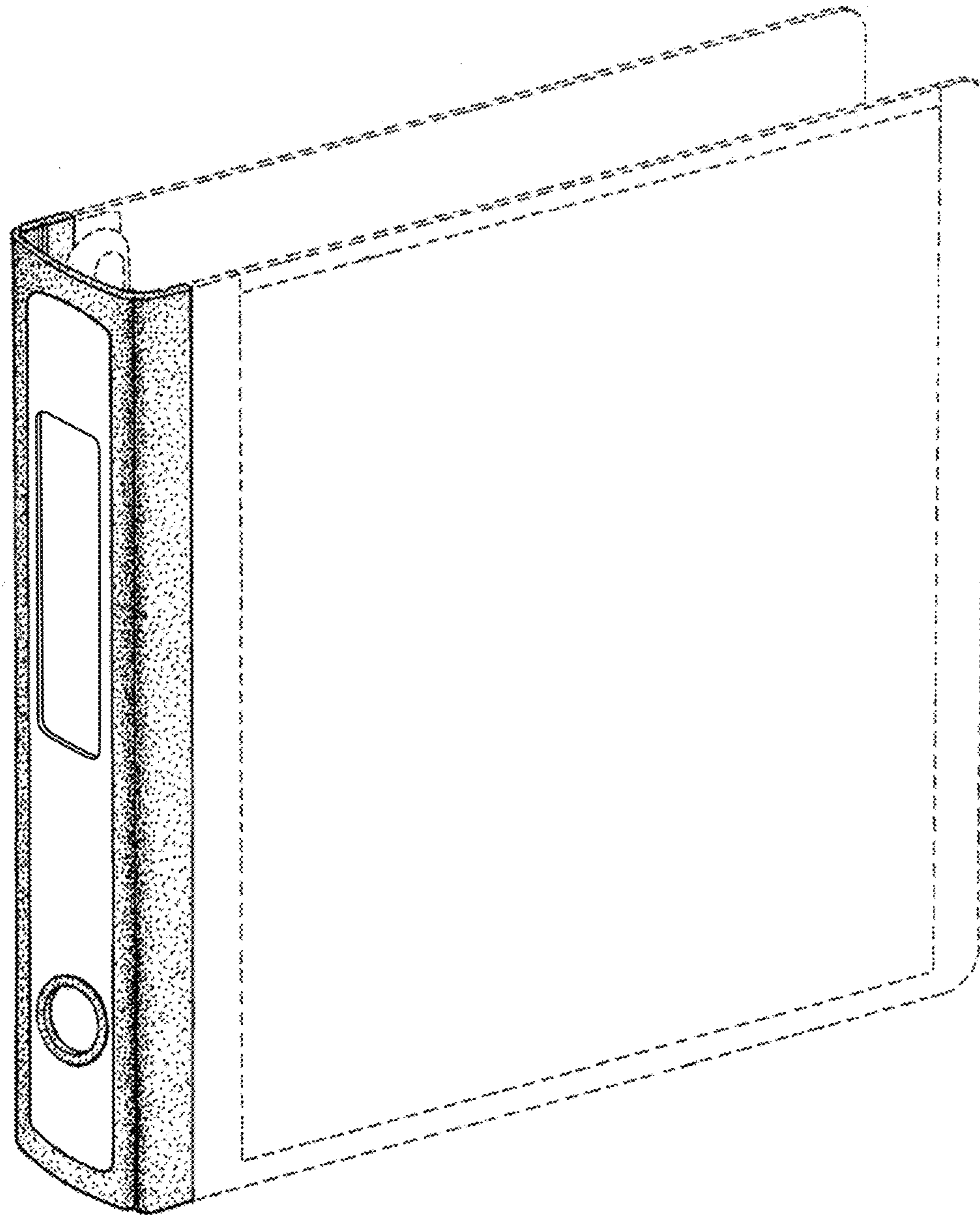
U.S. PATENT DOCUMENTS

2009/0315313 A1\* 12/2009 Kalman ..... 281/16  
2012/0294669 A1\* 11/2012 Wrigley ..... 402/31

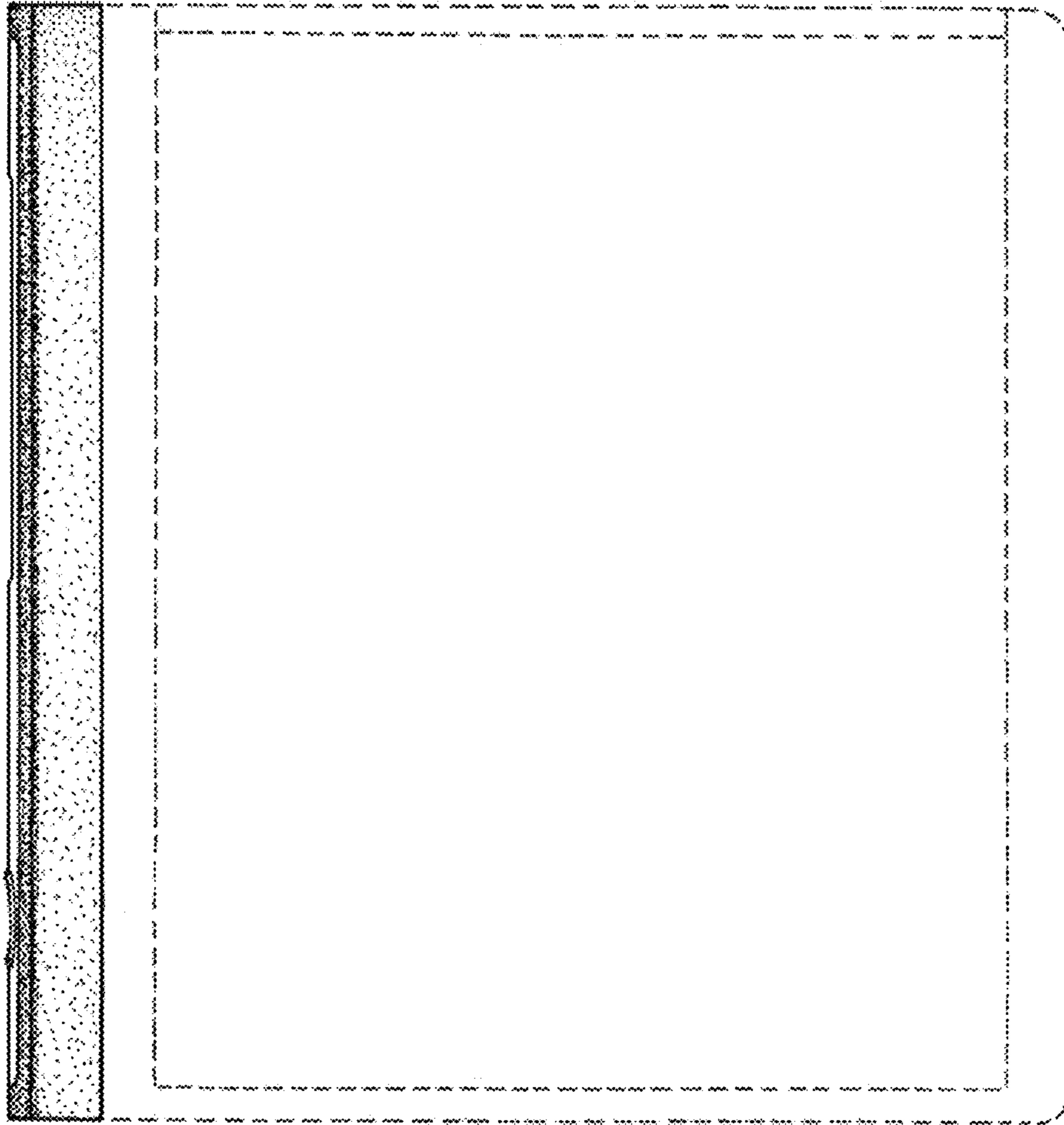
FOREIGN PATENT DOCUMENTS

DE 4400882 C2 \* 4/1996 ..... B42F 13/0006  
DE 29822516 U1 \* 2/2000 ..... B42F 13/0006  
EP 0847875 A1 \* 6/1998 ..... B42F 13/0006  
FR 2403892 A1 \* 4/1979 ..... B42F 13/0006  
WO WO 2004108432 A1 \* 12/2004 ..... B42F 13/0006

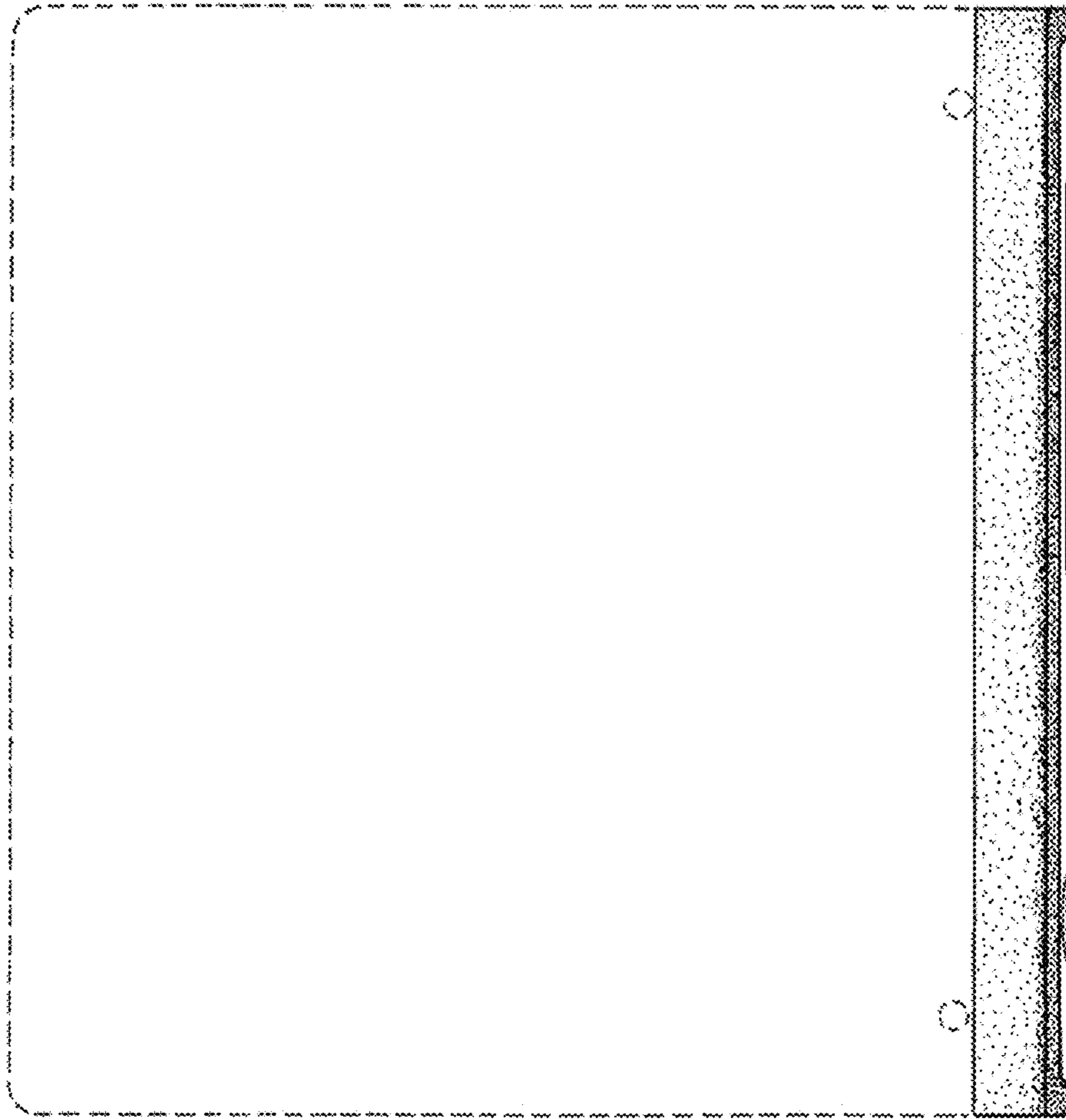
\* cited by examiner



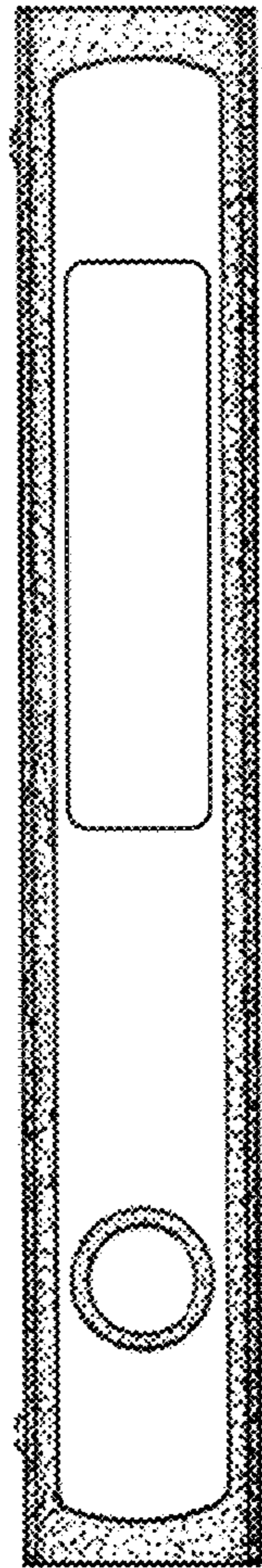
*Fig. 1*



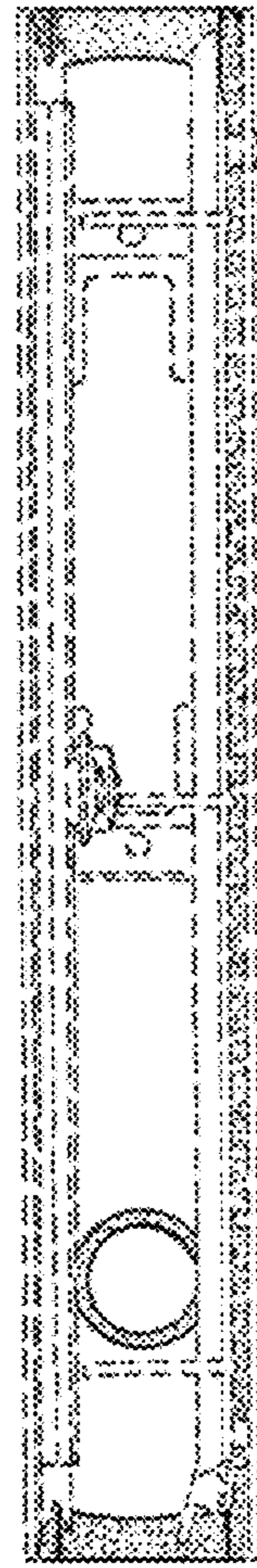
*Fig. 2*



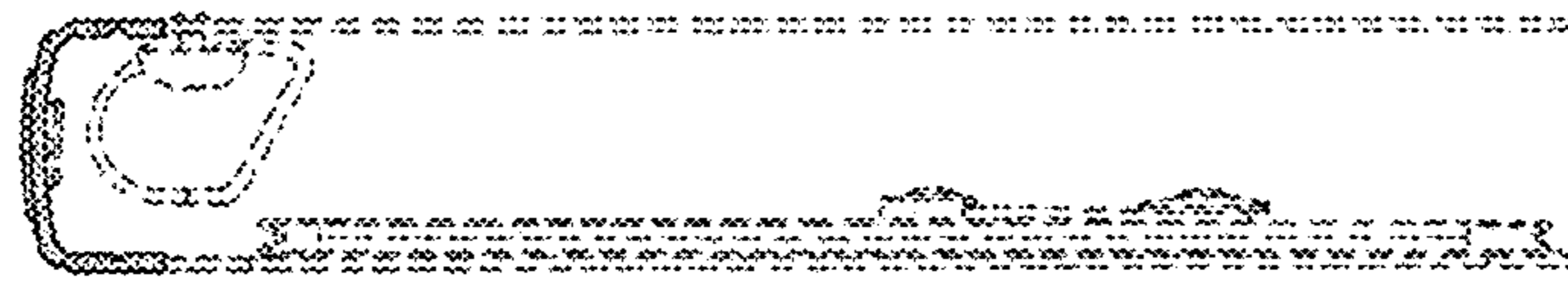
*Fig. 3*



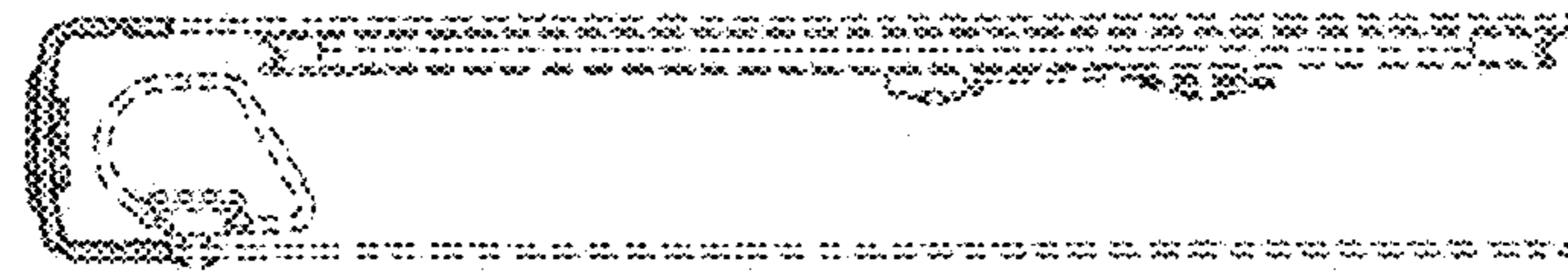
*Fig. 4*



*Fig. 5*



*Fig. 6*



*Fig. 7*

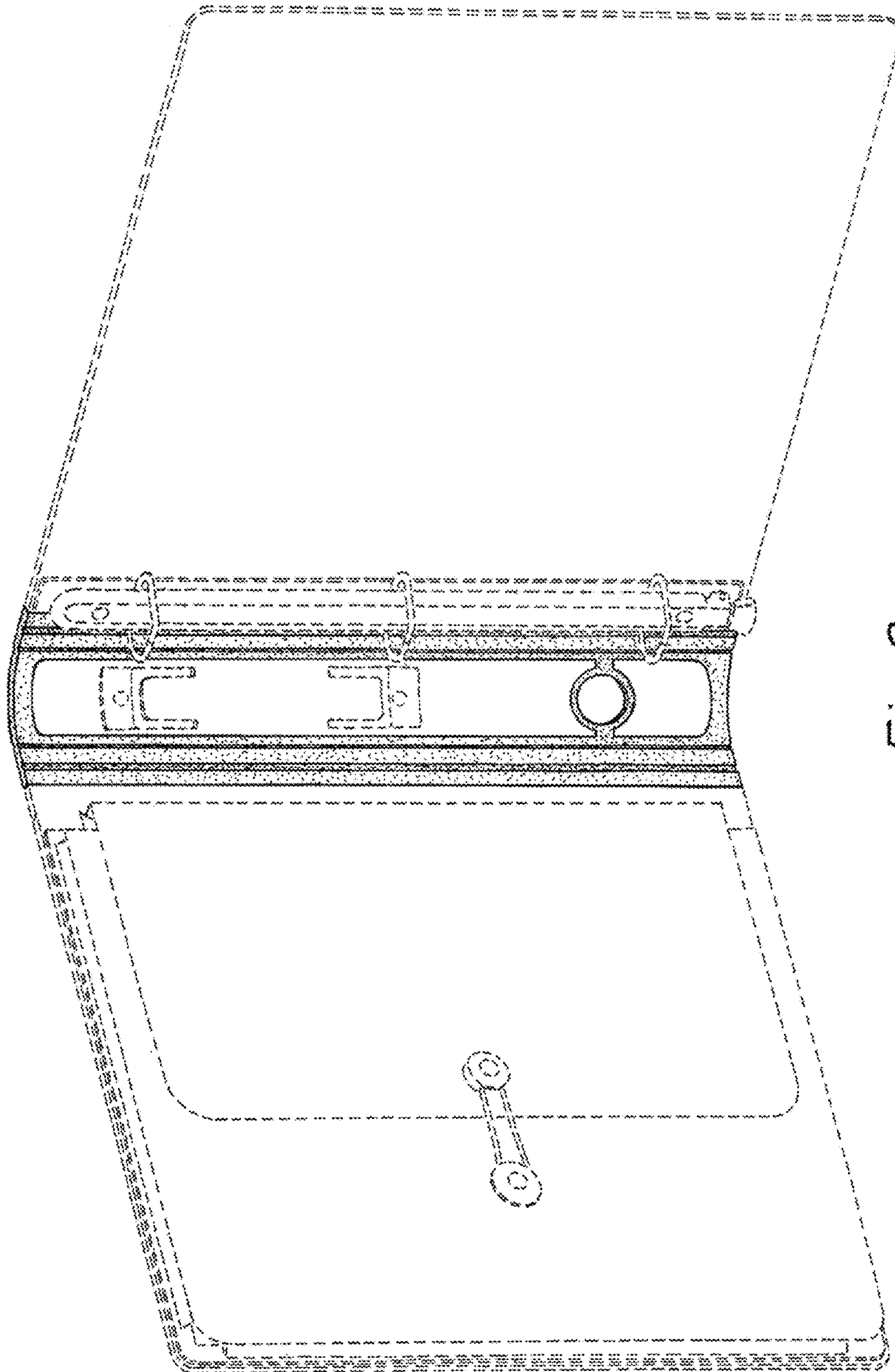


Fig. 8