



US00D794110S

(12) **United States Design Patent** (10) **Patent No.:** **US D794,110 S**
Swaggart (45) **Date of Patent:** **** Aug. 8, 2017**

(54) **CAMERA HARNESS**
(71) Applicant: **Matthew Swaggart**, Tulsa, OK (US)
(72) Inventor: **Matthew Swaggart**, Tulsa, OK (US)
(**) Term: **15 Years**
(21) Appl. No.: **29/536,491**

D309,359 S 7/1990 Joachim
D336,156 S * 6/1993 Cavazos D15/141
D342,348 S 12/1993 Panarelli
D348,153 S 6/1994 Eldridge
5,361,953 A * 11/1994 Nichols F41C 33/0227
224/192
D364,270 S * 11/1995 Kellerman D3/215
D374,977 S 10/1996 Cook
(Continued)

(22) Filed: **Aug. 17, 2015**
(51) **LOC (10) Cl.** **16-05**
(52) **U.S. Cl.**
USPC **D16/243; D16/237; D3/219**
(58) **Field of Classification Search**
USPC D3/214–217, 221, 224, 226, 231, 247,
D3/265–268, 300, 303, 229–230,
D3/207–212, 218–219, 317; D2/610,
D2/614, 624, 626–627, 629; D8/367,
D8/371, 394, 395; D9/440, 447, 719,
D9/774; D16/237, 242, 243, 245
CPC A41F 1/00; A41F 9/00; A41F 9/002; A41F
9/02; A41F 9/025; A41F 17/02; A45F
3/00; A45F 3/005; A45F 3/006; A45F
5/02; A45F 5/021; A45F 5/022; A45F
5/06; A45F 2005/008; A45F 3/02; A45C
1/04; D06F 55/00
See application file for complete search history.

(56) **References Cited**
U.S. PATENT DOCUMENTS
3,152,738 A * 10/1964 Worsfold, Jr. A45F 5/00
224/259
3,526,347 A * 9/1970 Kuban A45F 5/00
224/259
4,033,488 A * 7/1977 Brewer A45F 3/14
224/259
4,091,974 A * 5/1978 McClintock A45F 5/00
224/257
4,125,211 A * 11/1978 Handsman A45F 5/00
224/255
D279,520 S 7/1985 Brinson, Jr.

OTHER PUBLICATIONS

“A Comprehensive List of Any Photo Accessory You’d Ever Need,”
HoldFast Gear Camera Swagg pictured therein, posted at
Rangefinder [online], posted on Oct. 5, 2015 [site visited Nov. 22,
2016]. Available on the Internet, <URL: <http://www.rangefinderonline.com/gear/new-products/A-Comprehensive-List-of-Any-Photo-Accessory-You-d-Ever-Need-9006.shtml>>.*
(Continued)

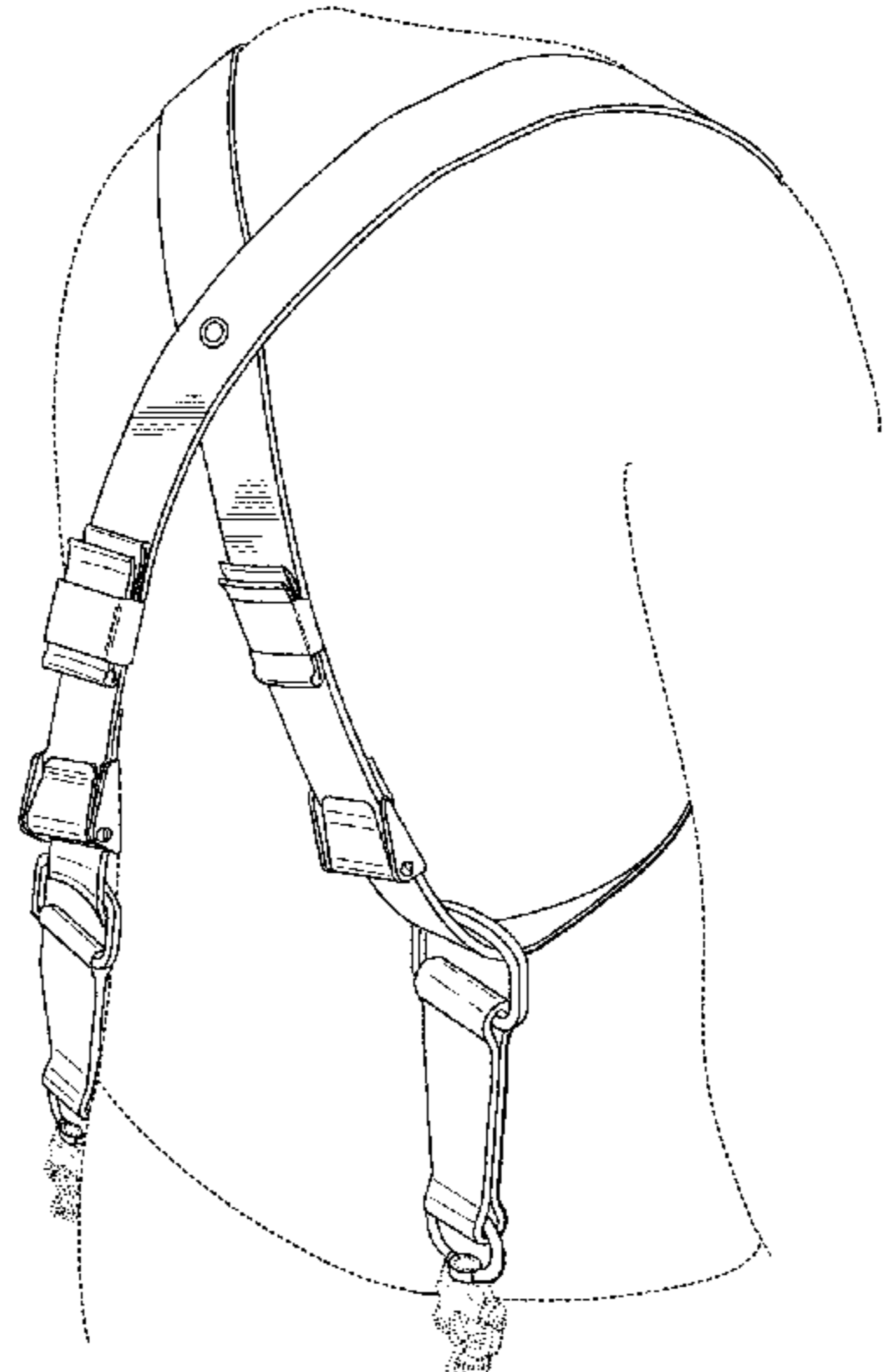
Primary Examiner — Jeffrey D Asch
Assistant Examiner — Rebekah A Caruso
(74) *Attorney, Agent, or Firm* — Cherskov Flaynik &
Gurda, LLC

(57) **CLAIM**
The ornamental design for a camera harness, as shown and
described.

DESCRIPTION

FIG. 1 is a back, perspective view of the camera harness of
the invention shown in use on a user;
FIG. 2 is a back elevation view thereof;
FIG. 3 is a front elevation view thereof;
FIG. 4 is a right side view thereof; and,
FIG. 5 is a left side view thereof.
The broken line showing of the user in FIG. 1 is included for
the purpose of illustrating environment and forms no part of
the claimed design. All other broken lines illustrate portions
of the article that form no part of the claimed design.

1 Claim, 3 Drawing Sheets



(56)

References Cited

U.S. PATENT DOCUMENTS

D376,611 S 12/1996 Field
 D411,916 S 7/1999 Jackson
 6,016,944 A * 1/2000 Girbert A45F 3/14
 224/250
 6,311,884 B1 * 11/2001 Johnson A45F 3/04
 224/153
 D467,417 S 12/2002 Jackson
 D524,042 S 7/2006 Lavine
 D547,942 S 8/2007 Lavine
 D561,464 S 2/2008 Courtney
 D594,223 S 6/2009 Jackson
 D600,009 S 9/2009 Doty et al.
 D604,380 S 11/2009 Garcia
 D647,296 S 10/2011 Hitchcock
 D683,384 S 5/2013 Swaggart
 D707,961 S * 7/2014 Surlaya D3/218
 D714,540 S * 10/2014 Barlet D3/215
 9,044,080 B2 * 6/2015 Ashenafi A45F 3/14
 D739,085 S * 9/2015 Tadeo D29/101.1

D755,981 S * 5/2016 Shamaingar D24/190
 D757,844 S * 5/2016 Swaggart D16/237
 D768,993 S * 10/2016 Eakin D3/327
 2002/0130150 A1 * 9/2002 Stanley A45F 3/14
 224/600
 2004/0221374 A1 * 11/2004 Baacke A41F 3/00
 2/300

OTHER PUBLICATIONS

HoldFast, Camera Swagg, posted at Hold Fast Leather Pro. Goods [online], posting date not available [site visited Nov. 22, 2016]. Available on the Internet, <URL: <http://holdfastgear.com/products/camera-swagg>>.*
 Nikon Binocular Harness. [online] Retrieved Feb. 10, 2015 from URL: <www.adorama.com/NKBH.html>.
 BlackRapid RS DR-2, Double Strap for Two Cameras with FastenR3, Smaller Verision. [online] Retrieved Feb. 10, 2015 from URL: <www.adorama.com/BRDR2.html>.

* cited by examiner

Fig. 1

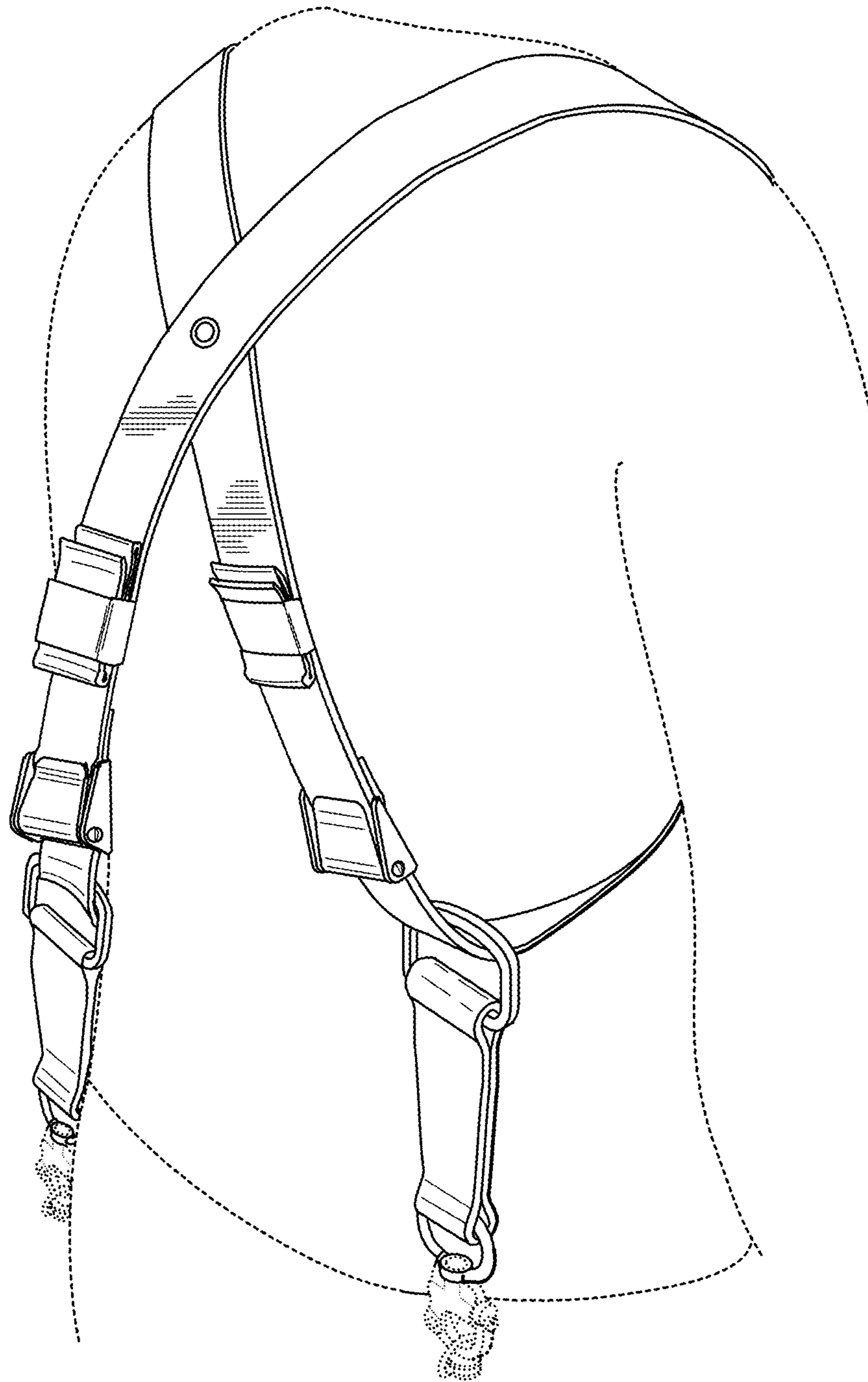


Fig. 2

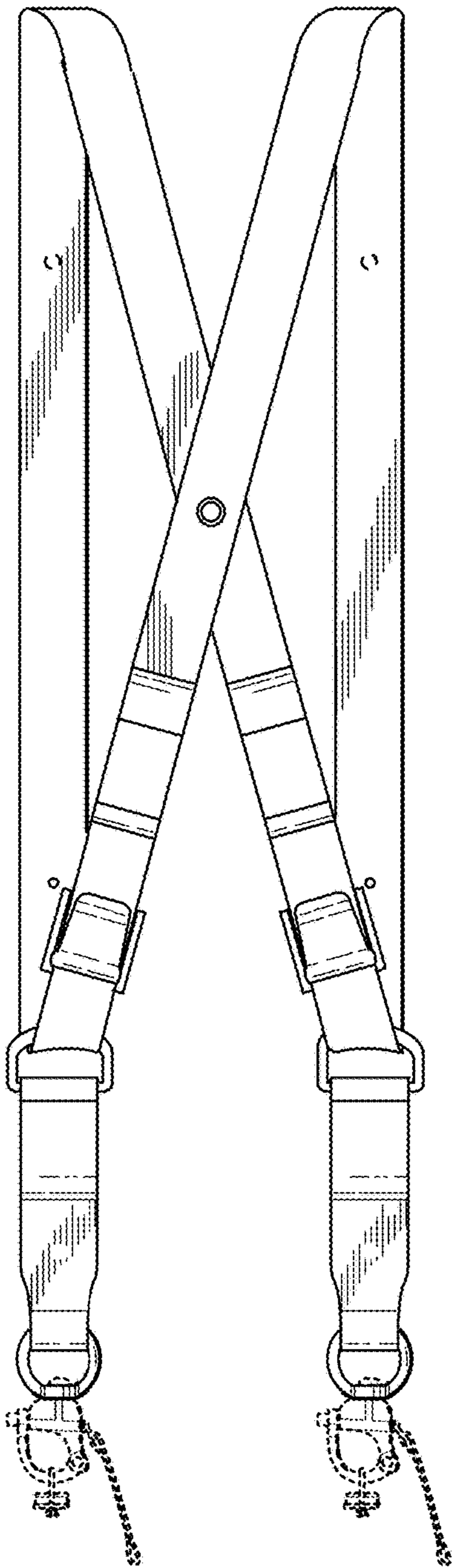


Fig. 3

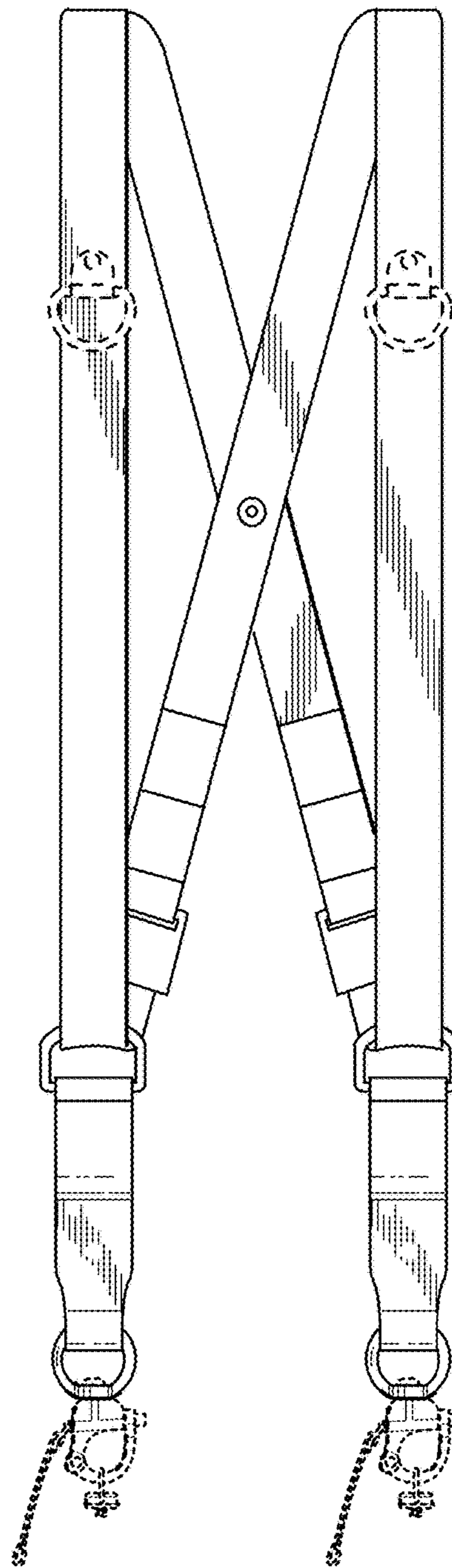


Fig. 4

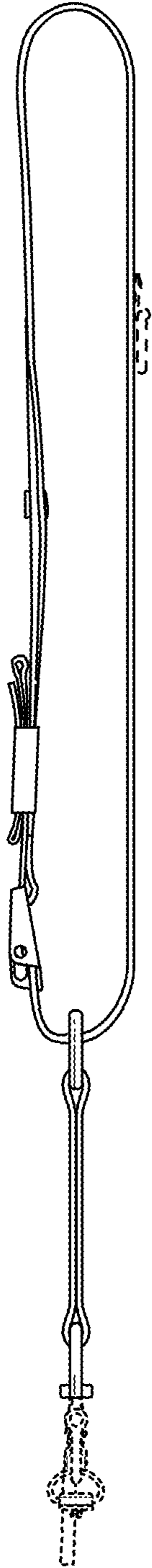


Fig. 5

