

US00D794109S

(12) **United States Design Patent** (10) **Patent No.:** **US D794,109 S**
Zheng et al. (45) **Date of Patent:** **** Aug. 8, 2017**

(54) **GIMBAL**
(71) Applicant: **SZ DJI Osmo Technology Co., Ltd.**,
Shenzhen (CN)
(72) Inventors: **Haibin Zheng**, Shenzhen (CN); **Min Kim**, Shenzhen (CN)
(73) Assignee: **SZ DJI Osmo Technology Co., Ltd.**,
Shenzhen (CN)

9,196,274 B2 11/2015 Stephan et al.
D744,580 S * 12/2015 Firchau D16/242
D751,625 S * 3/2016 Vesper D16/242
D759,335 S * 6/2016 Kim D34/28
D785,073 S * 4/2017 Wang D16/242
D785,893 S * 5/2017 Kim D34/28
2014/0270744 A1* 9/2014 Webb H04N 5/2328
396/55

* cited by examiner

Primary Examiner — Cynthia Ramirez

(74) *Attorney, Agent, or Firm* — Sterne, Kessler,
Goldstein & Fox P.L.L.C.

(**) Term: **15 Years**

(21) Appl. No.: **29/561,421**

(22) Filed: **Apr. 15, 2016**

(51) **LOC (10) Cl.** **16-05**

(52) **U.S. Cl.**
USPC **D16/242**

(58) **Field of Classification Search**
USPC D34/28; D14/217, 238.1, 239, 254;
D16/237, 239, 242, 244, 245, 250;
248/121, 176.1, 177.1
CPC G03B 17/561; F16M 13/04; F16M 13/00;
G02B 27/646
See application file for complete search history.

(56) **References Cited**

U.S. PATENT DOCUMENTS

D348,134 S 6/1994 McCanse et al.
5,632,475 A 5/1997 McCanse
6,116,577 A 9/2000 McCanse
8,094,414 B1 1/2012 Cheng et al.
D676,213 S 2/2013 Dyrvall et al.
D723,090 S 2/2015 Firchau et al.

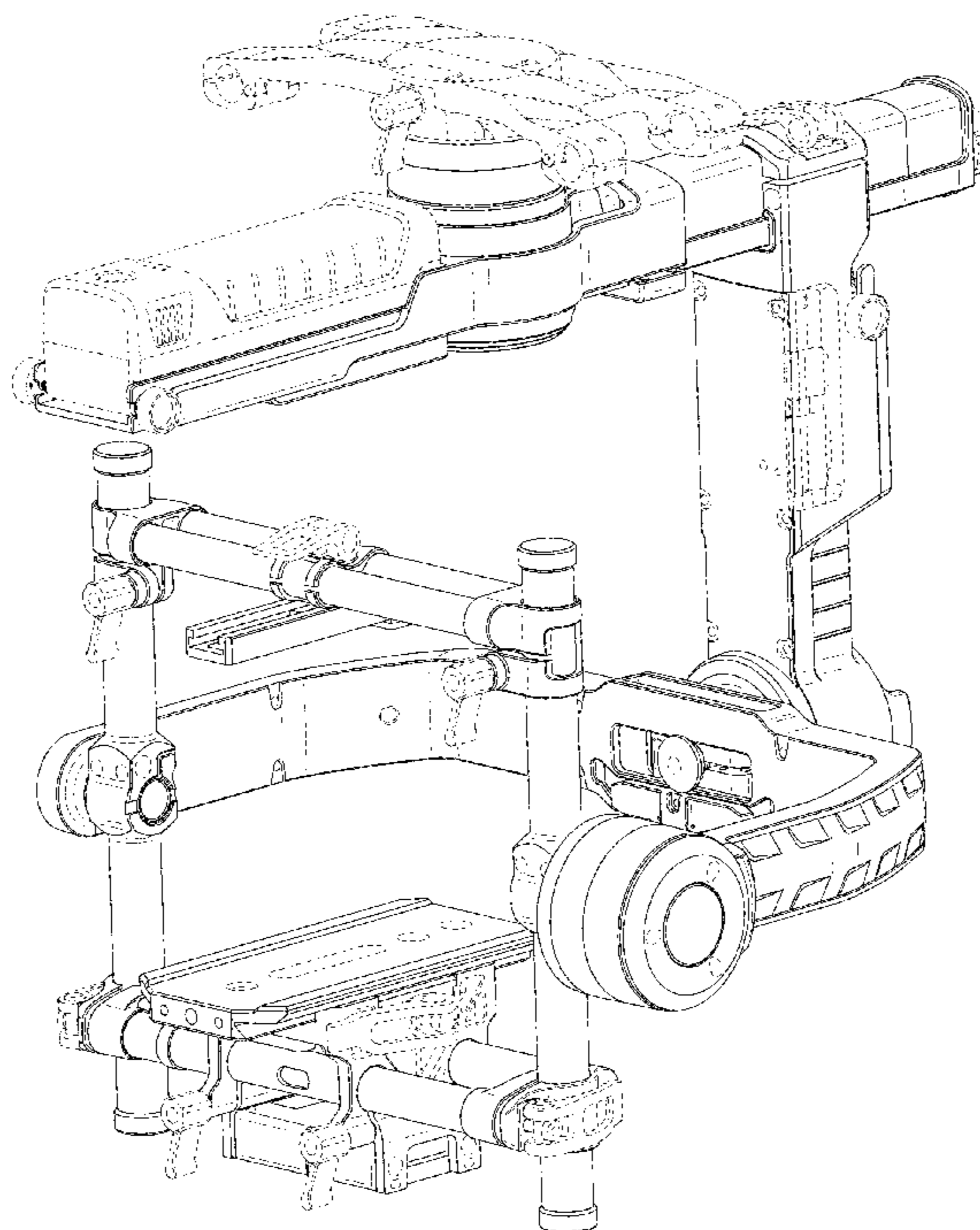
(57) **CLAIM**

The ornamental design for a gimbal, as shown and described.

DESCRIPTION

FIG. 1 is a top front perspective view of a gimbal showing the claimed design;
FIG. 2 is a bottom rear perspective view thereof;
FIG. 3 is a front view thereof;
FIG. 4 is a rear view thereof;
FIG. 5 is a left side view thereof;
FIG. 6 is a right side view thereof;
FIG. 7 is a top view thereof; and,
FIG. 8 is a bottom view thereof.
The broken lines in the figures show portions of the gimbal that form no part of the claimed design.
The shade lines in the figures show contour and not surface ornamentation.

1 Claim, 8 Drawing Sheets



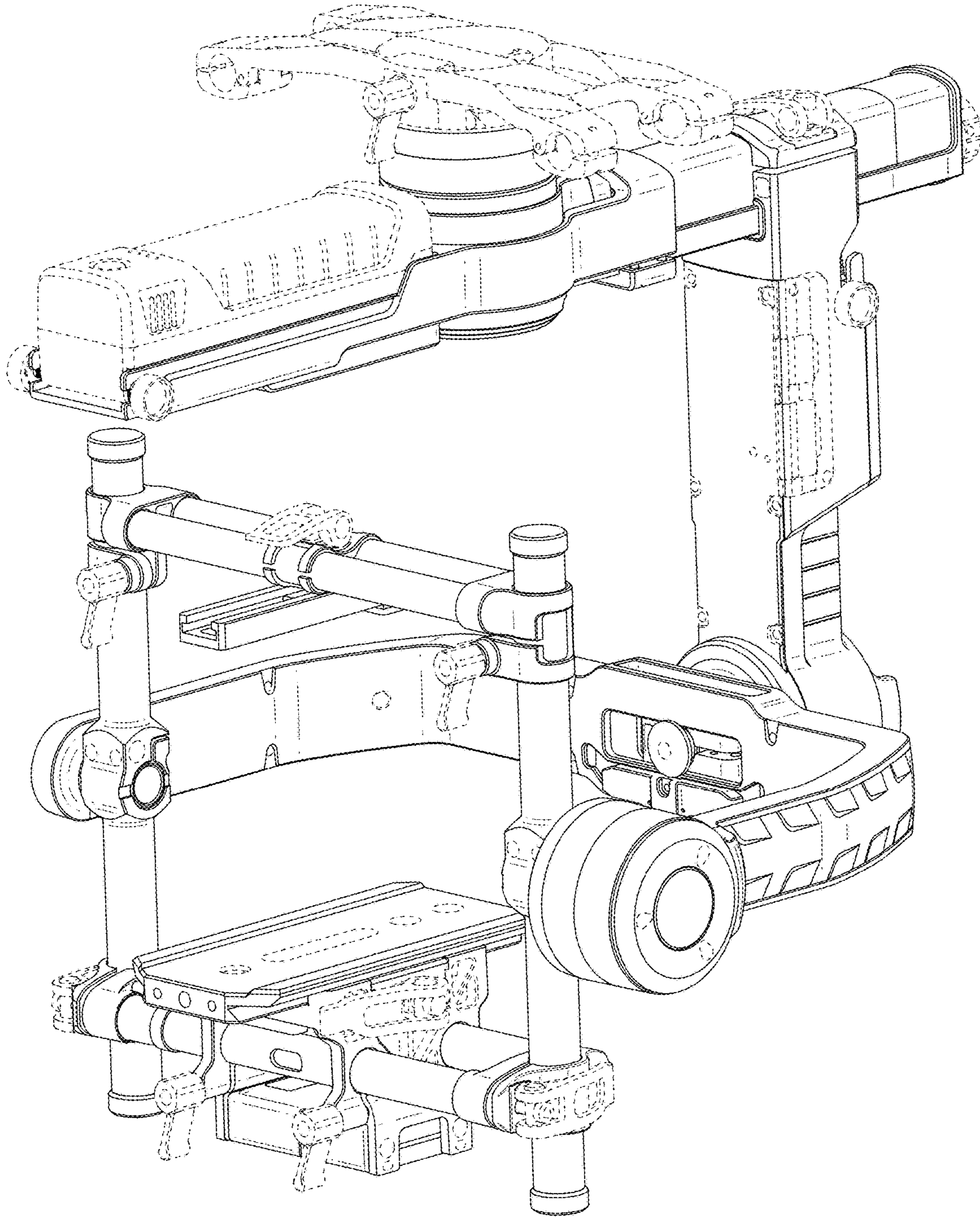


FIG. 1

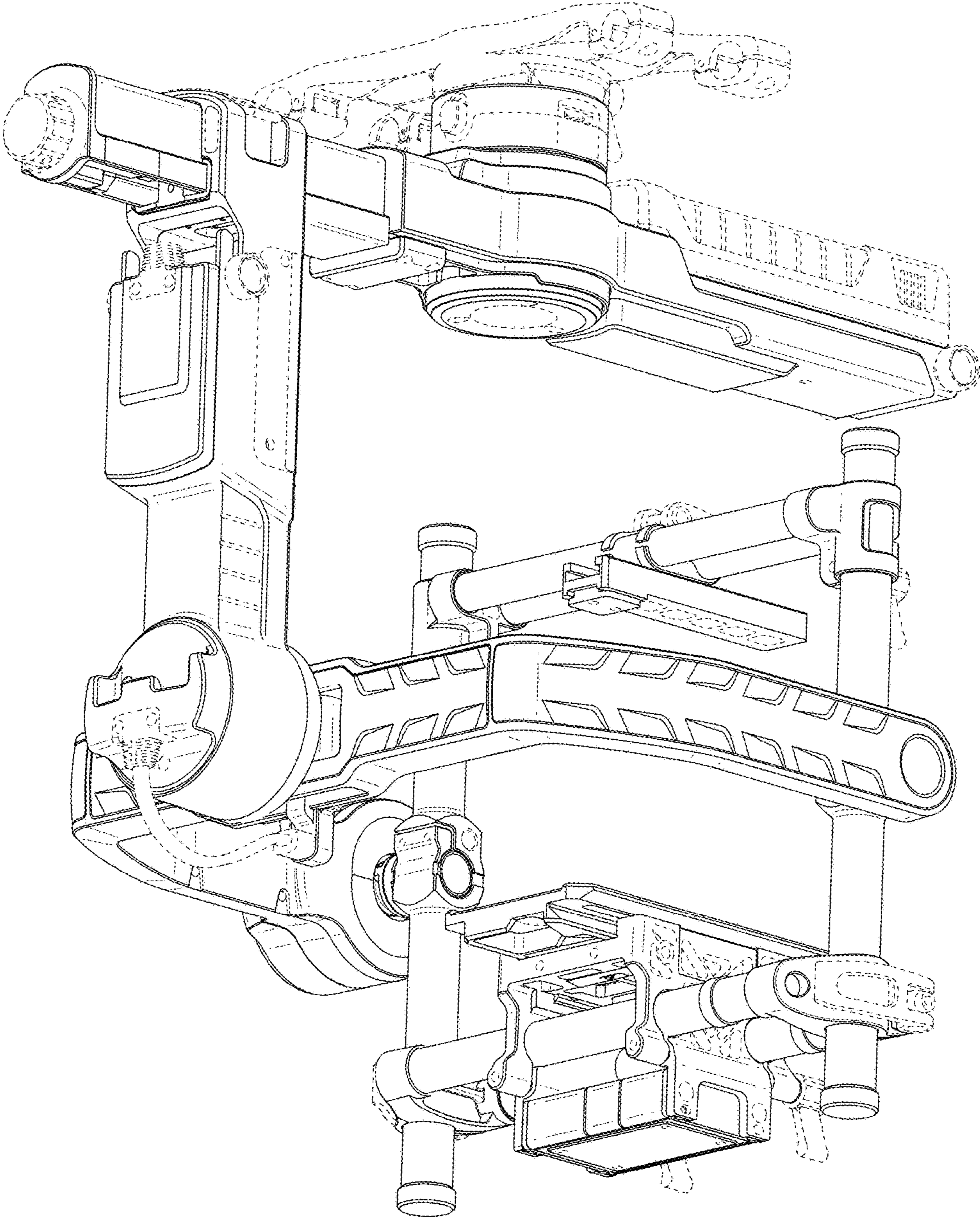


FIG. 2

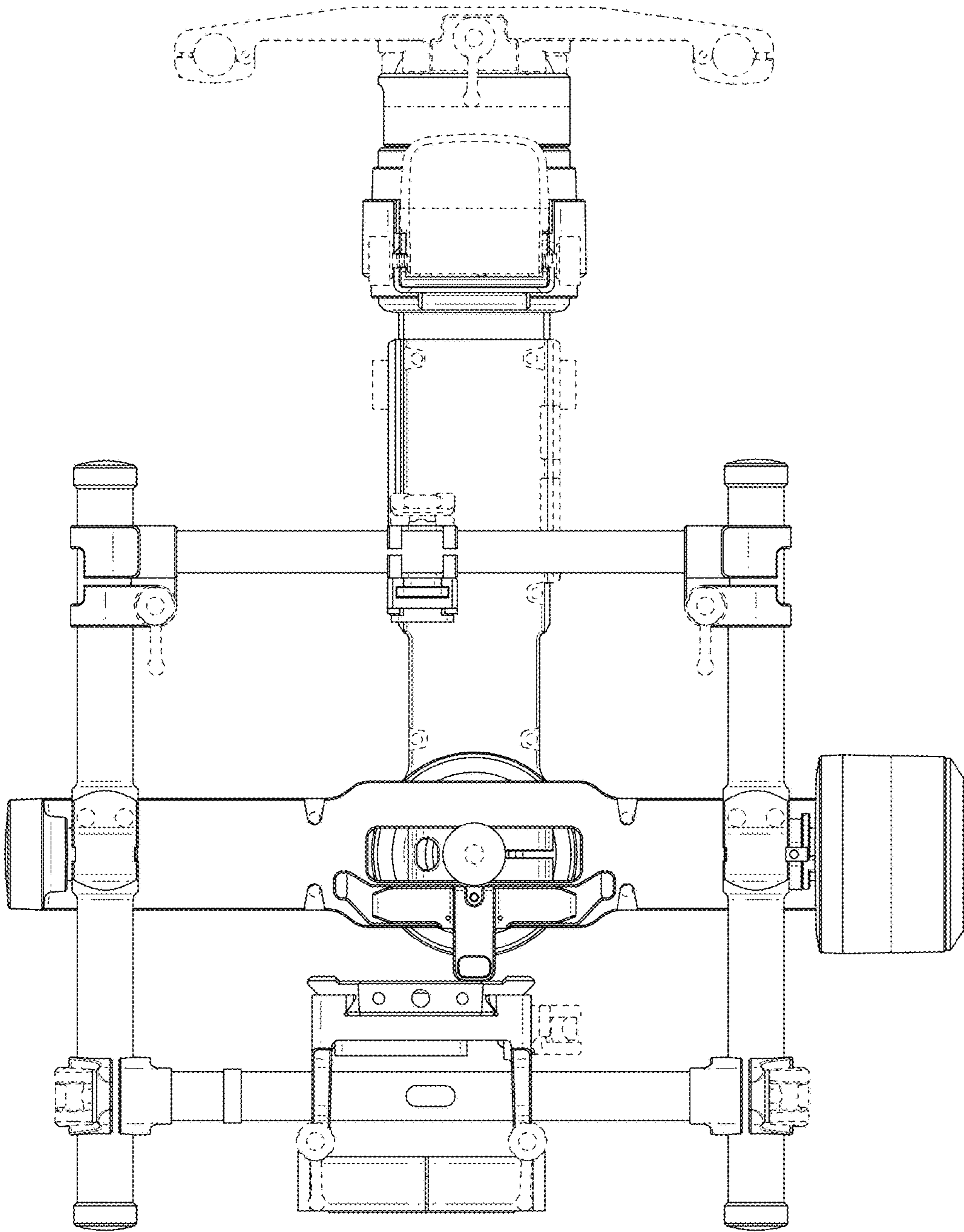


FIG. 3

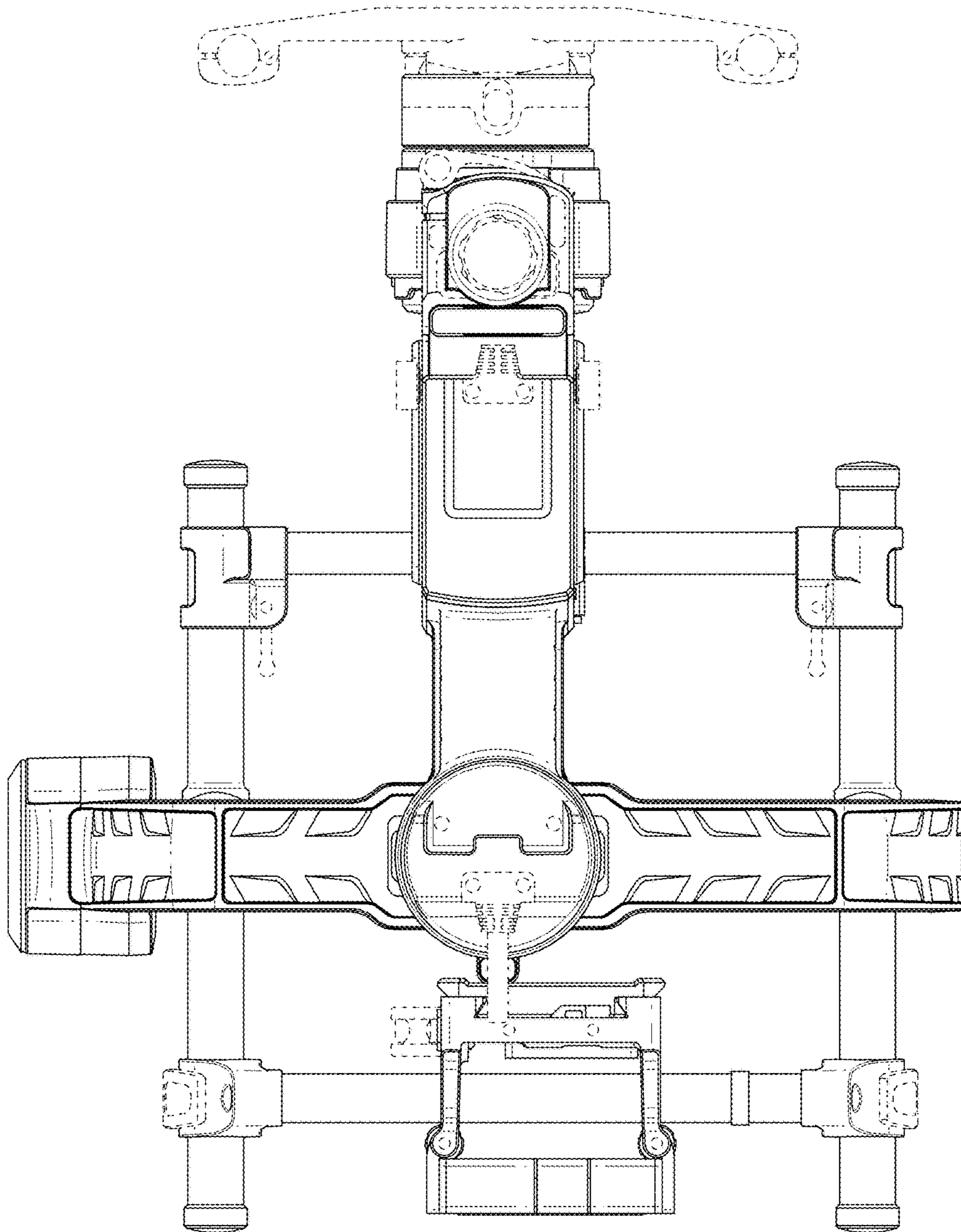


FIG. 4

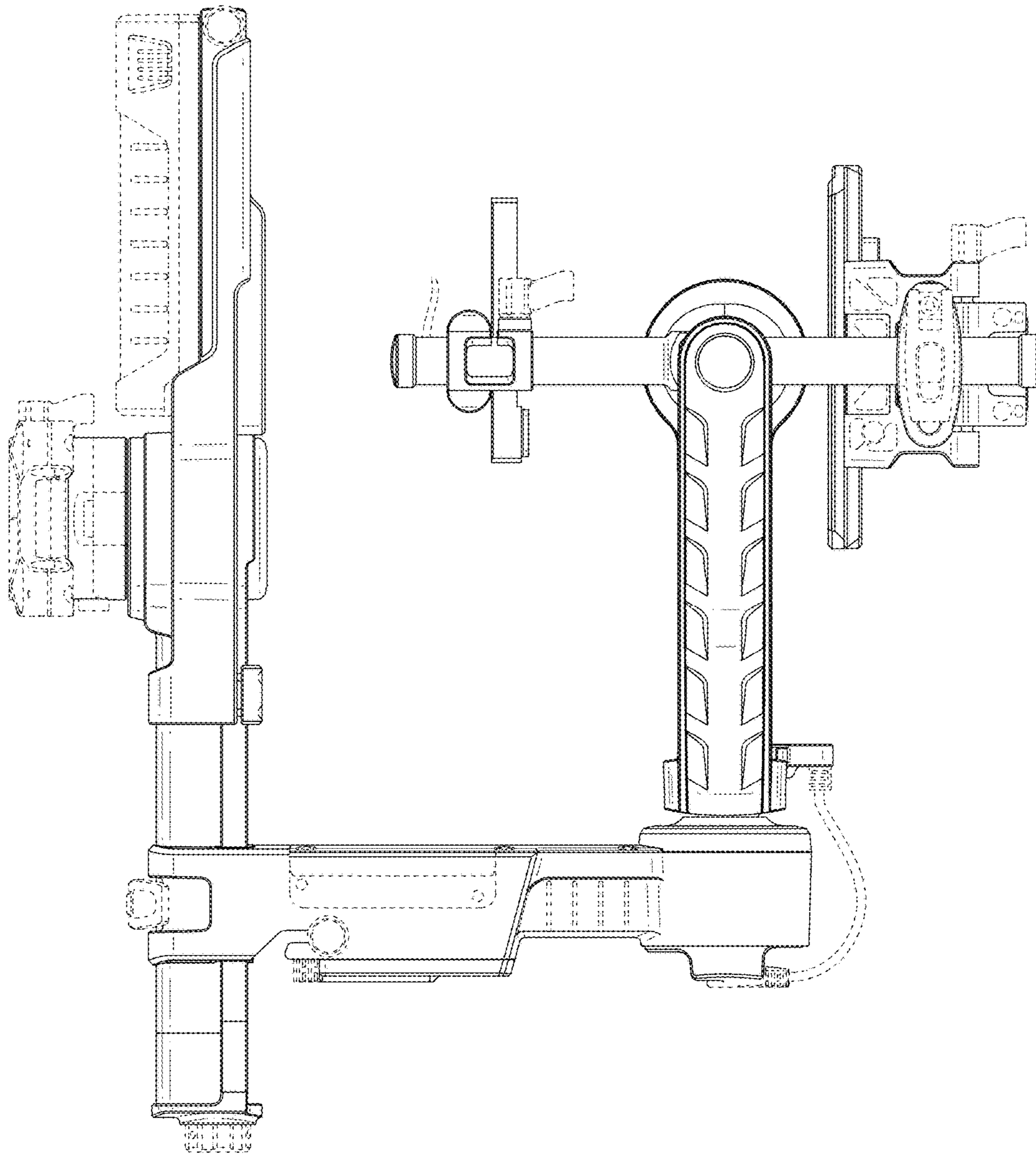


FIG. 5

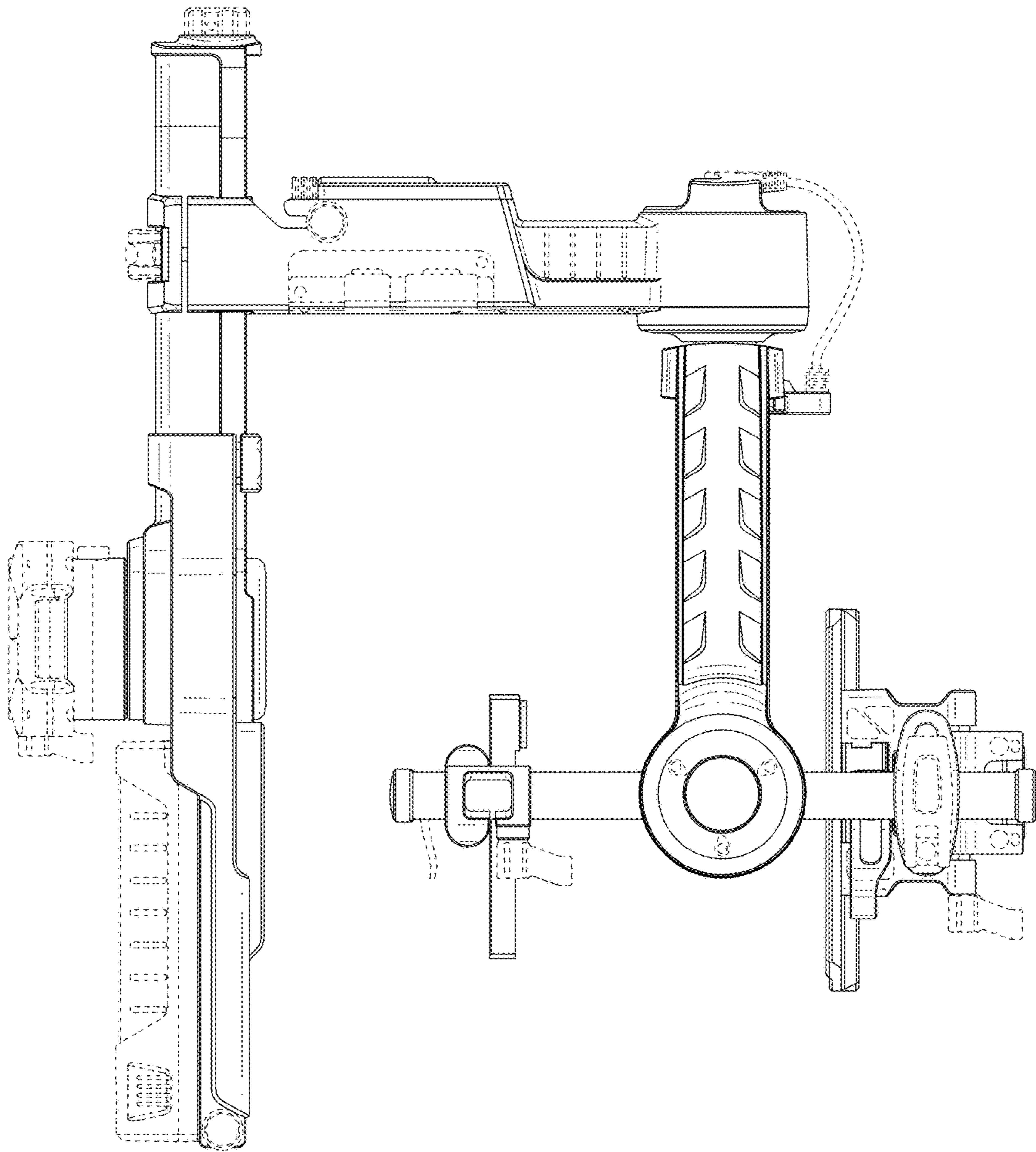


FIG. 6

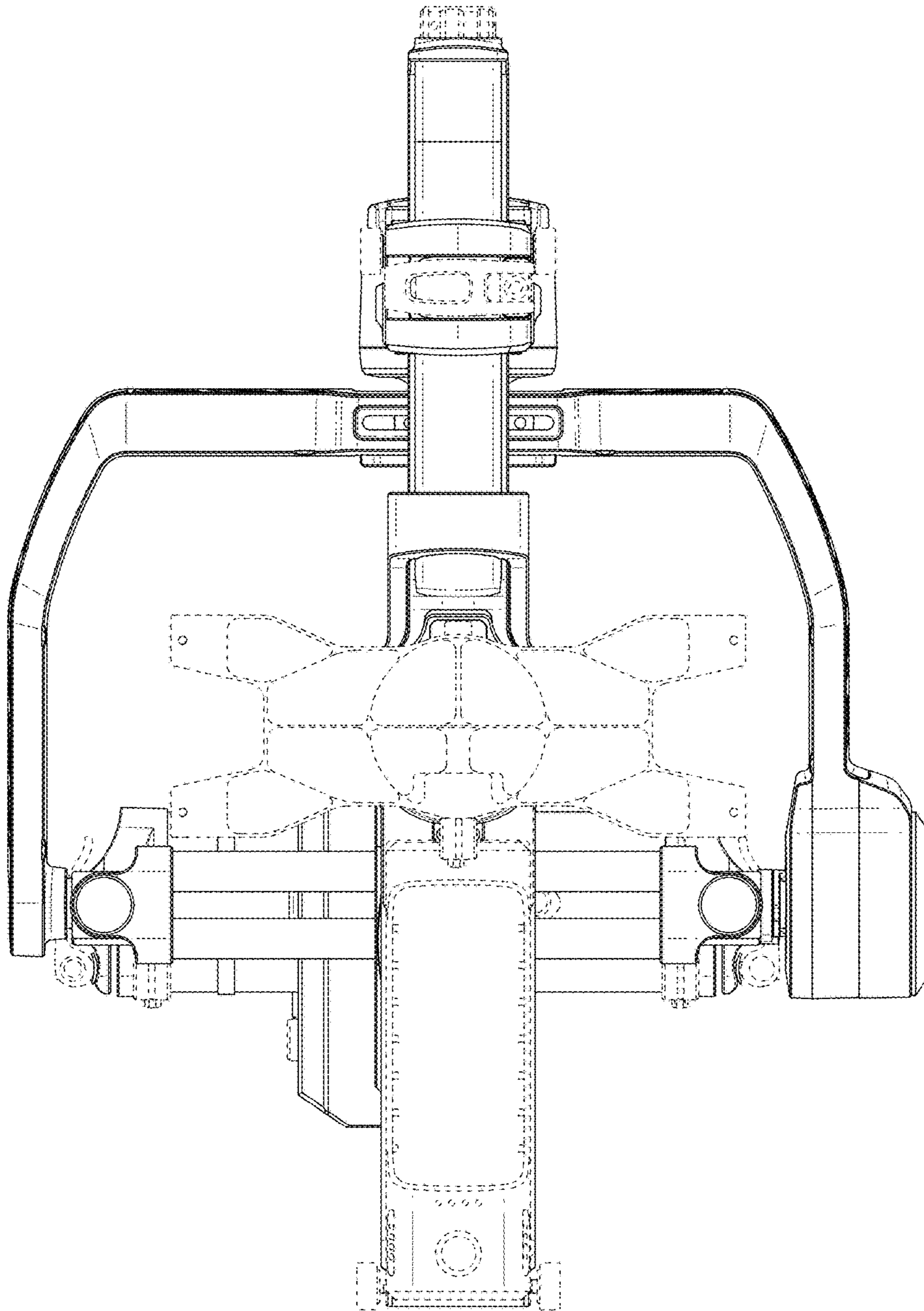


FIG. 7

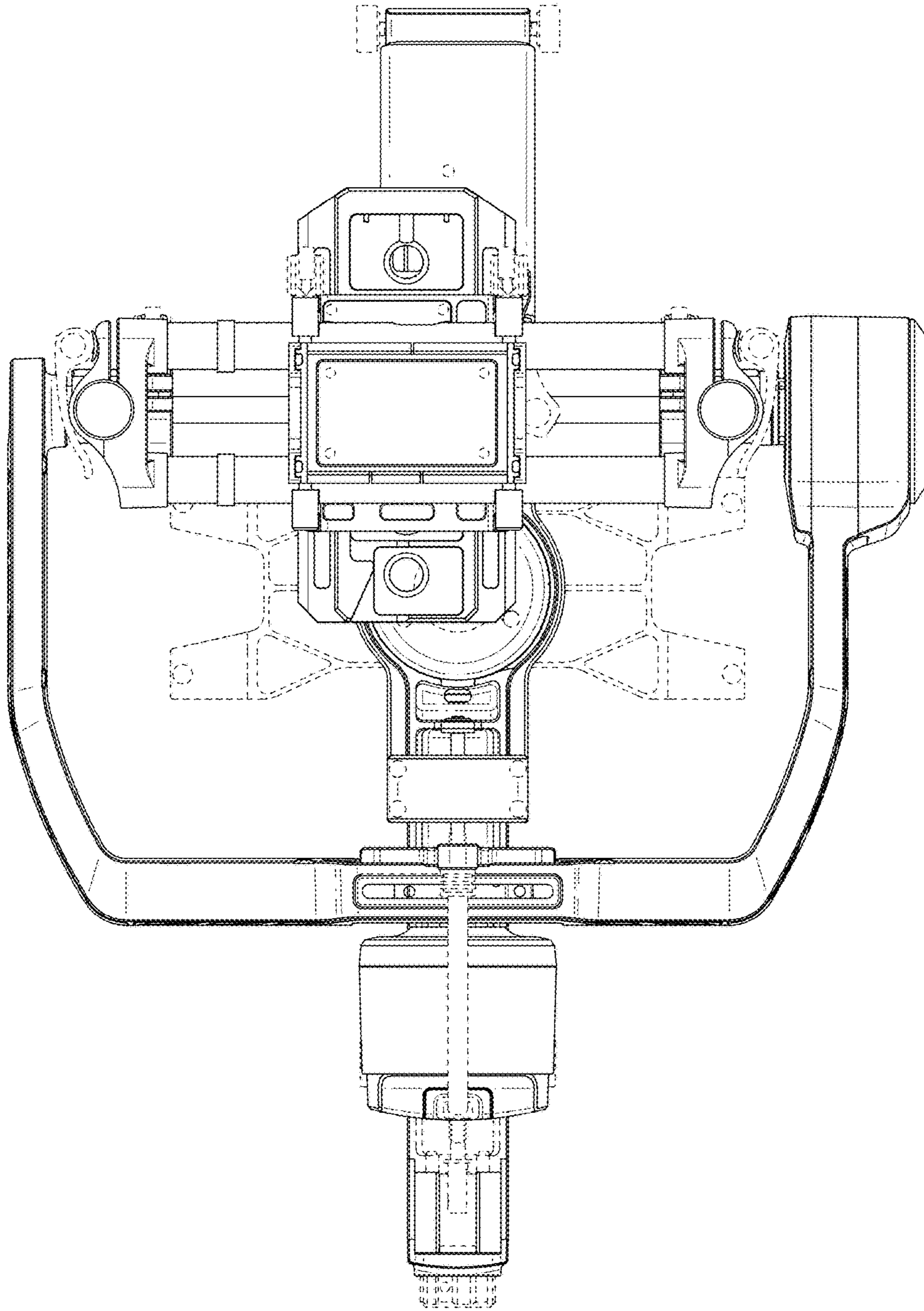


FIG. 8