



US00D794107S

(12) **United States Design Patent**  
**Tagawa et al.**

(10) **Patent No.:** **US D794,107 S**  
(45) **Date of Patent:** **\*\* Aug. 8, 2017**

(54) **CAMERA LENS**

**DESCRIPTION**

(71) Applicant: **TAMRON CO., LTD.**, Saitama-shi, Saitama (JP)  
(72) Inventors: **Kinya Tagawa**, Tokyo (JP); **Shota Matsuda**, Tokyo (JP)  
(73) Assignee: **TAMRON CO., LTD.**, Saitama-shi (JP)  
(\*\*) Term: **15 Years**  
(21) Appl. No.: **29/537,994**  
(22) Filed: **Aug. 31, 2015**

(30) **Foreign Application Priority Data**

Jul. 29, 2015 (JP) ..... 2015-016902

(51) **LOC (10) Cl.** ..... **16-05**

(52) **U.S. Cl.**  
USPC ..... **D16/219**

(58) **Field of Classification Search**  
USPC ..... D16/200, 210, 211, 218, 219, 202-206, D16/208, 201, 217; D9/414, 418, 427,  
(Continued)

(56) **References Cited**

**U.S. PATENT DOCUMENTS**

D412,922 S \* 8/1999 Sekine ..... D16/134  
D420,029 S \* 2/2000 Kimura ..... D16/134  
(Continued)

*Primary Examiner* — Robin V Webster

*Assistant Examiner* — Rachel Voorhies

(74) *Attorney, Agent, or Firm* — Westerman, Hattori, Daniels & Adrian, LLP

(57) **CLAIM**

The ornamental design for a camera lens, as shown and described.

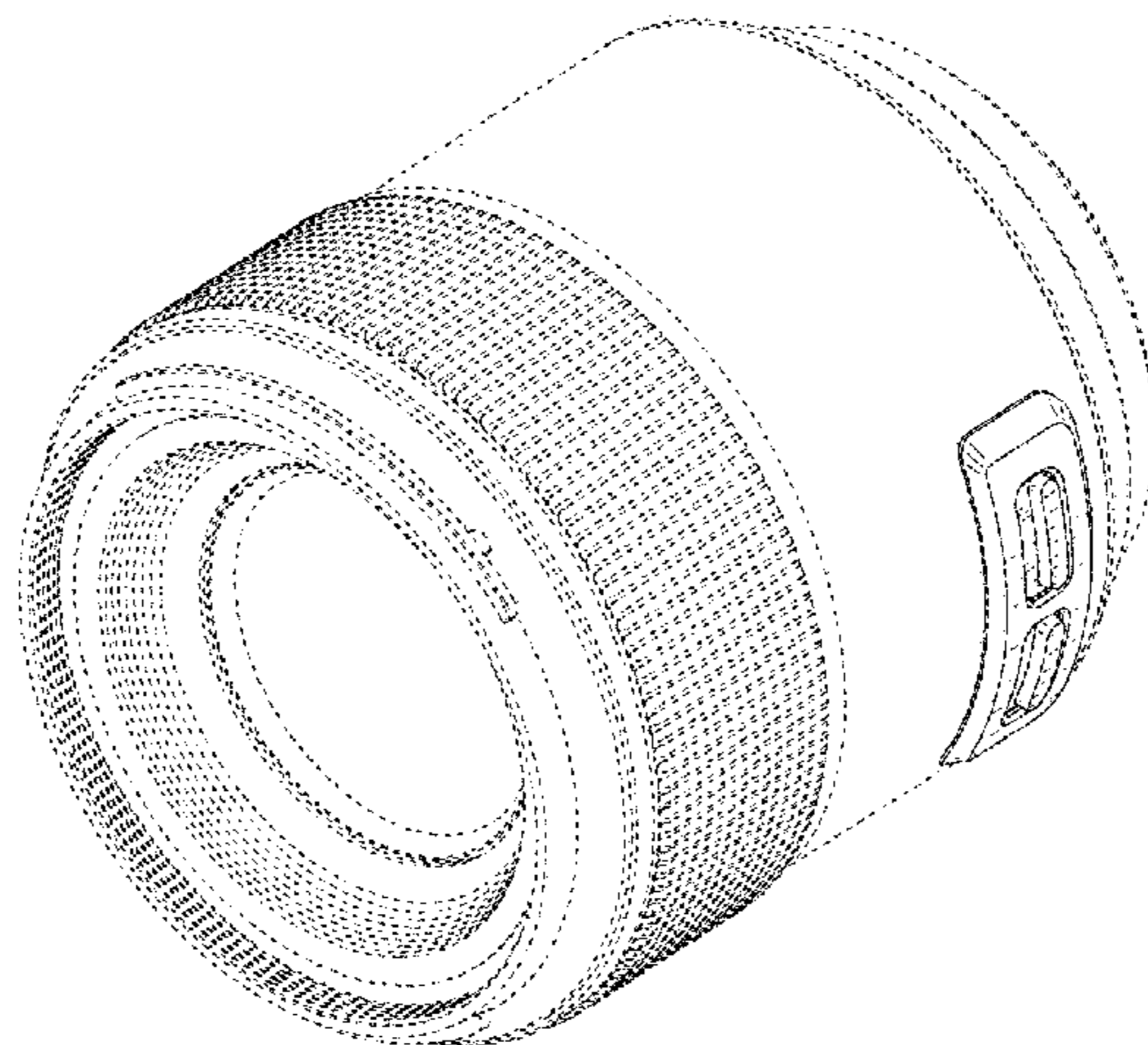
FIG. 1 is a front, left, bottom perspective view of a camera lens showing a first embodiment of our new design, FIG. 2 is a rear, right, top perspective view thereof, FIG. 3 is a front elevation view thereof, FIG. 4 is a rear elevation thereof, FIG. 5 is a left side elevation view thereof, FIG. 6 is a right side elevation view thereof, FIG. 7 is a top plan view thereof, FIG. 8 is a bottom plan view thereof, FIG. 9 is a left side elevation view thereof, FIG. 10 is a cross section thereof taken along a line 10-10 in FIG. 9, in which the inside mechanism of the camera lens, which is not claimed, is omitted.

FIG. 11 is a front, left, bottom perspective view of a camera lens showing a second embodiment of our new design, FIG. 12 is a rear, right, top perspective view thereof, FIG. 13 is a front elevation view thereof, FIG. 14 is a rear elevation thereof, FIG. 15 is a left side elevation view thereof, FIG. 16 is a right side elevation view thereof, FIG. 17 is a top plan view thereof, FIG. 18 is a bottom plan view thereof, FIG. 19 is a left side elevation view thereof, FIG. 20 is a cross section thereof taken along a line 20-20 in FIG. 19,

FIG. 21 is a front, left, bottom perspective view of a camera lens showing a third embodiment of our new design, FIG. 22 is a rear, right, top perspective view thereof, FIG. 23 is a front elevation view thereof, FIG. 24 is a rear elevation thereof, FIG. 25 is a left side elevation view thereof, FIG. 26 is a right side elevation view thereof, FIG. 27 is a top plan view thereof, FIG. 28 is a bottom plan view thereof, FIG. 29 is a left side elevation view thereof; and, FIG. 30 is a cross section thereof taken along a line 30-30 in FIG. 29.

The broken lines in the drawings illustrate portions of the camera lens which form no part of the claimed design.

**1 Claim, 15 Drawing Sheets**



# US D794,107 S

Page 2

(58) **Field of Classification Search**

USPC ..... D9/430, 432; D6/517, 524, 527, 528,  
D6/531, 535, 559; D14/174, 194, 204,  
D14/221; 348/148, 372-376; 396/529,  
396/535, 539-541  
CPC ..... G03B 15/03; G03B 17/02; G03B 17/04;  
G03B 17/56; G03B 19/04; G03B 1/00;  
G03B 7/00; G03B 13/02; G03B 13/04;  
G03B 13/1963; H04N 5/2251; H04N  
5/2252; H04N 5/2253; H04N 5/2254

See application file for complete search history.

(56) **References Cited**

U.S. PATENT DOCUMENTS

D433,044 S \* 10/2000 Nagaoka ..... D16/134  
D441,382 S \* 5/2001 Konno ..... D16/134  
D449,322 S \* 10/2001 Ono ..... D16/134  
D562,865 S \* 2/2008 Yasutomi ..... D16/134  
D566,158 S \* 4/2008 Yasutomi ..... D16/134  
D583,847 S \* 12/2008 Watanabe ..... D16/134  
D713,870 S \* 9/2014 Li ..... D16/219

D718,362 S \* 11/2014 Noh ..... D16/219  
D744,024 S \* 11/2015 Oh ..... D16/219  
2009/0279192 A1\* 11/2009 Harada ..... G02B 7/04  
359/825  
2011/0164172 A1\* 7/2011 Shintani ..... G03B 9/36  
348/362  
2012/0044621 A1\* 2/2012 Fujiwara ..... G03B 17/02  
361/679.01  
2013/0028590 A1\* 1/2013 Hasuda ..... G03B 17/14  
396/530  
2013/0088632 A1\* 4/2013 Korekuni ..... H04N 5/23209  
348/335  
2014/0211083 A1\* 7/2014 Wakikawa ..... H04N 5/2254  
348/373  
2015/0049202 A1\* 2/2015 Okabe ..... G03B 17/02  
348/207.1  
2015/0097983 A1\* 4/2015 Kim ..... H04N 5/23209  
348/222.1  
2015/0181090 A1\* 6/2015 Park ..... H04N 5/2254  
348/374  
2015/0326788 A1\* 11/2015 Tsuge ..... G03B 17/14  
348/211.1

\* cited by examiner

FIG. 1

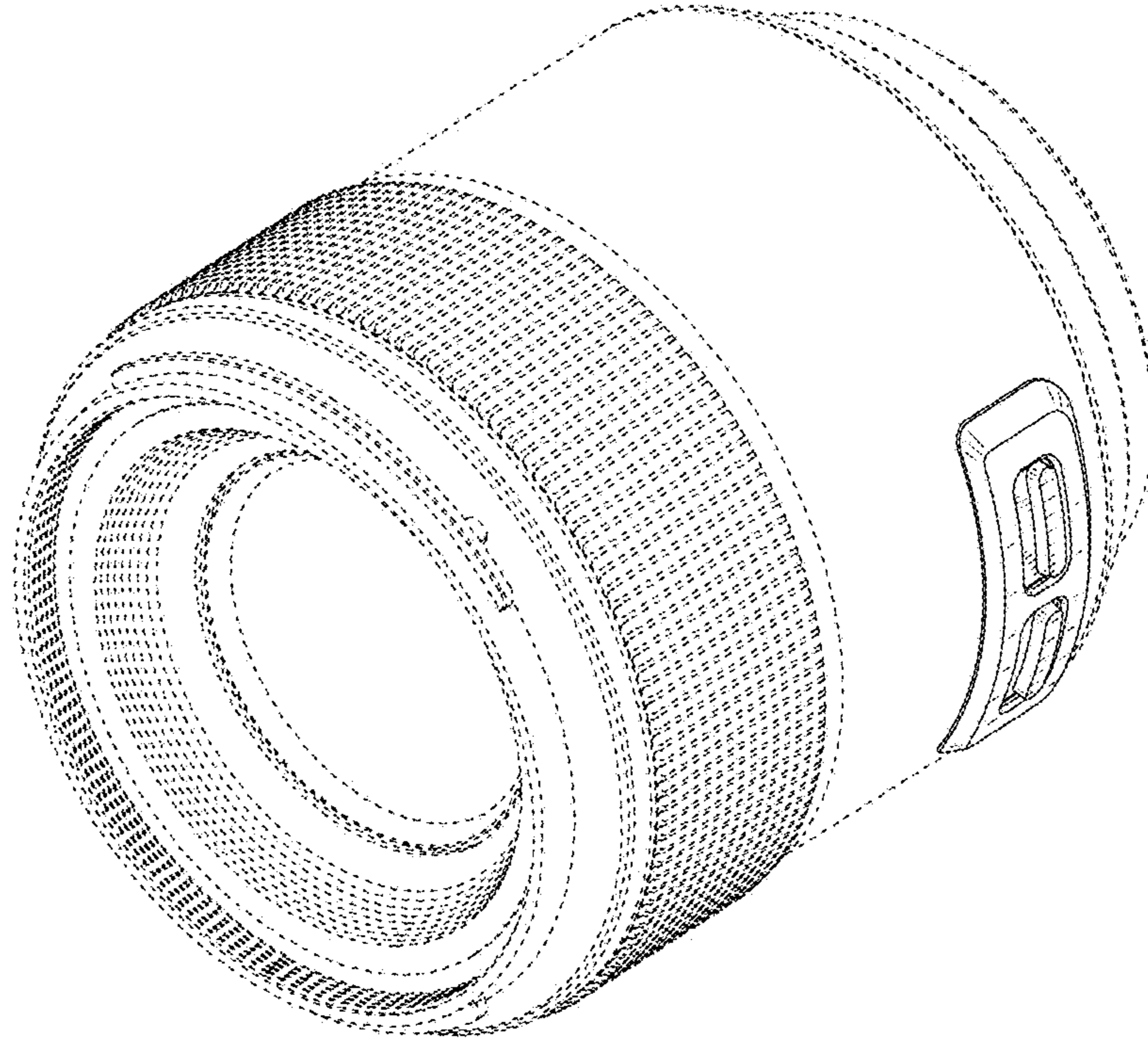


FIG. 2

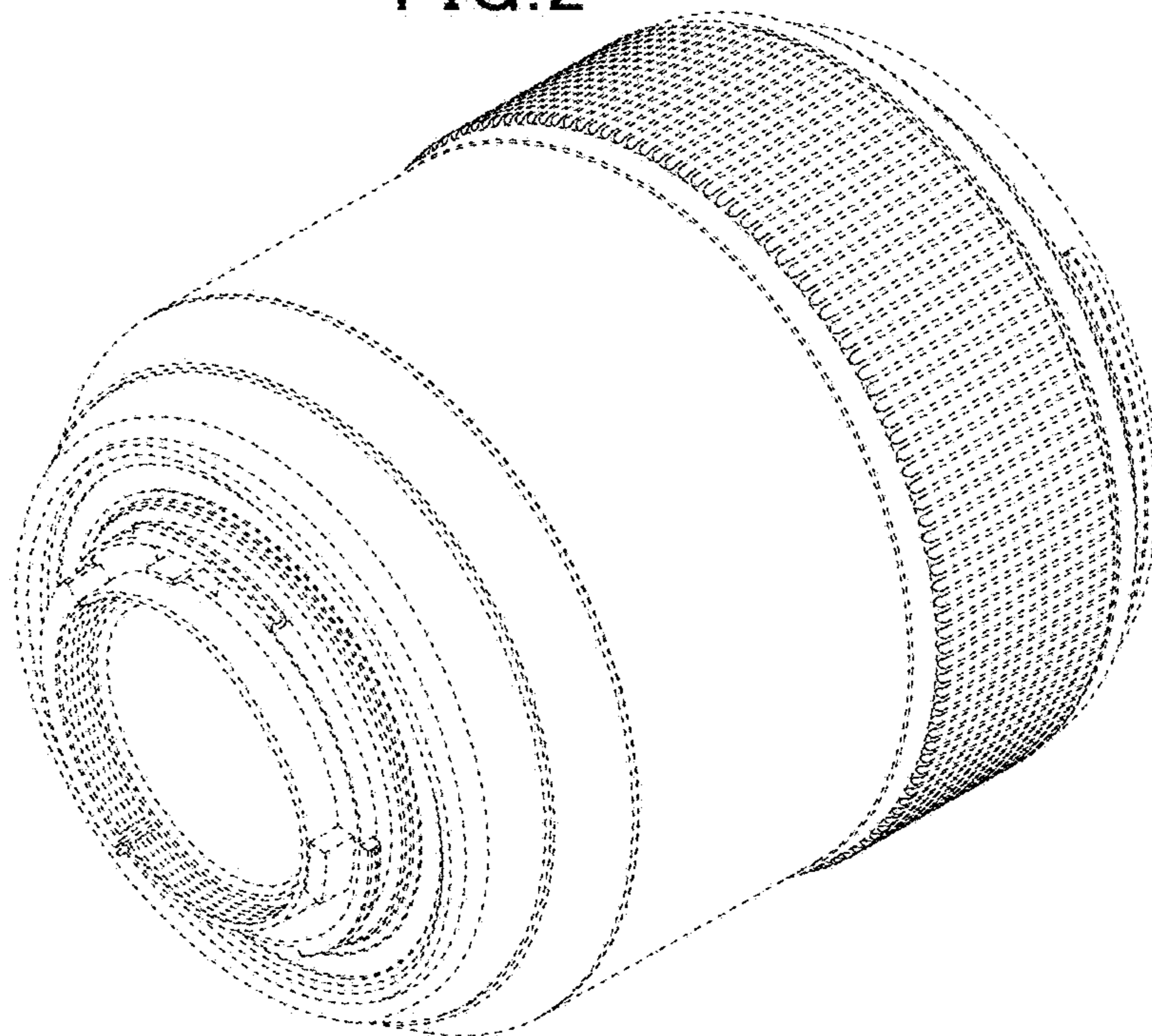


FIG. 3

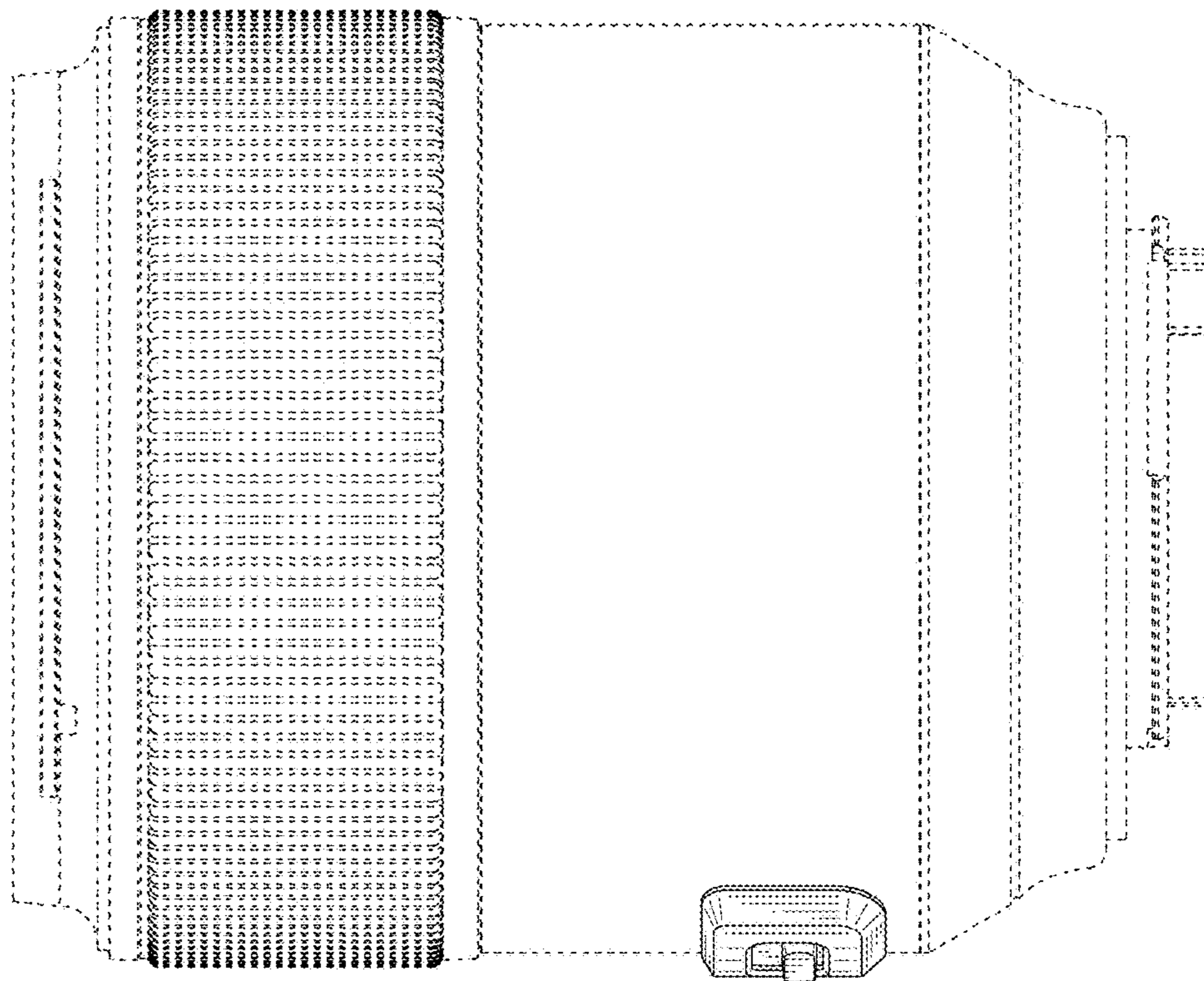


FIG. 4

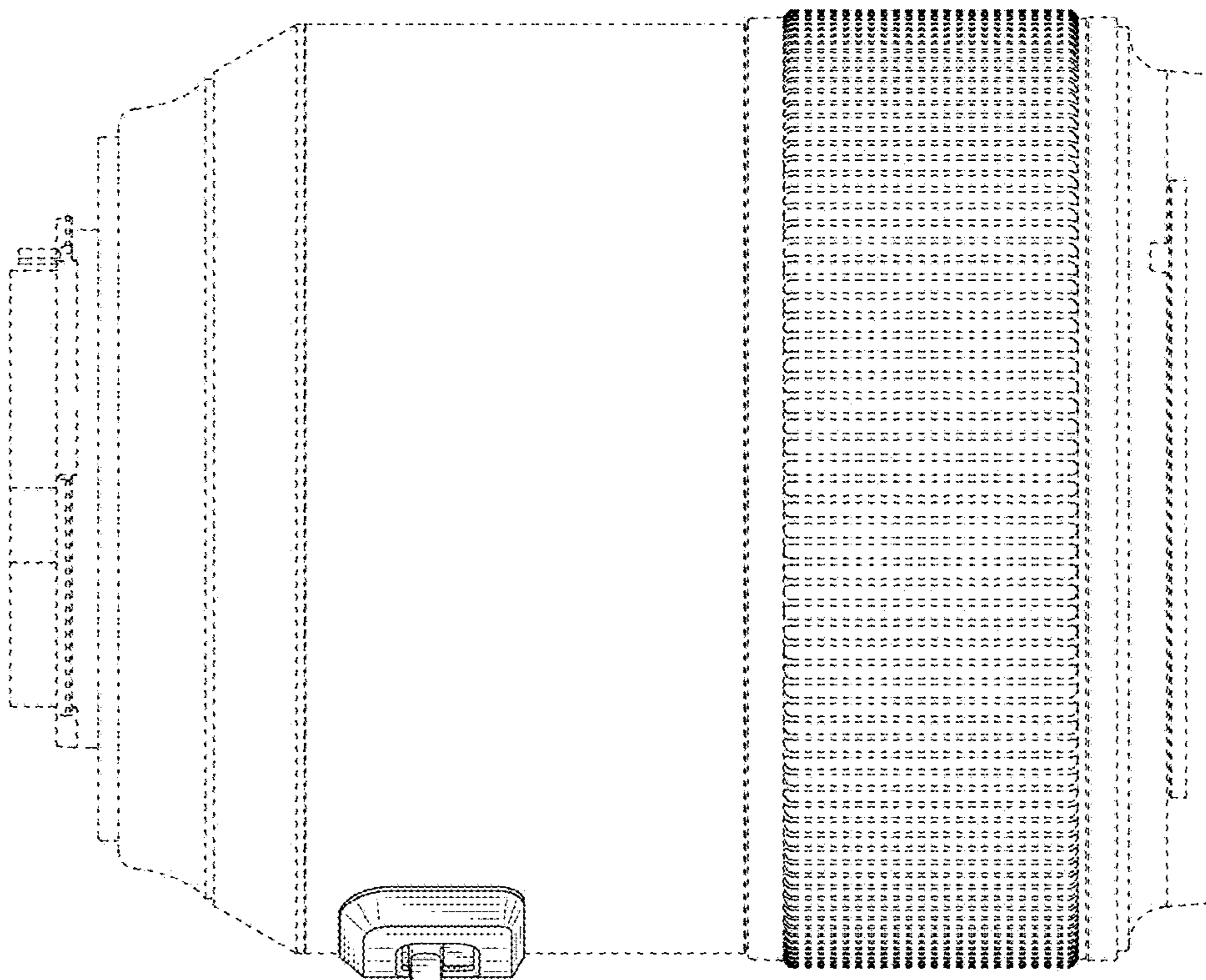


FIG. 5

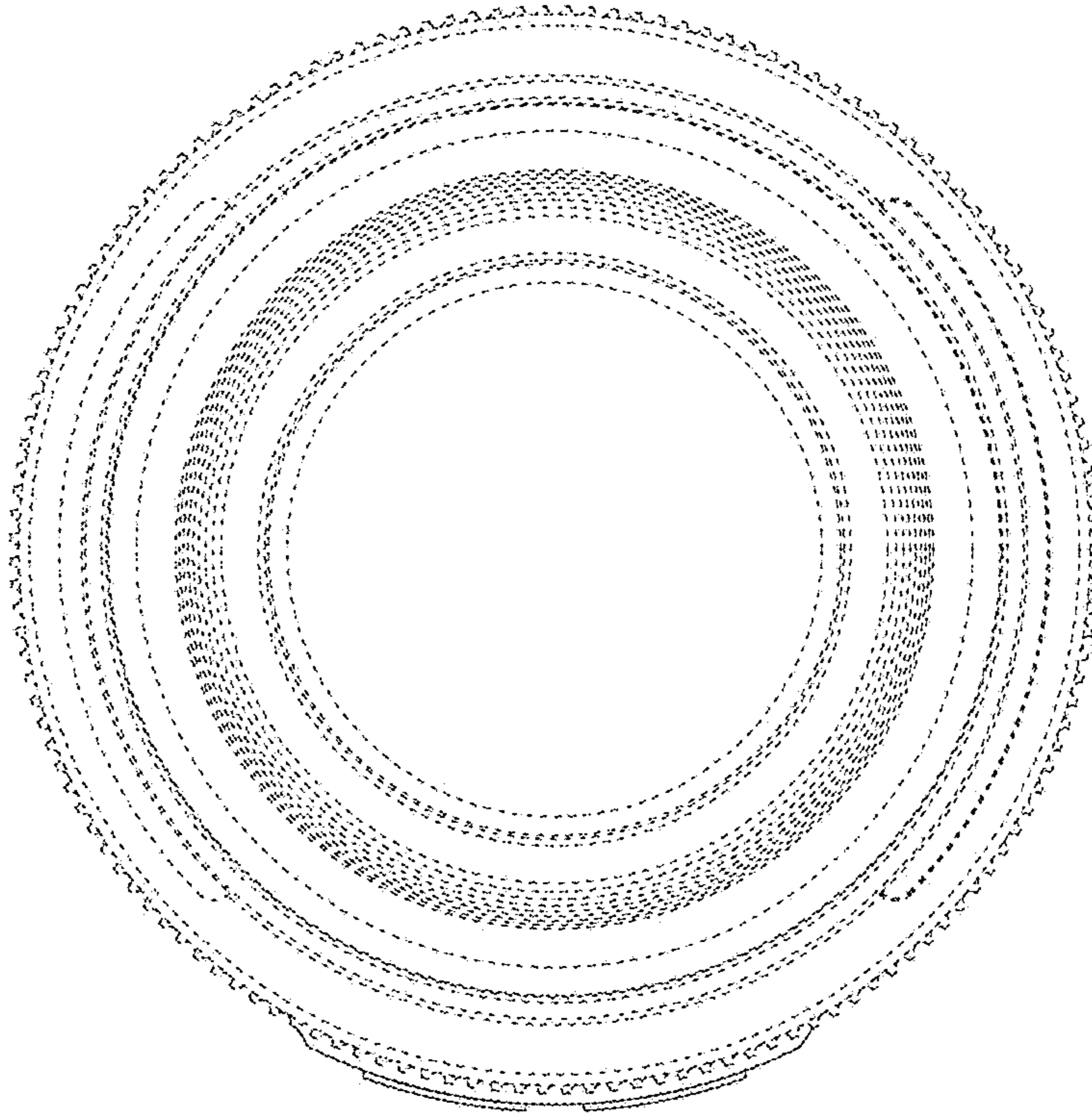


FIG. 6

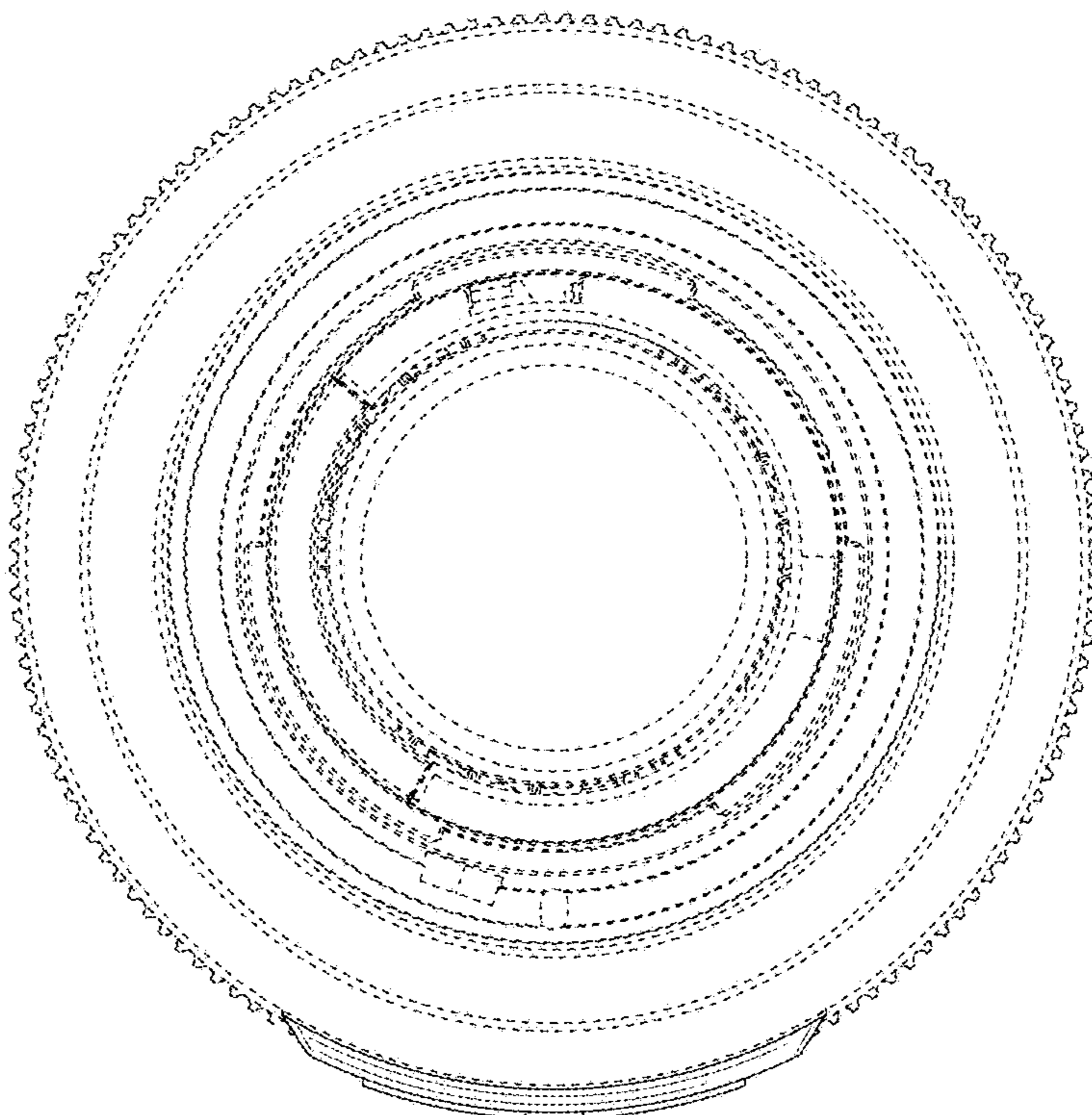


FIG. 7

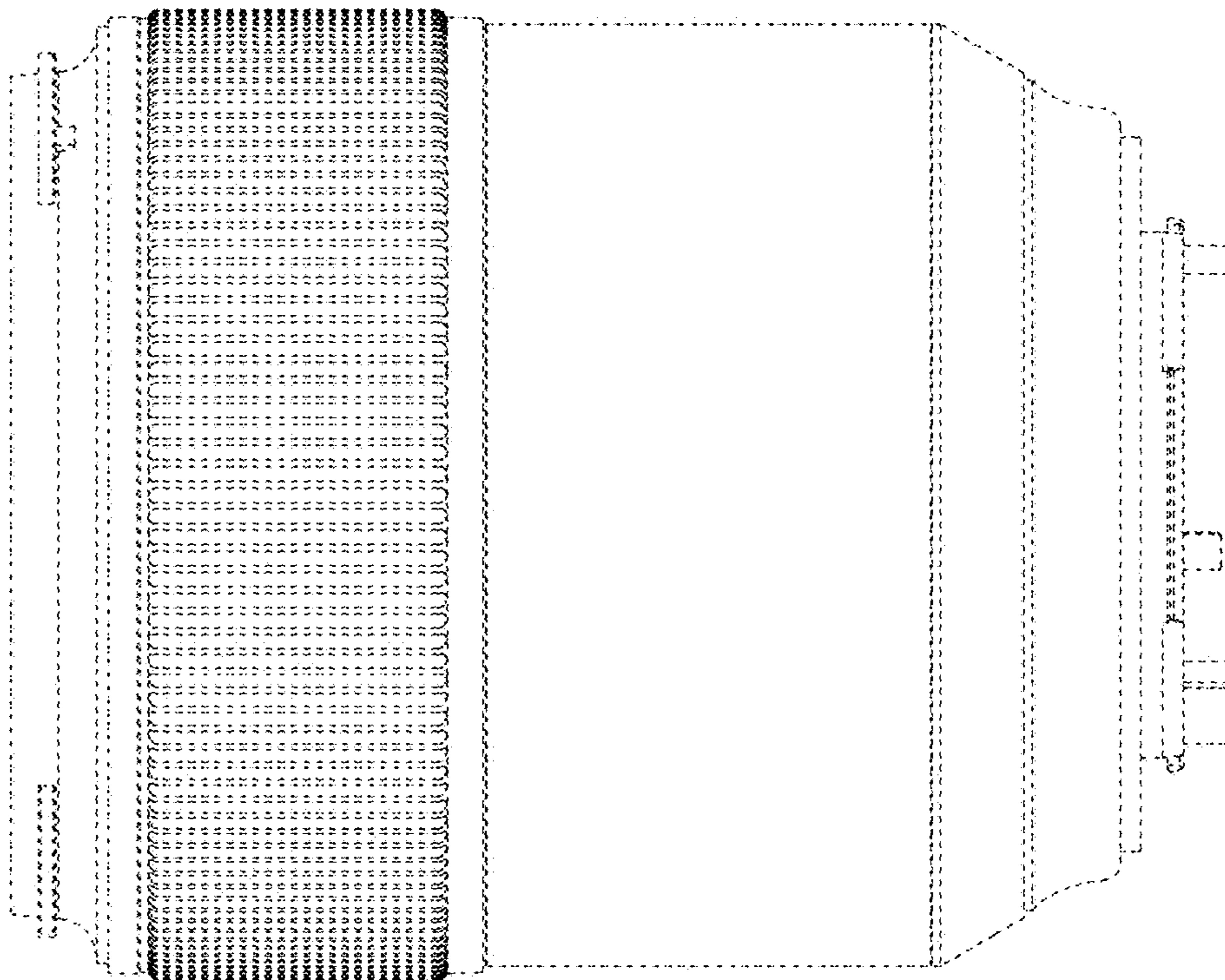


FIG. 8

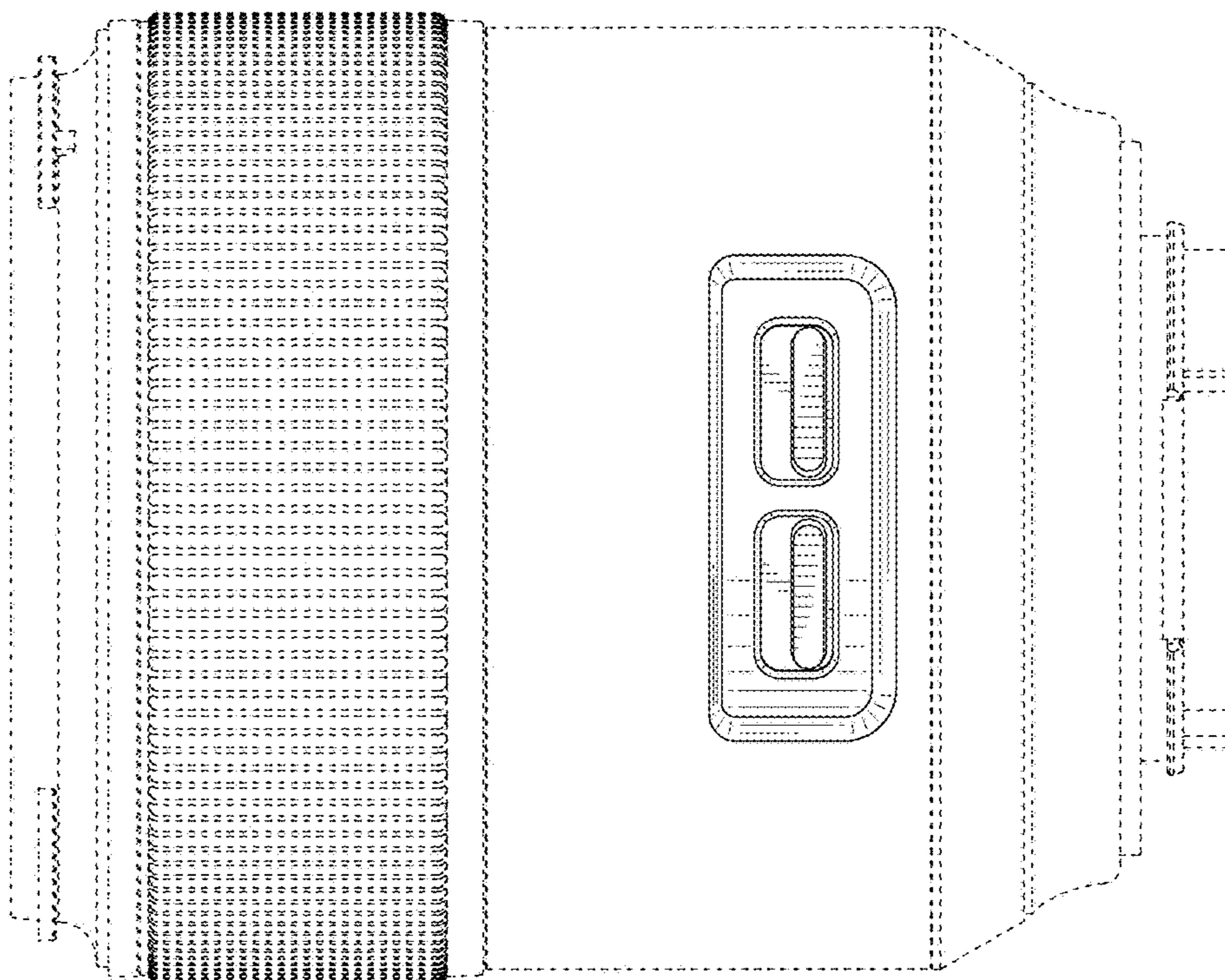


FIG. 9

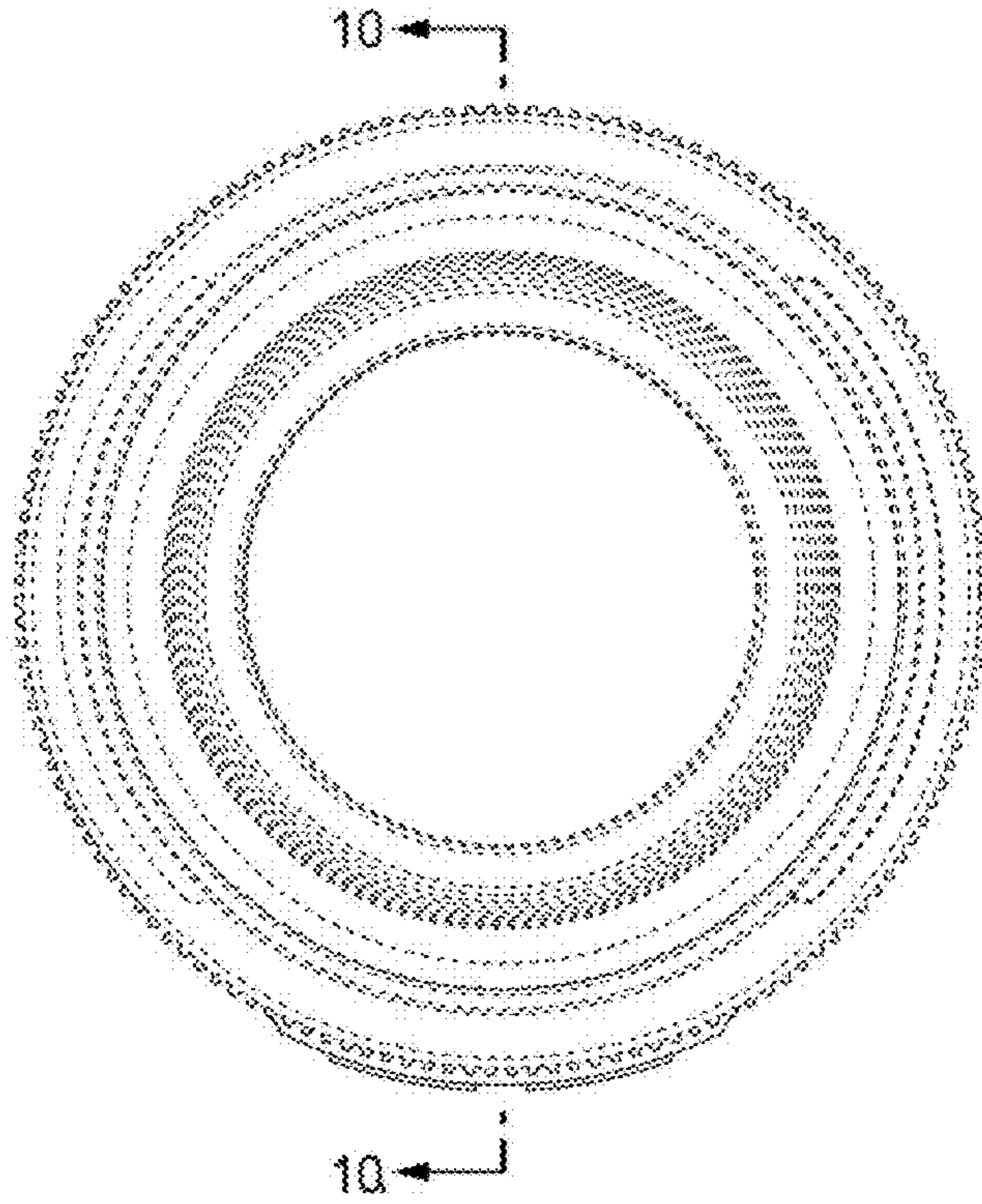


FIG. 10

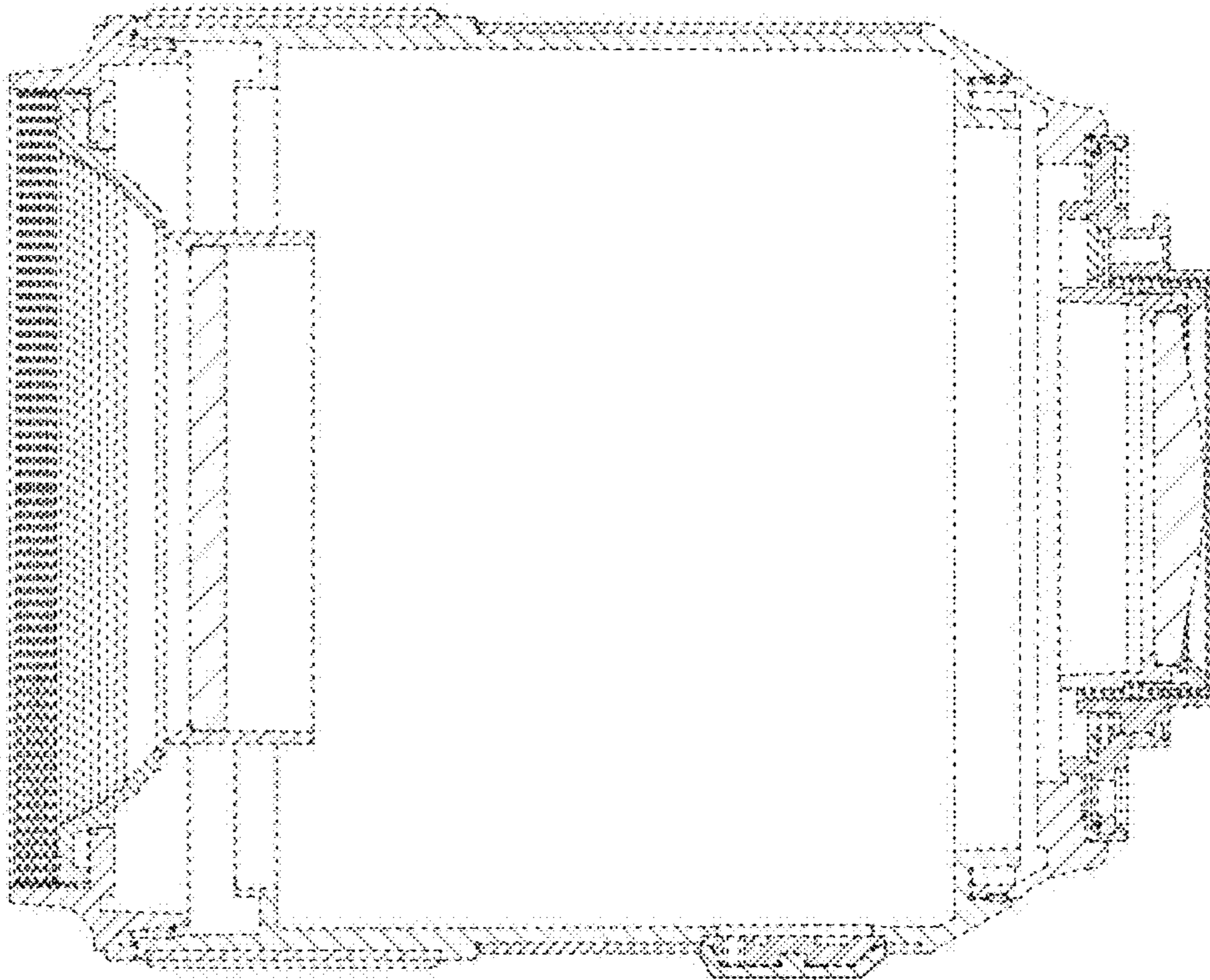


FIG. 11

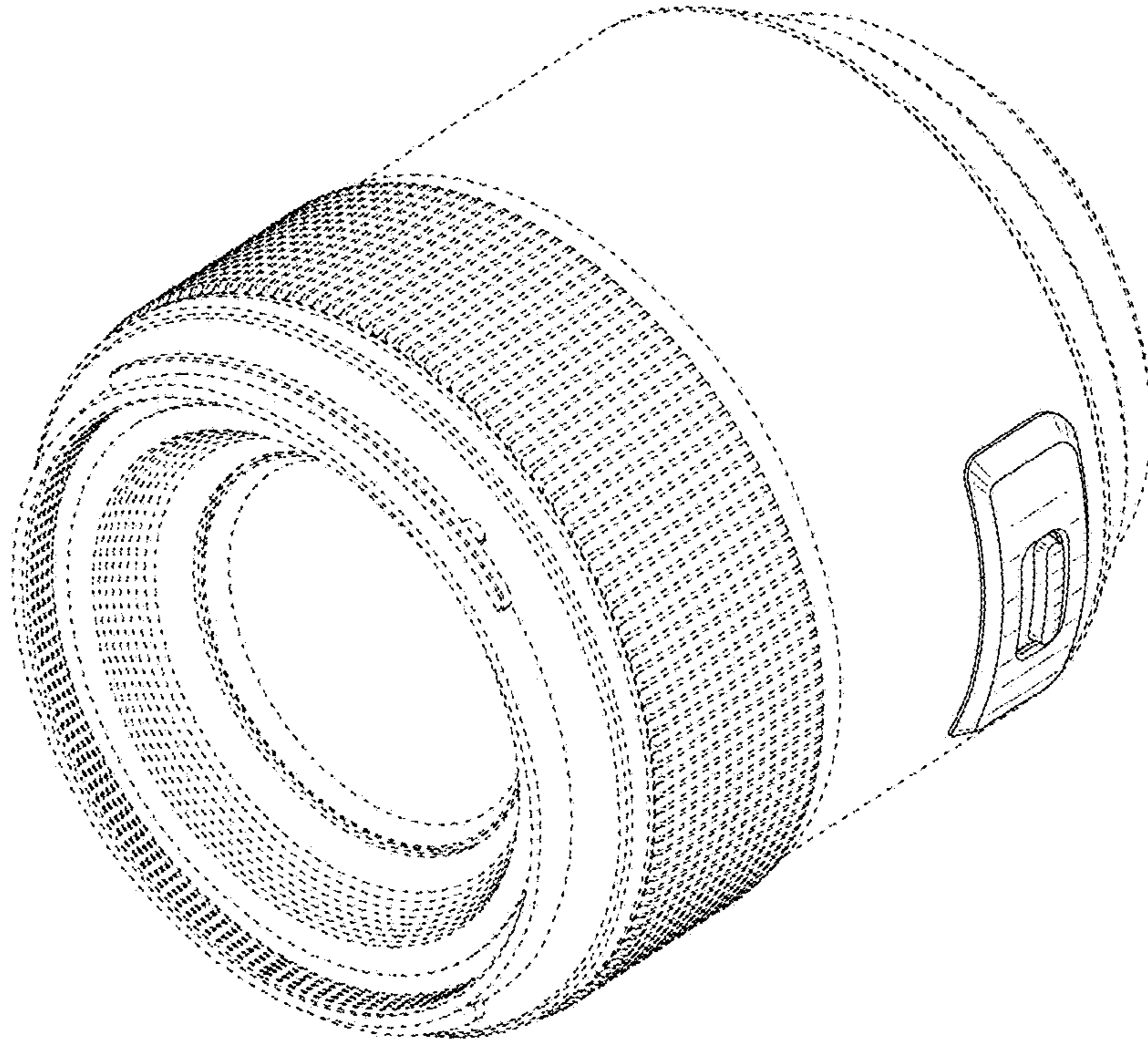


FIG. 12

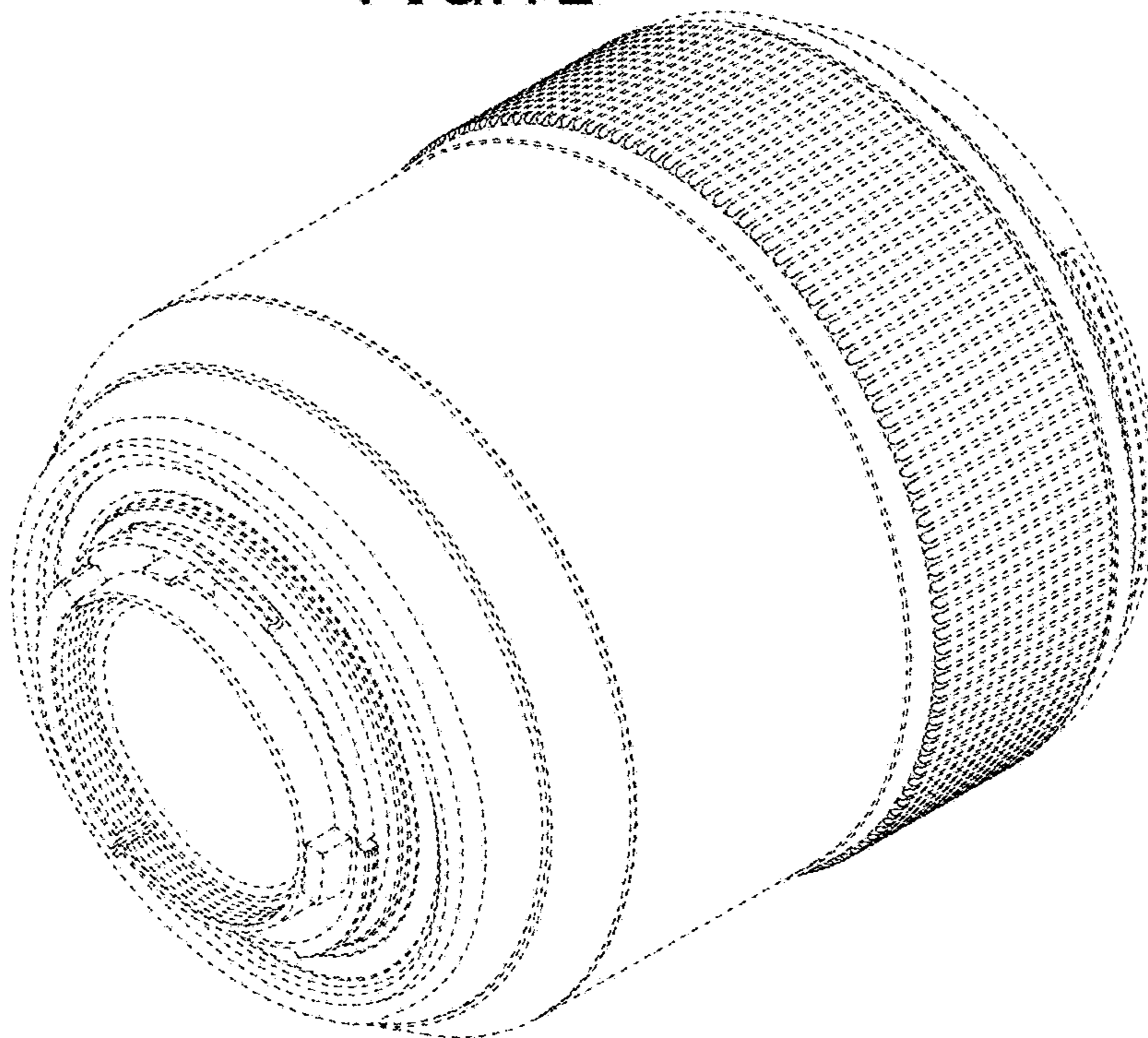




FIG. 13

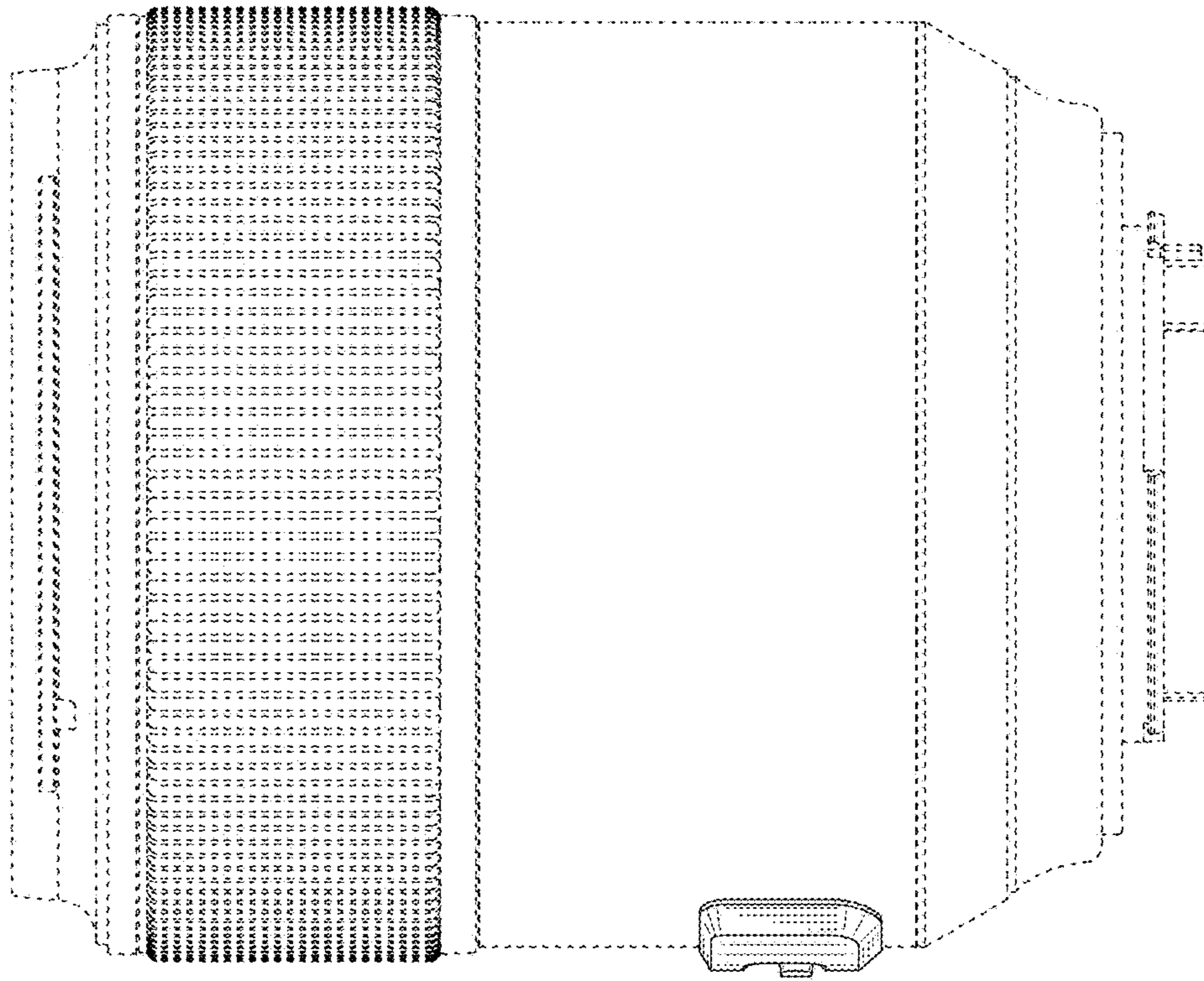


FIG. 14

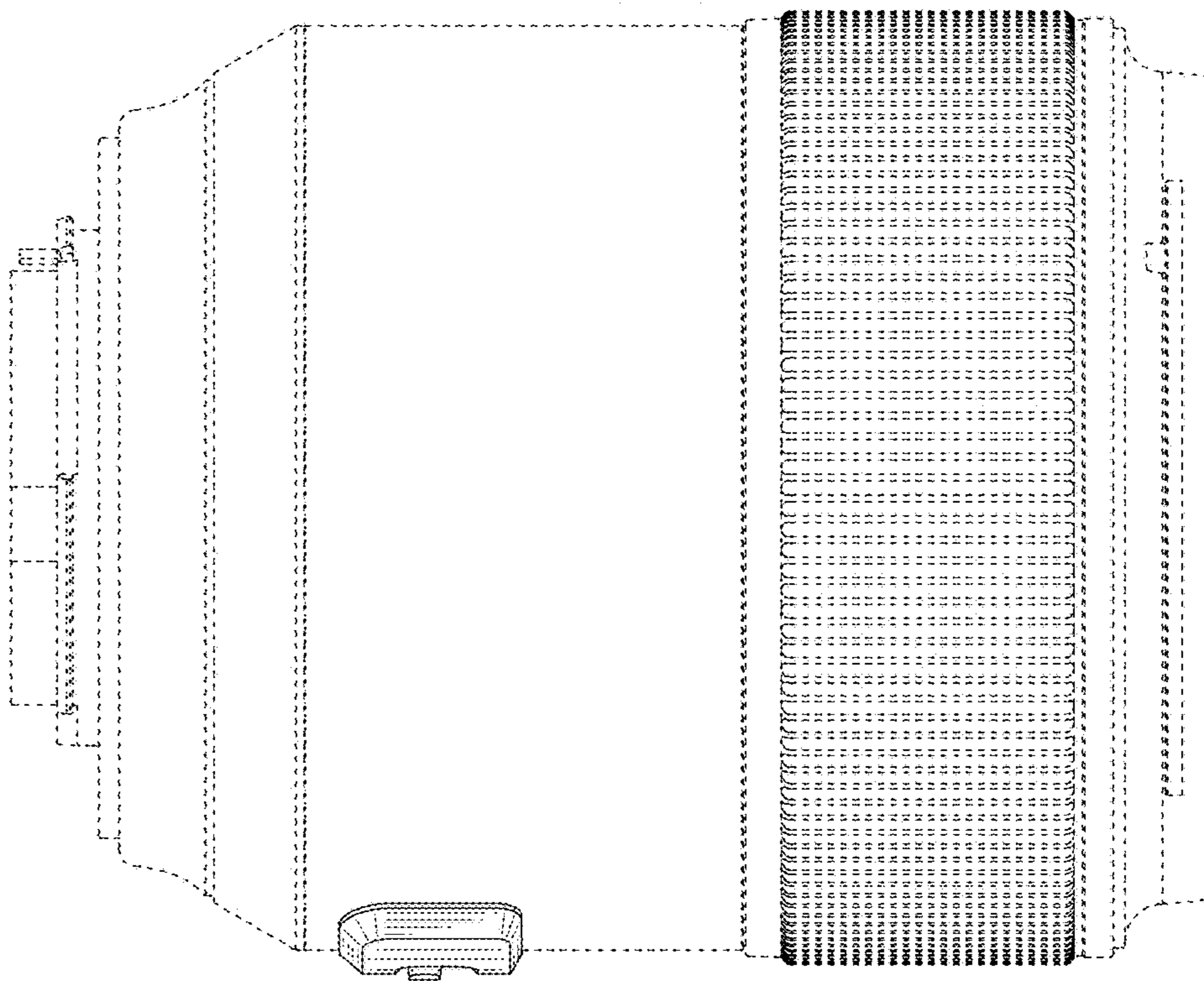


FIG. 15

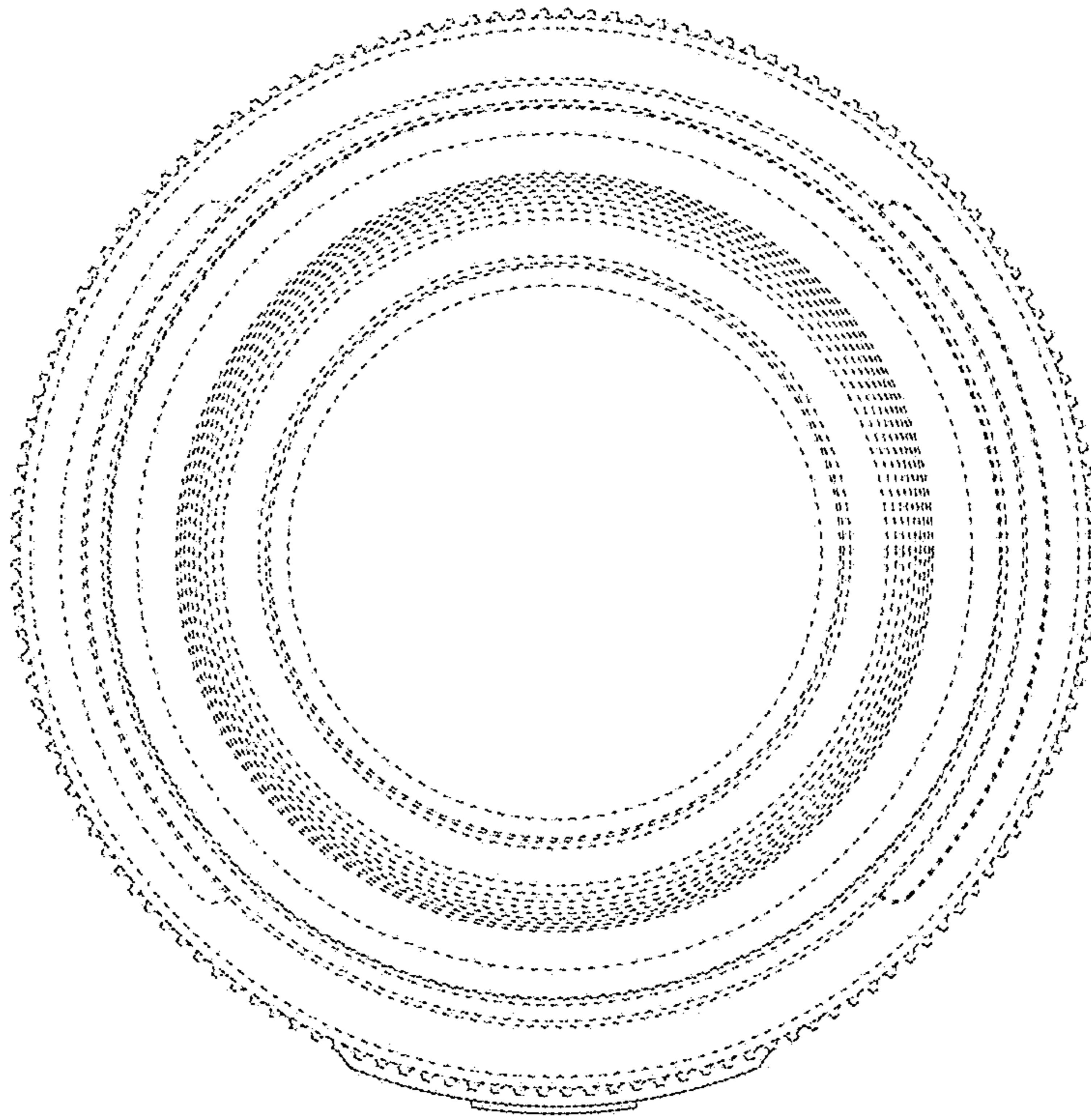


FIG. 16

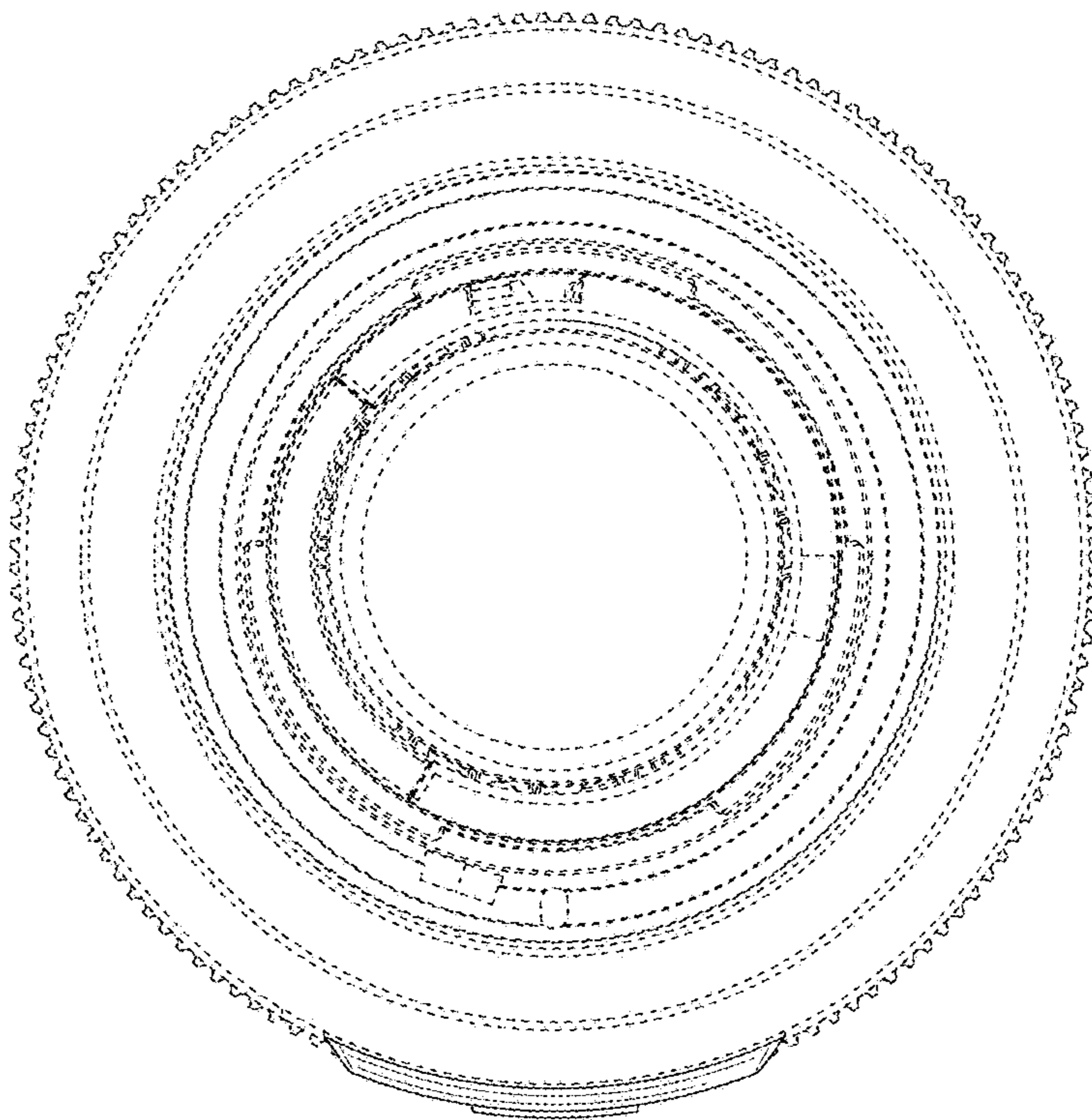


FIG. 17

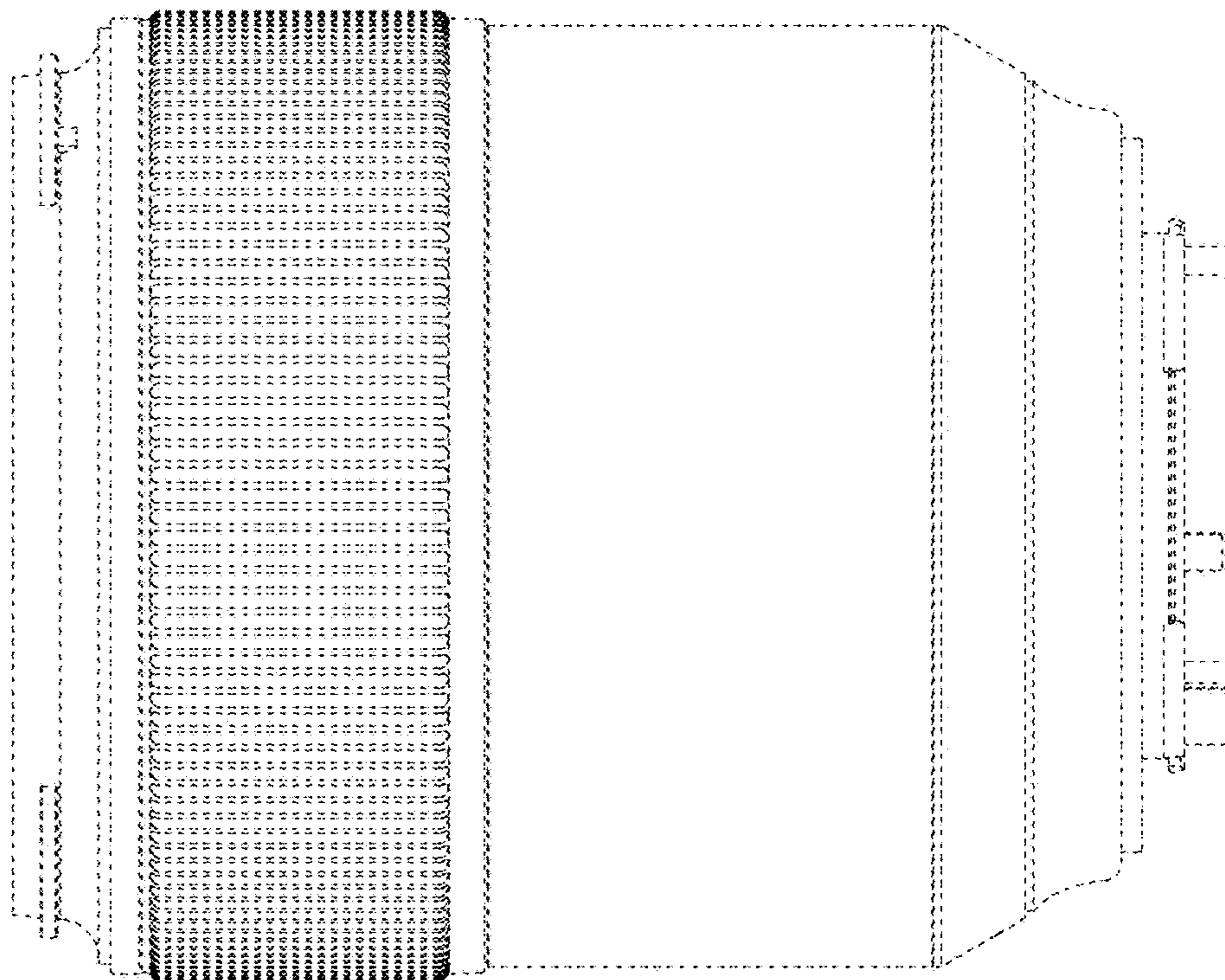


FIG. 18

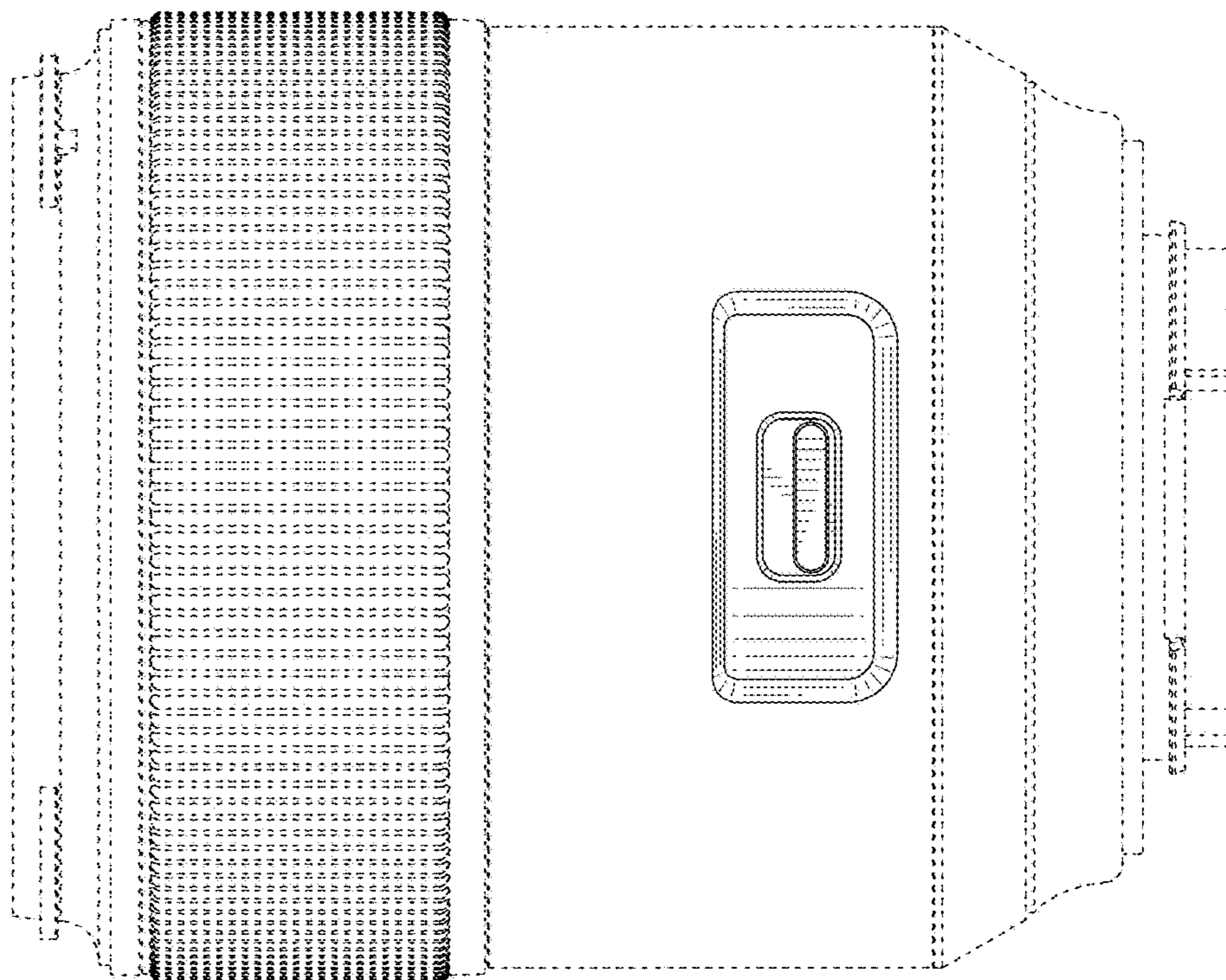


FIG. 19

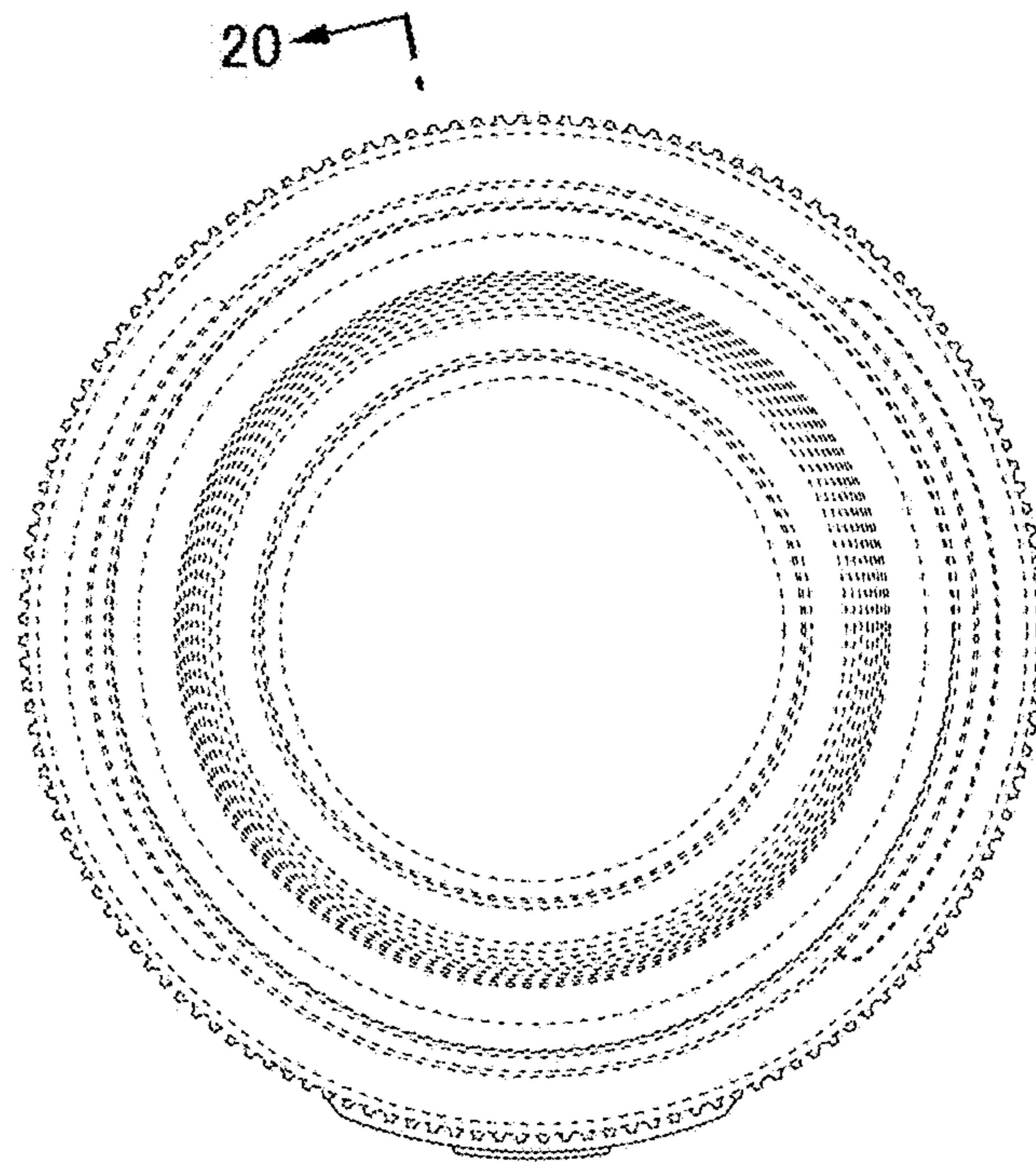


FIG. 20

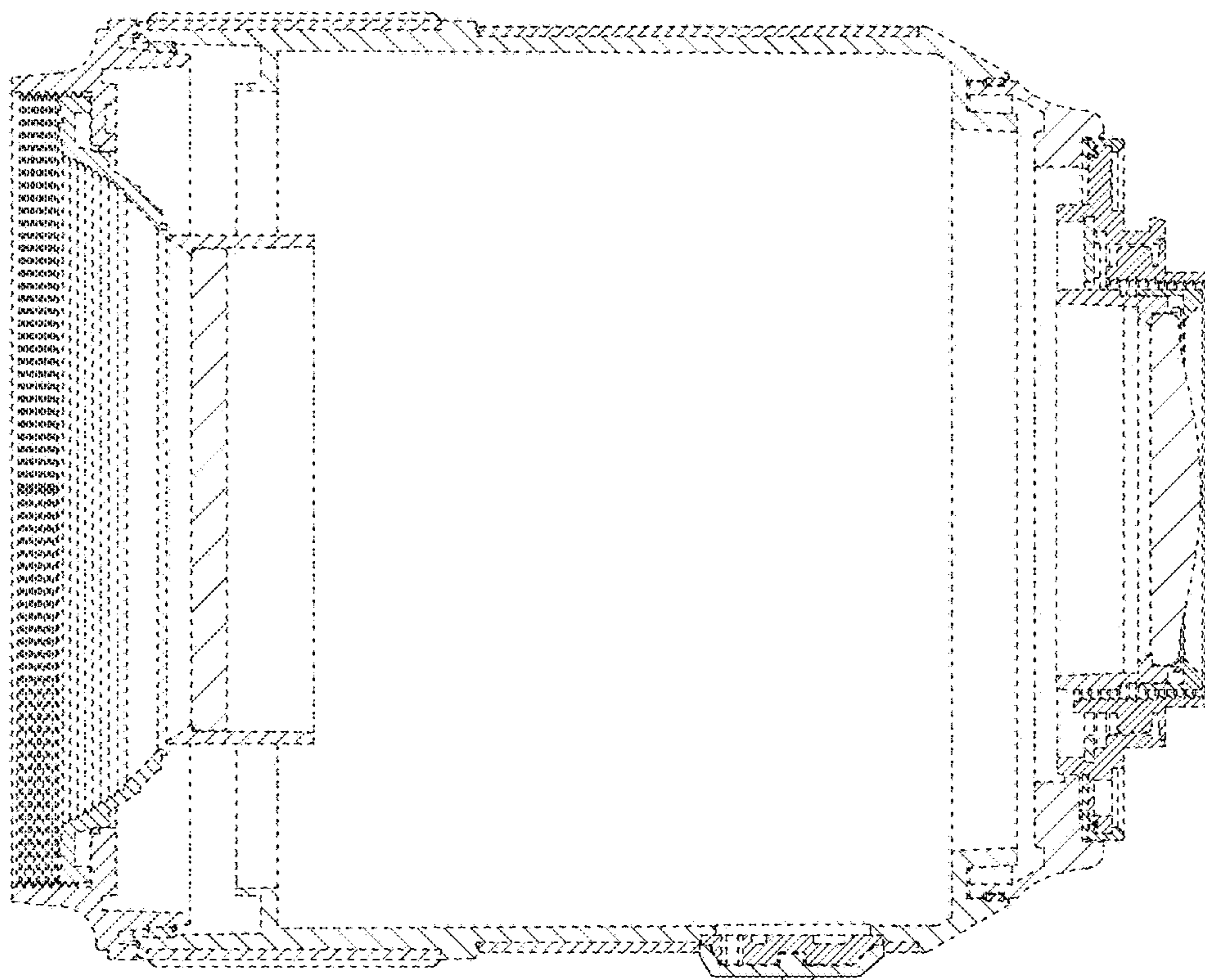


FIG. 21

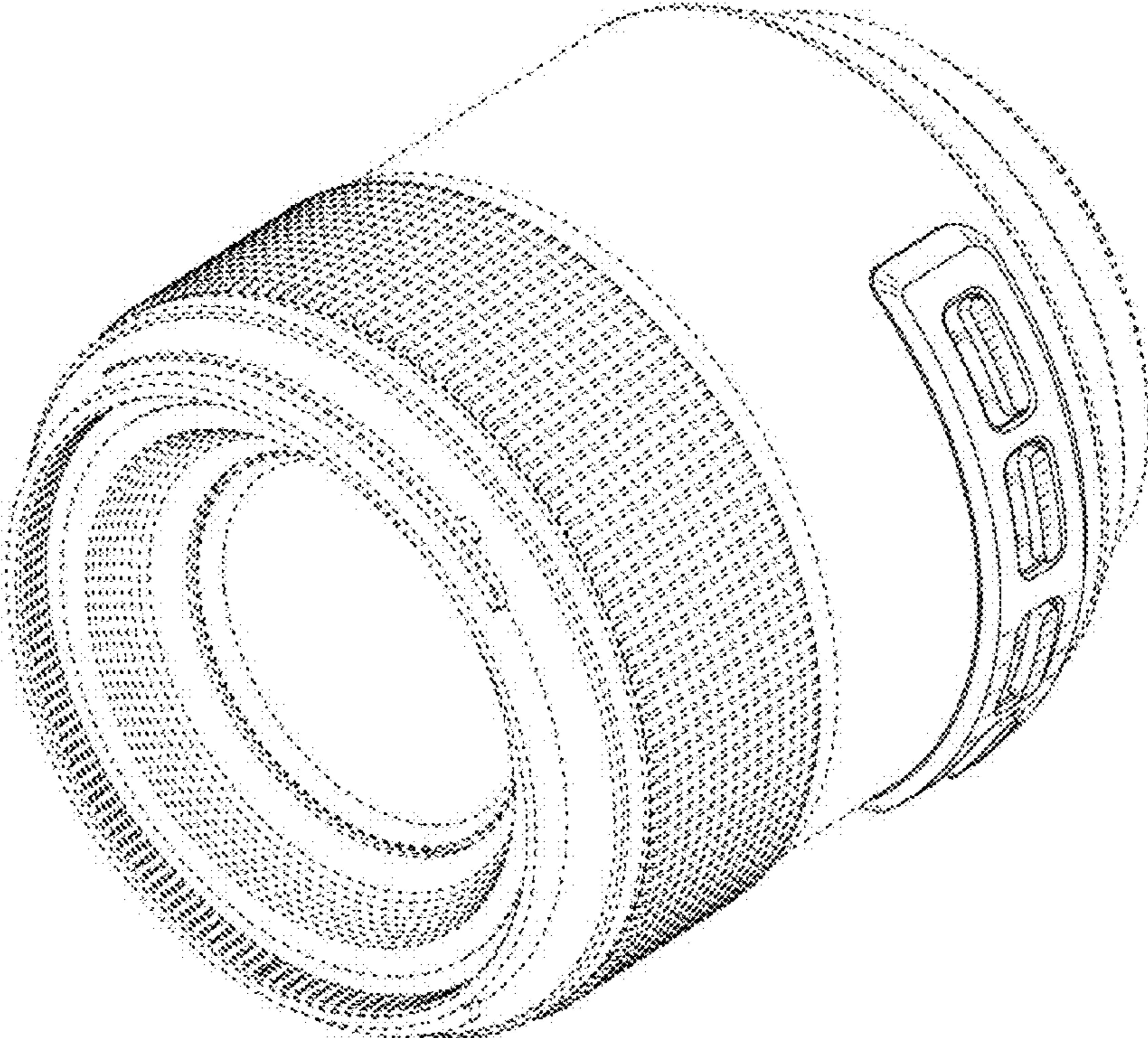


FIG. 22

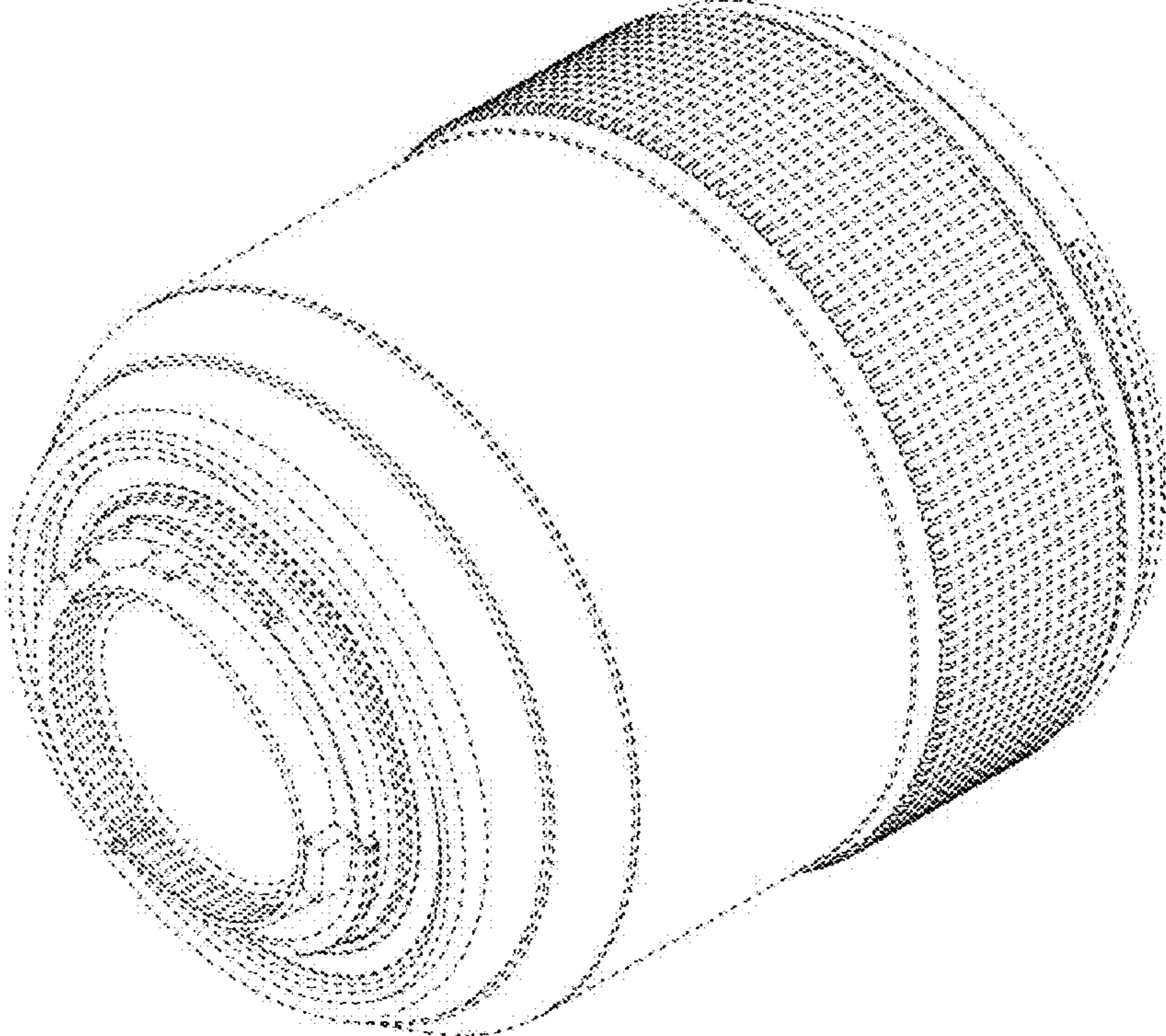


FIG. 23

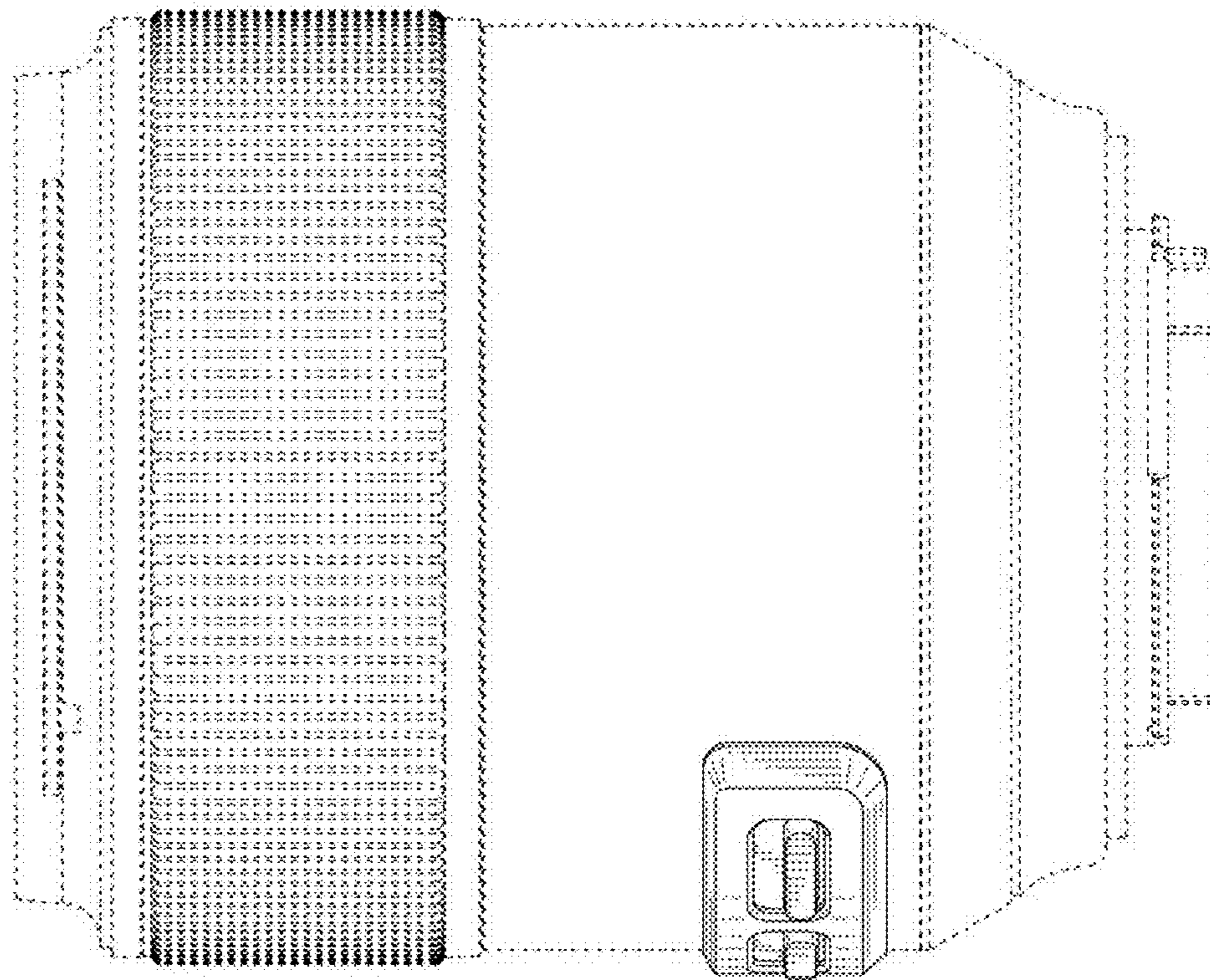


FIG. 24

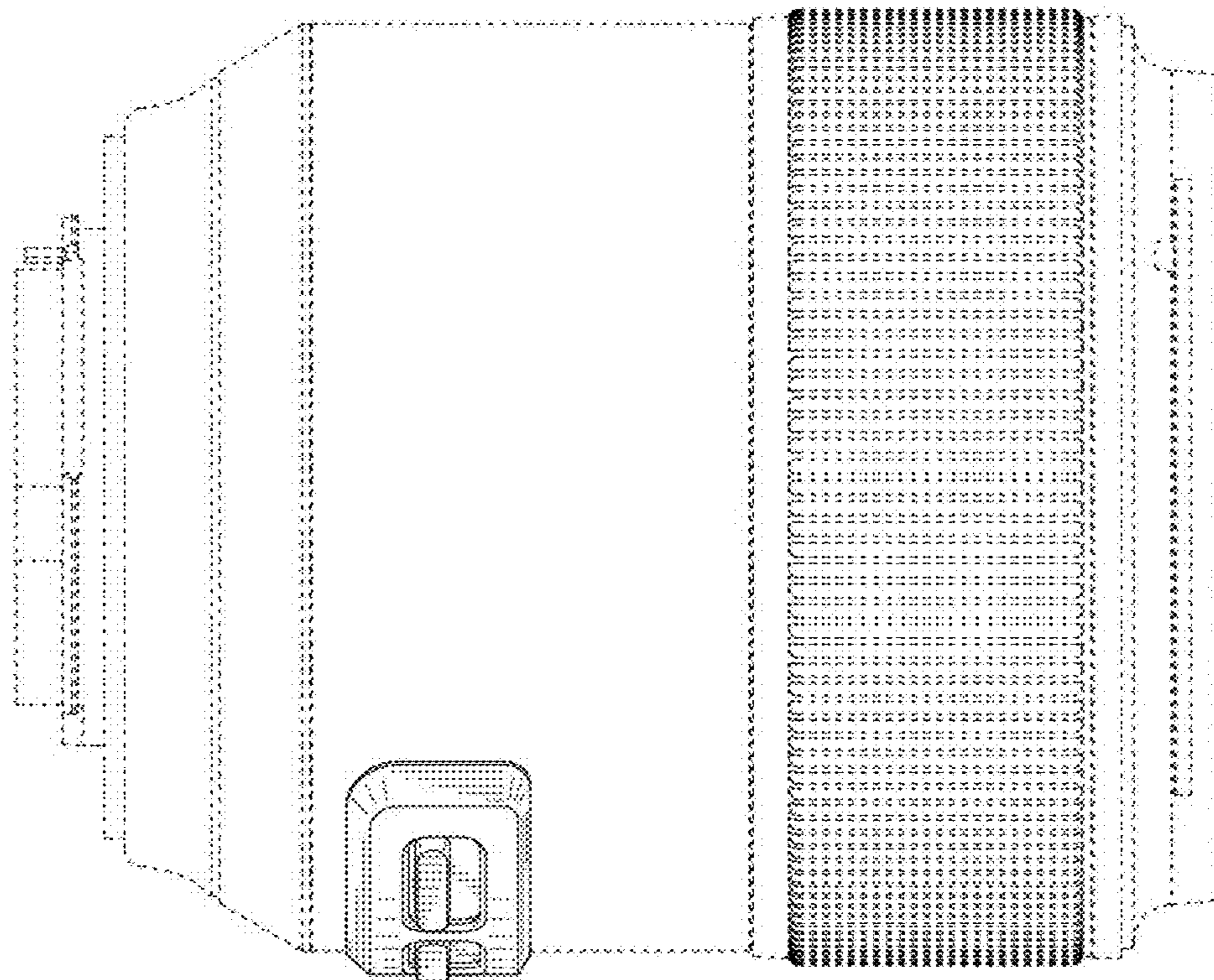


FIG. 25

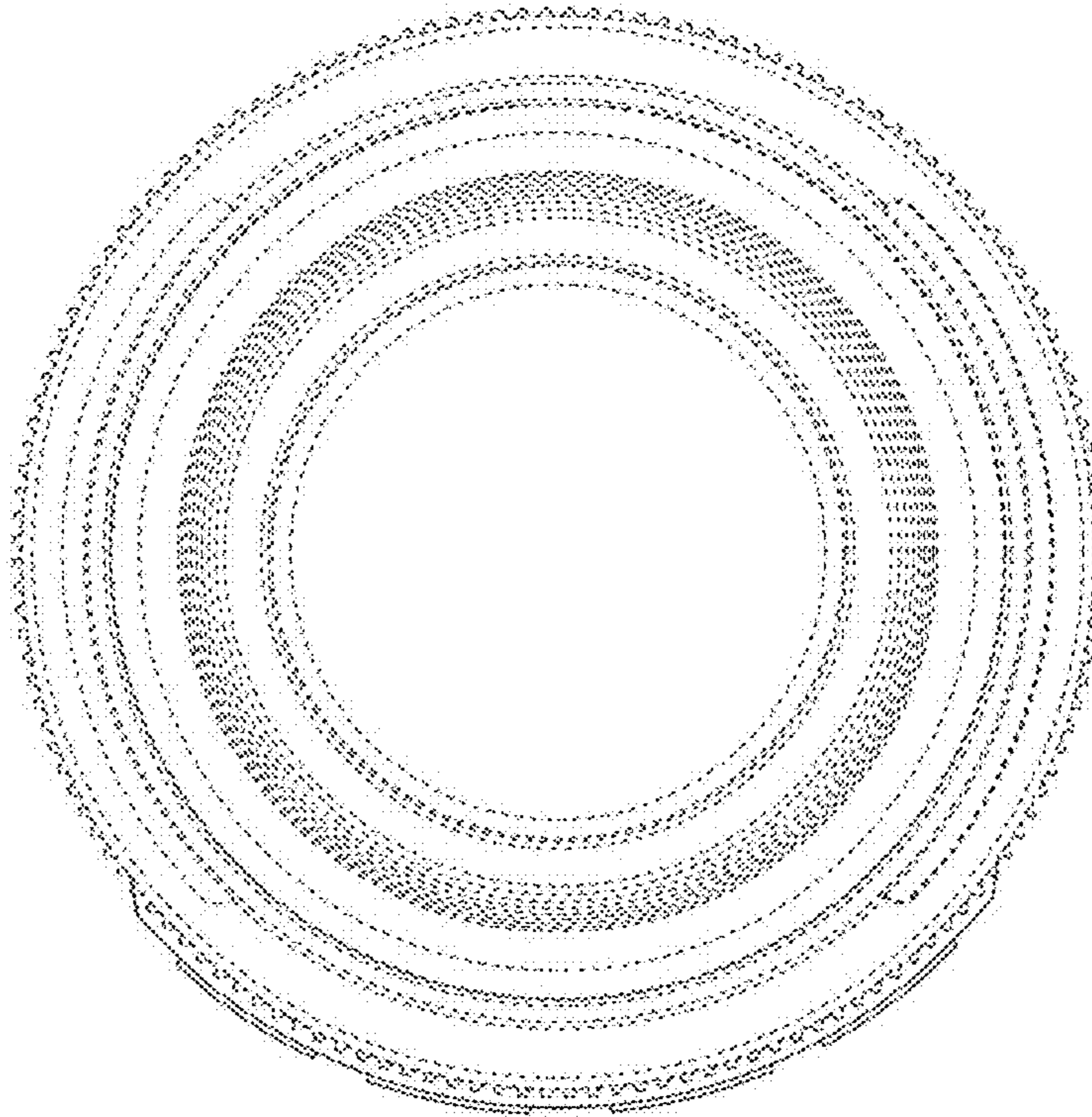


FIG. 26

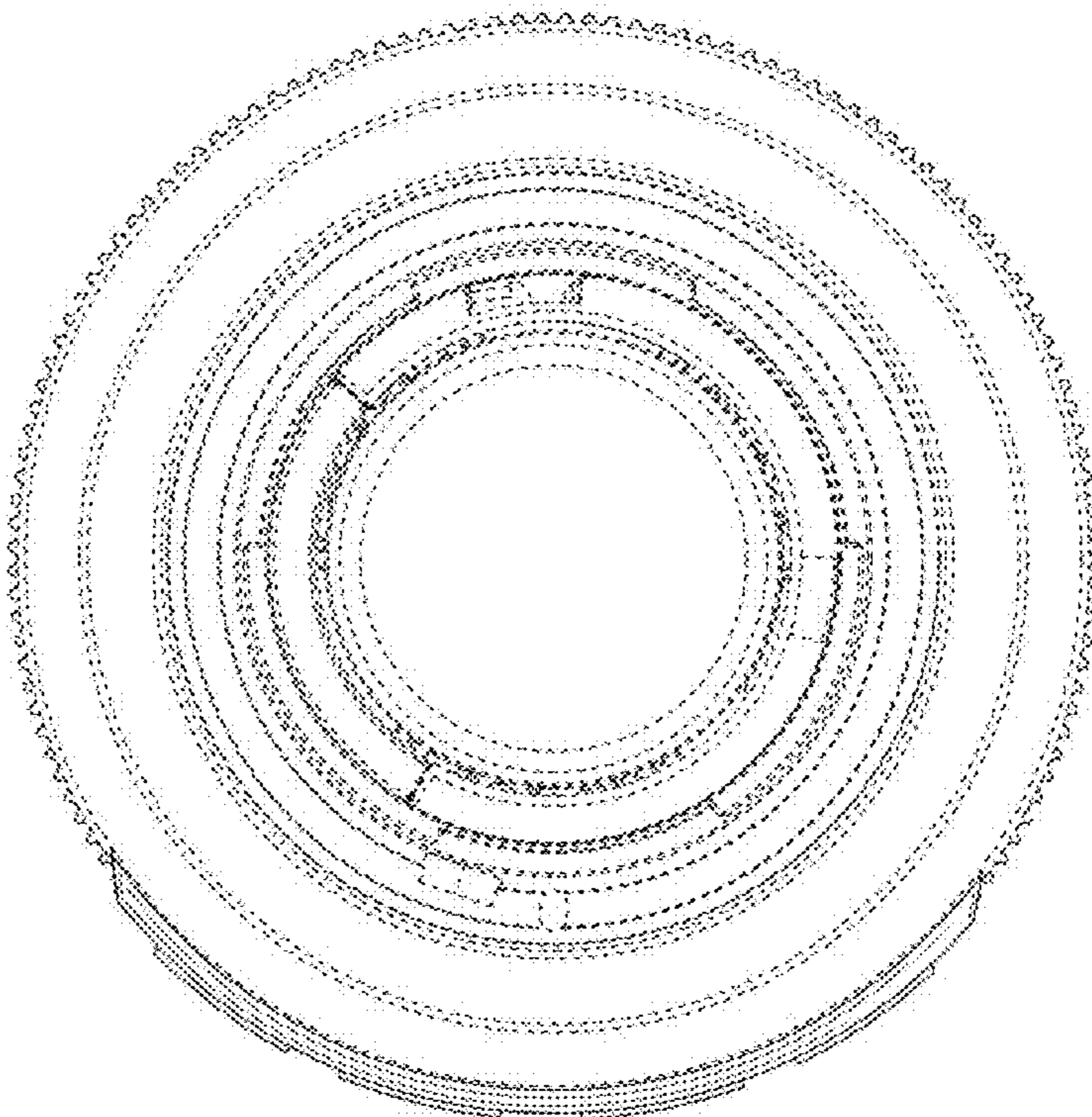


FIG. 27

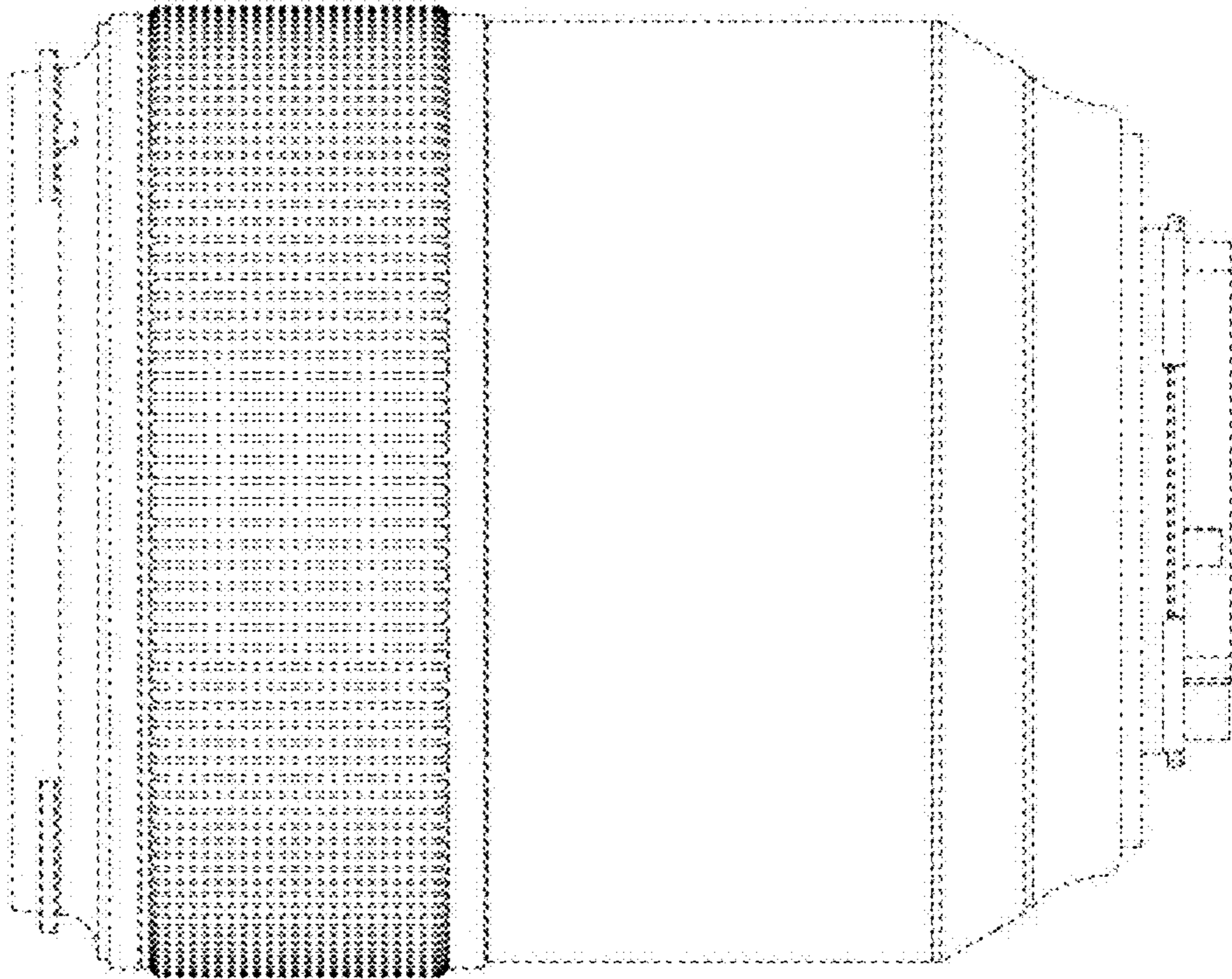


FIG. 28

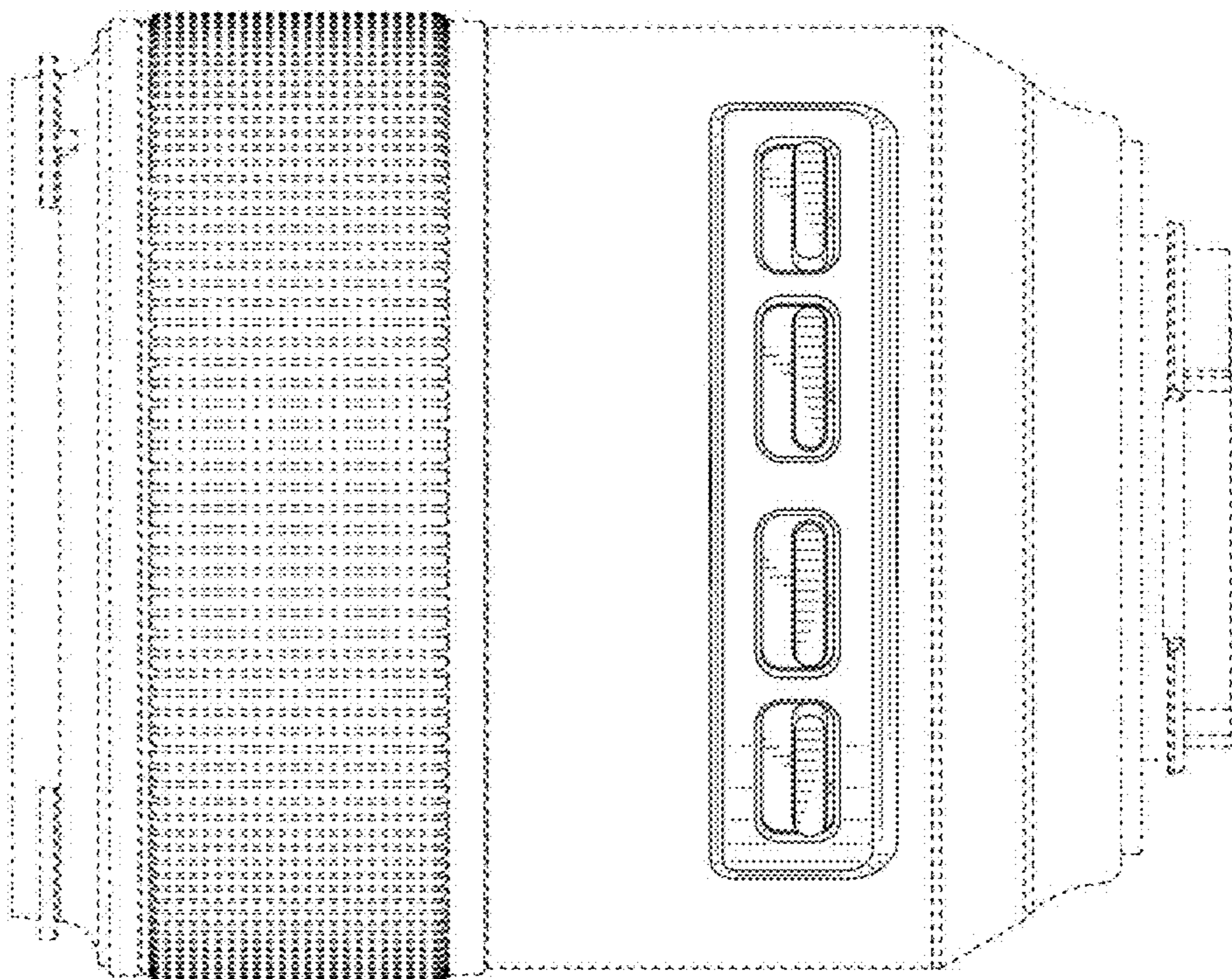




FIG. 29

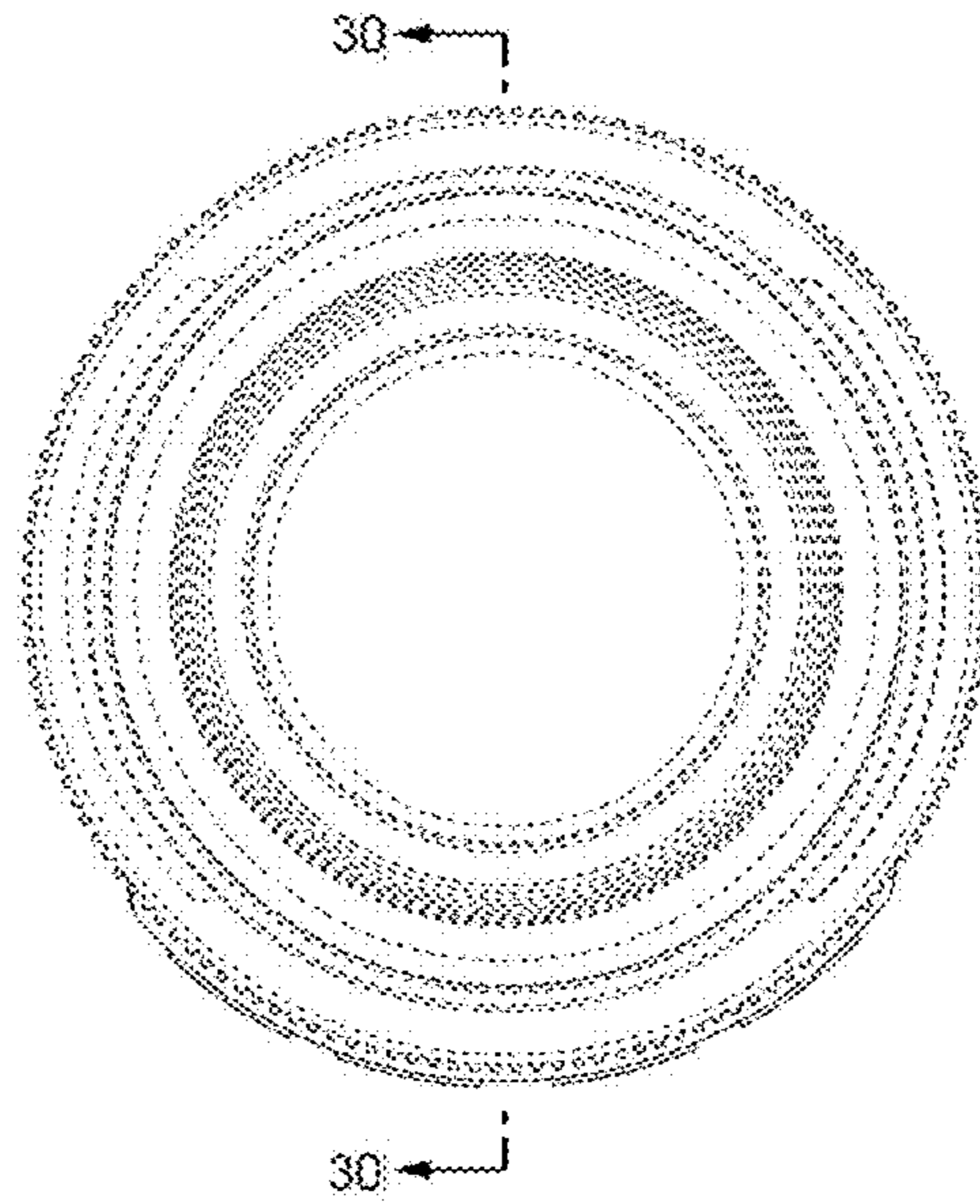


FIG. 30

