



US00D794106S

(12) **United States Design Patent**  
**Wang et al.**

(10) **Patent No.:** **US D794,106 S**  
(45) **Date of Patent:** **\*\* Aug. 8, 2017**

(54) **CAMERA**

13/19632; B60R 1/00; B60R 2300/105;  
F16M 11/04; F16M 13/00; Y02E 60/12  
See application file for complete search history.

(71) Applicant: **BEIJING IERMU TECHNOLOGY CO., LTD**, Beijing (CN)

(56) **References Cited**

(72) Inventors: **Xuesong Wang**, Beijing (CN); **Tunan Liu**, Beijing (CN); **Kang Xu**, Beijing (CN)

U.S. PATENT DOCUMENTS

(73) Assignee: **BEIJING IERMU TECHNOLOGY CO., LTD.**, Beijing (CN)

D246,443	S	*	11/1977	Ernest	.....	D10/106.5
D628,223	S	*	11/2010	Kao	.....	D16/202
D678,929	S	*	3/2013	Hancock	.....	D16/202
D728,654	S	*	5/2015	Lee	.....	D16/202
D730,966	S	*	6/2015	Liu	.....	D16/202
D740,871	S	*	10/2015	Moon	.....	D16/203
D741,931	S	*	10/2015	Huang	.....	D16/202
D745,587	S	*	12/2015	Leung	.....	D16/203
D757,835	S	*	5/2016	Tabuchi	.....	D16/203
D767,518	S	*	9/2016	Kim	.....	D14/130
2008/0056709	A1	*	3/2008	Huang	.....	G03B 37/02 396/427

(\*\*) Term: **15 Years**

(21) Appl. No.: **29/555,028**

(22) Filed: **Feb. 17, 2016**

OTHER PUBLICATIONS

(30) **Foreign Application Priority Data**

Iermu PTP, announced Mar. 1, 2016 [online], [site visited Mar. 1, 2017], Available from Internet, URL: <<http://product.suning.com/0000000000/162560516.html>>.\*

Aug. 26, 2015 (CN) ..... 2015 3 0324269

\* cited by examiner

(51) **LOC (10) Cl.** ..... **16-01**

*Primary Examiner* — Barbara Fox

(52) **U.S. Cl.**

*Assistant Examiner* — Mary C Ramirez

USPC ..... **D16/203**

(58) **Field of Classification Search**

(57) **CLAIM**

USPC ..... D16/200–220, 242; D26/24, 36, 72, 79,  
D26/123; D11/146; D10/104.1, 104.2,  
D10/106.1, 106.2, 106.5; D9/544, 558;  
D7/610; D23/223, 229, 255

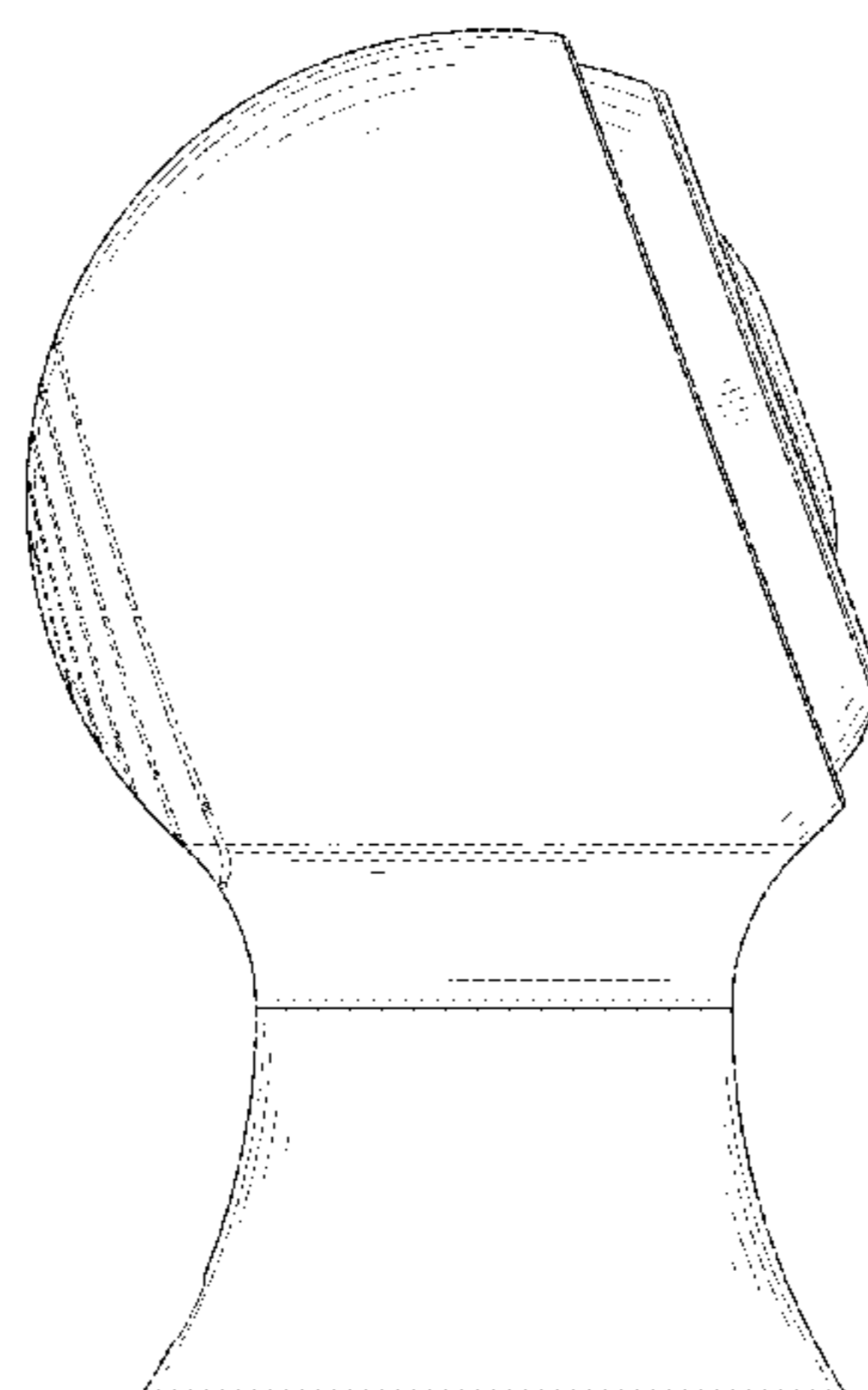
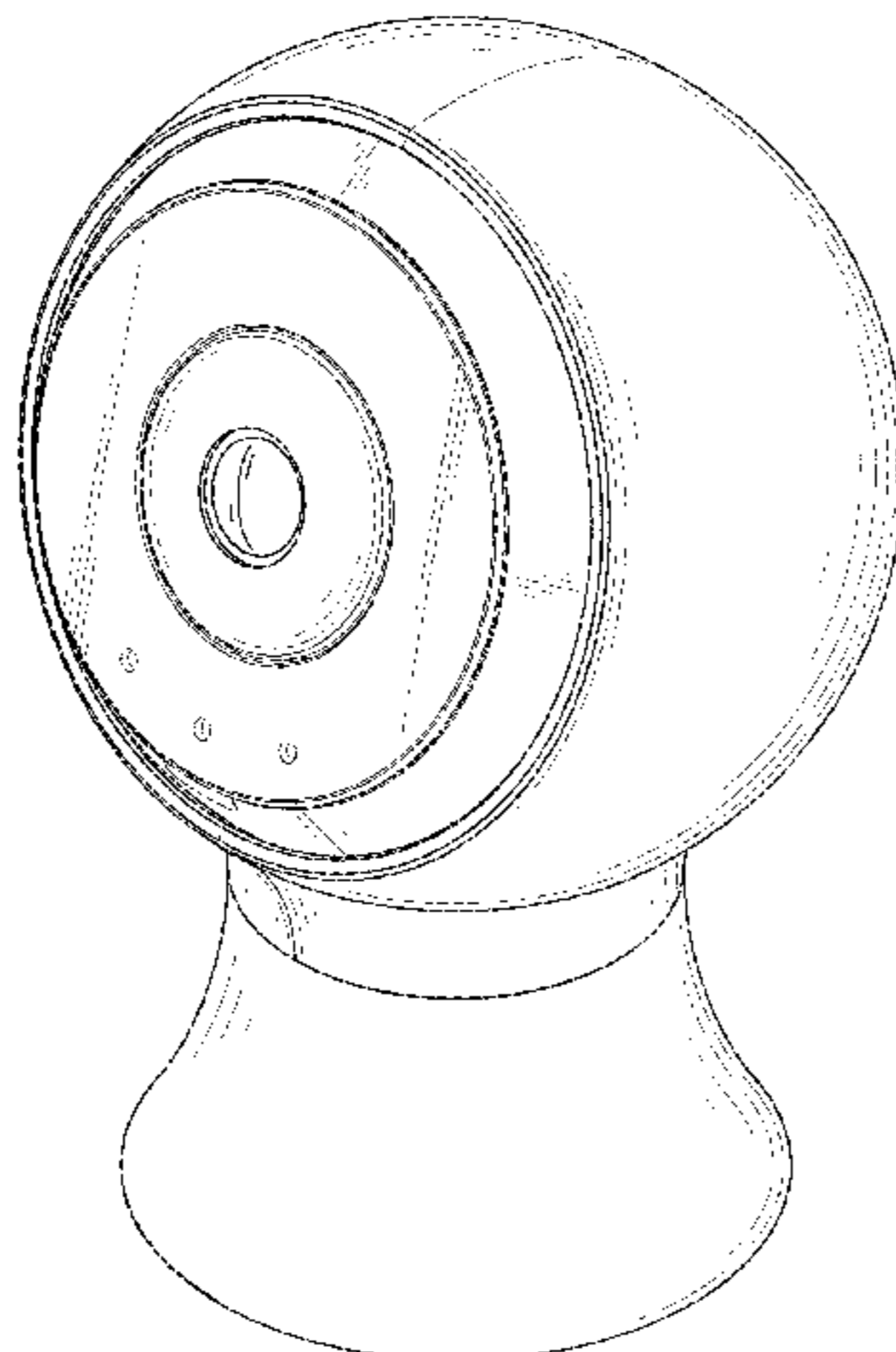
The ornamental design for a camera, as shown and described.

CPC .. H04N 3/08; H04N 5/23248; H04N 5/23287;  
H04N 5/23258; H04N 5/2251; H04N  
5/2252; H04N 7/181; H04N 7/183; H04N  
7/18; H04N 2007/145; G01C 11/025;  
G03B 15/00; G03B 15/03; G03B 17/56;  
G03B 17/02; G03B 17/30; G03B 17/04;  
G03B 17/00; G03B 19/04; G03B 3/00;  
G08B 13/19619; G08B 13/1963; G08B

**DESCRIPTION**

FIG. 1 is a first perspective view of a camera showing our new design;  
FIG. 2 is a second perspective view thereof;  
FIG. 3 is a front elevational view thereof;  
FIG. 4 is a rear elevational view thereof;  
FIG. 5 is a left side view thereof;  
FIG. 6 is a right side view thereof;  
FIG. 7 is a top plan view thereof; and,  
FIG. 8 is a bottom plan view thereof.

(Continued)



The broken lines shown in the drawings illustrate portions of the camera that form no part of the claimed design.

**1 Claim, 8 Drawing Sheets**

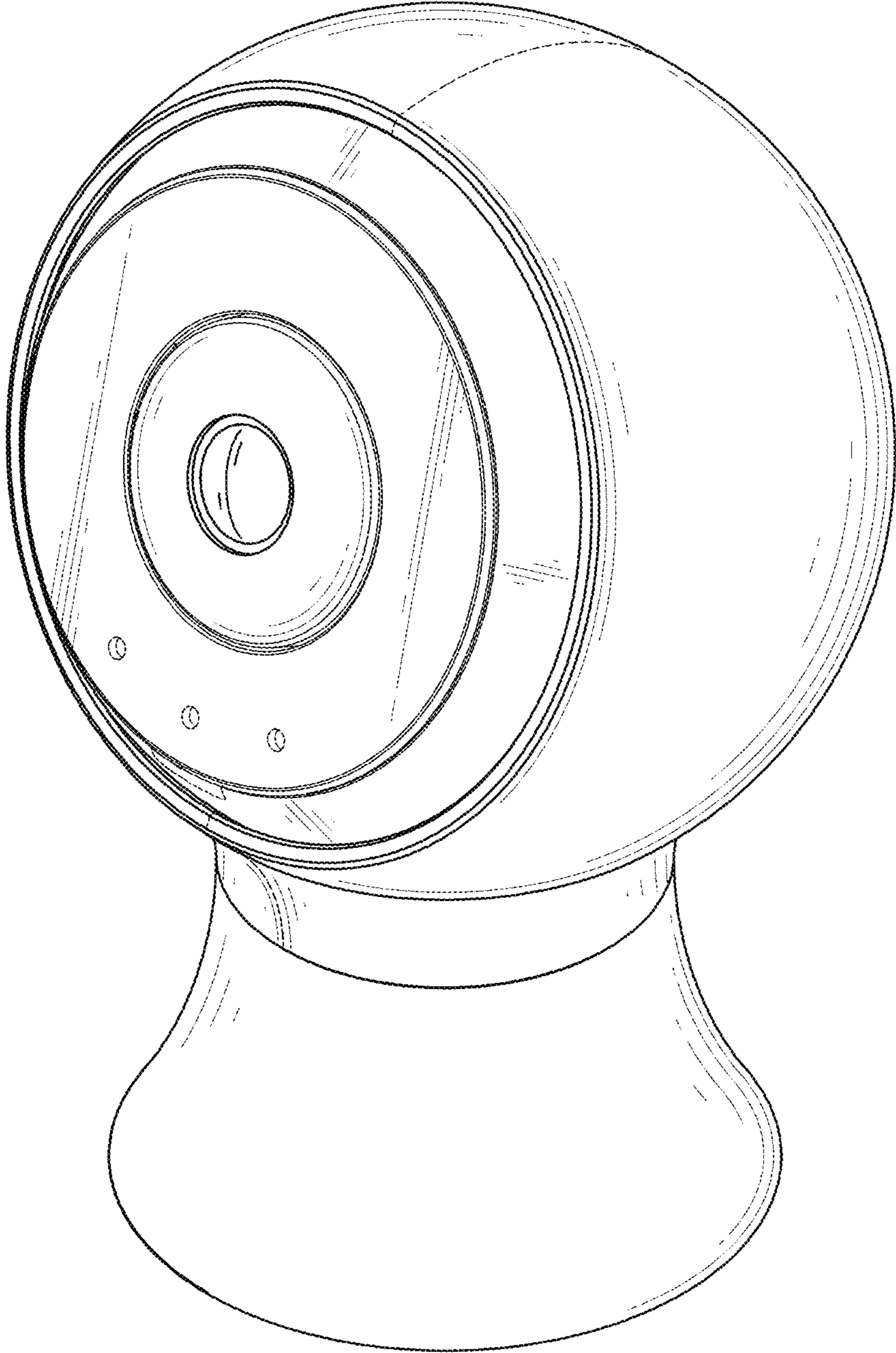


FIG. 1

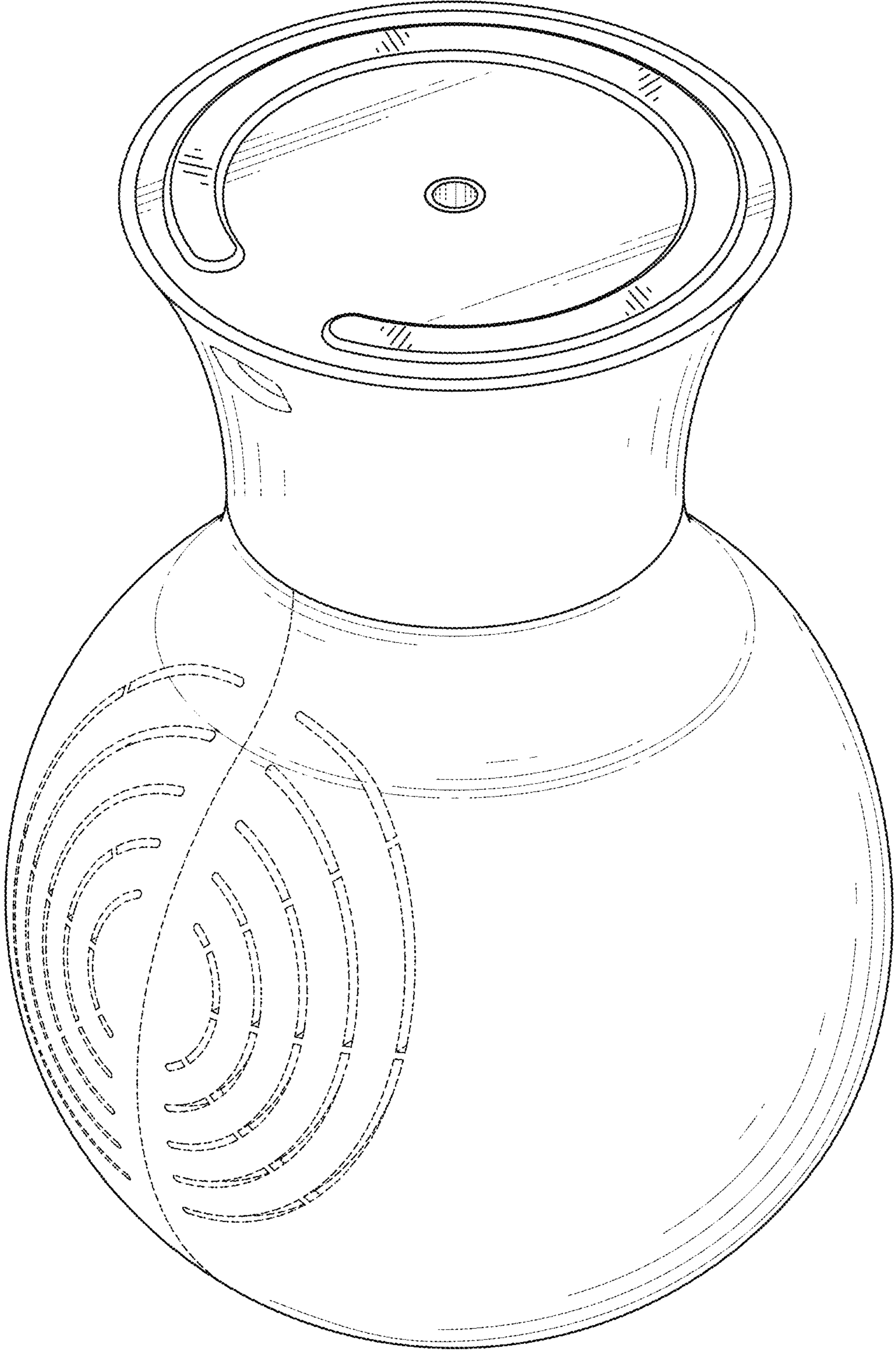


FIG. 2



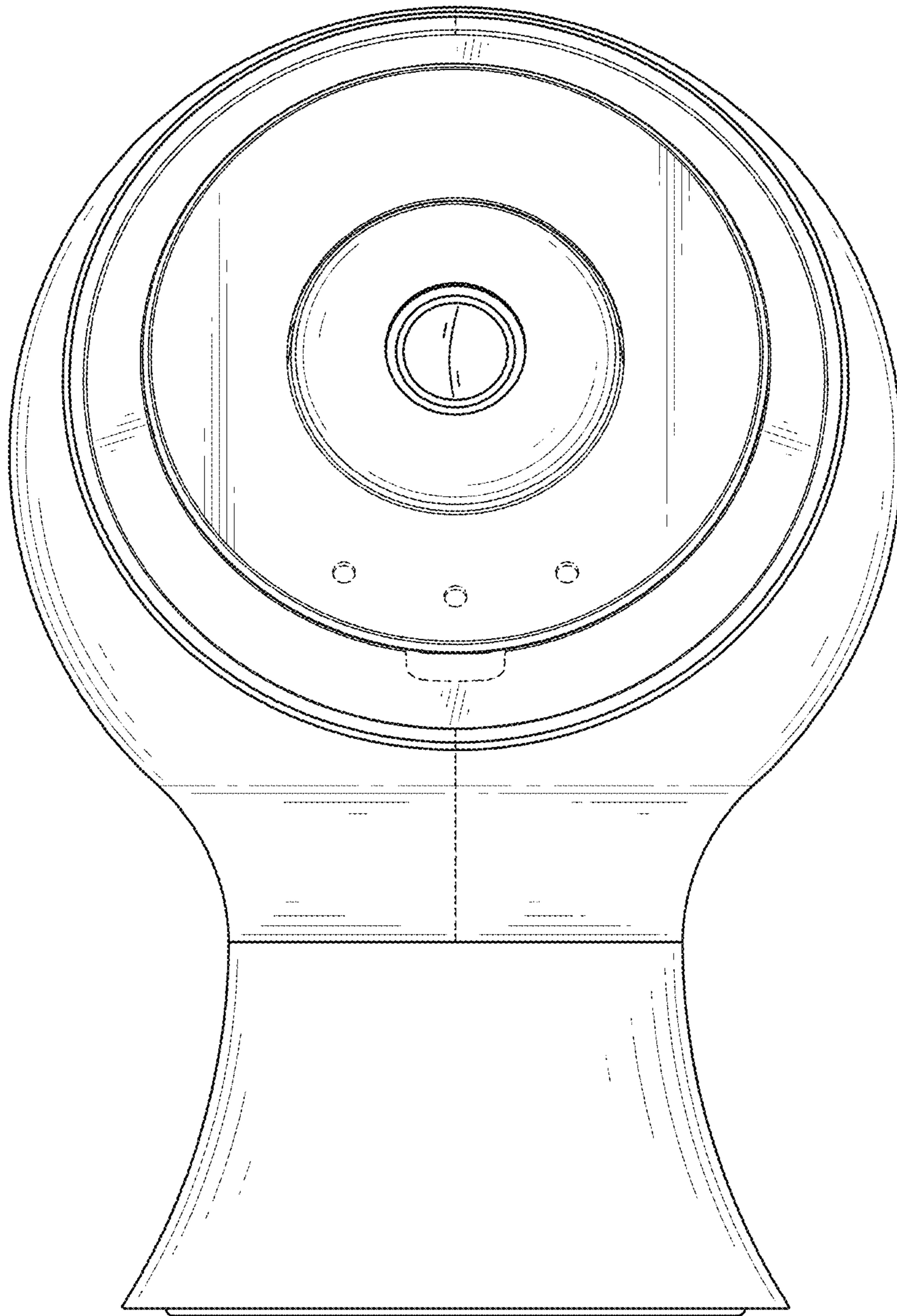


FIG. 3

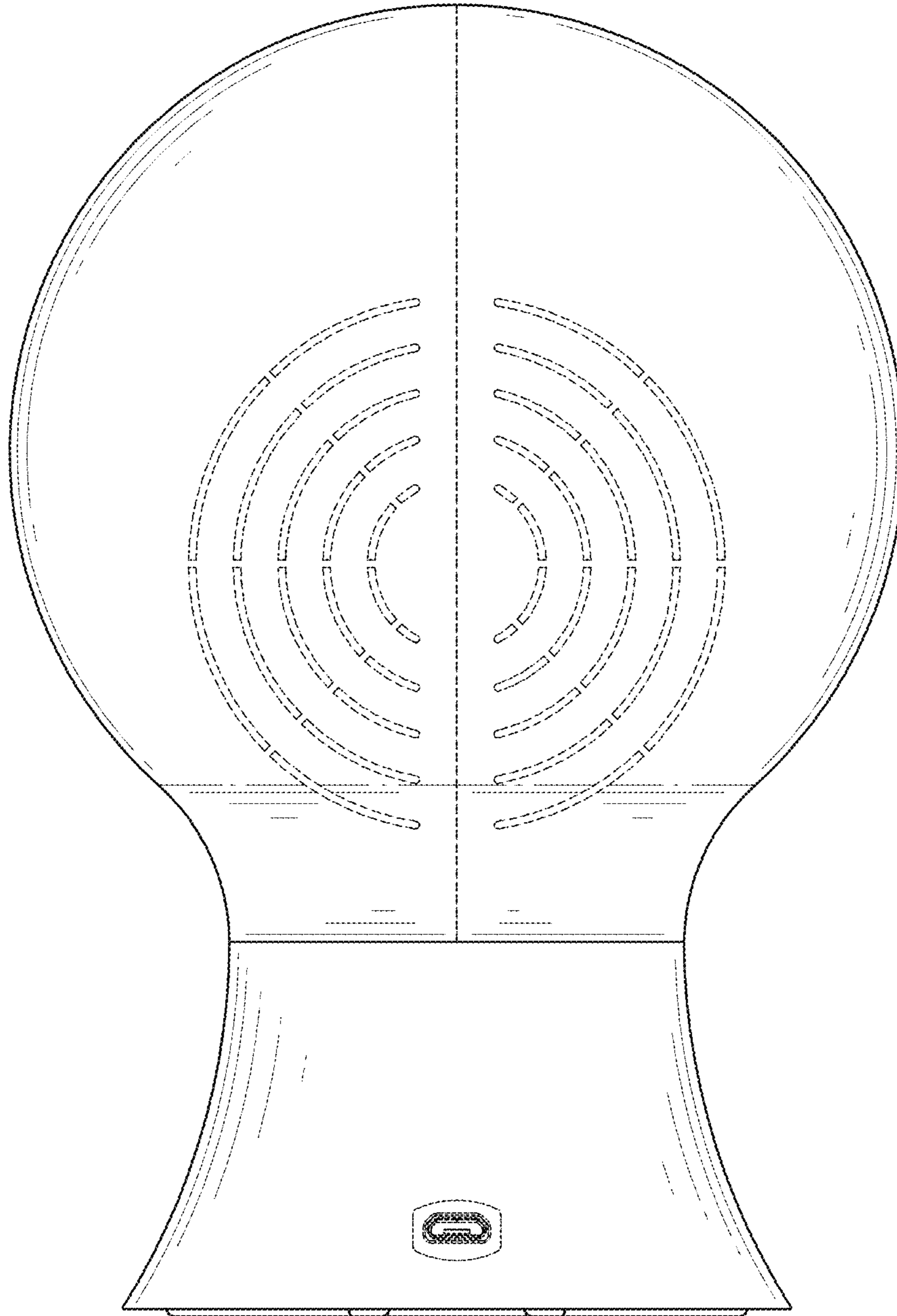


FIG. 4

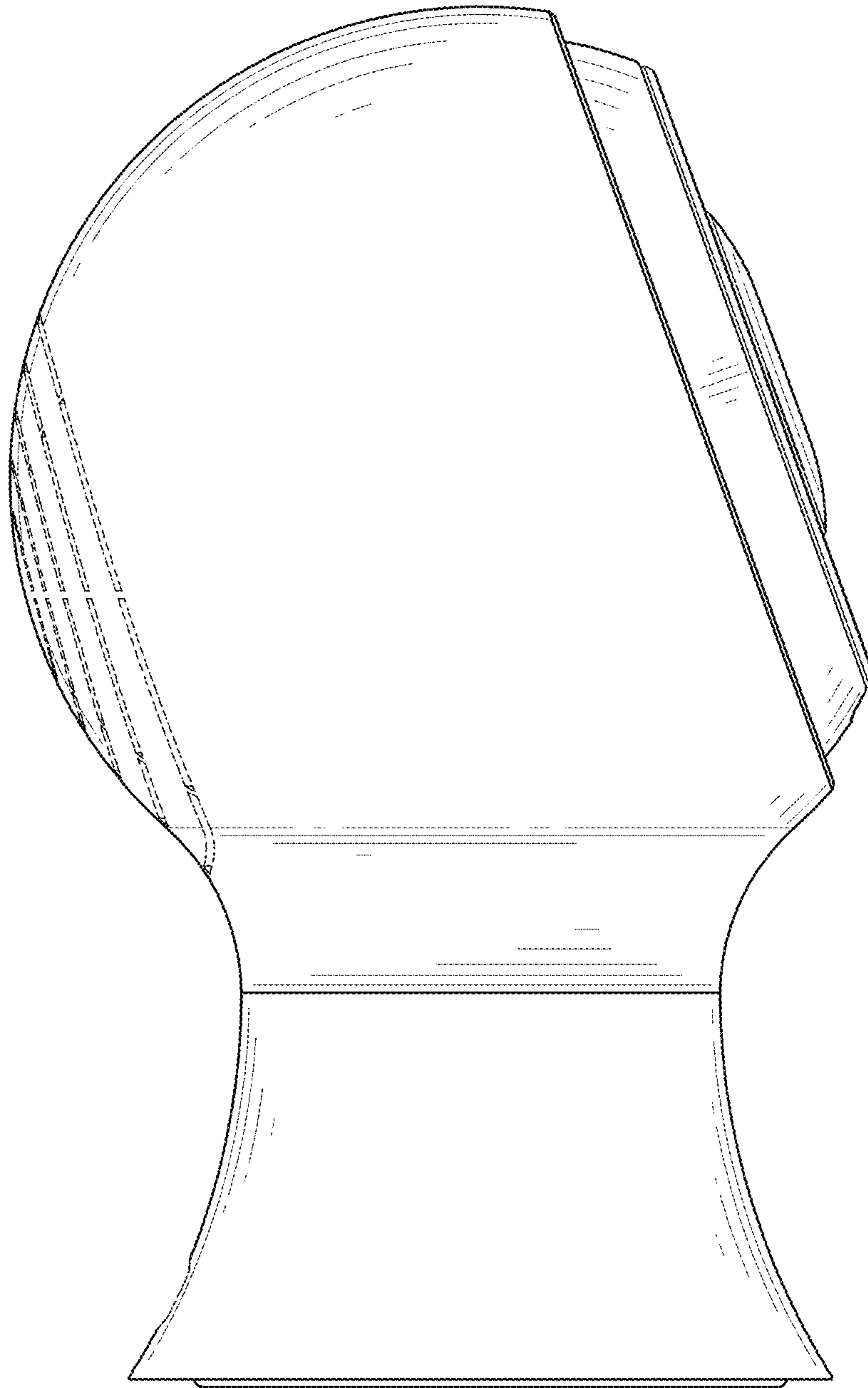


FIG. 5

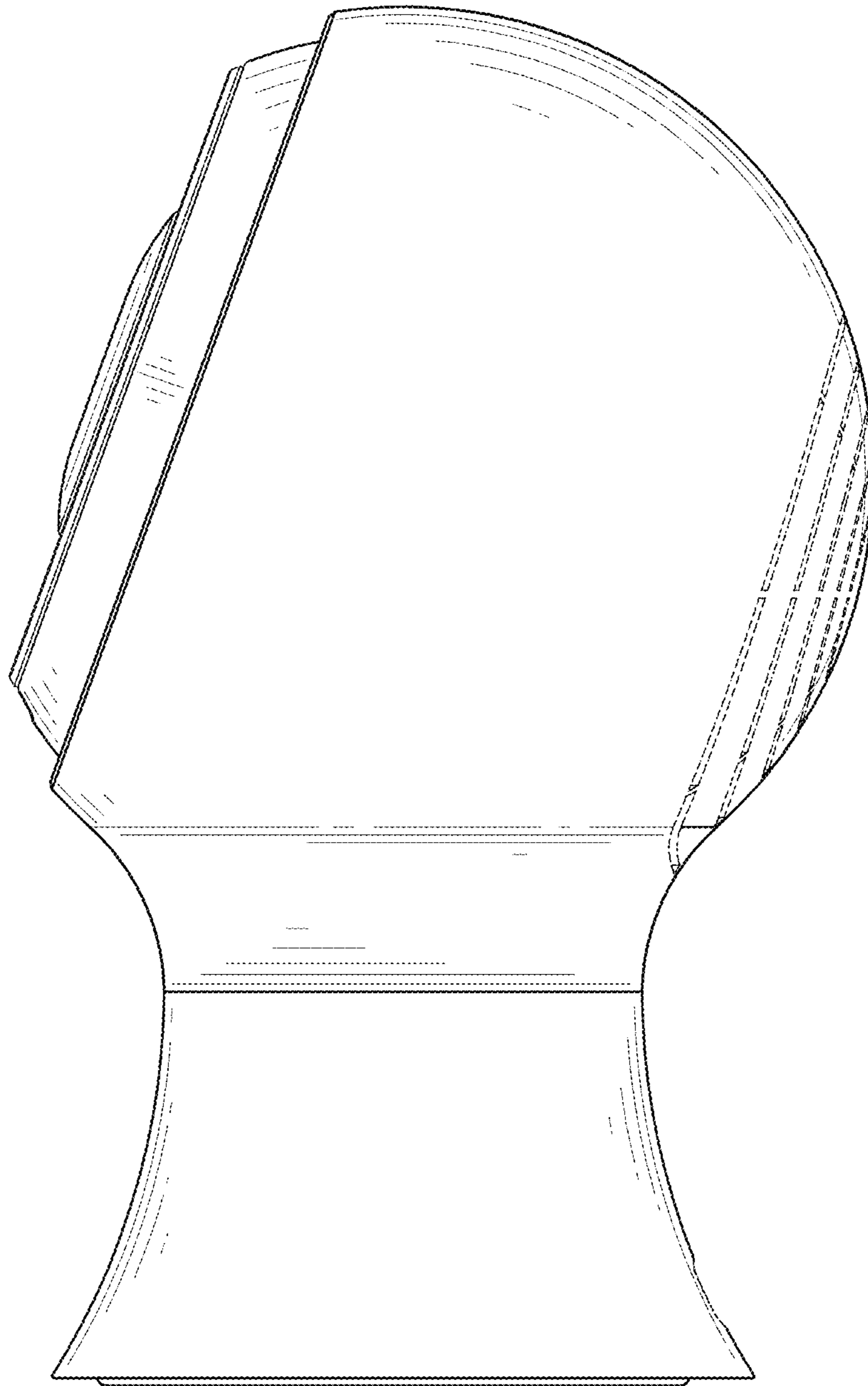


FIG. 6



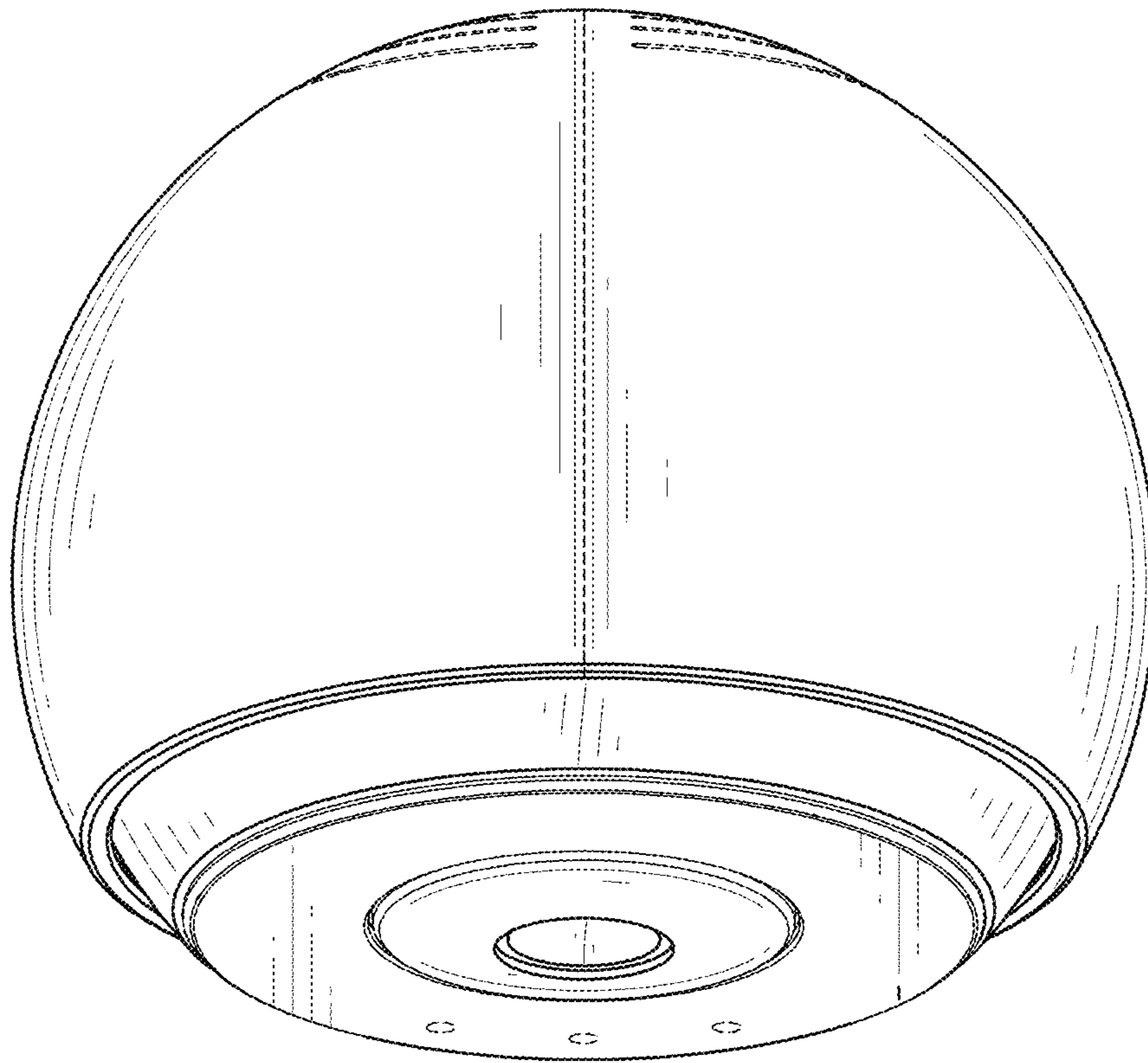


FIG. 7

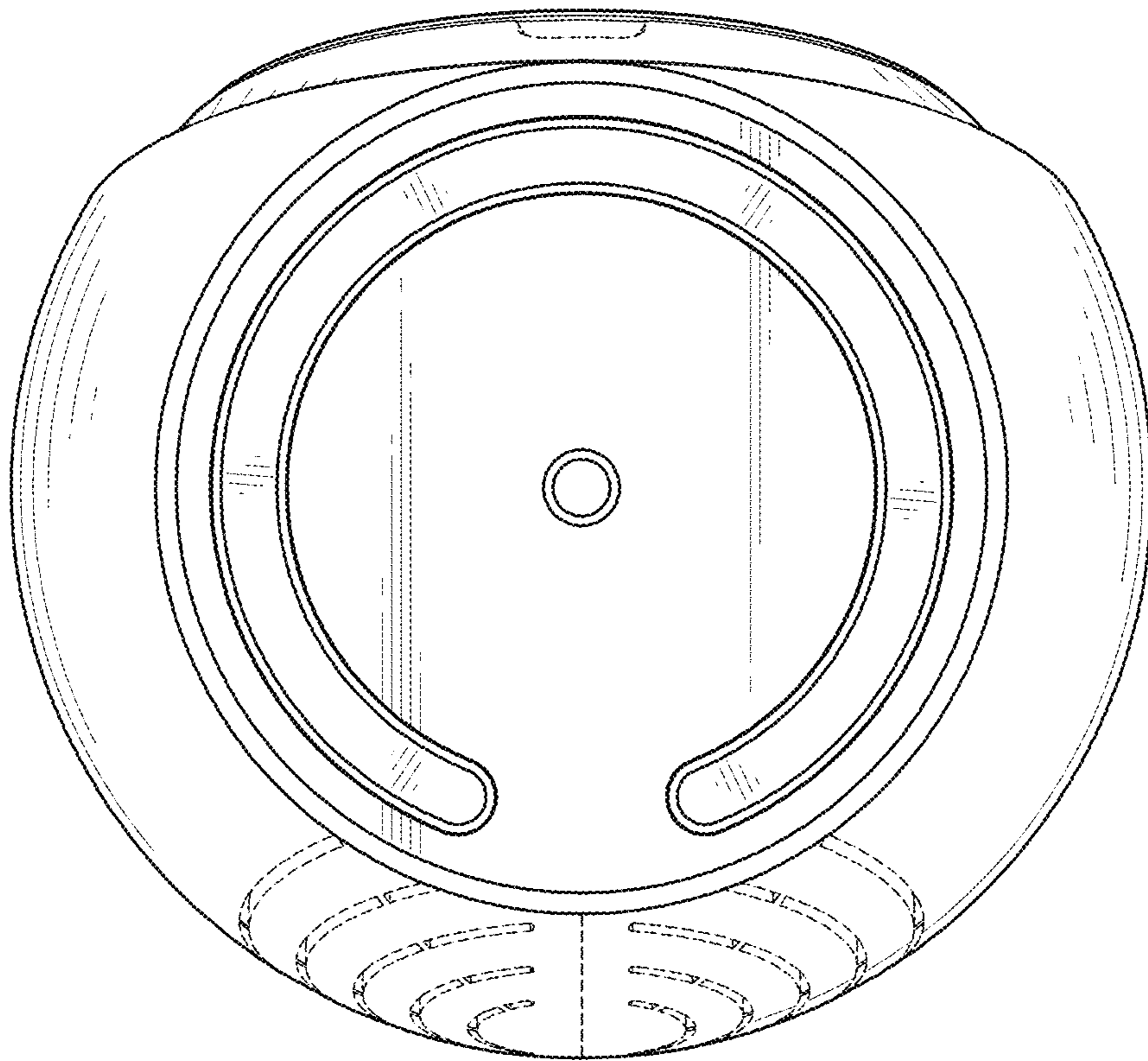


FIG. 8