



US00D794104S

(12) **United States Design Patent**
Zou

(10) **Patent No.:** **US D794,104 S**
(45) **Date of Patent:** **** Aug. 8, 2017**

- (54) **CONNECTOR FOR AGRICULTURAL MACHINES**
- (71) Applicant: **Dongguan Finecables Co., Ltd.**,
Guangdong Province (CN)
- (72) Inventor: **Jiusheng Zou**, Guangdong Province
(CN)
- (**) Term: **15 Years**
- (21) Appl. No.: **29/532,259**
- (22) Filed: **Jul. 3, 2015**
- (51) **LOC (10) Cl.** **13-03**
- (52) **U.S. Cl.**
USPC **D15/146; D13/147**
- (58) **Field of Classification Search**
USPC D15/28, 17; D13/133, 147, 146, 154,
D13/184, 107, 108, 118, 119, 199;
D23/226; 320/104, 107-115, FOR. 104,
320/DIG. 35, FOR. 119
CPC H01R 13/62; H01R 13/79; H01R 13/627;
H01R 13/27; H01R 13/28; H01R 9/24;
F16B 7/00; H02G 3/00; H02G 3/02;
H02G 3/06; H02G 3/18
See application file for complete search history.

- (56) **References Cited**
U.S. PATENT DOCUMENTS
D229,187 S * 11/1973 Vrabel D13/130
4,630,847 A * 12/1986 Blenkush F16L 37/56
285/242
4,795,360 A * 1/1989 Newman H01R 13/5221
439/277
D505,390 S * 5/2005 Lee D13/133
D511,747 S * 11/2005 Rey D13/146
D523,812 S * 6/2006 Brodin D13/146
D527,346 S * 8/2006 Brodin D13/146

- D532,752 S * 11/2006 McCord D13/158
- D559,785 S * 1/2008 Tosetti A61C 1/18
D13/133
- D585,837 S * 2/2009 Kuehne D13/146
- 7,874,860 B2 * 1/2011 Starke H01R 13/622
439/216
- D649,939 S * 12/2011 Erickson D13/147
- D667,793 S * 9/2012 Yamamoto D13/133
- D669,033 S * 10/2012 Senk D13/133
- D697,869 S * 1/2014 Yamamoto D13/146
- D700,143 S * 2/2014 Ichio D13/120
- D707,179 S * 6/2014 Smith D13/146
- D709,834 S * 7/2014 Liu D13/151
- D715,227 S * 10/2014 Leem D13/146
- D716,233 S * 10/2014 Lai D13/146
- D720,698 S * 1/2015 Zerebilov D13/147

* cited by examiner

Primary Examiner — Mark Goodwin
(74) *Attorney, Agent, or Firm* — Prakash Nama; Global IP Services, PLLC

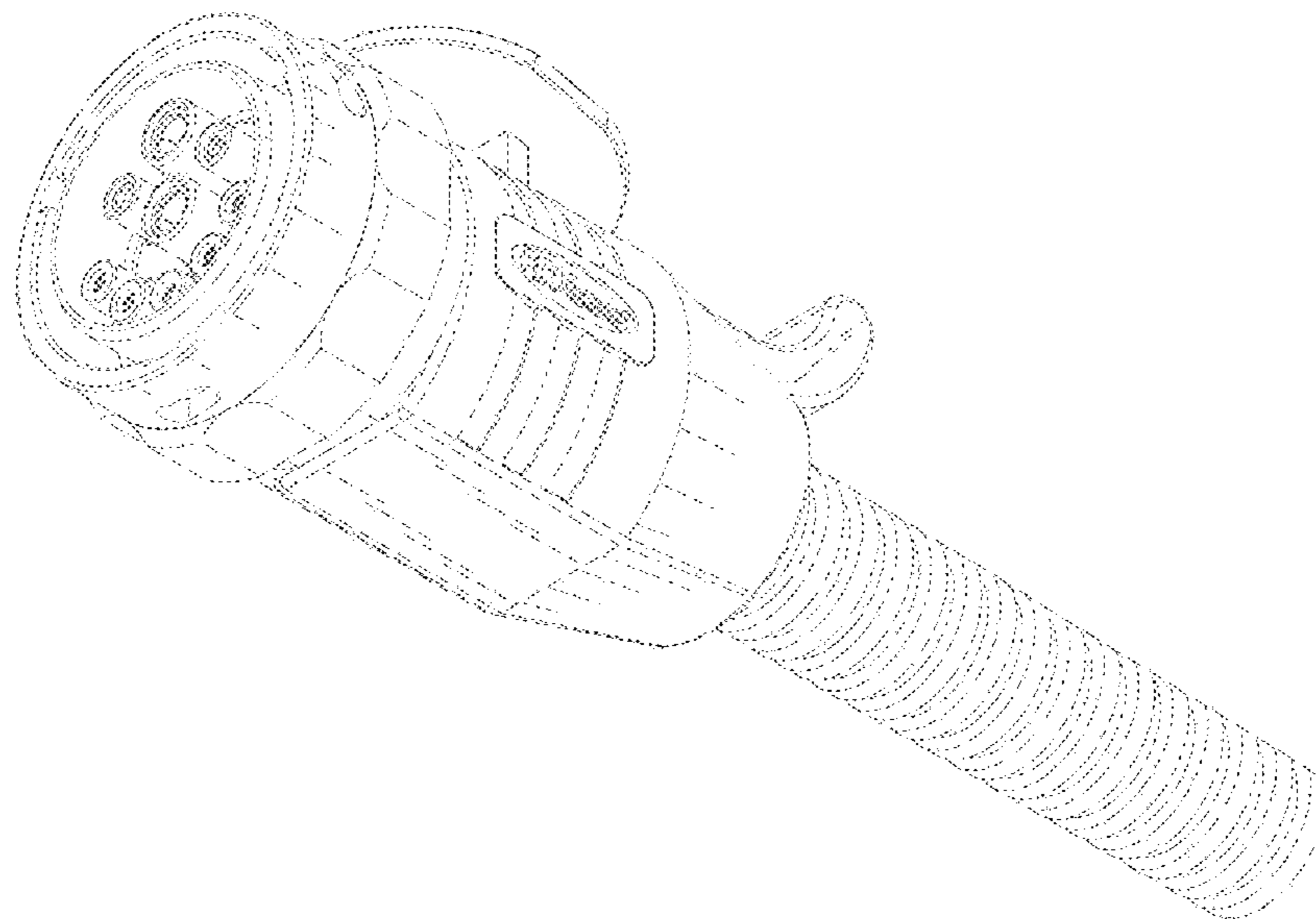
(57) **CLAIM**

The ornamental design for a connector for agricultural machines, as shown and described.

DESCRIPTION

FIG. 1 is a front elevational view of a connector for agricultural machines showing my new design;
FIG. 2 is a rear elevational view thereof;
FIG. 3 is a left side view thereof;
FIG. 4 is a right side view thereof;
FIG. 5 is a top plan view thereof;
FIG. 6 is a bottom plan view thereof;
FIG. 7 is a perspective view thereof; and,
FIG. 8 is another perspective view thereof.
The trademark material "FINECABLES" forming part of the claimed design is a registered trademark owned by FINECABLES INC.

1 Claim, 4 Drawing Sheets



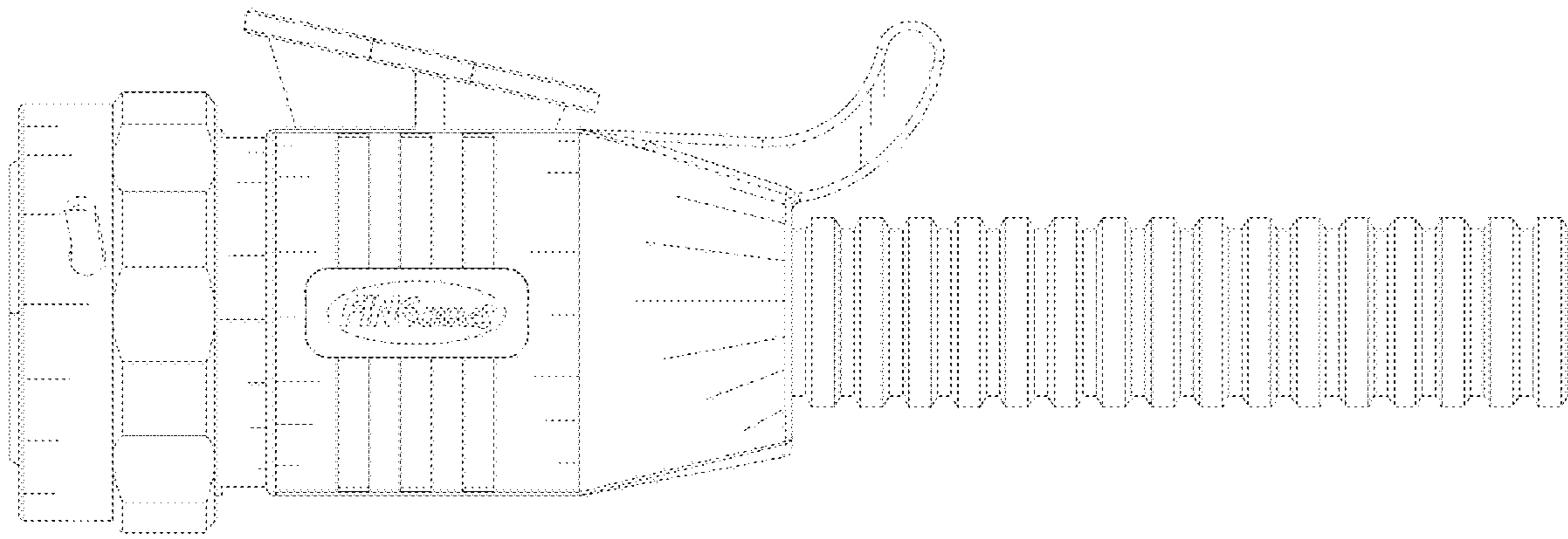


FIG. 1

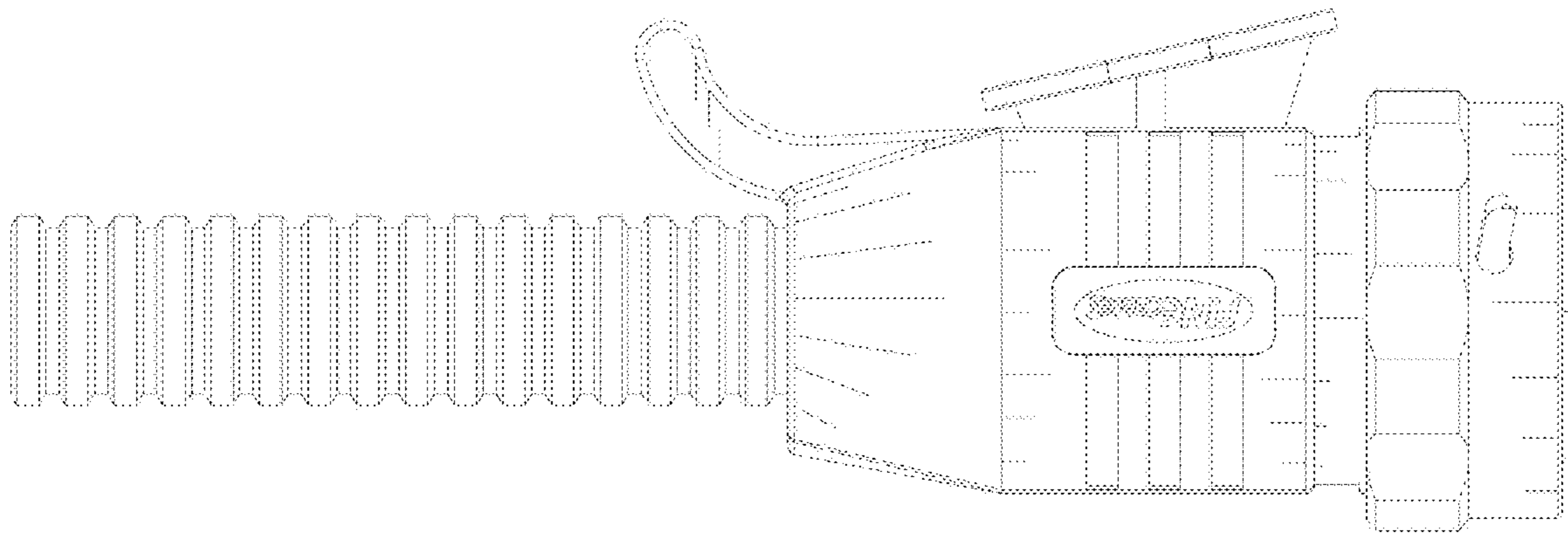


FIG. 2

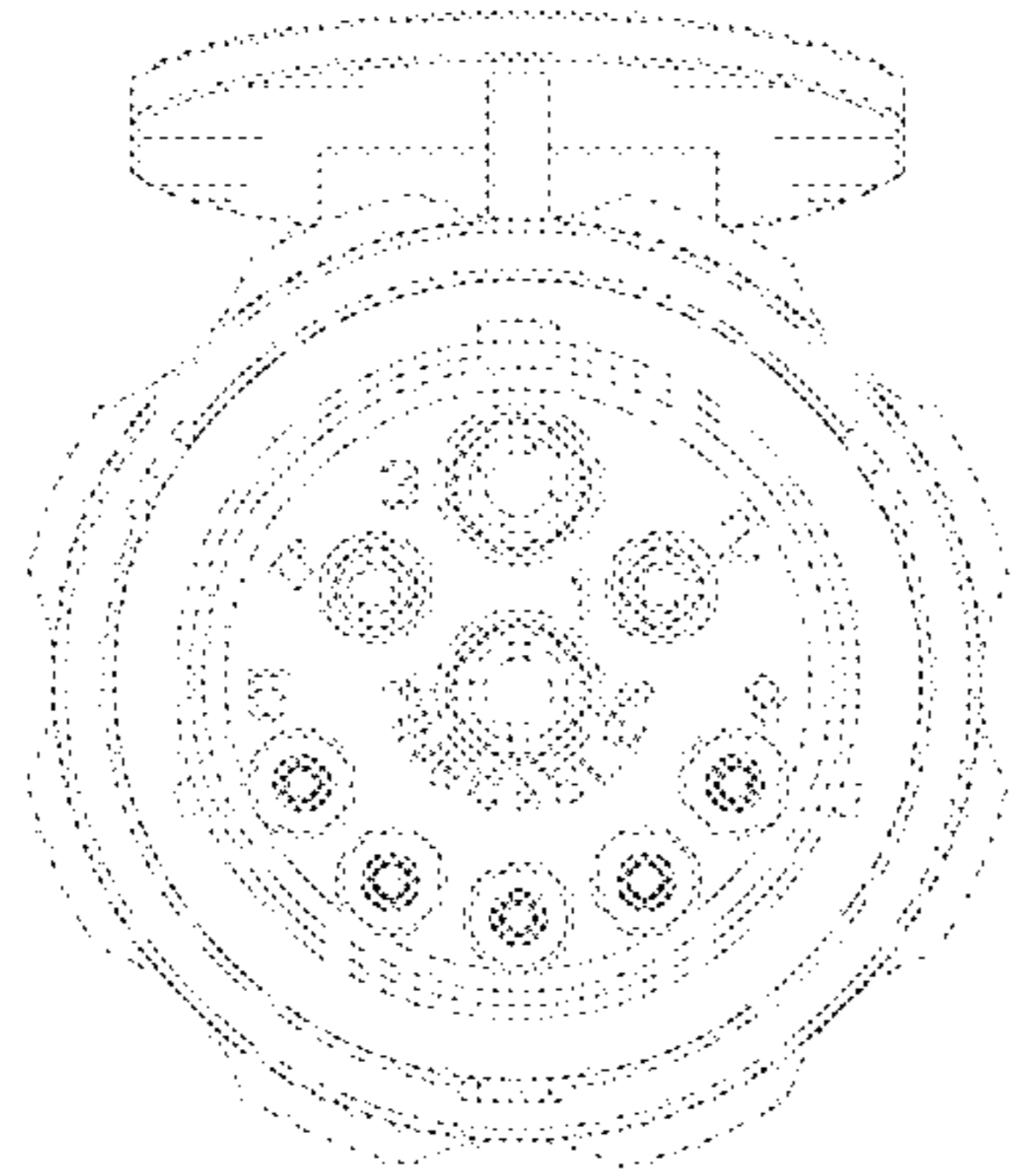


FIG. 3

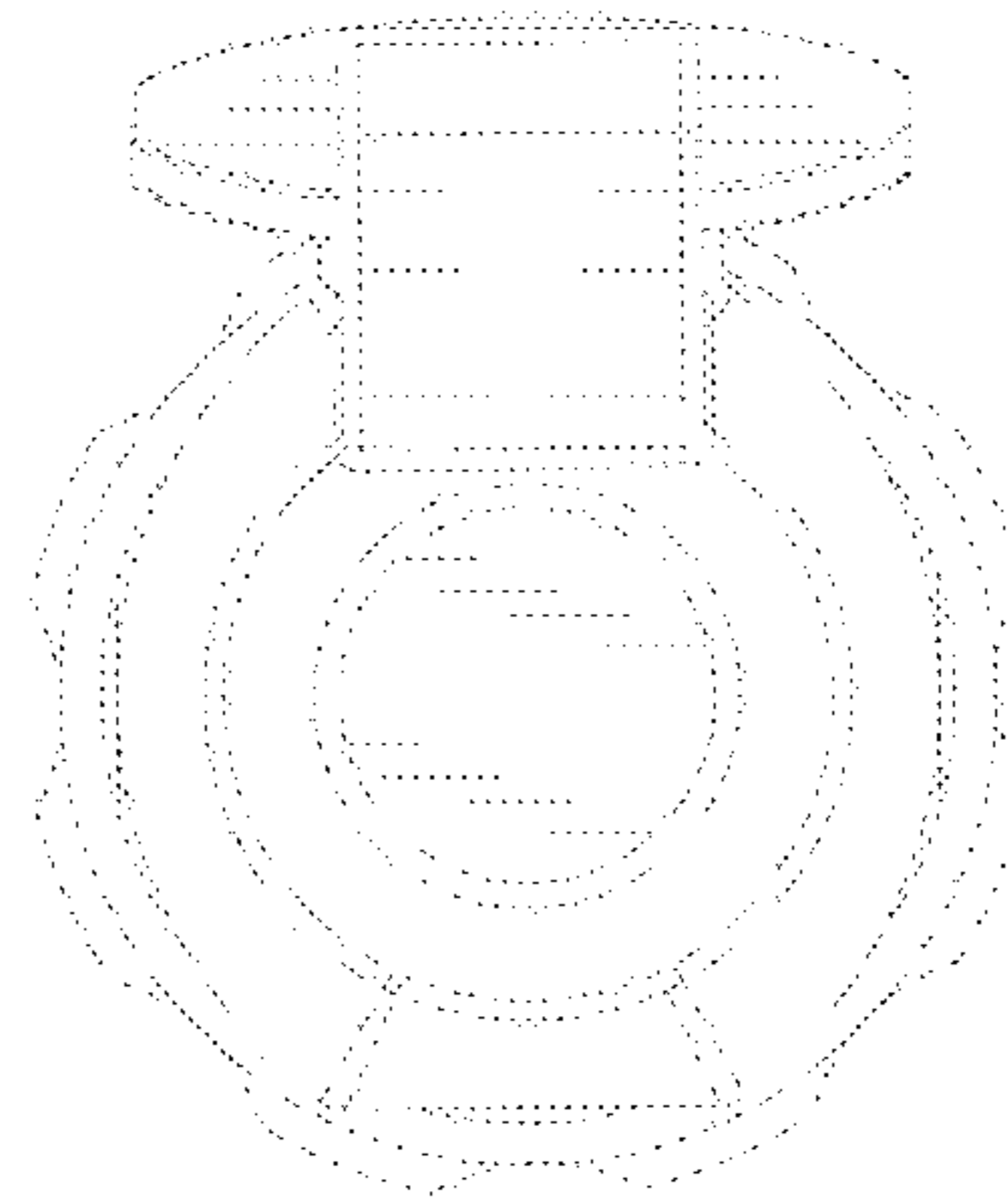


FIG. 4

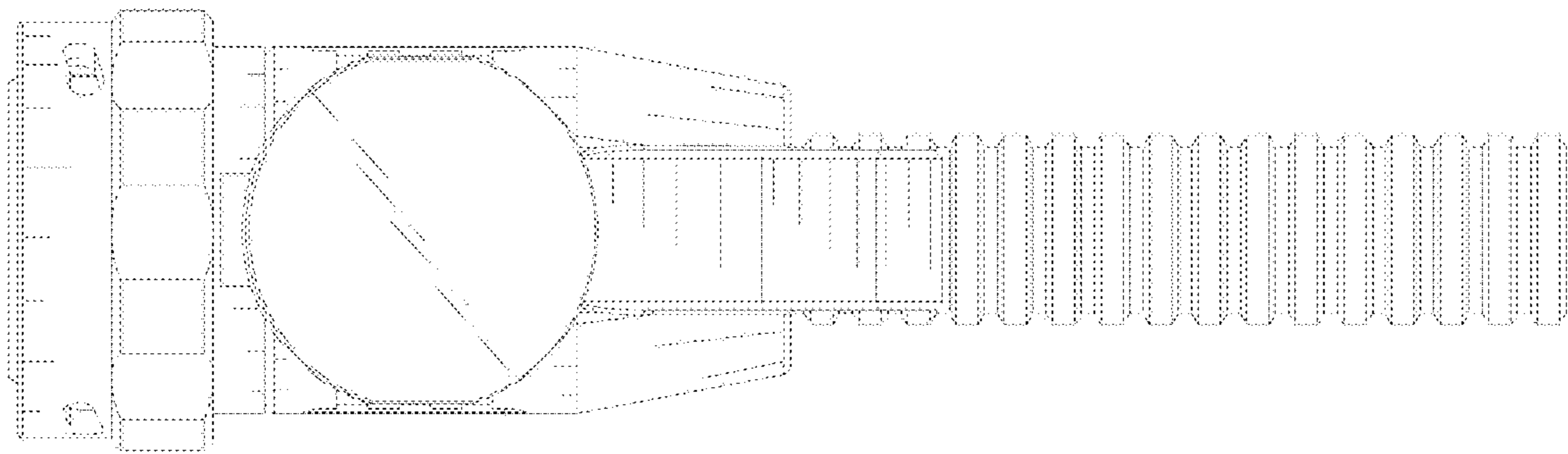


FIG. 5

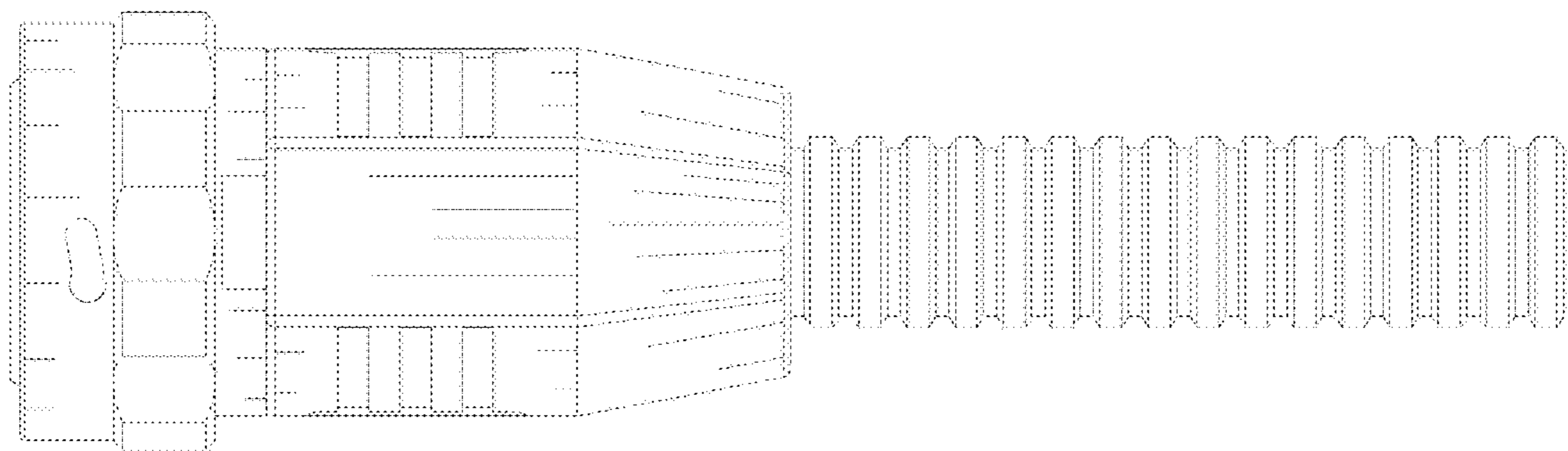


FIG. 6

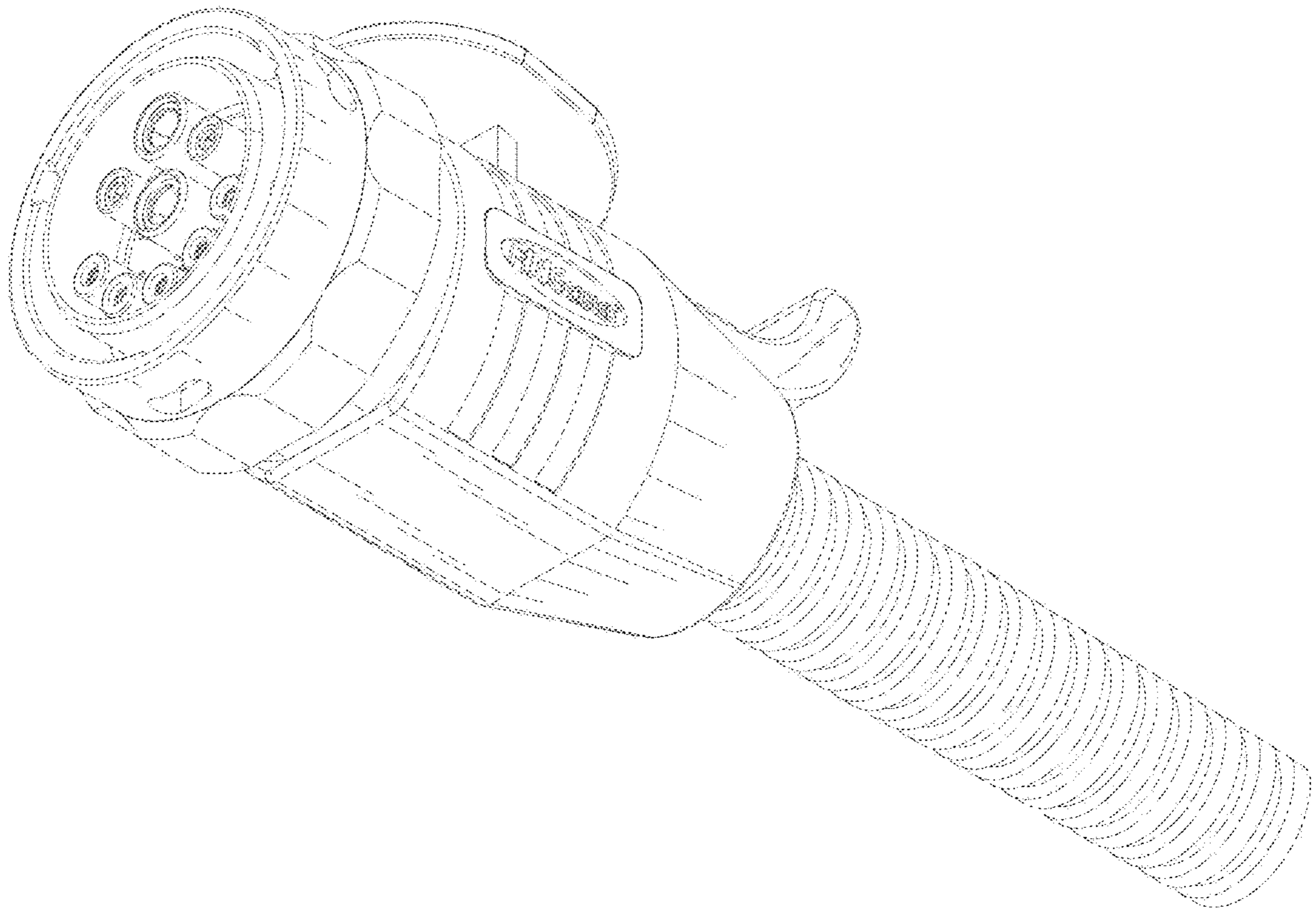


FIG. 7

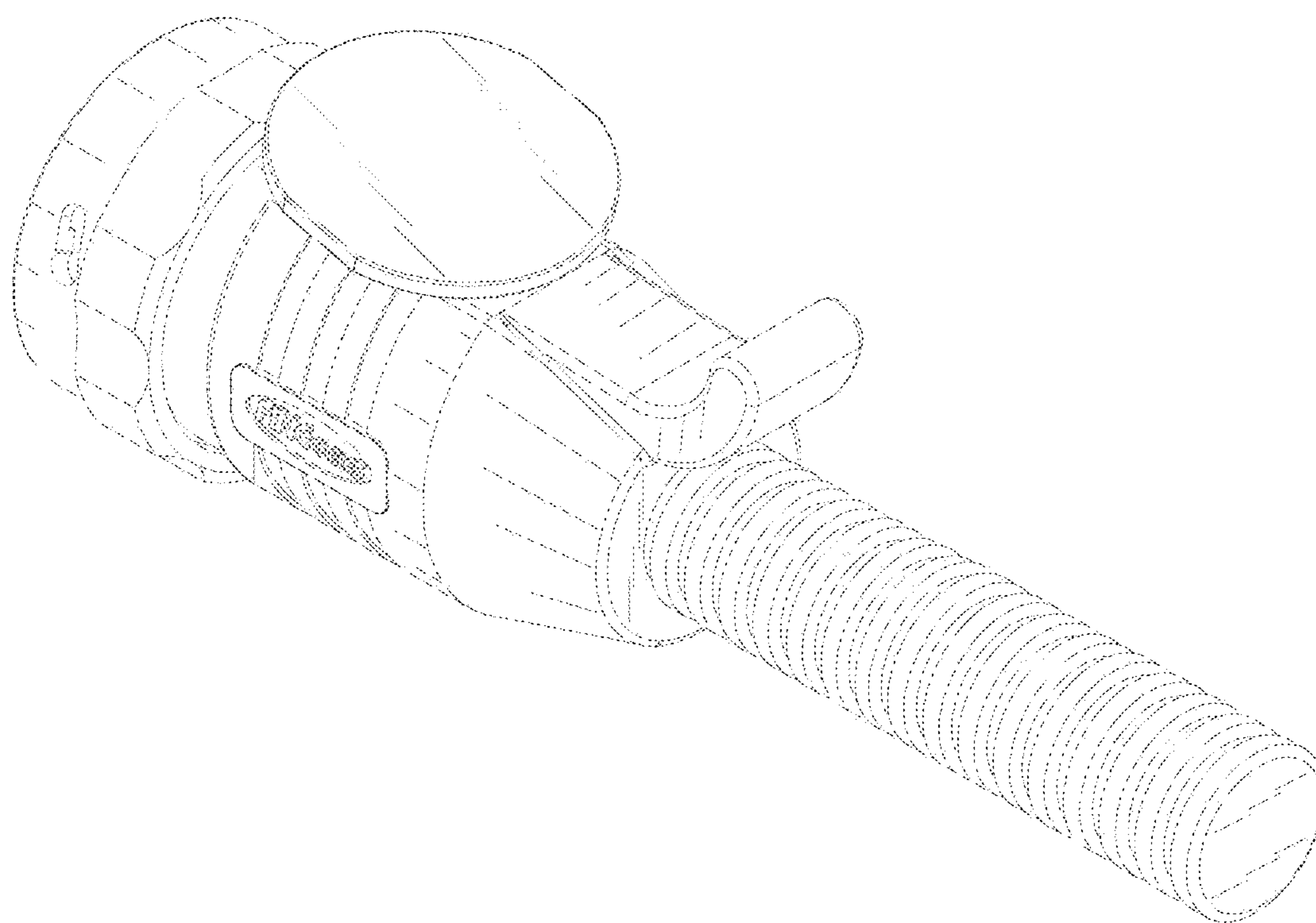


FIG. 8