



US00D794102S

(12) **United States Design Patent** (10) **Patent No.:** **US D794,102 S**
Ryu (45) **Date of Patent:** **** Aug. 8, 2017**

(54) **CUTTING INSERT**
(71) Applicant: **TaeguTec Ltd.**, Daegu (KR)
(72) Inventor: **Su Jin Ryu**, Daegu (KR)
(73) Assignee: **TaeguTec Ltd.**, Daegu (KR)
(**) Term: **15 Years**

D572,279 S *	7/2008	Takanashi	D15/139
D585,467 S *	1/2009	Takanashi	D15/139
D718,798 S *	12/2014	Anderson	D15/139
D741,923 S *	10/2015	Jung	D15/139
D752,664 S *	3/2016	Jung	D15/139
D755,267 S *	5/2016	Lee	D15/139
D772,318 S *	11/2016	Nam	D15/139
D772,319 S *	11/2016	Nam	D15/139
D772,320 S *	11/2016	McQueen, Jr.	D15/139
D786,324 S *	5/2017	Koskinen	D15/139

(21) Appl. No.: **29/549,773**
(22) Filed: **Dec. 28, 2015**
(51) **LOC (10) Cl.** **15-09**
(52) **U.S. Cl.**
USPC **D15/139**
(58) **Field of Classification Search**
USPC D7/693, 394, 372, 376, 378, 381, 383,
D7/384, 385; D8/20, 23, 25, 41, 47, 54,
D8/55, 58, 61, 64, 66, 70, 86, 98, 99,
D8/352, 366, 376, 387, 397; D15/19, 21,
D15/29, 121, 131, 132, 133, 138, 139,
D15/140
CPC B25D 3/00; B25D 17/02; B25D 2250/111;
B25D 2211/003; B25D 16/00; E21B
10/52; E21B 10/16; E21B 10/567; C03B
23/047; C03B 23/0496
See application file for complete search history.

OTHER PUBLICATIONS

http://www.taegutec.com/Media/DownloadFiles/FocusProducts_en.pdf—Created Mar. 20, 2017.*
<https://www.msdirect.com/industrialtools/ingersoll-cutting-tools-inserts.html>—Retrieved May 24, 2017.*

* cited by examiner

Primary Examiner — Manpreet Matharu
Assistant Examiner — Mojtaba Tehrani
(74) *Attorney, Agent, or Firm* — Hamre, Schumann, Mueller, Larson, P.C.

(57) **CLAIM**

The ornamental design for a cutting insert, as shown and described.

DESCRIPTION

FIG. 1 is a perspective view of a cutting insert showing my new design;
FIG. 2 is a front elevational view thereof;
FIG. 3 is a rear elevational view thereof;
FIG. 4 is a left side view thereof;
FIG. 5 is a right side view thereof;
FIG. 6 is a top plan view thereof;
FIG. 7 is a bottom plan view thereof; and,
FIG. 8 is a cross-sectional view taken along line 8-8 of FIG. 2.

1 Claim, 8 Drawing Sheets

(56) **References Cited**

U.S. PATENT DOCUMENTS

D265,718 S *	8/1982	Stoekli	D8/102
5,333,972 A *	8/1994	Bernadic	B23B 27/141
			407/113
5,775,855 A *	7/1998	Reiterman	B23C 5/207
			407/113
5,957,755 A *	9/1999	LaFlamme	B23B 27/141
			407/113
6,227,772 B1 *	5/2001	Heinloth	B23C 5/202
			407/113
D491,205 S *	6/2004	Bailey	D15/139

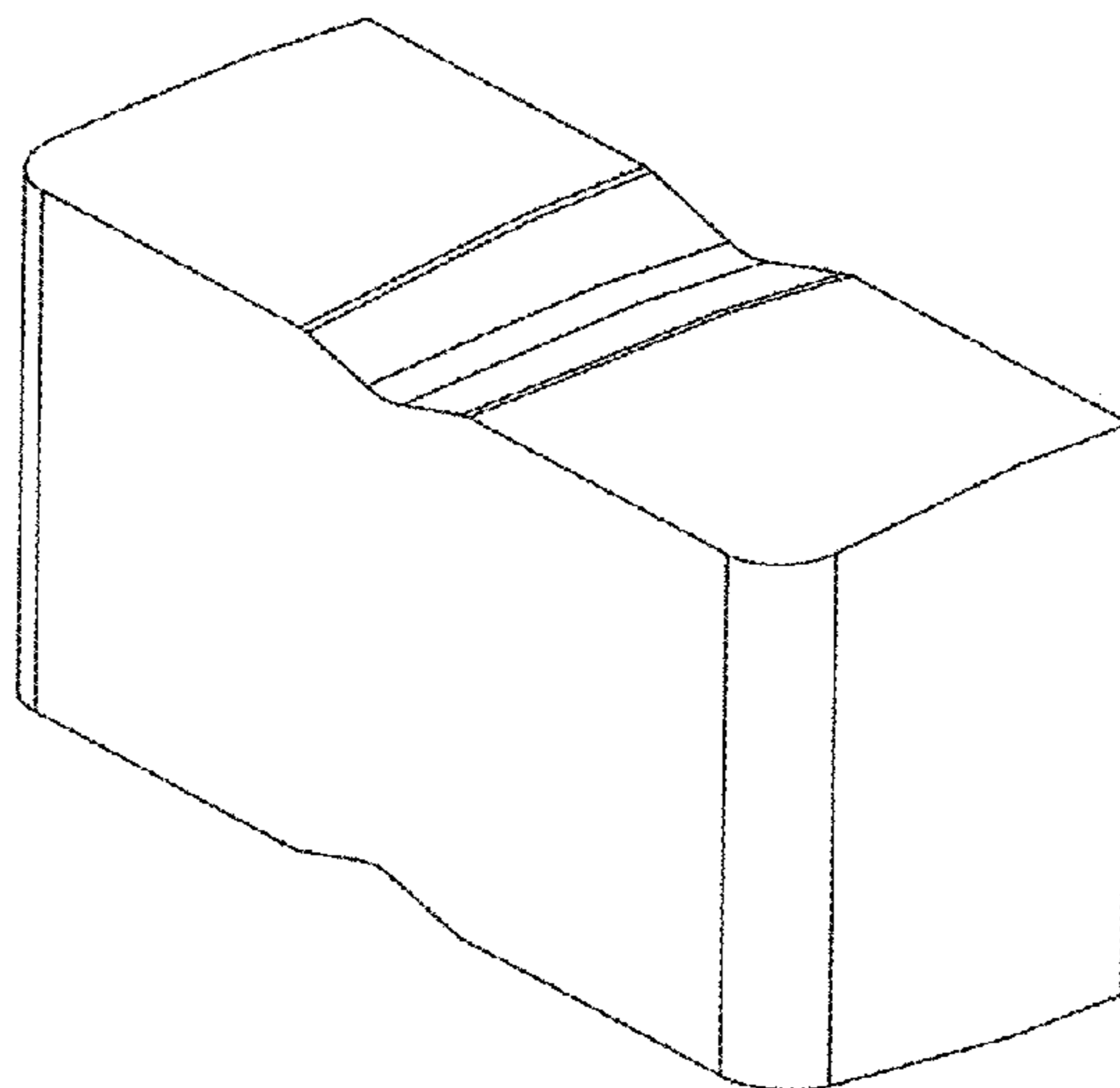


FIG. 1

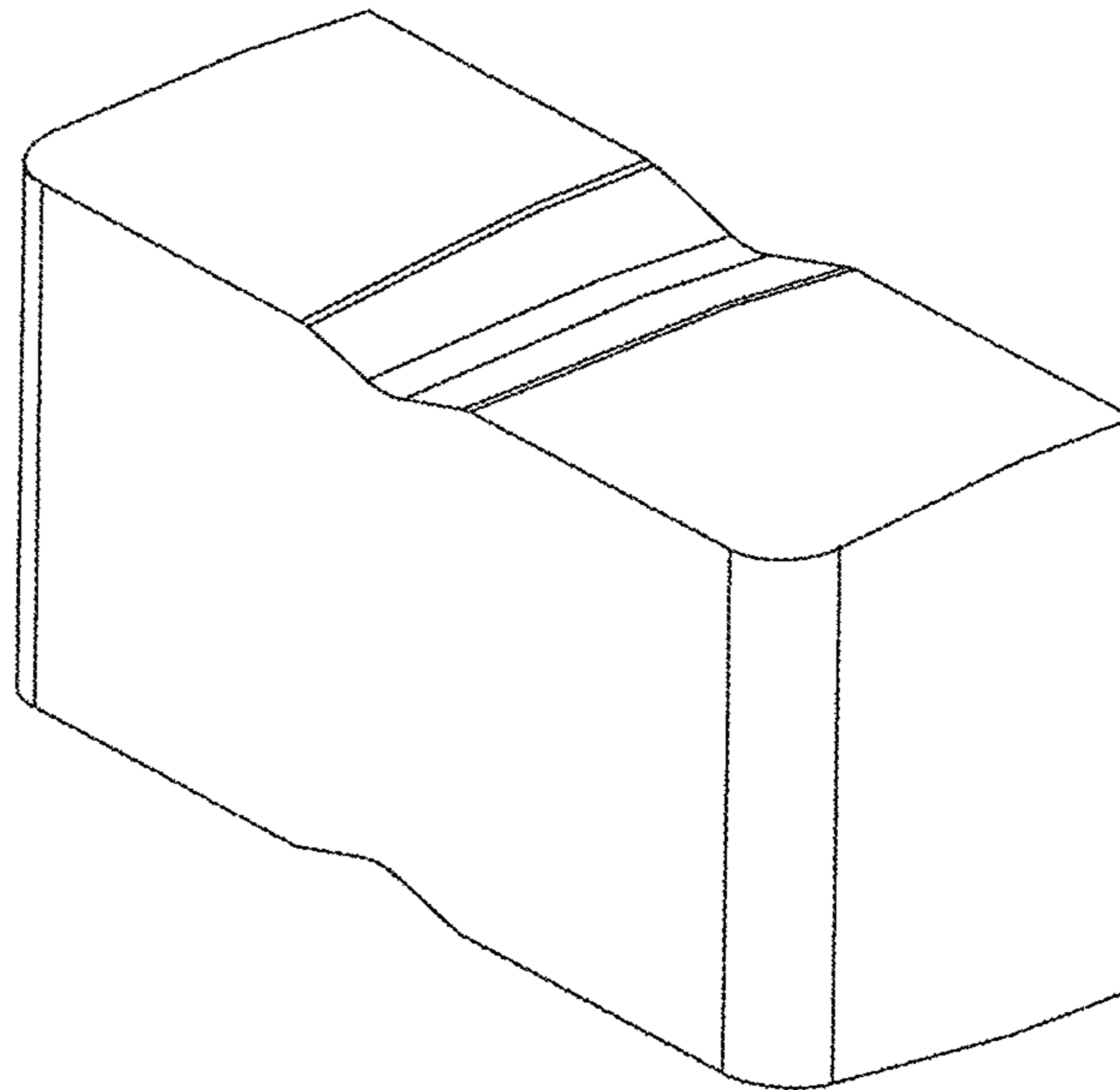


FIG. 2

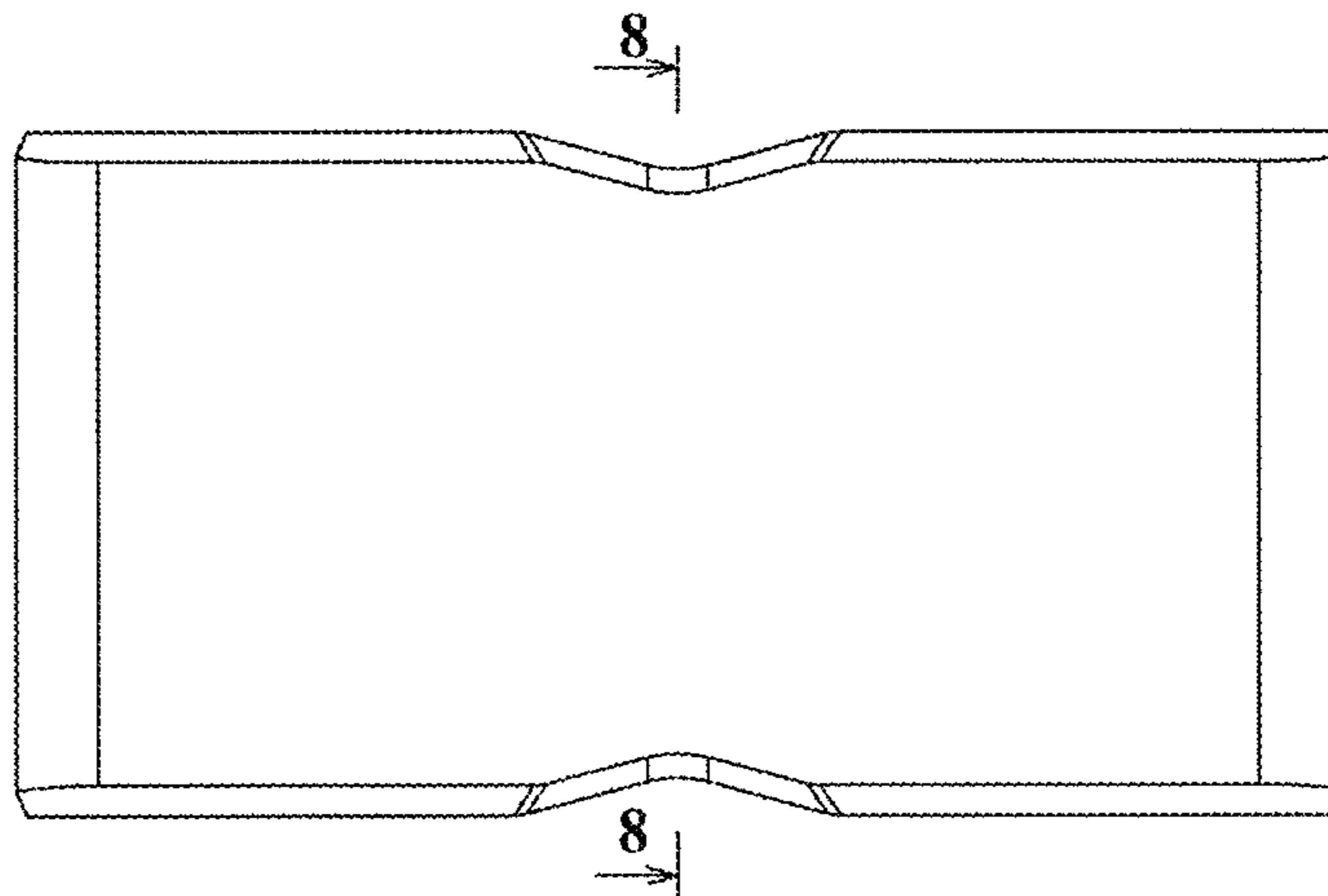


FIG. 3

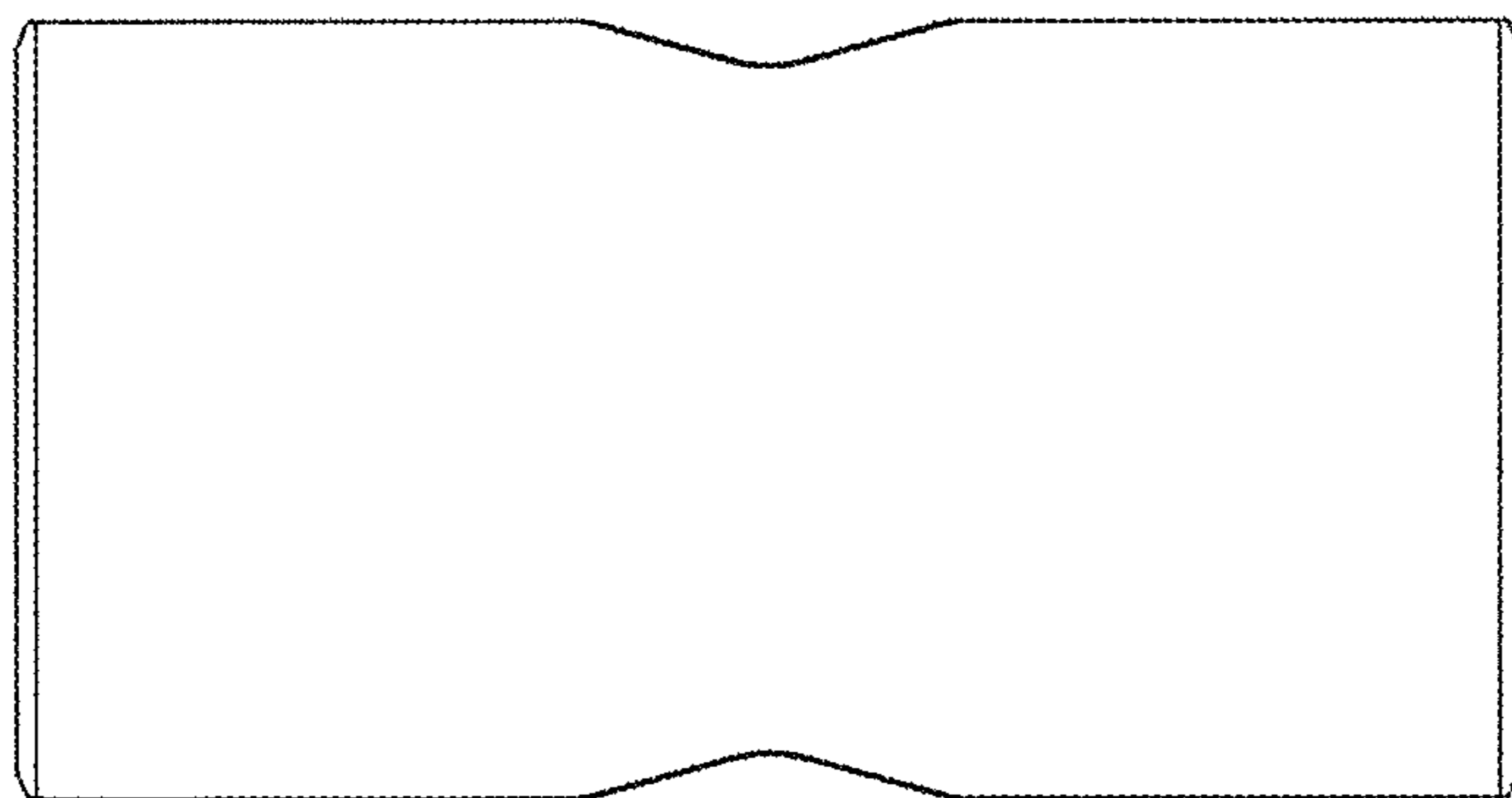


FIG. 4

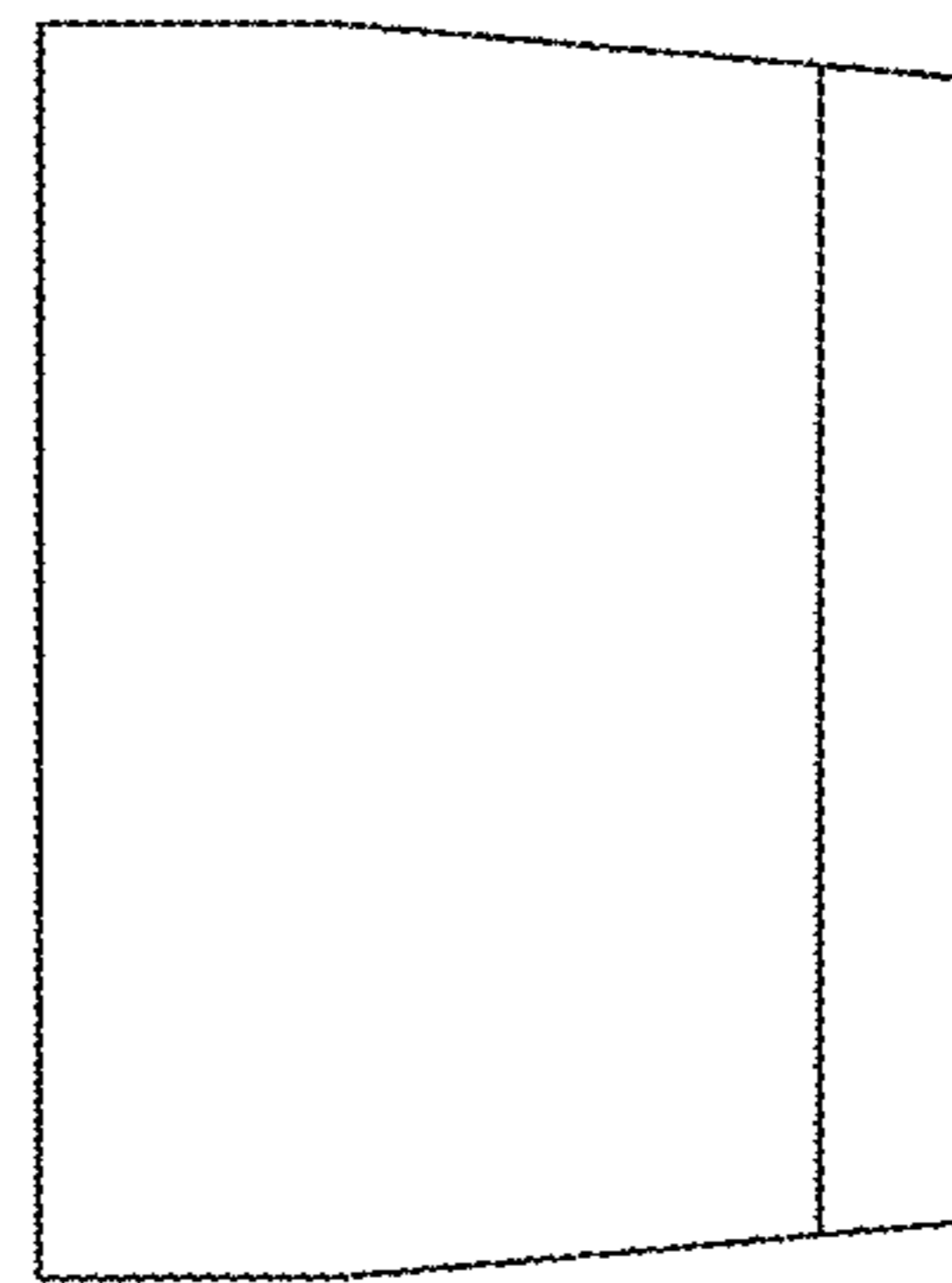


FIG. 5

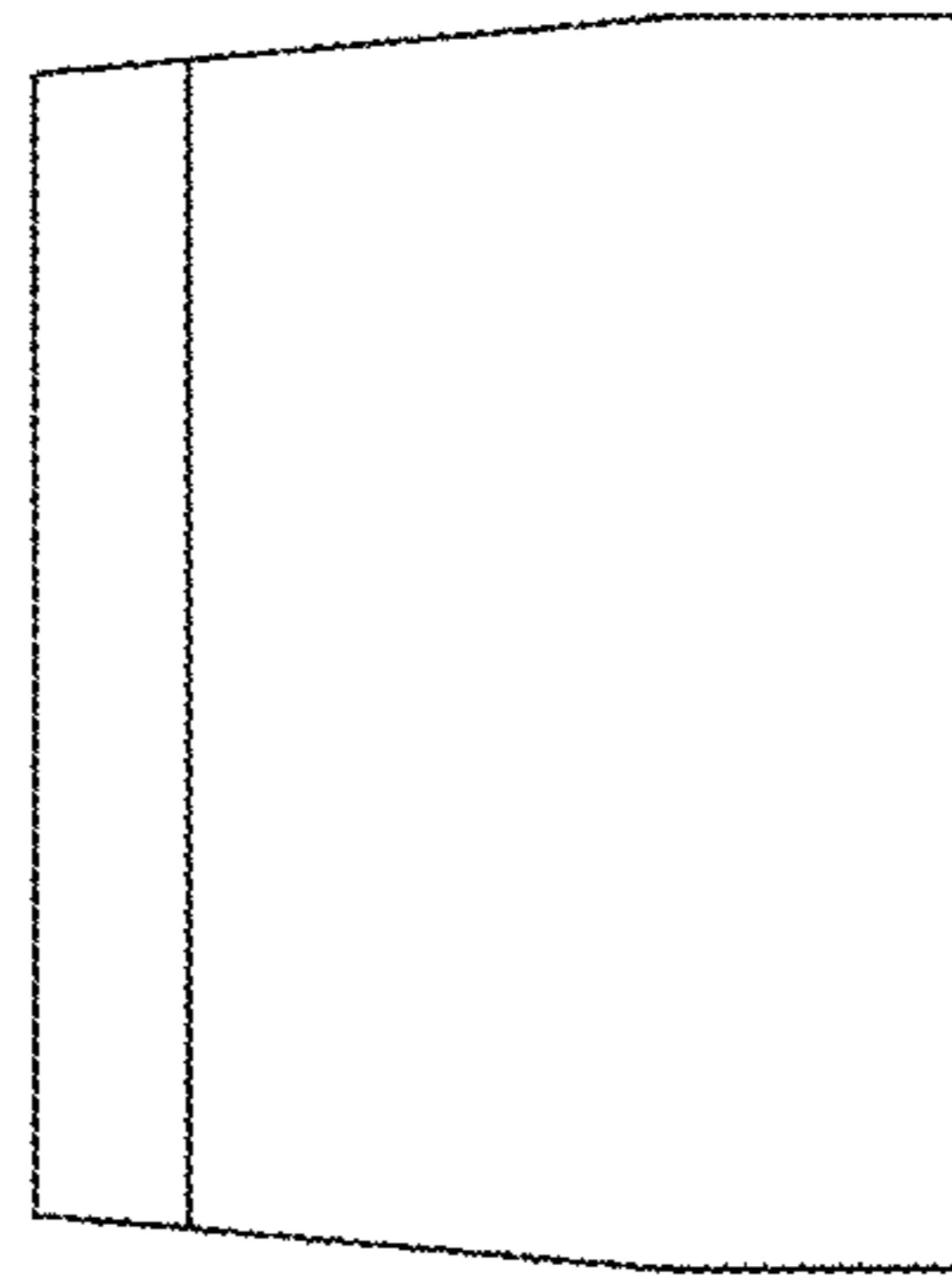


FIG. 6

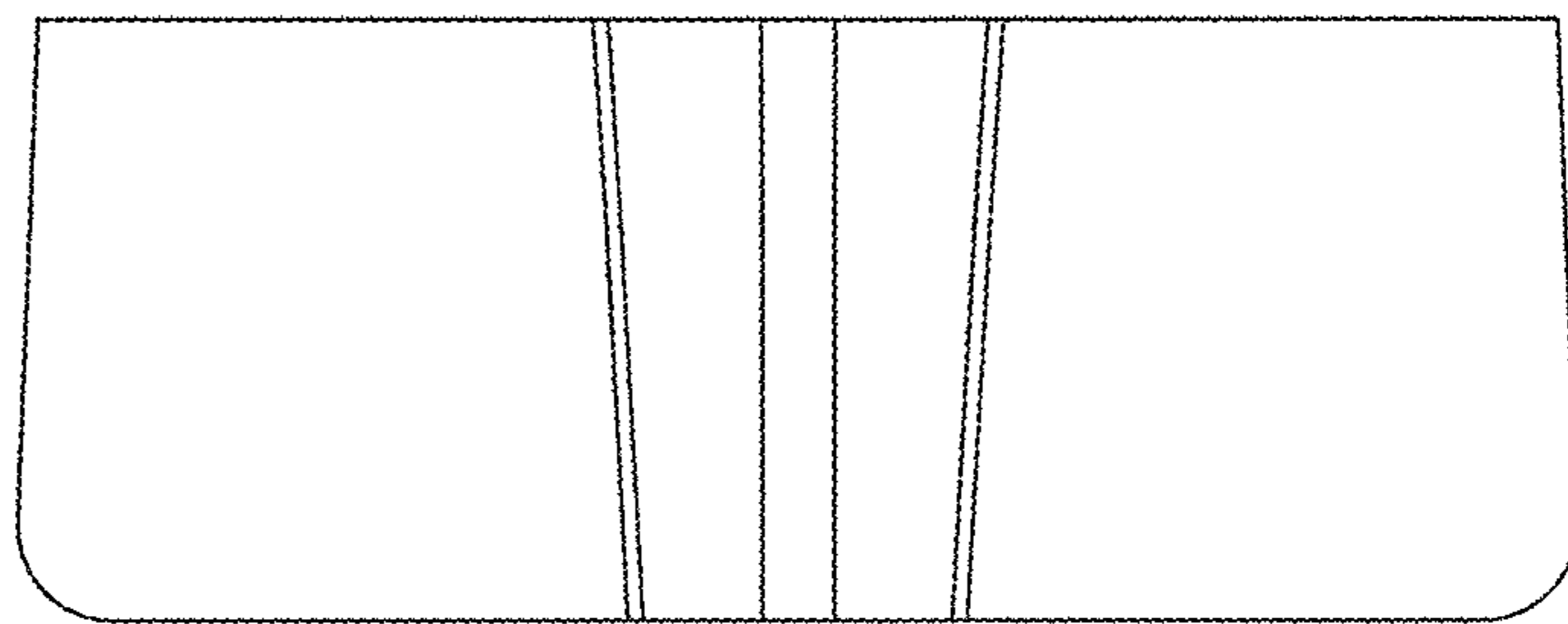


FIG. 7

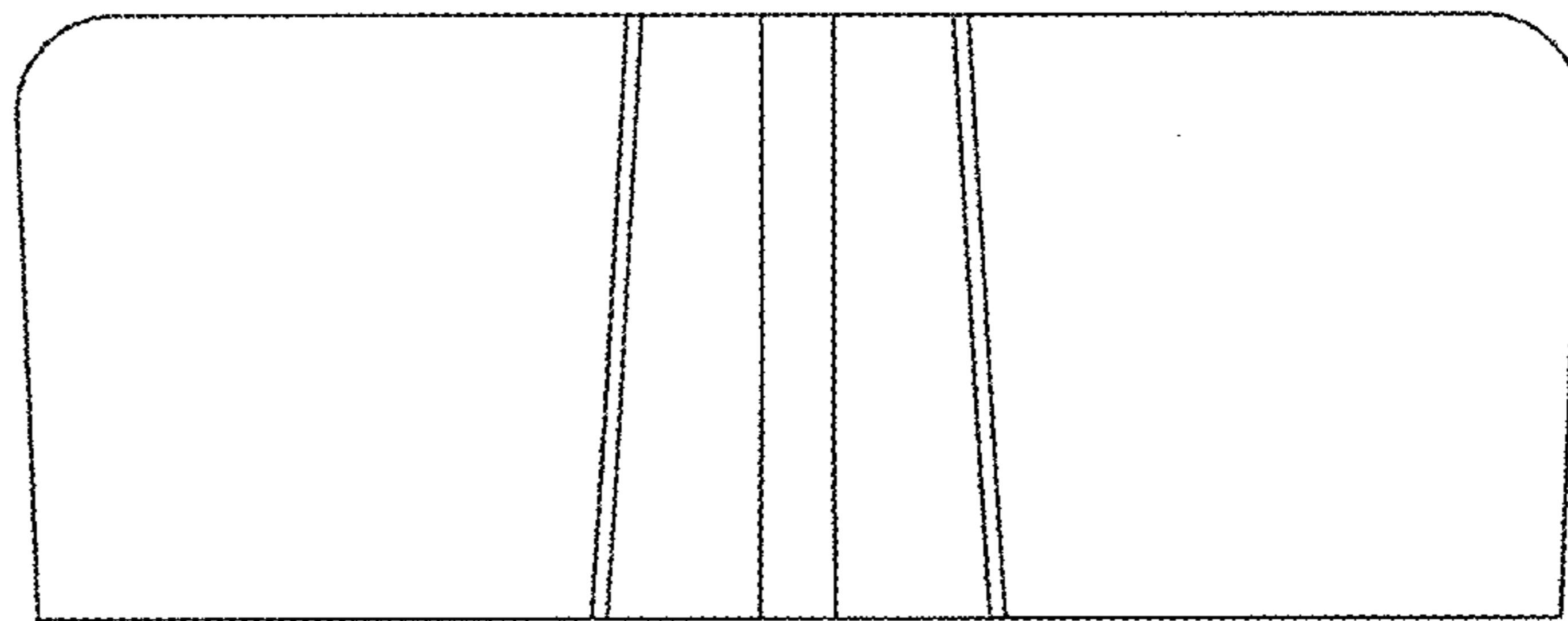


FIG. 8

