



US00D794101S

(12) **United States Design Patent** (10) **Patent No.:** **US D794,101 S**
Ryu (45) **Date of Patent:** **** Aug. 8, 2017**

(54) **CUTTING INSERT**
(71) Applicant: **TaeguTec Ltd.**, Daegu (KR)
(72) Inventor: **Su Jin Ryu**, Daegu (KR)
(73) Assignee: **TaeguTec Ltd.**, Daegu (KR)
(**) Term: **15 Years**
(21) Appl. No.: **29/549,769**
(22) Filed: **Dec. 28, 2015**
(51) **LOC (10) Cl.** **15-09**
(52) **U.S. Cl.**
USPC **D15/139**
(58) **Field of Classification Search**
USPC D7/693, 394, 372, 376, 378, 381, 383,
D7/384, 385; D8/20, 23, 25, 41, 47, 54,
D8/55, 58, 61, 64, 66, 70, 86, 98, 99,
D8/352, 366, 376, 387, 397; D15/19, 21,
D15/29, 121, 131, 132, 133, 138, 139,
D15/140
CPC B25D 3/00; B25D 17/02; B25D 2250/111;
B25D 2211/003; B25D 16/00; E21B
10/16; E21B 10/567; C03B 23/047; C03B
23/0496
See application file for complete search history.

6,227,772 B1 * 5/2001 Heinloth B23C 5/202
407/113
D491,205 S * 6/2004 Bailey D15/139
6,872,034 B2 * 3/2005 Satran B23C 5/2213
407/103
D572,279 S * 7/2008 Takanashi D15/139
D579,470 S * 10/2008 Maeta D15/139
D585,467 S * 1/2009 Takanashi D15/139
D617,351 S * 6/2010 Brockway D15/20
D617,817 S * 6/2010 Brockway D15/20
8,616,866 B2 * 12/2013 Satran B22F 3/03
419/66
D755,267 S * 5/2016 Lee D15/139
(Continued)

OTHER PUBLICATIONS

http://www.taegutec.com/Media/DownloadFiles/FocusProducts_en.pdf—Created Mar. 20, 2017.*
(Continued)

Primary Examiner — Manpreet Matharu
Assistant Examiner — Mojtaba Tehrani
(74) *Attorney, Agent, or Firm* — Hamre, Schumann,
Mueller & Larson, P.C.

(57) **CLAIM**

The ornamental design for a cutting insert, as shown and described.

DESCRIPTION

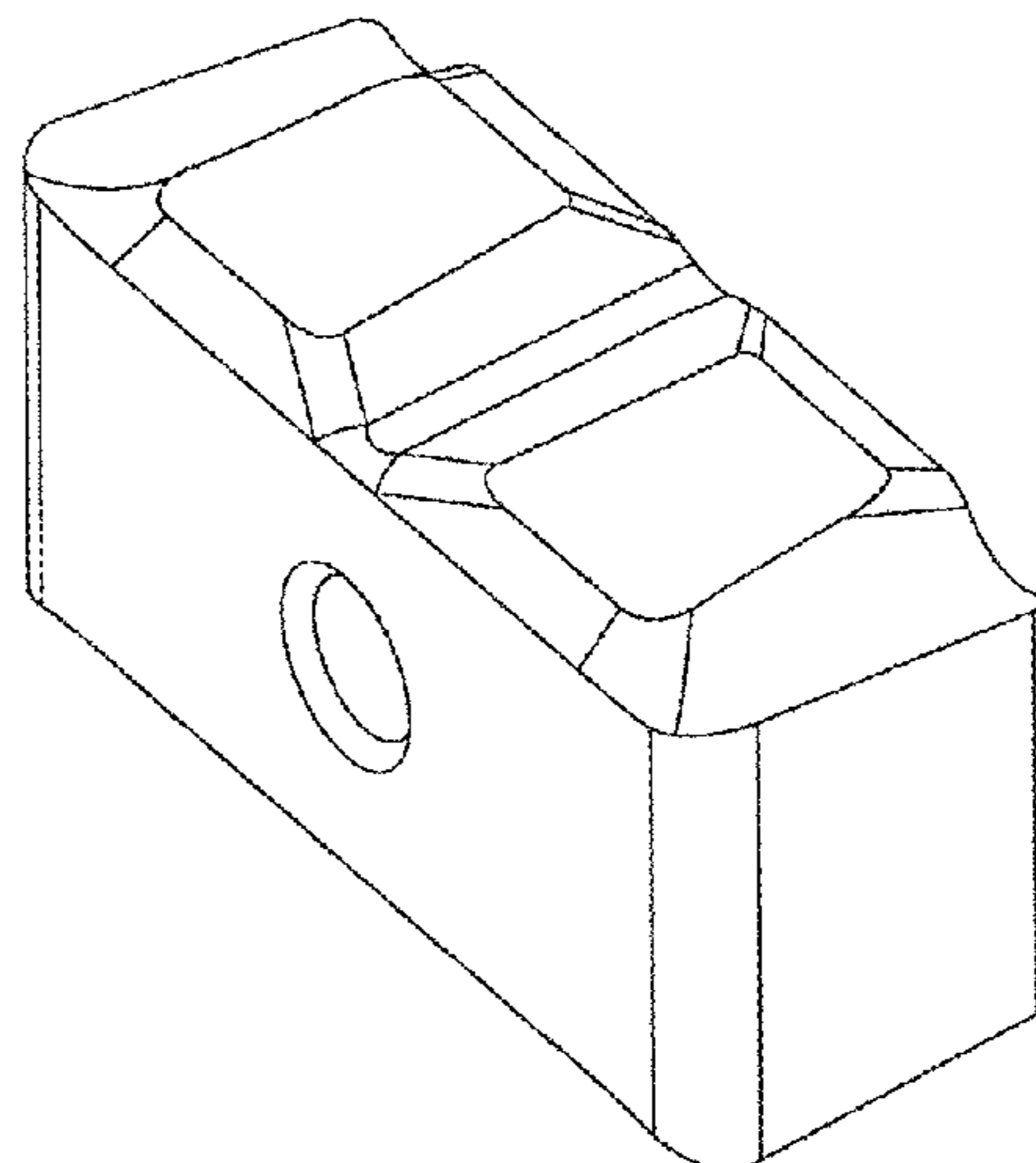
FIG. 1 is a perspective view of a cutting insert showing my new design;
FIG. 2 is a front elevational view thereof;
FIG. 3 is a rear elevational view thereof;
FIG. 4 is a left side view thereof;
FIG. 5 is a right side view thereof;
FIG. 6 is a top plan view thereof;
FIG. 7 is a bottom plan view thereof; and,
FIG. 8 is a cross-sectional view taken along line 8-8 of FIG. 2.

1 Claim, 8 Drawing Sheets

(56) **References Cited**

U.S. PATENT DOCUMENTS

D265,718 S * 8/1982 Stoeckli D8/102
5,203,648 A * 4/1993 Bohannan B23B 27/045
407/113
5,333,972 A * 8/1994 Bernadic B23B 27/141
407/113
D379,630 S * 6/1997 Brockway D15/29
5,775,855 A * 7/1998 Reiterman B23C 5/207
407/113
5,957,755 A * 9/1999 LaFlamme B23B 27/141
407/113



(56)

References Cited

U.S. PATENT DOCUMENTS

D781,360 S * 3/2017 Kanada D15/139
9,616,506 B2 * 4/2017 Matsubara B23C 5/205
D786,324 S * 5/2017 Koskinen D15/139
2013/0266392 A1 * 10/2013 Lee B23C 3/06
409/234

OTHER PUBLICATIONS

<https://www.msdirect.com/industrialtools/ingersoll-cutting-tools-inserts.html>—Retrieved May 24, 2017.*

* cited by examiner

FIG. 1

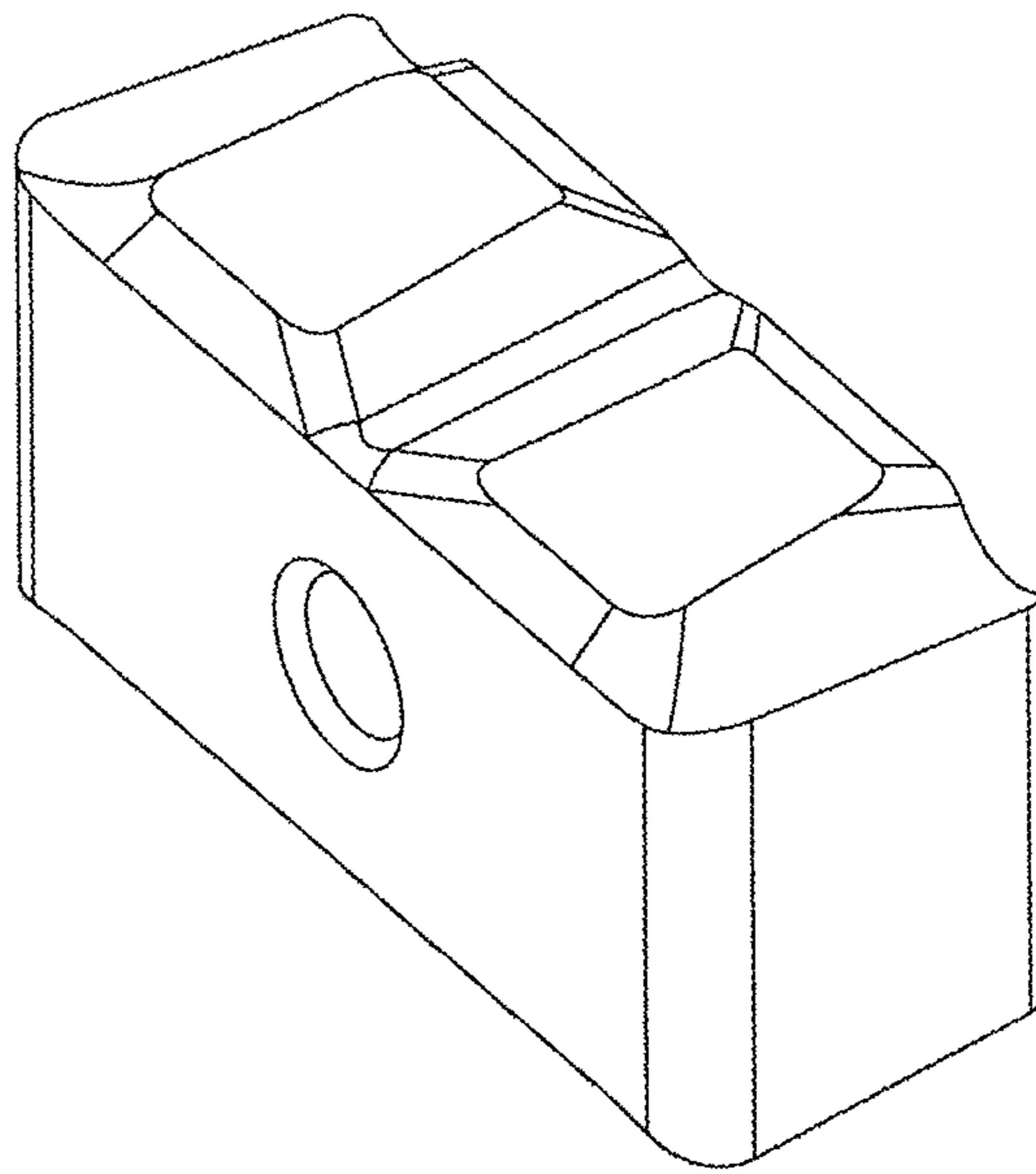


FIG. 2

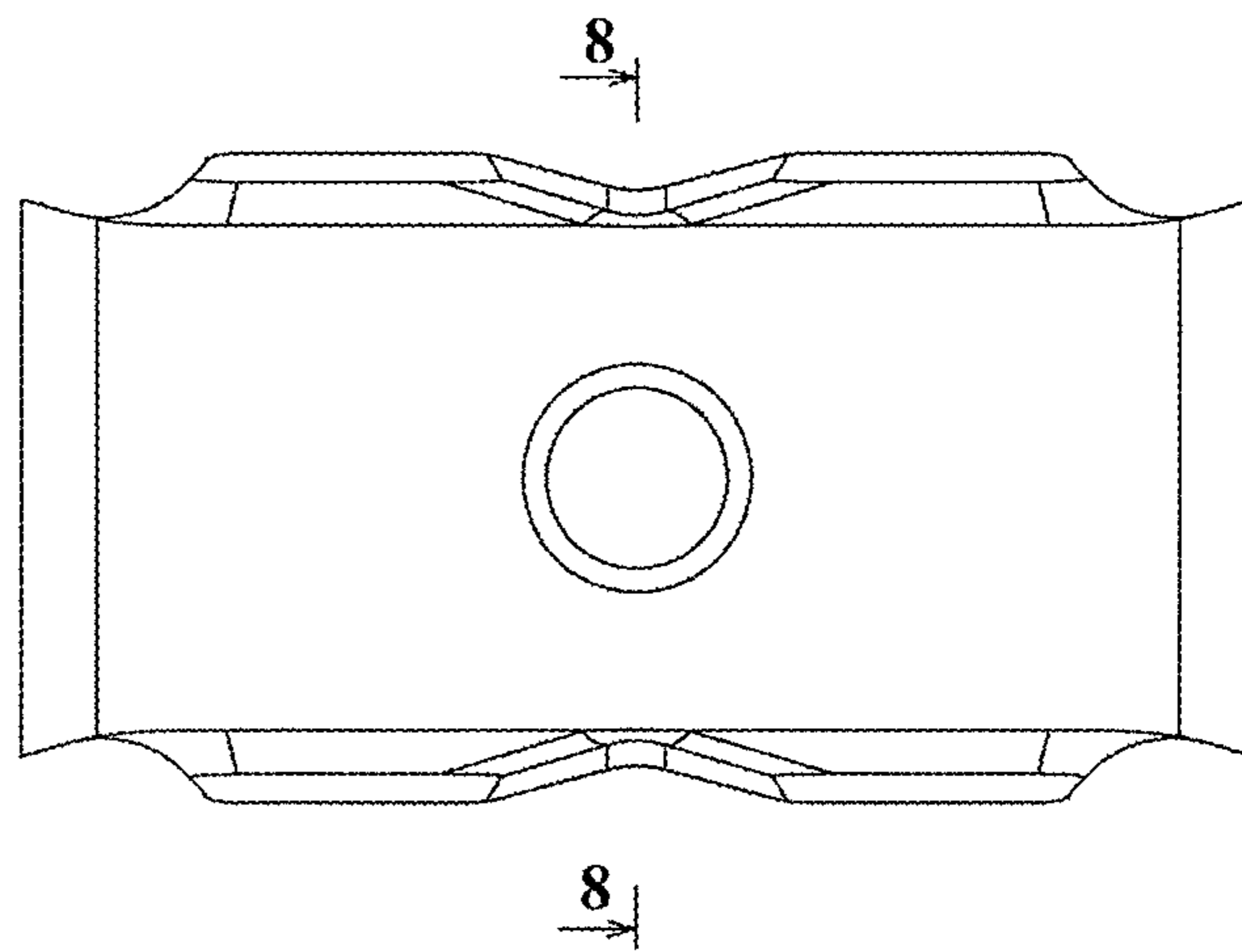


FIG. 3

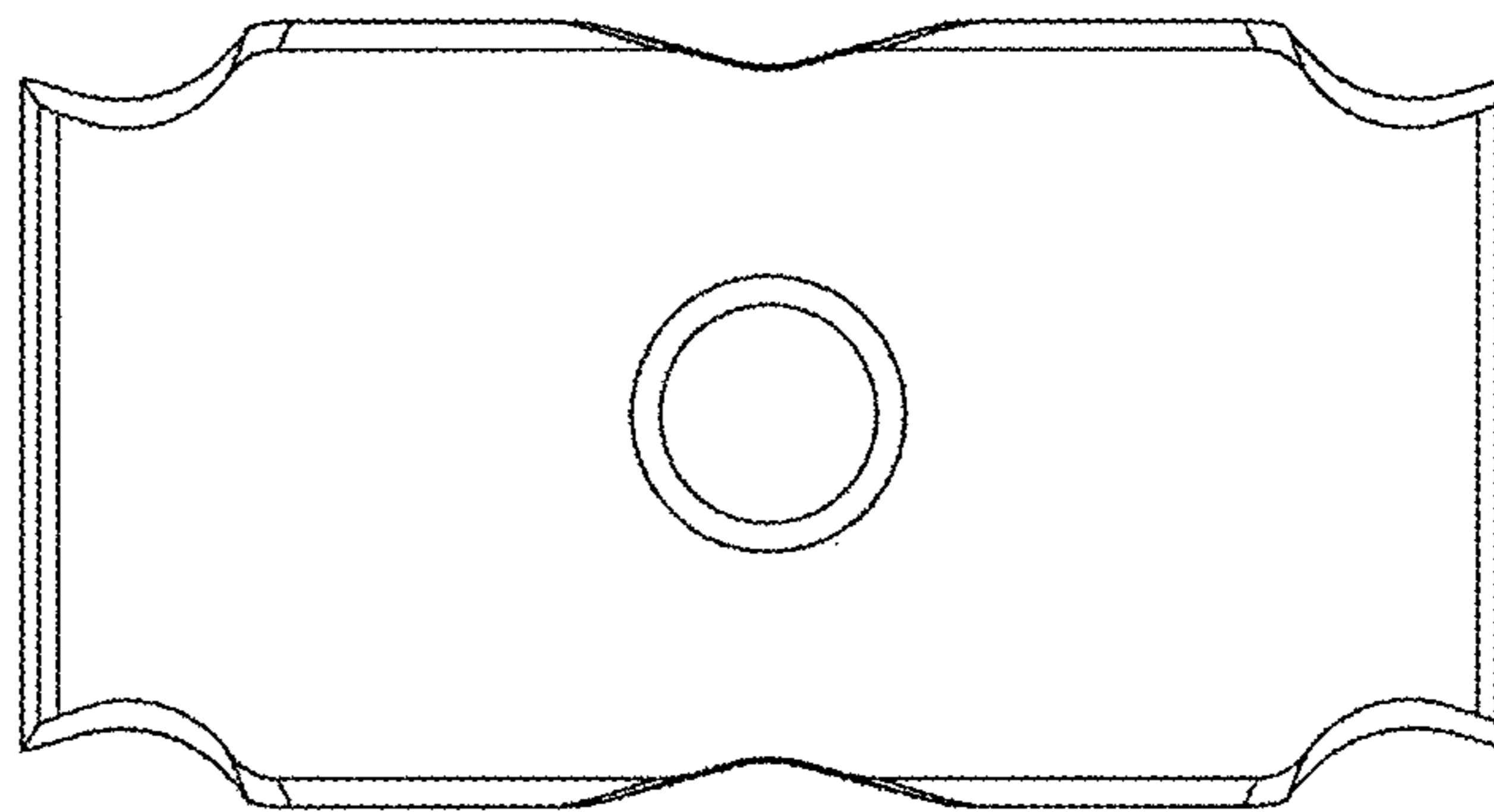


FIG. 4

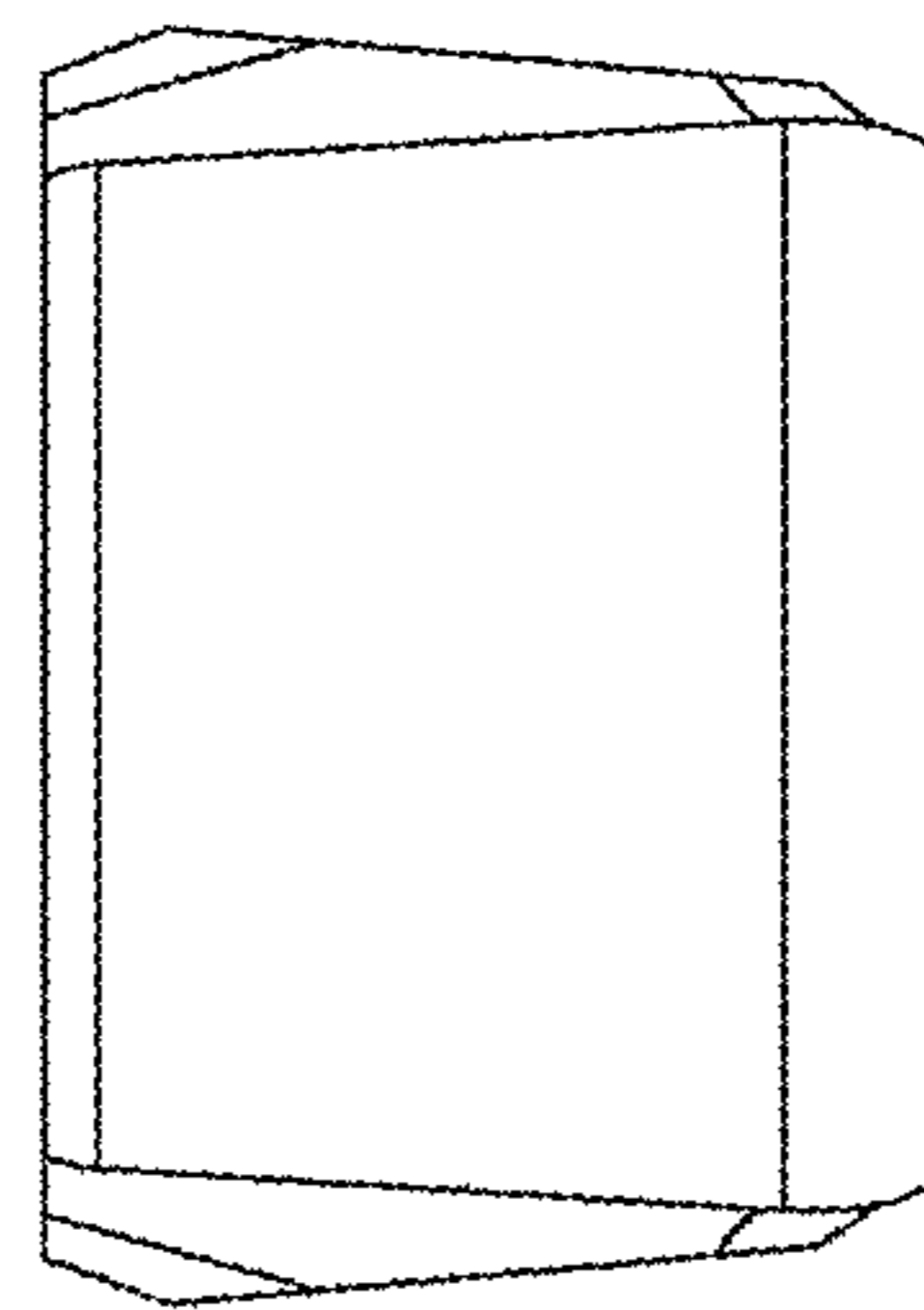


FIG. 5

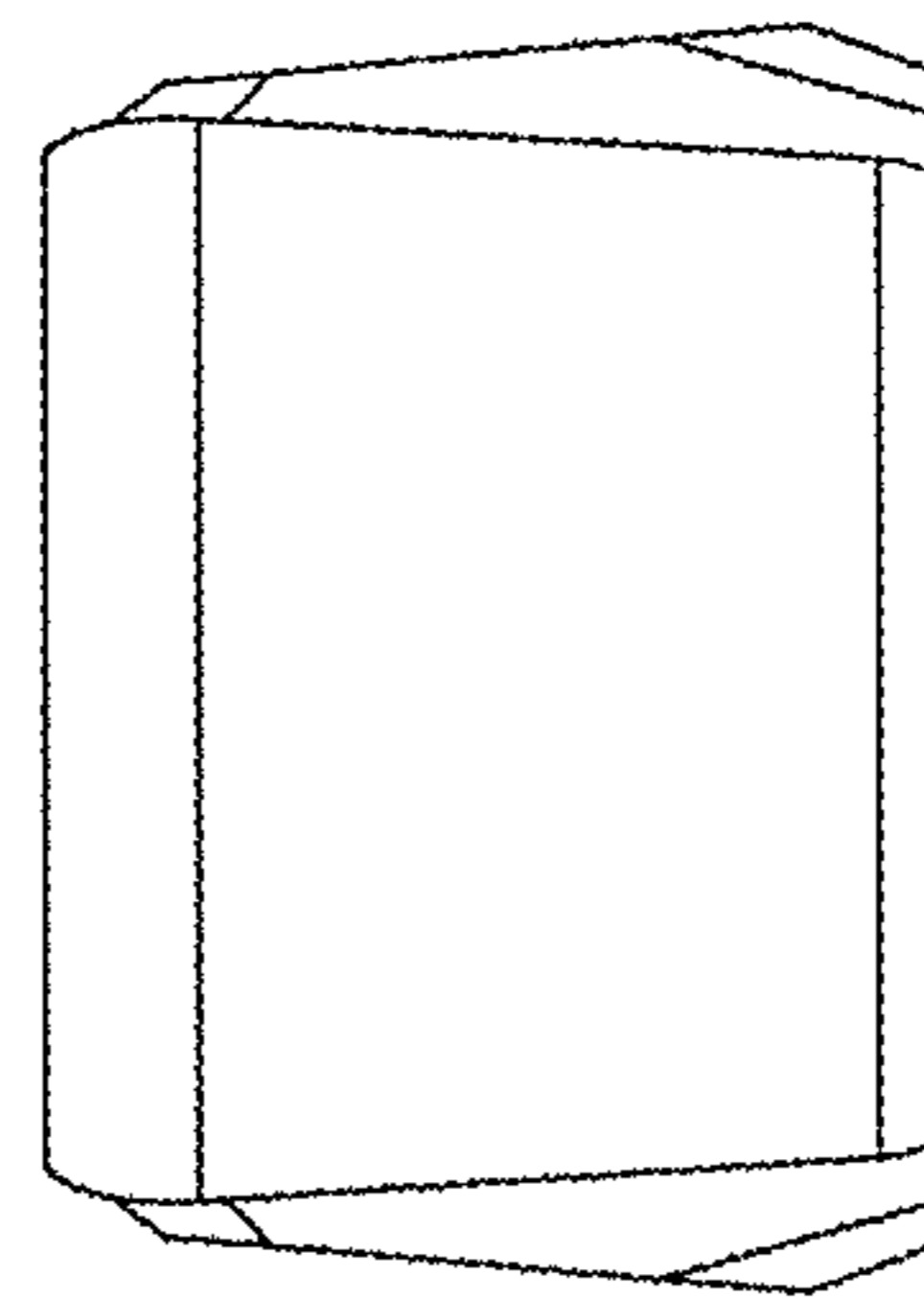


FIG. 6

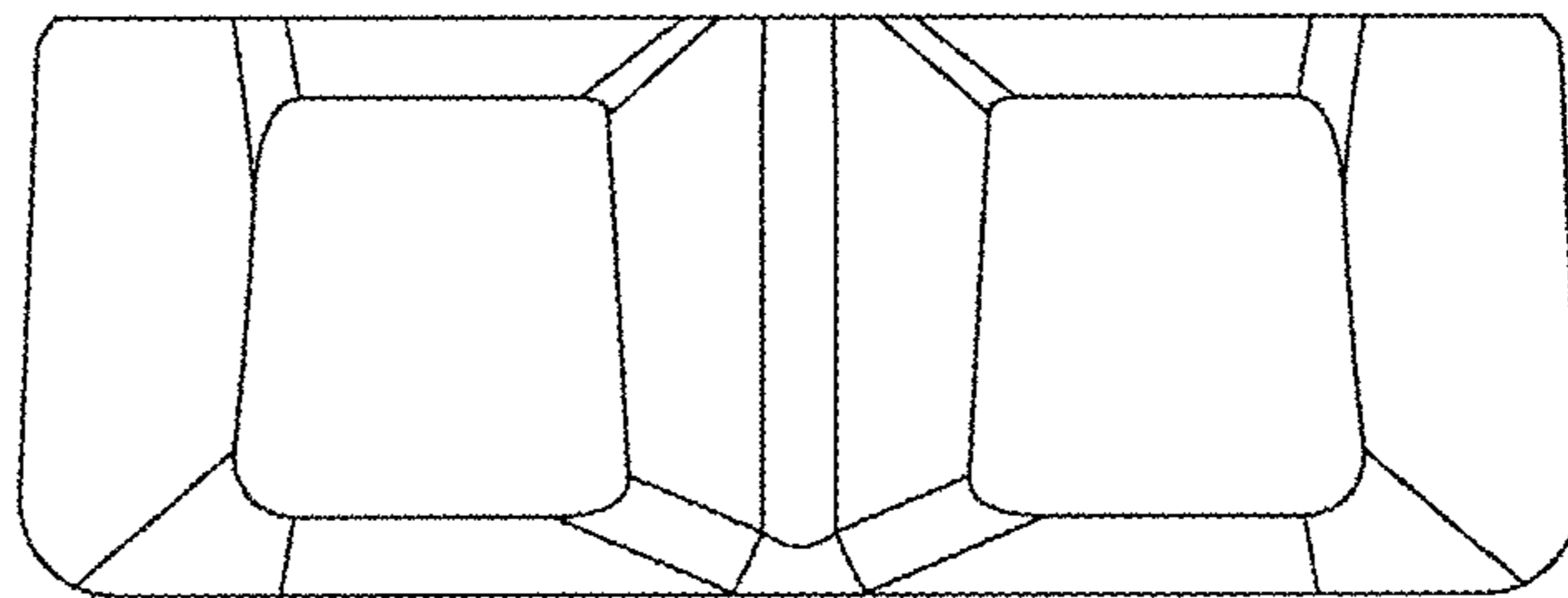


FIG. 7

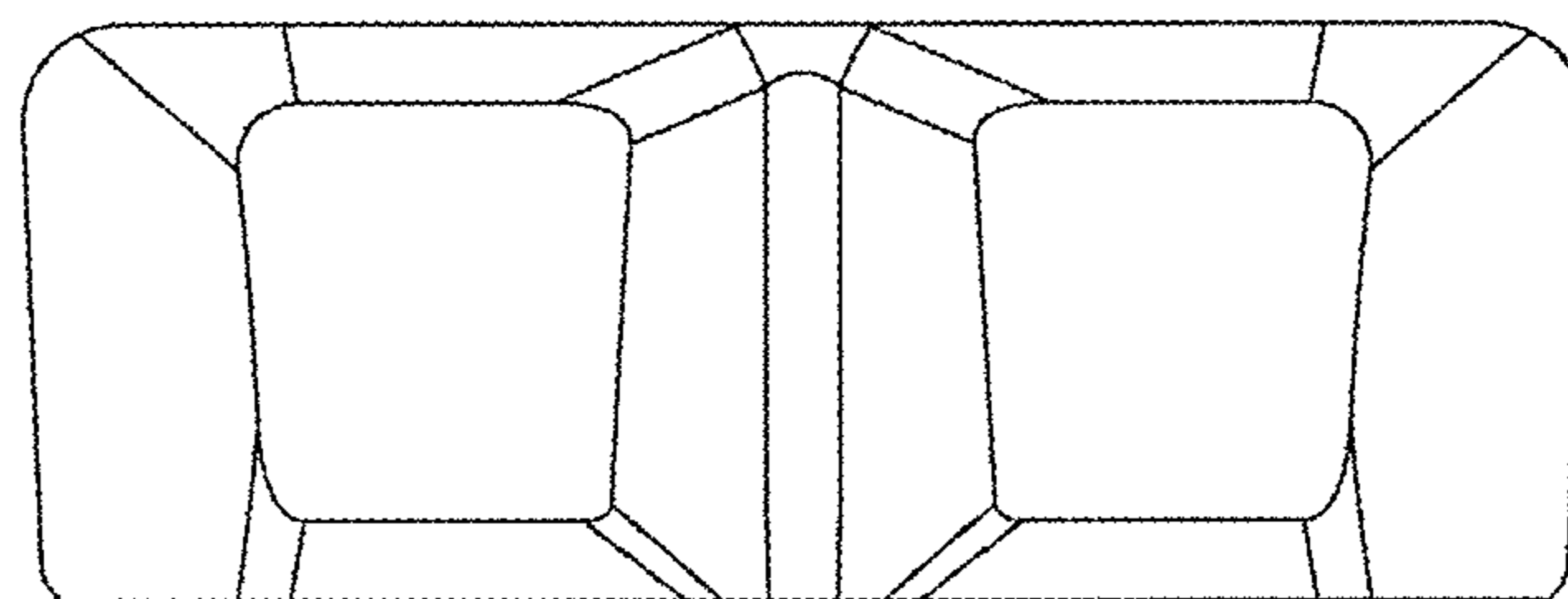


FIG. 8

