



US00D794095S

(12) **United States Design Patent**
Watanabe et al.

(10) **Patent No.:** **US D794,095 S**

(45) **Date of Patent:** **** Aug. 8, 2017**

(54) **CONTROL PANEL FOR COATING MACHINE**

(71) Applicant: **ANEST IWATA Corporation,**
Yokohama-shi, Kanagawa (JP)

(72) Inventors: **Mitsuo Watanabe,** Yokohama (JP);
Kaoru Yoshihara, Yokohama (JP)

(73) Assignee: **ANEST IWATA CORPORATION,**
Yokohama-Shi (JP)

(**) Term: **15 Years**

(21) Appl. No.: **29/542,544**

(22) Filed: **Oct. 15, 2015**

(30) **Foreign Application Priority Data**

Apr. 20, 2015 (JP) D2015-008865

(51) **LOC (10) Cl.** **15-09**

(52) **U.S. Cl.**
USPC **D15/122; D15/138**

(58) **Field of Classification Search**
USPC D15/122, 124, 135, 138, 199; D23/202,
D23/213, 225

CPC .. B05B 15/025; B05C 5/001; Y10T 156/1798
See application file for complete search history.

(56) **References Cited**

U.S. PATENT DOCUMENTS

- 3,669,068 A * 6/1972 Geitz B41D 5/00
118/223
- 4,135,669 A * 1/1979 Bridges B05B 9/007
239/146
- 6,068,702 A * 5/2000 Bertellotti B05B 15/1229
118/308
- 6,155,166 A * 12/2000 Bertagna B41F 9/003
101/150

- D560,271 S * 1/2008 Kesti D23/225
- D567,264 S * 4/2008 Muller D15/122
- D580,518 S * 11/2008 Johnson D23/225
- D597,173 S * 7/2009 Mulgrew D23/225
- D608,414 S * 1/2010 Legatt D23/225
- D616,064 S * 5/2010 Mattson D23/225
- D616,065 S * 5/2010 Gundersen D23/225

(Continued)

Primary Examiner — Patricia Palasik

(74) *Attorney, Agent, or Firm* — Jeremy Jay

(57) **CLAIM**

The ornamental design for a control panel for coating machine, as shown and described.

DESCRIPTION

FIG. 1 is a front view of a control panel for coating machine of the present invention.

FIG. 2 is a rear view of the control panel for coating machine of FIG. 1.

FIG. 3 is a top plan view of the control panel for coating machine of FIG. 1.

FIG. 4 is a bottom view of the control panel for coating machine of FIG. 1.

FIG. 5 is a right side view of the control panel for coating machine of FIG. 1.

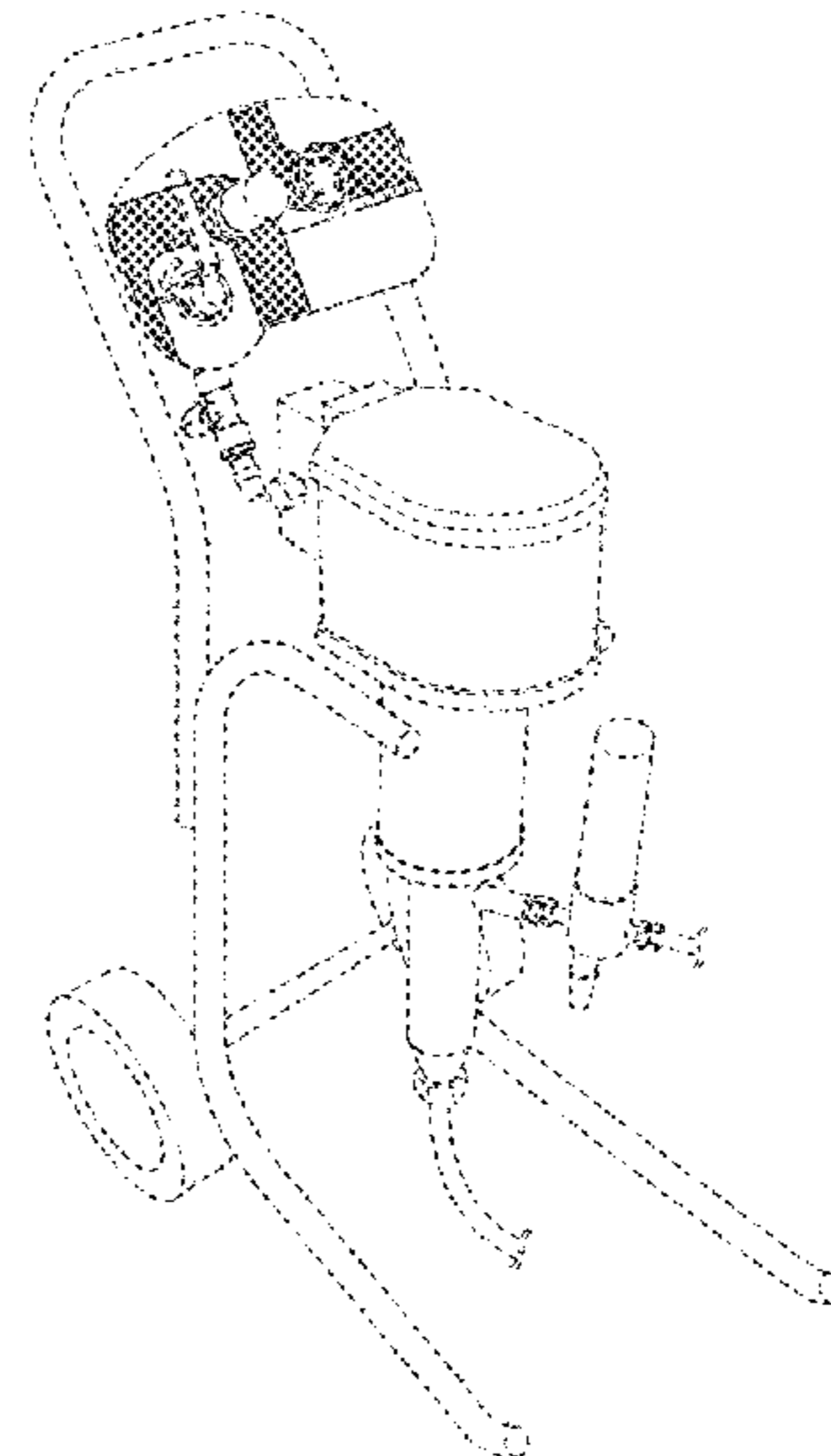
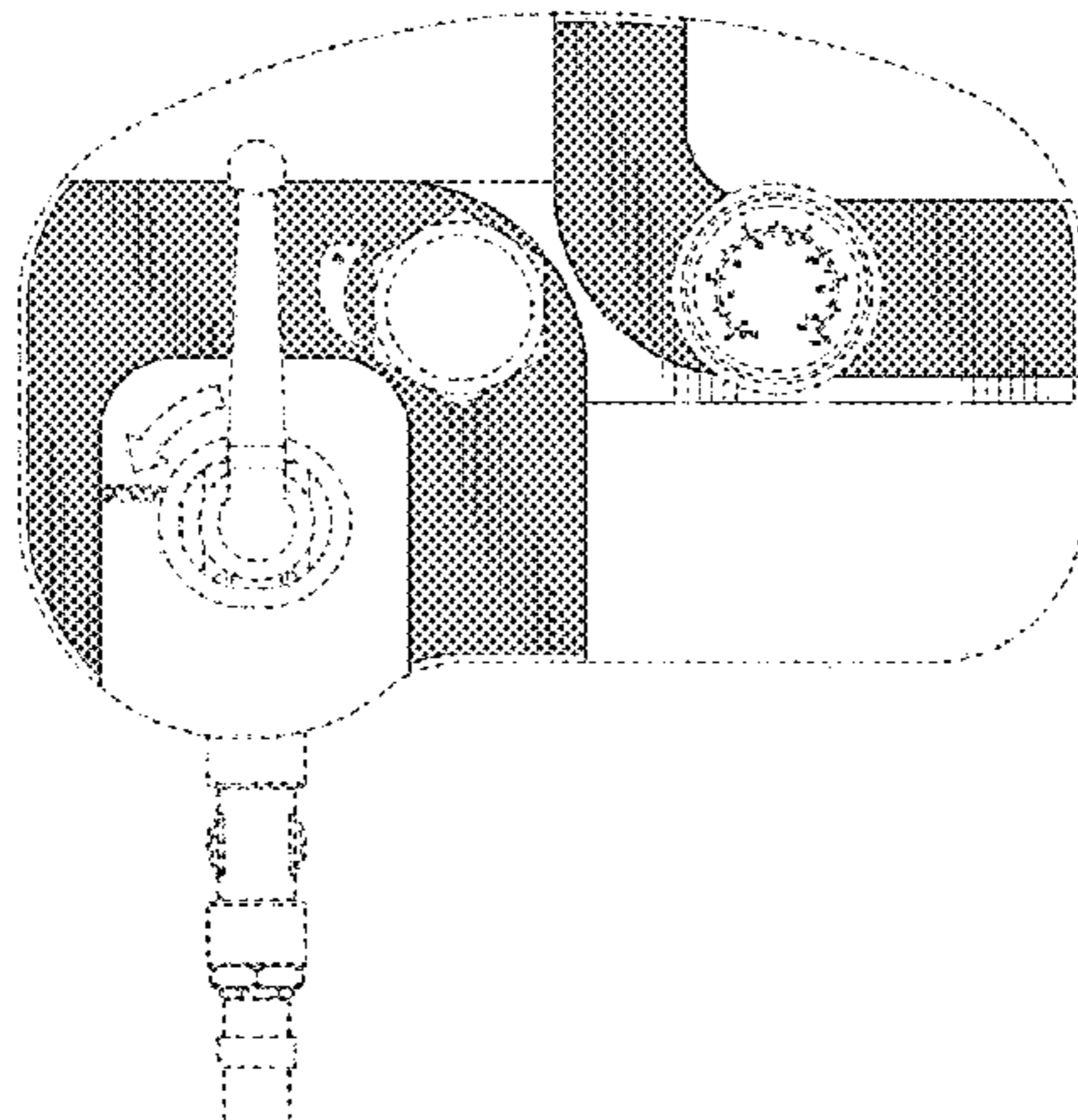
FIG. 6 is a left side view of the control panel for coating machine of FIG. 1.

FIG. 7 is a sectional view taken along the line 7-7 of the control panel for coating machine of FIG. 6; and,

FIG. 8 is a reference view of the control panel for coating machine of FIG. 1 in use, wherein the control panel is connected to a coating machine.

The features shown in broken lines depict environmental subject matter only and form no part of the claimed design. The lines having alternating long and short segments define bounds of the claimed design and form no part thereof. The gray shadings indicate color contrast.

1 Claim, 8 Drawing Sheets



(56)

References Cited

U.S. PATENT DOCUMENTS

D621,426	S *	8/2010	Fusejima	D15/122
D622,296	S *	8/2010	Ueberschlag	D15/122
D674,420	S *	1/2013	Ueberschlag	D15/122
D694,298	S *	11/2013	Hoelbl	D15/122
D703,709	S *	4/2014	Tix	D15/135
D713,865	S *	9/2014	Anderson	D15/135
D733,840	S *	7/2015	Butler	D23/225
D749,192	S *	2/2016	Fontaine	D23/225
D785,057	S *	4/2017	Strothmann	D15/122
D785,058	S *	4/2017	Strothmann	D15/122
2006/0147633	A1 *	7/2006	Jones	B05C 5/00 427/299

* cited by examiner

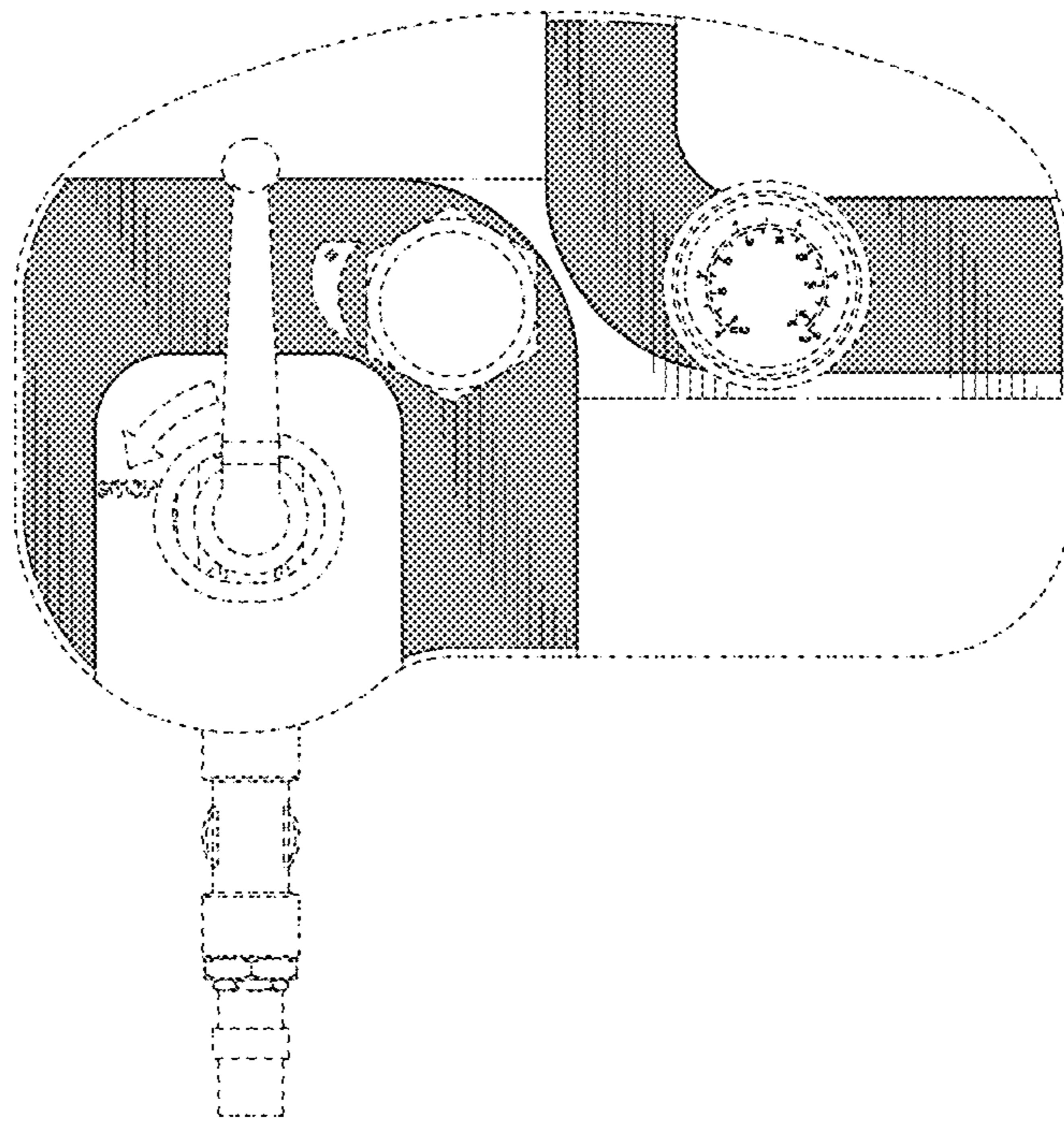


FIG. 1

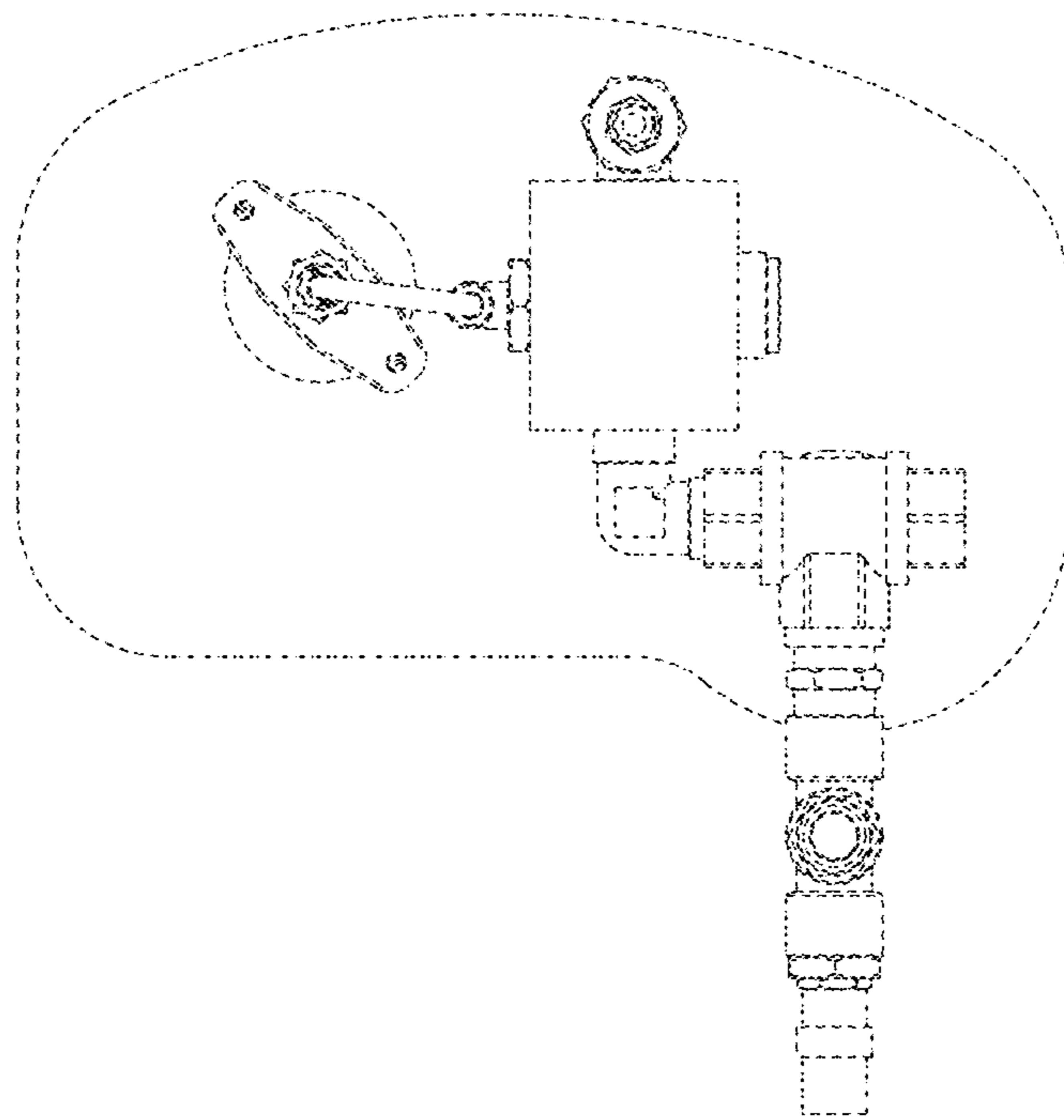


FIG.2

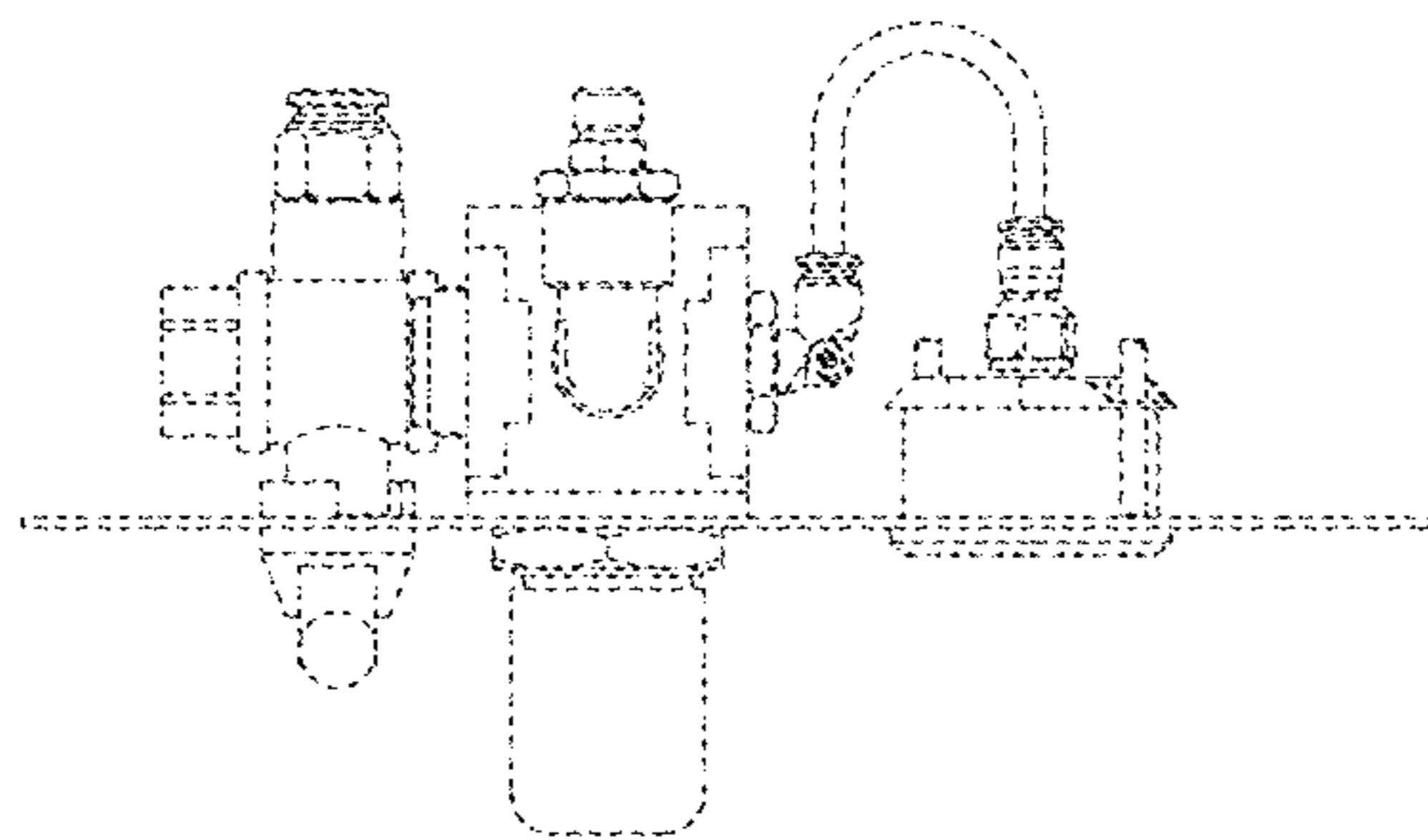


FIG.3

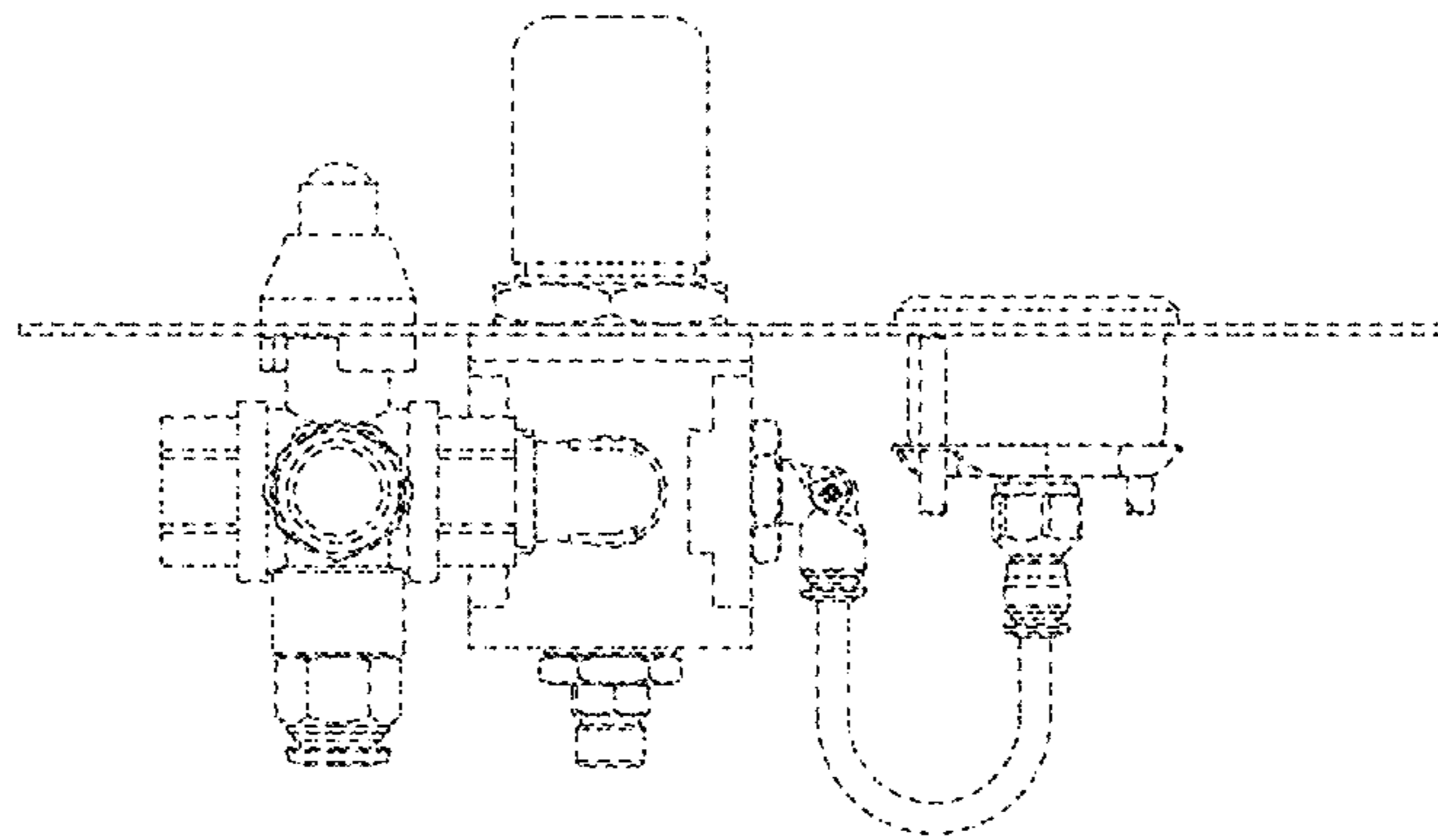


FIG.4

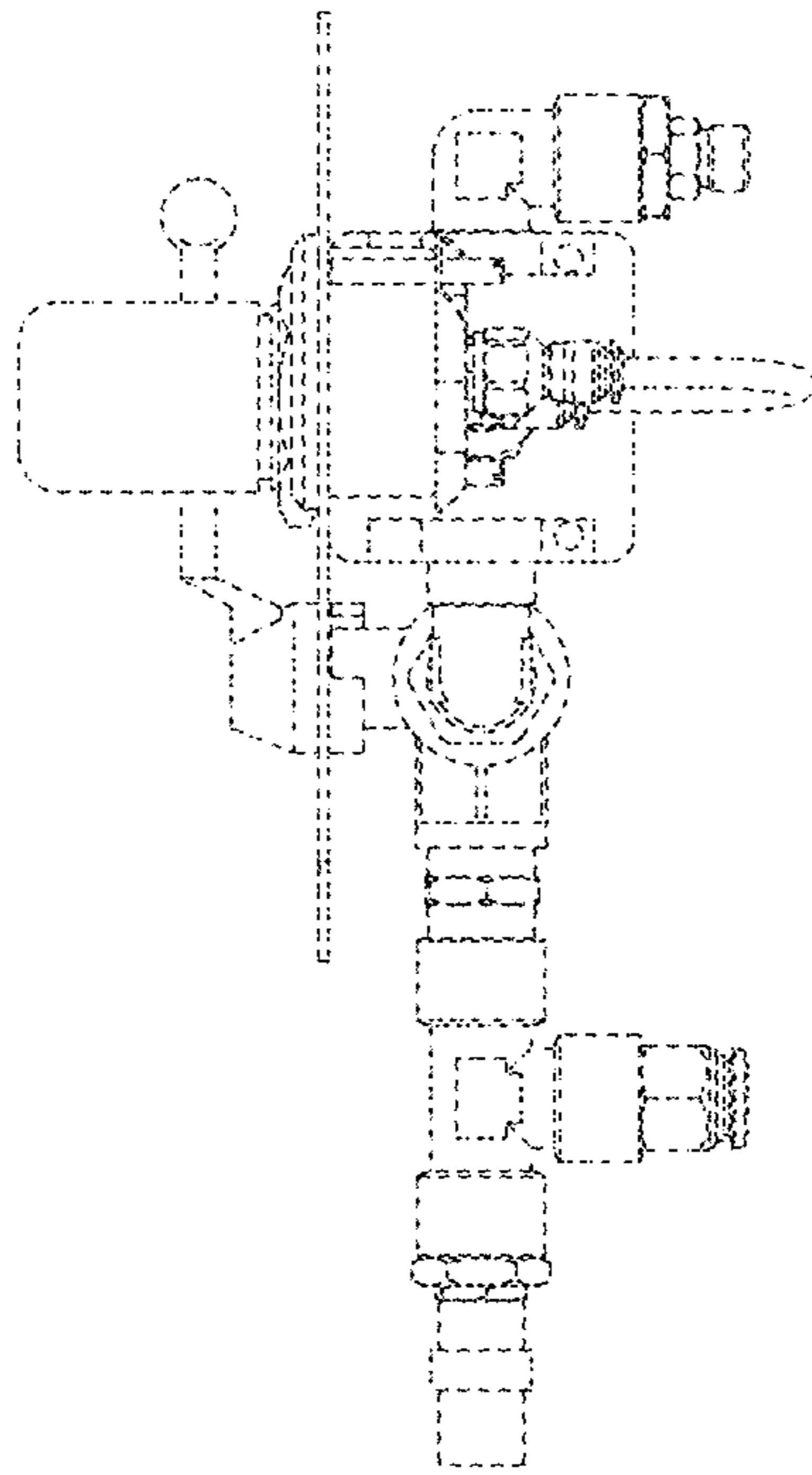


FIG.5

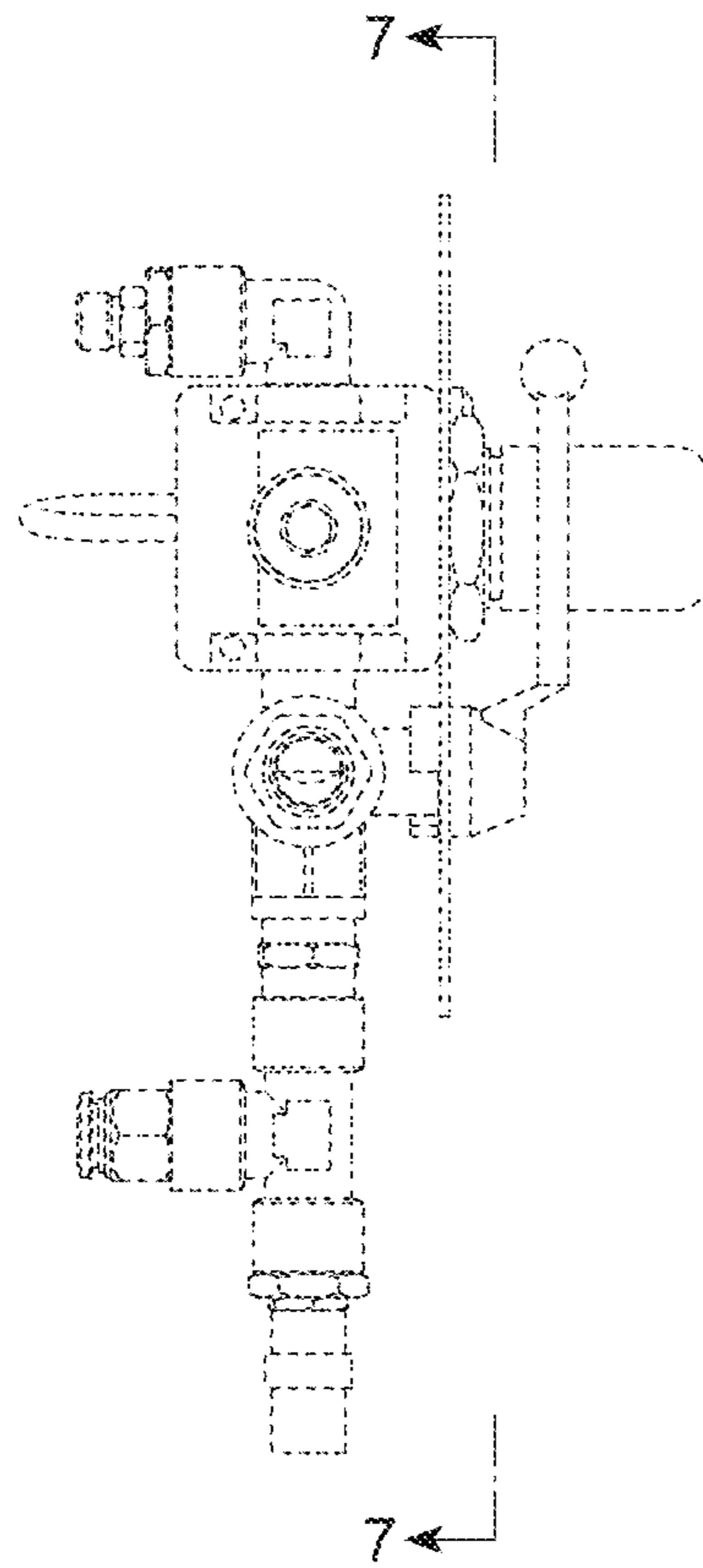


FIG. 6

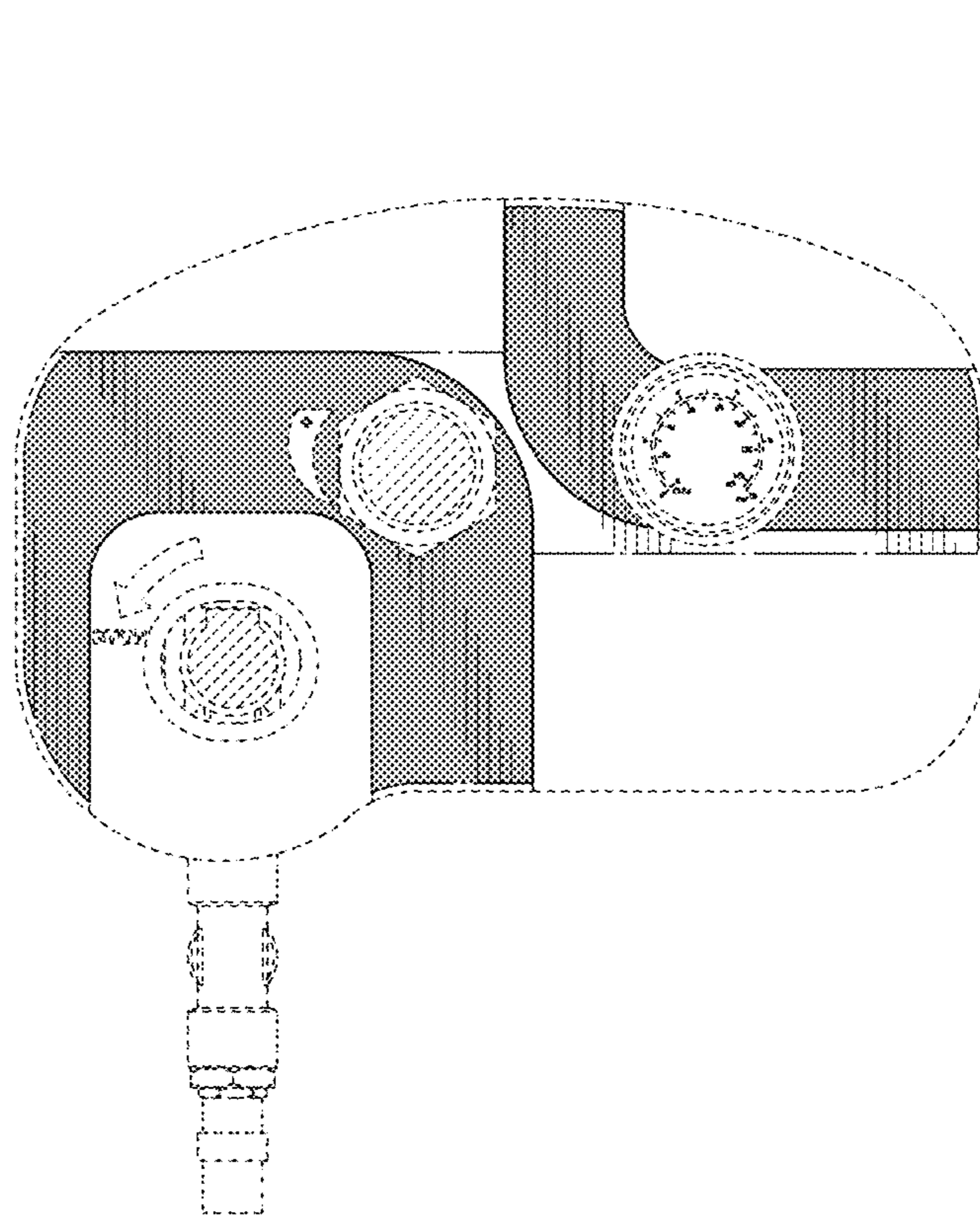


FIG.7

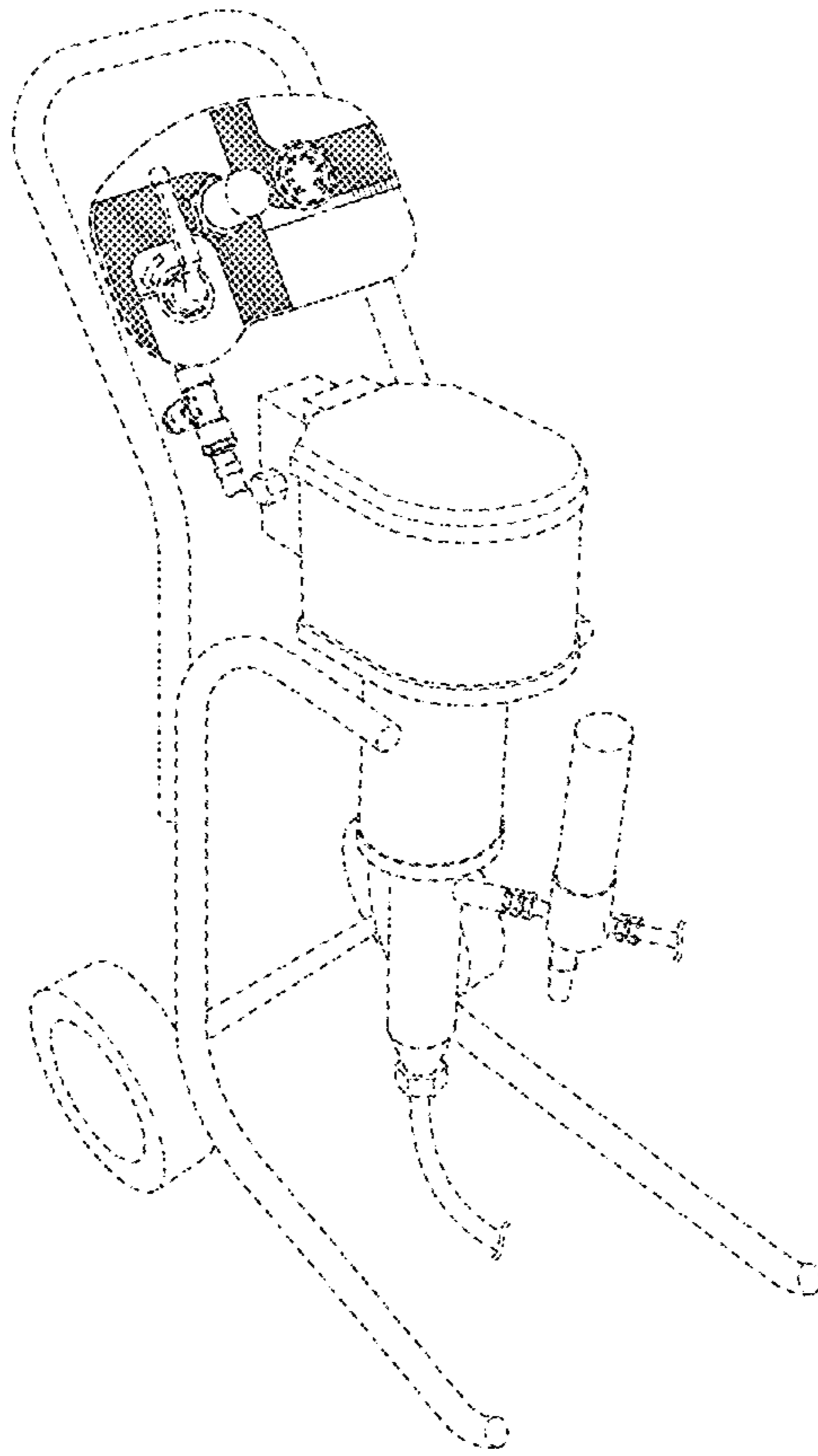


FIG.8