



US00D794093S

(12) **United States Design Patent**
Yoon et al.

(10) **Patent No.:** **US D794,093 S**

(45) **Date of Patent:** **** Aug. 8, 2017**

(54) **ICE MACHINE HANDLE FOR REFRIGERATOR**

F25C 2700/12; F25C 2700/14; F25C 5/12; F25C 5/187

See application file for complete search history.

(71) Applicant: **SAMSUNG ELECTRONICS CO., LTD.**, Suwon-si (KR)

(56) **References Cited**

U.S. PATENT DOCUMENTS

(72) Inventors: **Se-Lim Yoon**, Seongnam-si (KR); **Byeong-Soo Kim**, Seoul (KR); **Hyun-II Lee**, Seoul (KR); **Sang-Woon Jeon**, Seoul (KR)

| | | | | | | |
|----------|---|---|---------|----------|-------|--------|
| D440,238 | S | * | 4/2001 | Alvring | | D15/89 |
| D455,161 | S | * | 4/2002 | Choi | | D15/89 |
| D653,684 | S | * | 2/2012 | McDonald | | D15/89 |
| D685,012 | S | * | 6/2013 | Meda | | D15/89 |
| D719,987 | S | * | 12/2014 | Lee | | D15/89 |
| D738,940 | S | * | 9/2015 | Shin | | D15/89 |
| D740,862 | S | * | 10/2015 | Park | | D15/89 |

(Continued)

(73) Assignee: **Samsung Electronics Co., Ltd.**, Suwon-si (KR)

FOREIGN PATENT DOCUMENTS

(**) Term: **15 Years**

| | | |
|----|-----------------|--------|
| KR | 30-2002-0024816 | 9/2003 |
| KR | 30-2008-0039462 | 6/2009 |

(Continued)

(21) Appl. No.: **29/568,869**

Primary Examiner — Ian Simmons
Assistant Examiner — Khawaja Anwar

(22) Filed: **Jun. 22, 2016**

(74) *Attorney, Agent, or Firm* — NSIP Law

(30) **Foreign Application Priority Data**

Dec. 24, 2015 (KR) 30-2015-0066196

(57) **CLAIM**

(51) **LOC (10) Cl.** **15-07**

We claim the ornamental design for an ice machine handle for refrigerator, as shown and described.

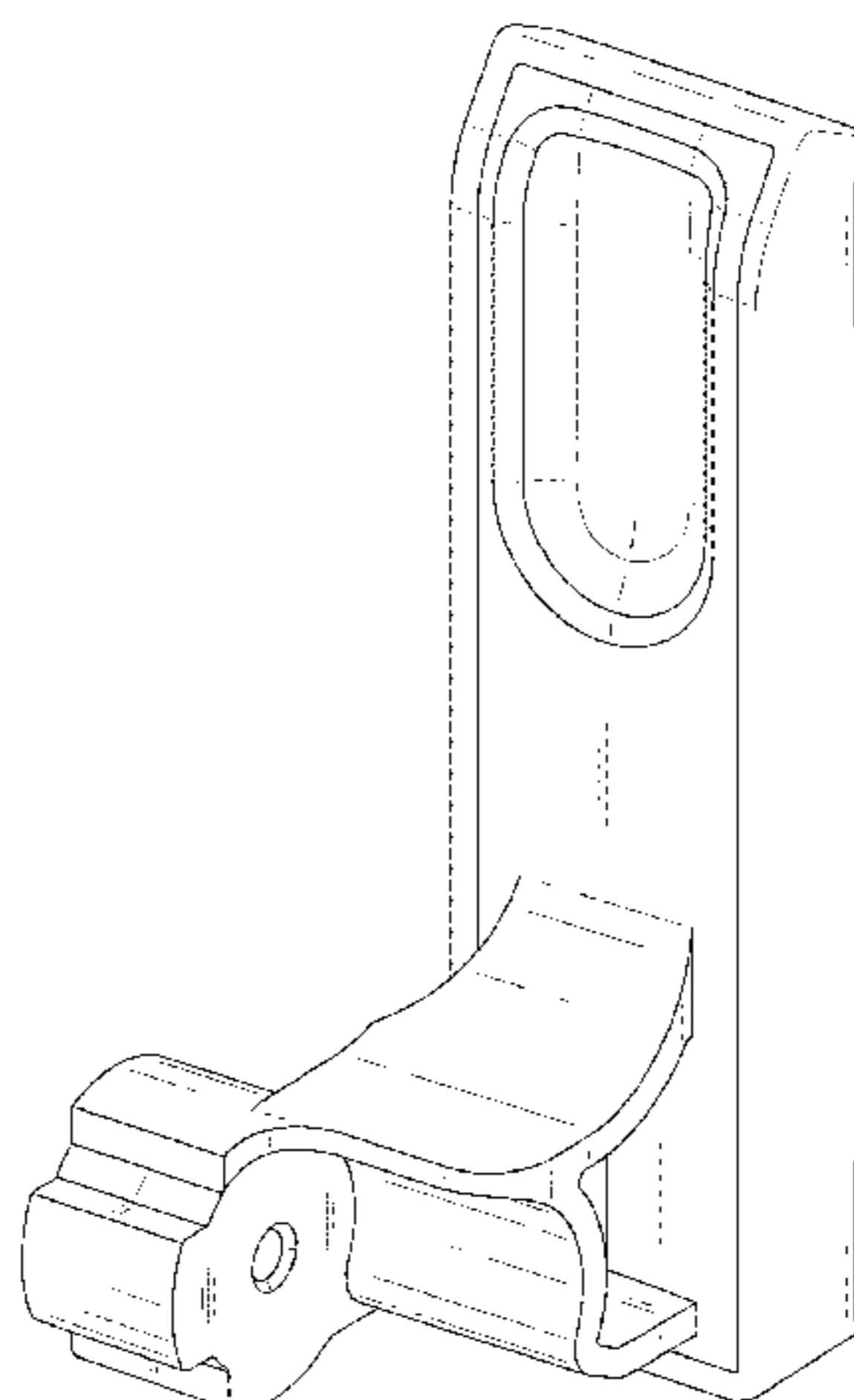
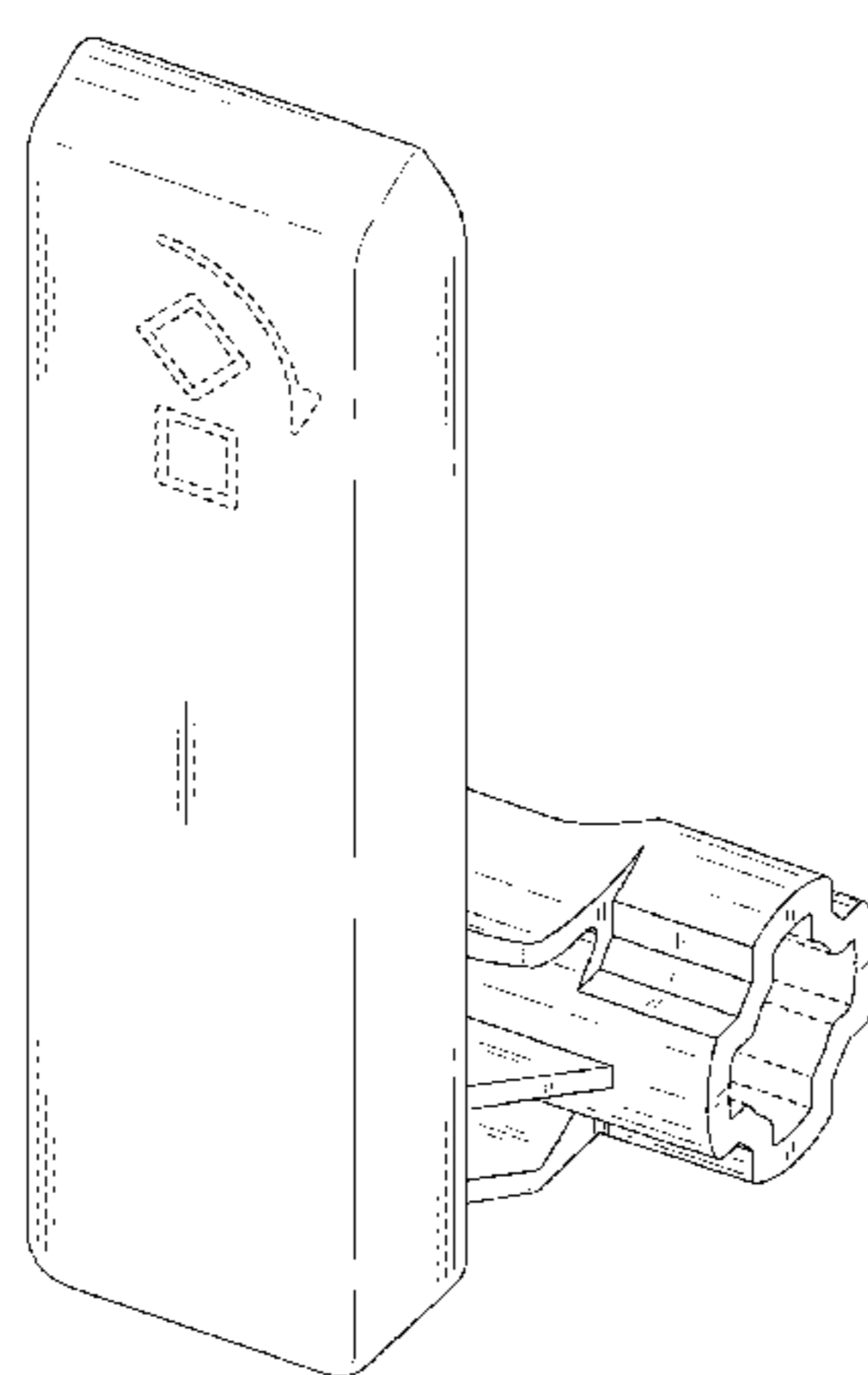
(52) **U.S. Cl.**
USPC **D15/89**

DESCRIPTION

(58) **Field of Classification Search**
USPC D15/79-91
CPC F25C 5/005; F25C 2400/10; F25C 5/182; F25C 1/00; F25C 1/04; F25C 2400/14; F25C 5/007; F25C 5/18; F25C 1/10; F25C 1/225; F25C 1/12; F25C 2305/022; F25C 2400/04; F25C 2500/02; F25C 5/002; F25C 5/02; F25C 5/046; F25C 1/20; F25C 2500/06; F25C 1/18; F25C 2300/00; F25C 2305/00; F25C 2400/06; F25C 2400/08; F25C 2400/12; F25C 2500/00; F25C 2700/04; F25C 2700/10;

FIG. 1 is a front perspective view of an ice machine handle for refrigerator showing our new design;
FIG. 2 is a front view thereof;
FIG. 3 is a rear view thereof;
FIG. 4 is a left-side view thereof;
FIG. 5 is a right-side view thereof;
FIG. 6 is a top view thereof;
FIG. 7 is a bottom view thereof;
FIG. 8 is a rear perspective view thereof; and,
FIG. 9 is front perspective view of the ice machine handle for refrigerator in which an ice machine is provided in broken lines to illustrate an example environment.

(Continued)



The broken lines in the figures depict environmental subject matter and form no part of the claimed design.

1 Claim, 9 Drawing Sheets

(56) **References Cited**

U.S. PATENT DOCUMENTS

D748,167 S * 1/2016 Lee F25D 25/025
D15/89
D749,654 S * 2/2016 Lee F25D 23/04
D15/89
D765,744 S * 9/2016 Park D15/89
D768,212 S * 10/2016 Lee D15/89

FOREIGN PATENT DOCUMENTS

KR 30-2008-0041469 7/2009
KR 30-2012-0054236 3/2014
KR 30-2012-0054236 4/2014

* cited by examiner

FIG. 1

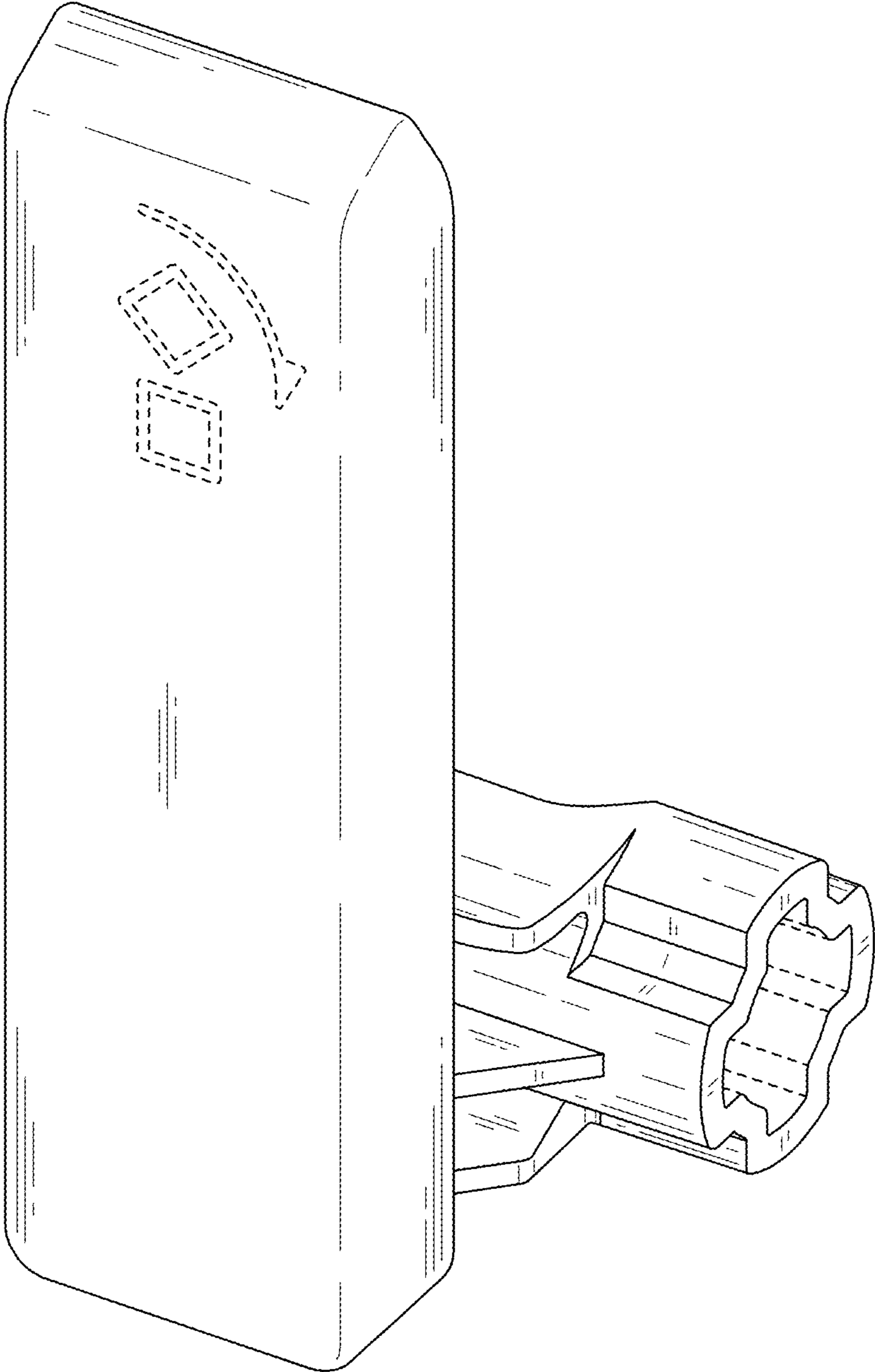


FIG. 2

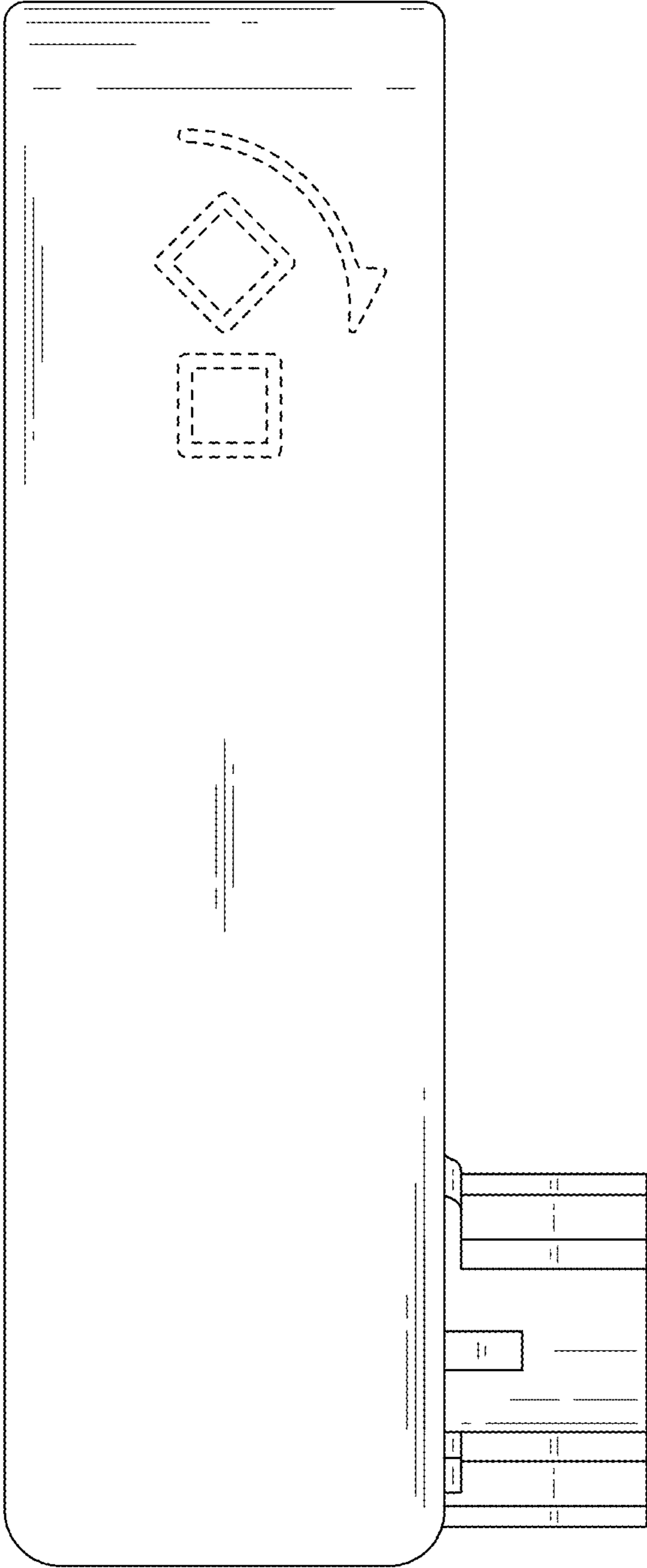


FIG. 3

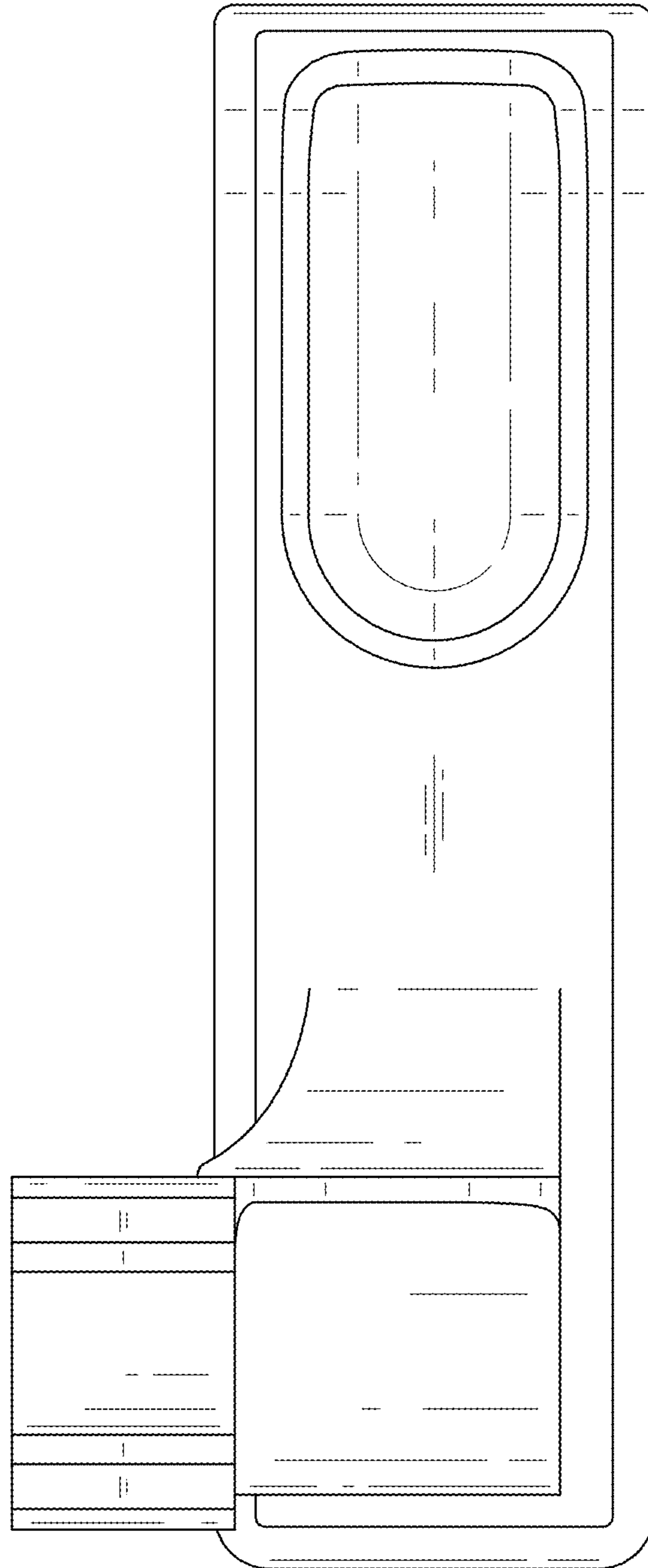


FIG. 4

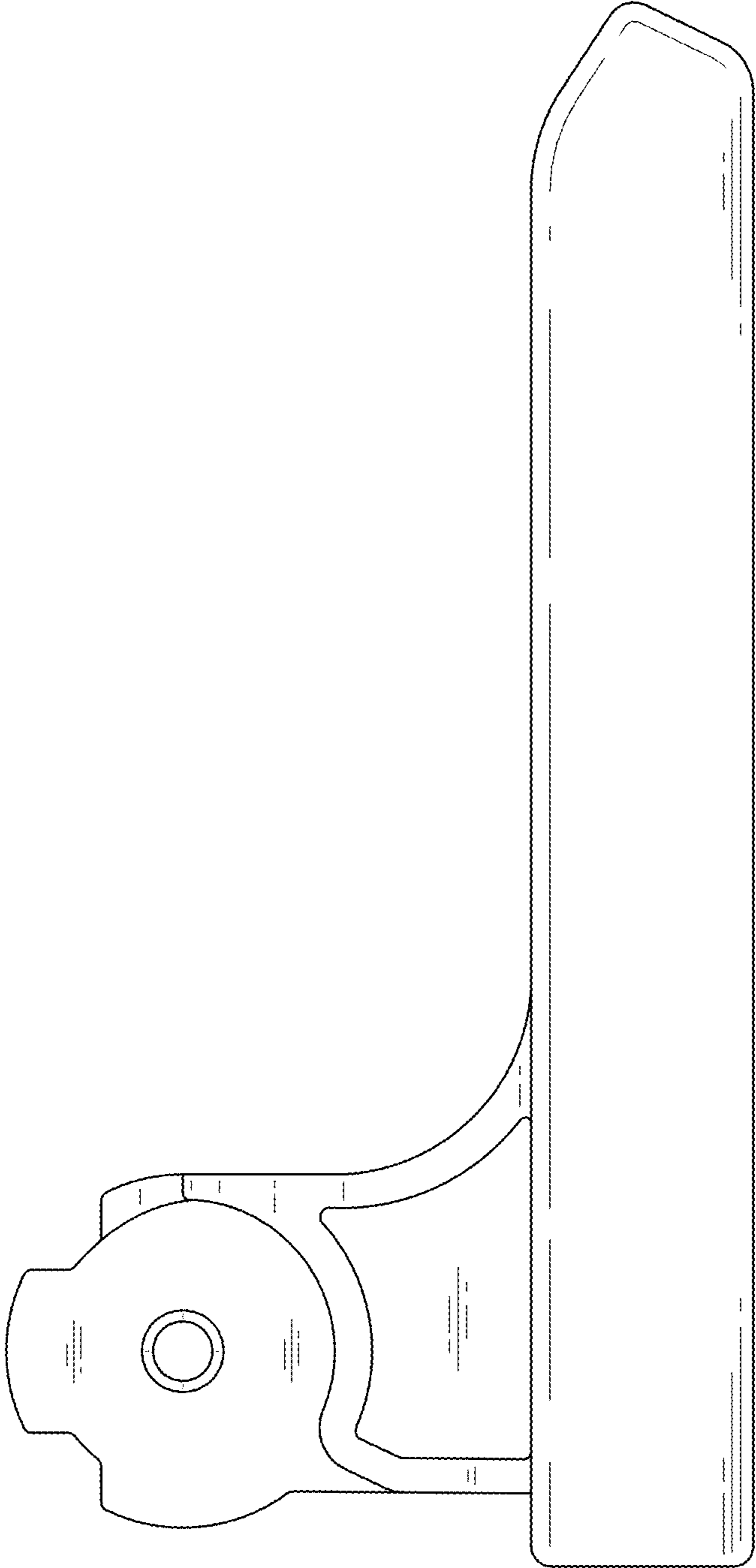


FIG. 5

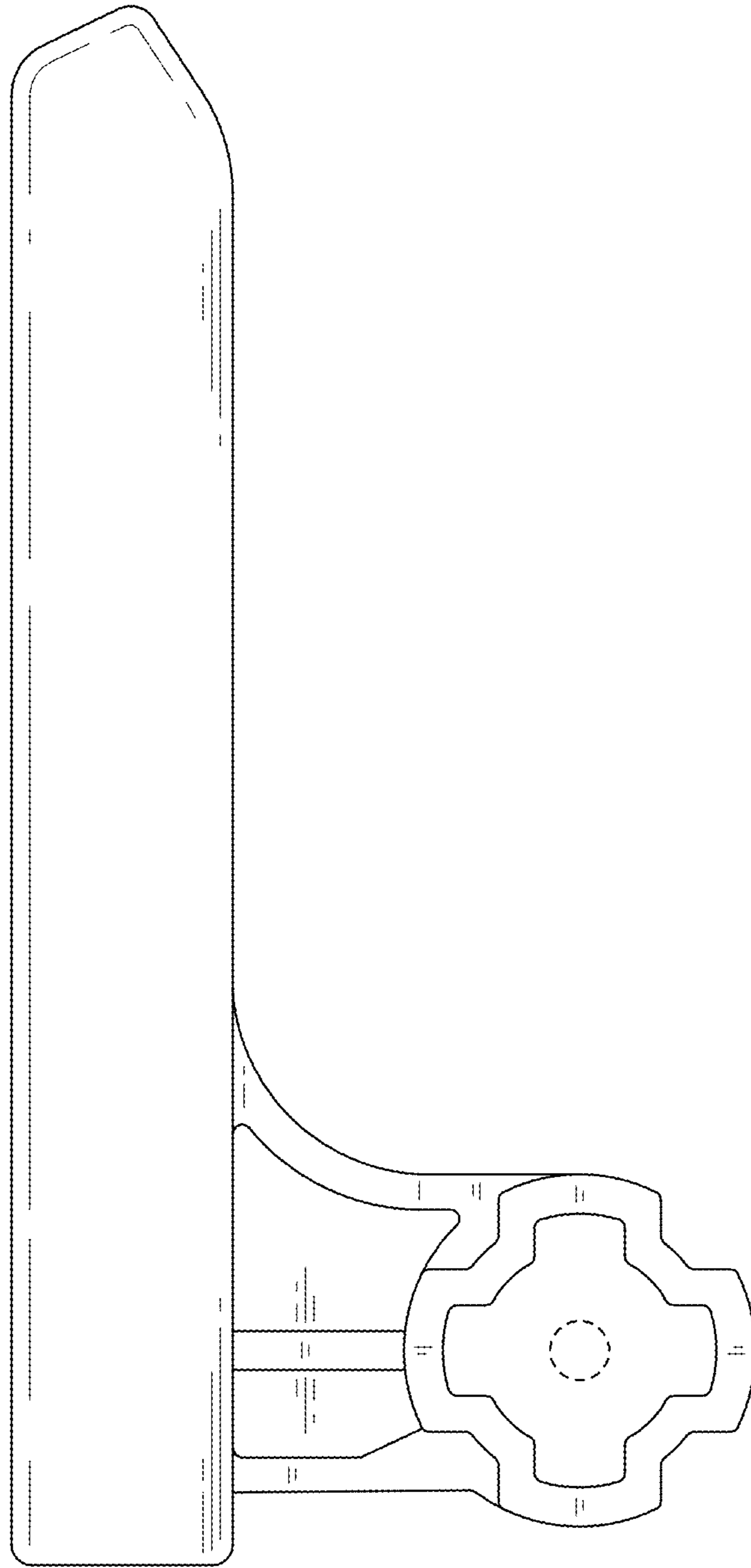


FIG. 6

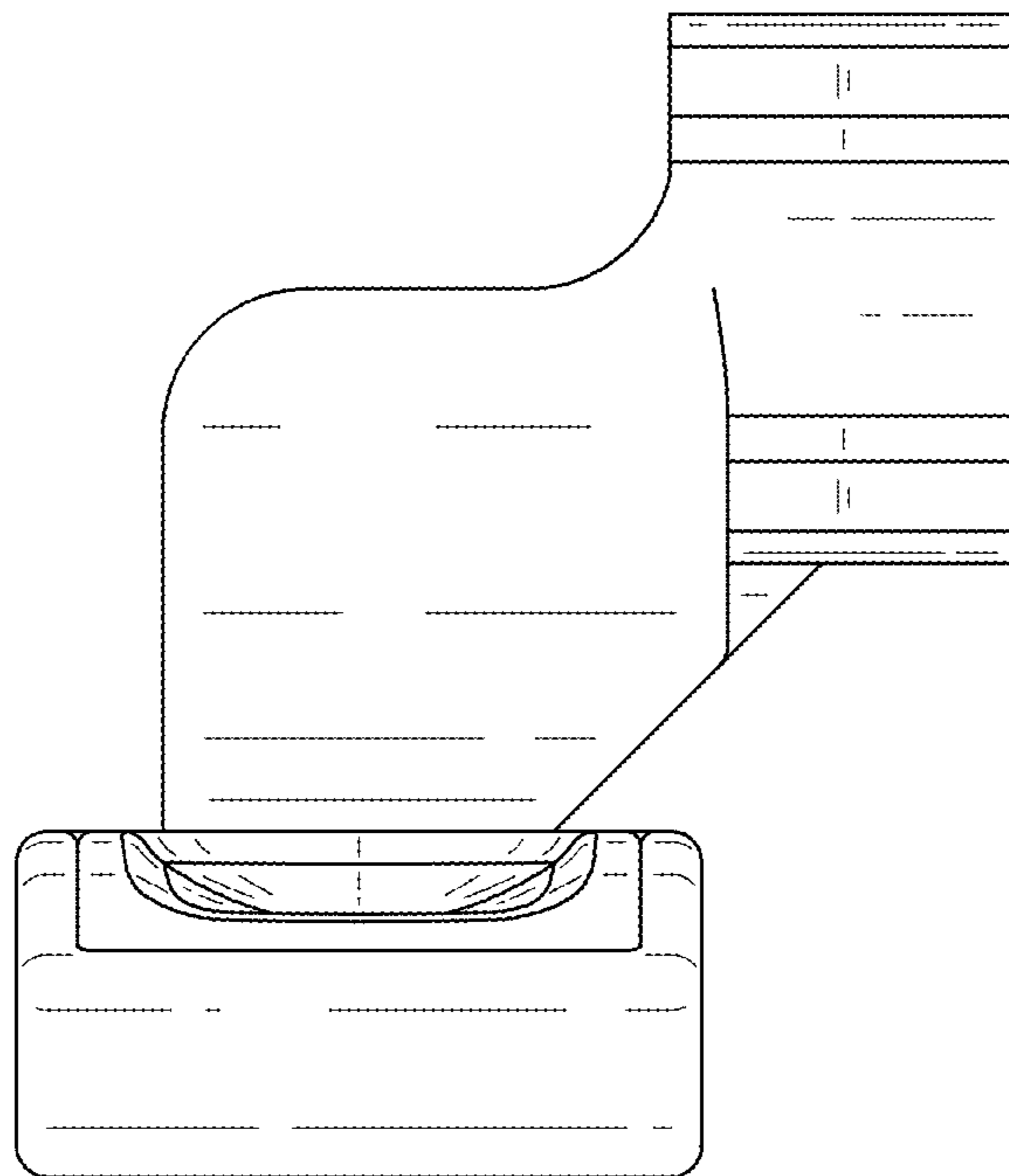


FIG. 7

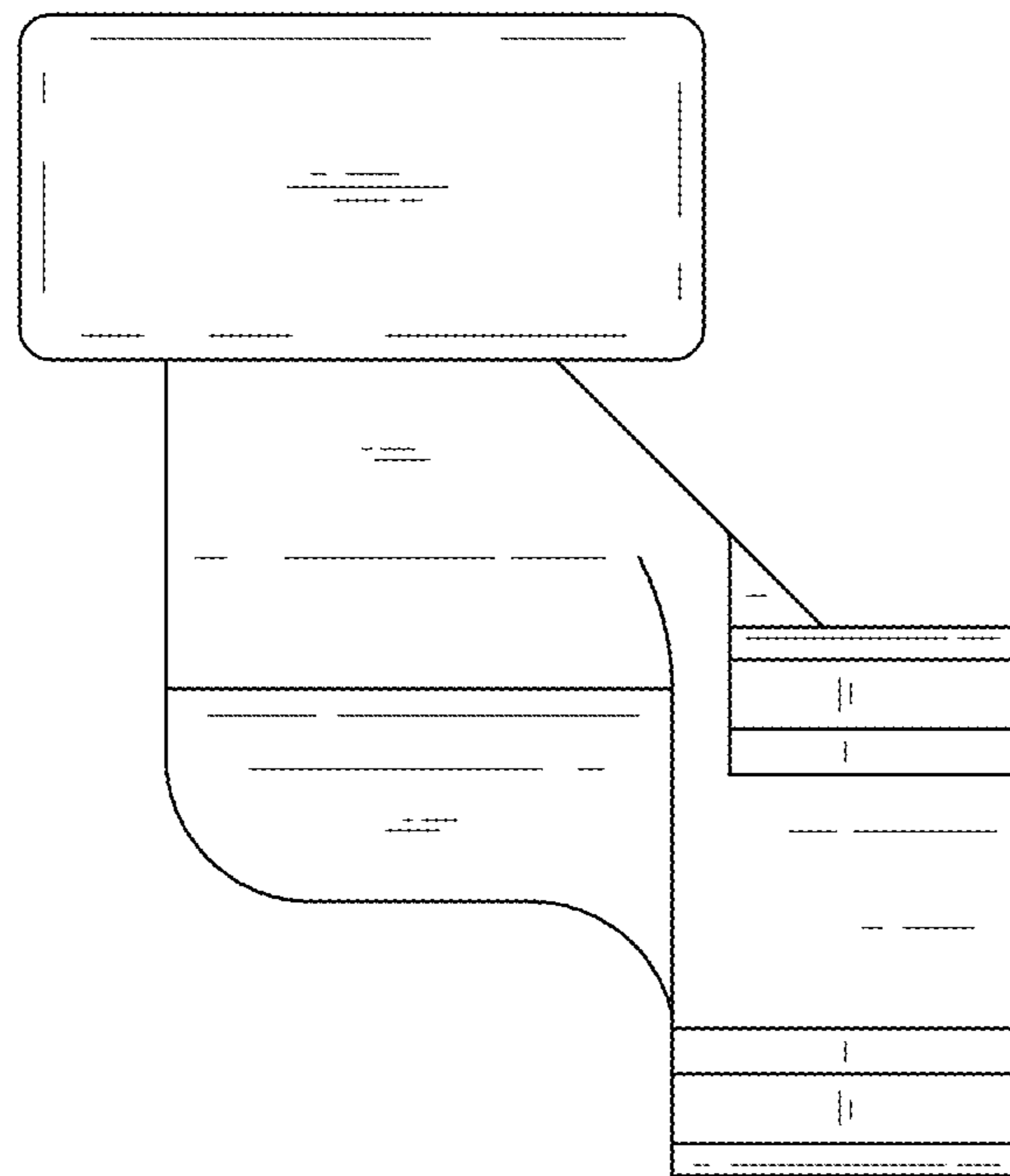


FIG. 8

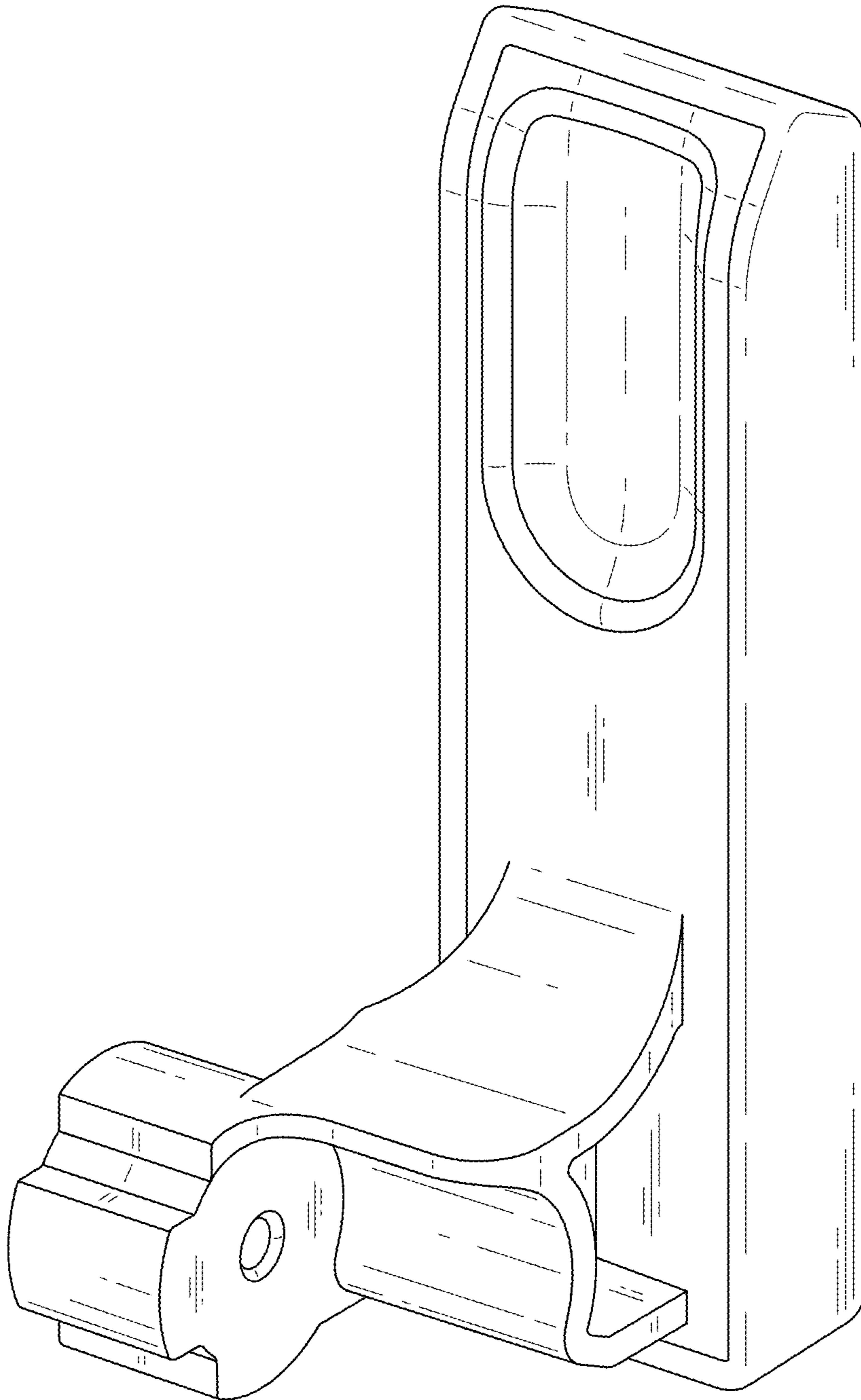


FIG. 9

