



US00D794092S

(12) **United States Design Patent** (10) **Patent No.:** **US D794,092 S**
Lee et al. (45) **Date of Patent:** **** Aug. 8, 2017**

(54) **REFRIGERATOR**

F25D 2317/043; F25D 23/003; F25D 23/065; F25D 2700/123;

(71) Applicant: **SAMSUNG ELECTRONICS CO., LTD.**, Suwon-si (KR)

(Continued)

(72) Inventors: **Junkyo Lee**, Seongnam-si (KR); **Kisoo Kim**, Gunpo-si (KR); **Dajeong Kim**, Seoul (KR)

(56) **References Cited**

U.S. PATENT DOCUMENTS

(73) Assignee: **SAMSUNG ELECTRONICS CO., LTD.**, Gyeonggi-Do (KR)

D754,220 S * 4/2016 Seo D15/89
D754,760 S * 4/2016 Seo D15/89

(Continued)

(**) Term: **15 Years**

Primary Examiner — Ian Simmons

Assistant Examiner — Khawaja Anwar

(21) Appl. No.: **29/568,260**

(74) *Attorney, Agent, or Firm* — Cantor Colburn LLP

(22) Filed: **Jun. 16, 2016**

(57) **CLAIM**

(30) **Foreign Application Priority Data**

The ornamental design for a refrigerator, as shown and described.

Dec. 24, 2015 (KR) 30-2015-0066231

(51) **LOC (10) Cl.** **15-07**

DESCRIPTION

(52) **U.S. Cl.**

USPC **D15/89**

(58) **Field of Classification Search**

USPC D15/79-91

CPC F25D 27/00; F25D 2323/021; F25D 23/00;

F25D 23/02; F25D 2400/361; F25D

2500/06; F25D 25/025; F25D 29/00;

F25D 29/005; F25D 11/00; F25D 11/02;

F25D 17/062; F25D 17/067; F25D 17/08;

F25D 21/04; F25D 2201/10; F25D

2300/00; F25D 2325/021; F25D 23/062;

F25D 23/12; F25D 2400/02; F25D

2400/40; F25D 25/02; F25D 25/024;

F25D 2600/00; F25D 2700/00; F25D

2700/06; F25D 2700/08; F25D 2700/16;

F25D 23/021; F25D 11/022; F25D

17/065; F25D 23/028; F25D 23/067;

F25D 2700/02; F25D 11/025; F25D

17/042; F25D 23/04; F25D 23/10; F25D

25/04; F25D 15/00; F25D 17/045; F25D

2400/36; F25D 11/027; F25D 17/02;

FIG. 1 is a perspective view of a refrigerator, showing our new design;

FIG. 2 is a front view thereof;

FIG. 3 is a rear view thereof;

FIG. 4 is a side view thereof;

FIG. 5 is another side view thereof;

FIG. 6 is a top view thereof;

FIG. 7 is a bottom view thereof;

FIG. 8 is an enlarged view of the encircled portion 8 of FIG. 1;

FIG. 9 is a perspective view of a dispenser portion of the refrigerator;

FIG. 10 is a front view thereof;

FIG. 11 is a rear view thereof;

FIG. 12 is a side view thereof;

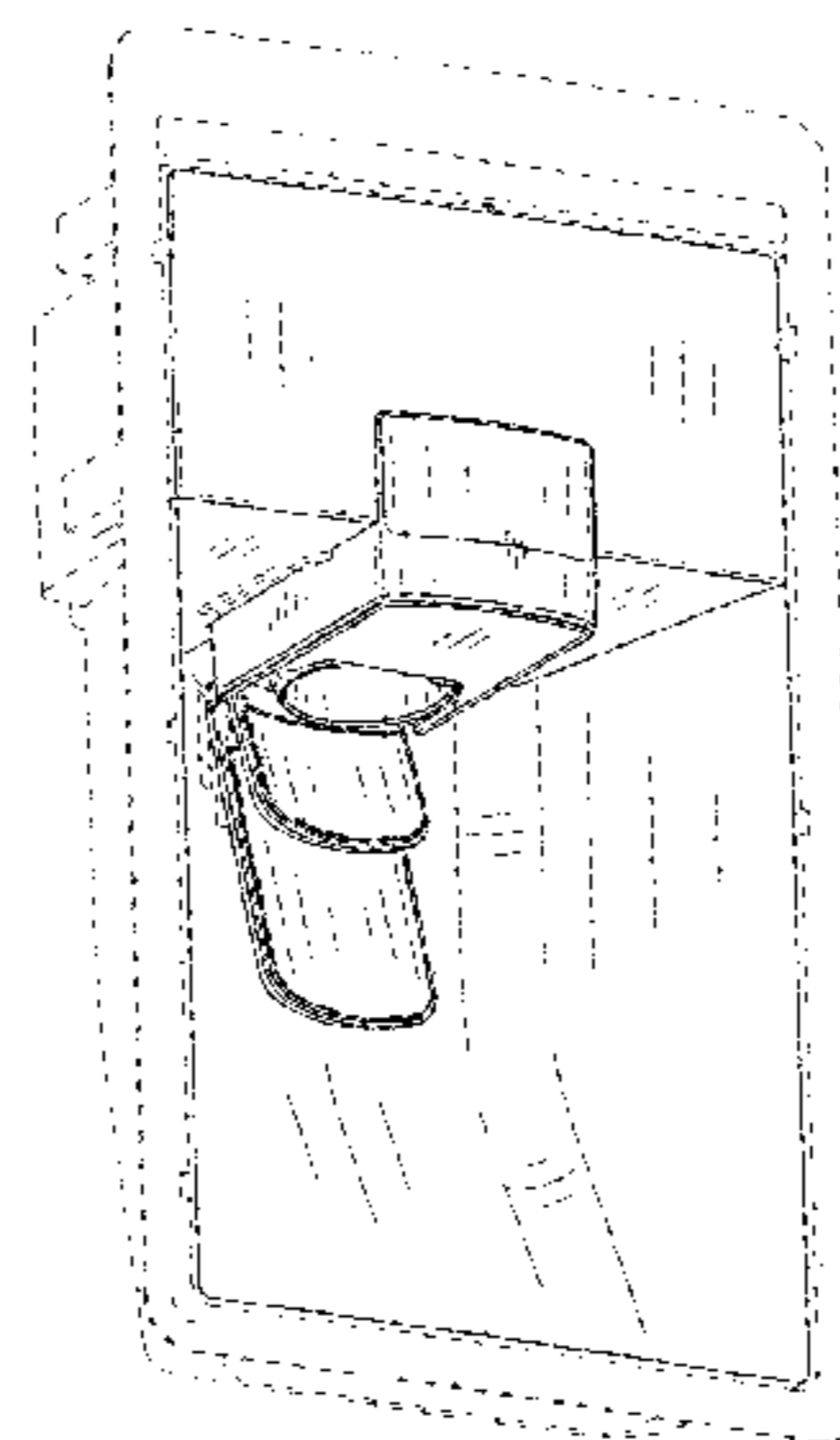
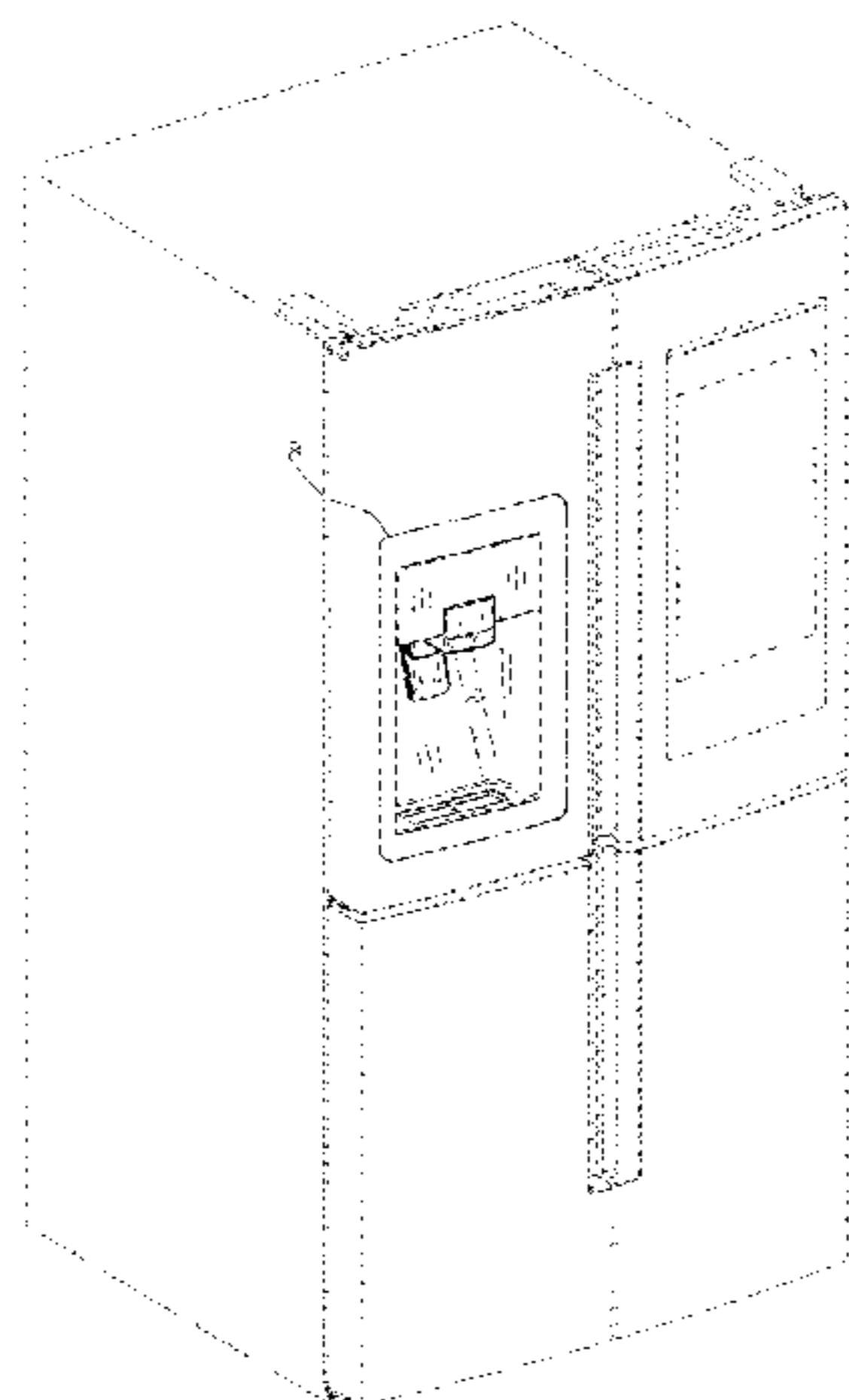
FIG. 13 is another side view thereof;

FIG. 14 is a top view thereof; and,

FIG. 15 is a bottom view thereof.

The broken lines illustrating portions of the refrigerator form no part of the claimed design.

(Continued)



The dot-dot-dash broken lines encircling enlargement portions of the design form no part of the claimed design.

1 Claim, 14 Drawing Sheets

(58) Field of Classification Search

CPC F25D 2317/061; F25D 23/069; F25D
23/087; F25D 11/006

See application file for complete search history.

(56) References Cited

U.S. PATENT DOCUMENTS

D756,424	S	*	5/2016	Seo	D15/89
D756,426	S	*	5/2016	Seo	D15/89
D757,128	S	*	5/2016	Seo	D15/89
D761,886	S	*	7/2016	Seo	D15/89
D761,887	S	*	7/2016	Seo	D15/89
D761,888	S	*	7/2016	Seo	D15/89
D761,889	S	*	7/2016	Seo	D15/89
D761,890	S	*	7/2016	Seo	D15/89
D761,891	S	*	7/2016	Seo	D15/89
D762,251	S	*	7/2016	Seo	D15/89
D763,329	S	*	8/2016	Seo	D15/89
D765,152	S	*	8/2016	Shrader	D15/89
D765,153	S	*	8/2016	Shrader	D15/89
D768,213	S	*	10/2016	Lee	D15/89
D771,159	S	*	11/2016	Jeon	D15/89

* cited by examiner

FIG. 1

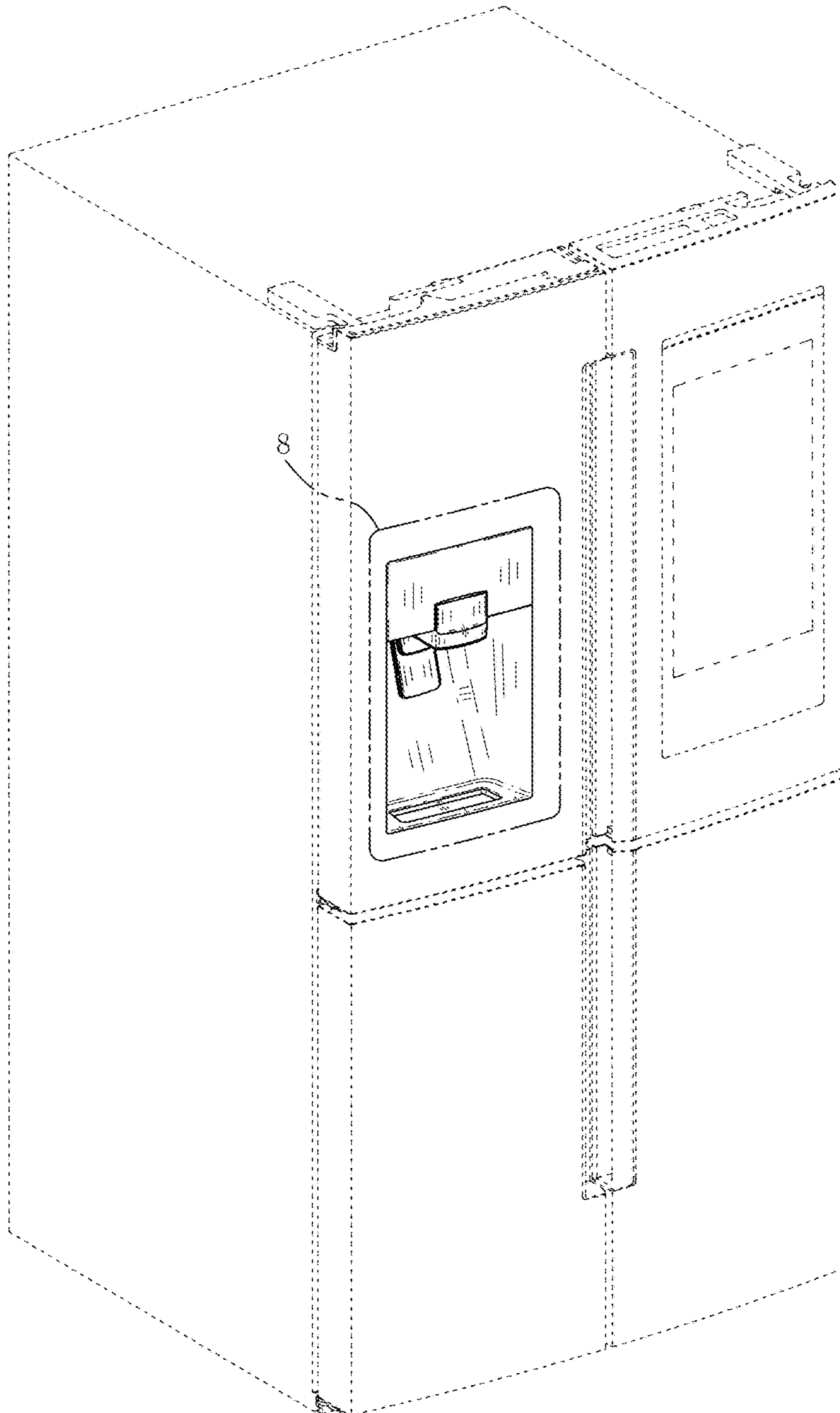


FIG. 2

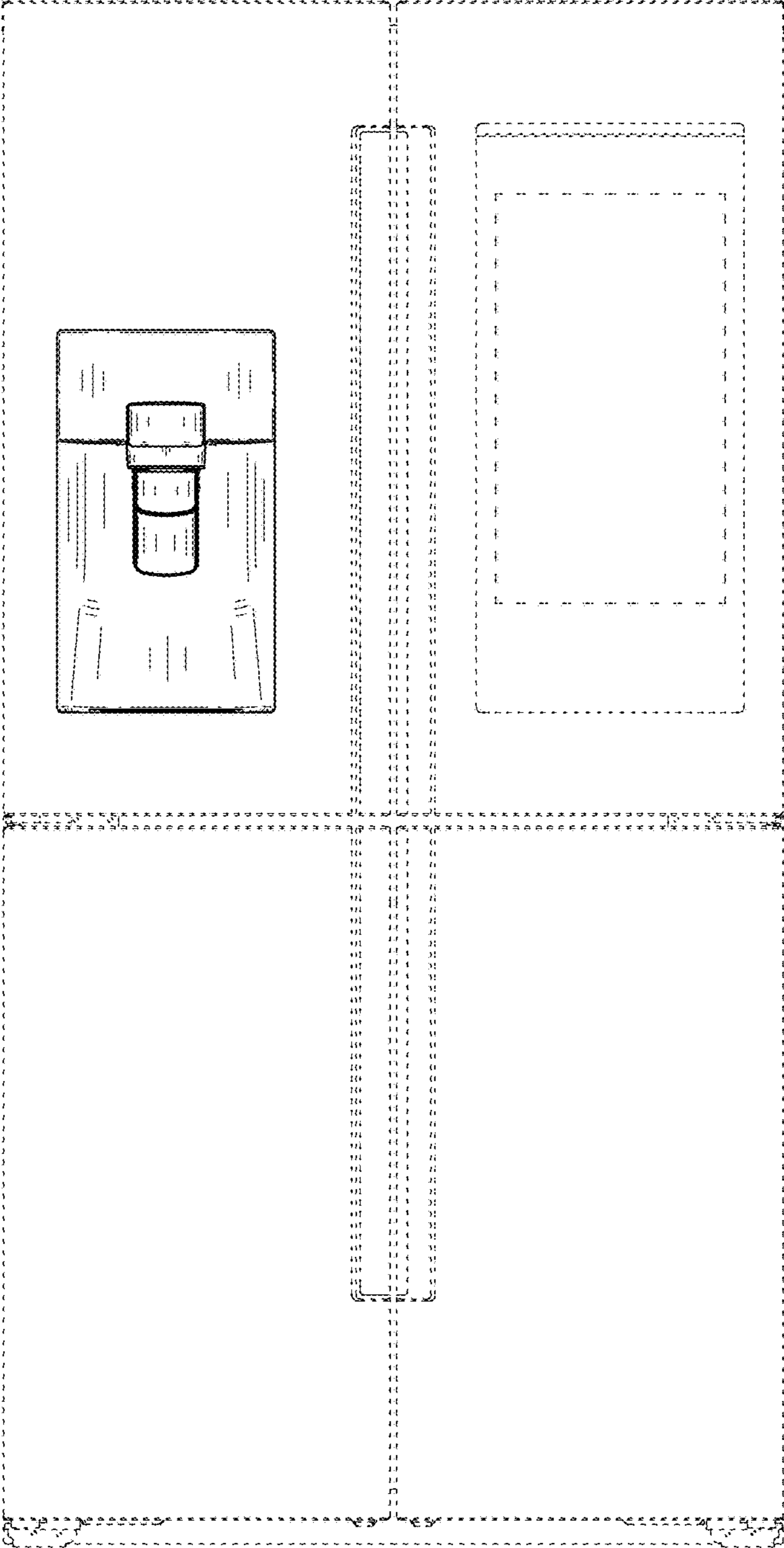


FIG. 3



FIG. 4

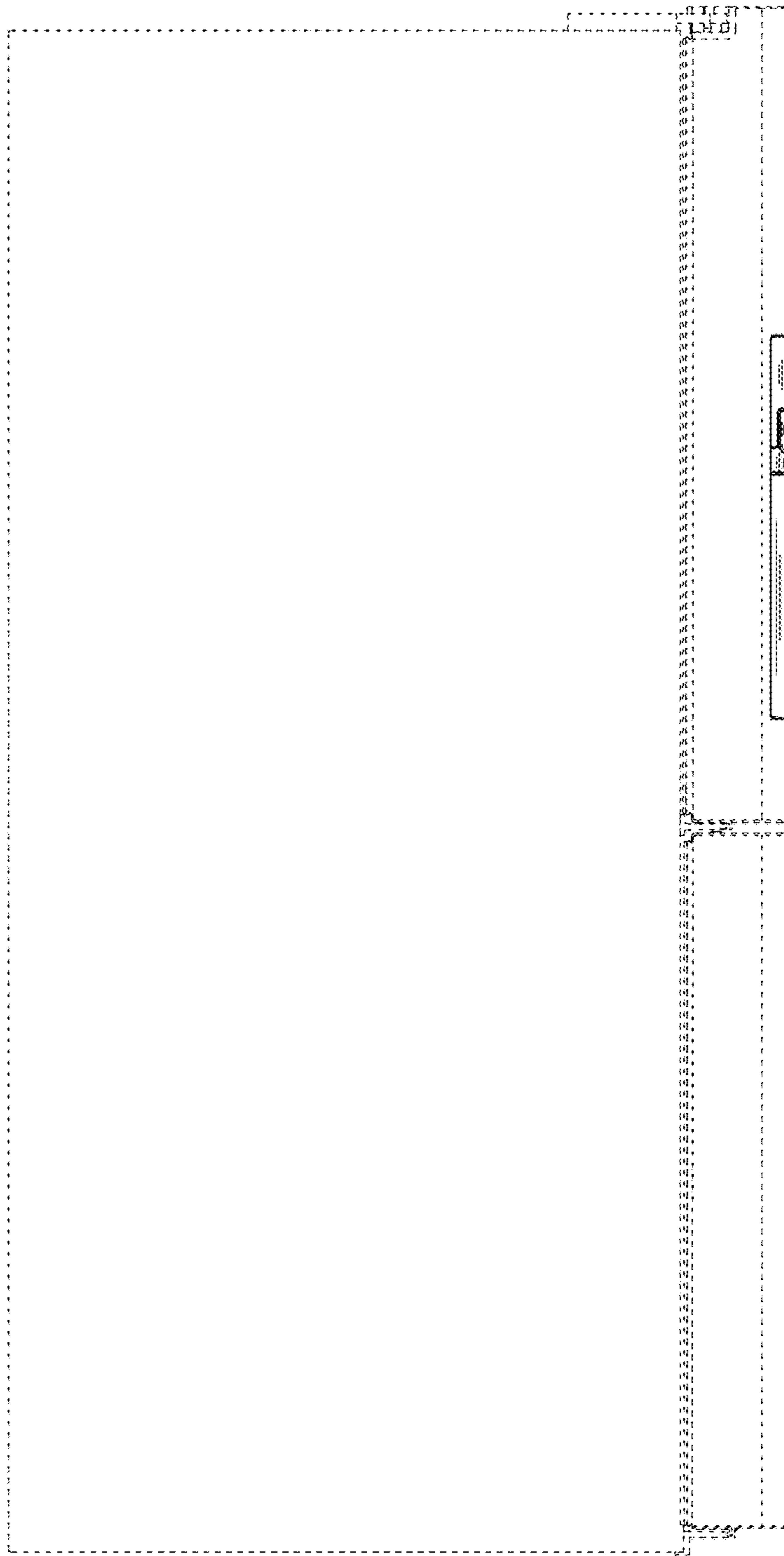


FIG. 5

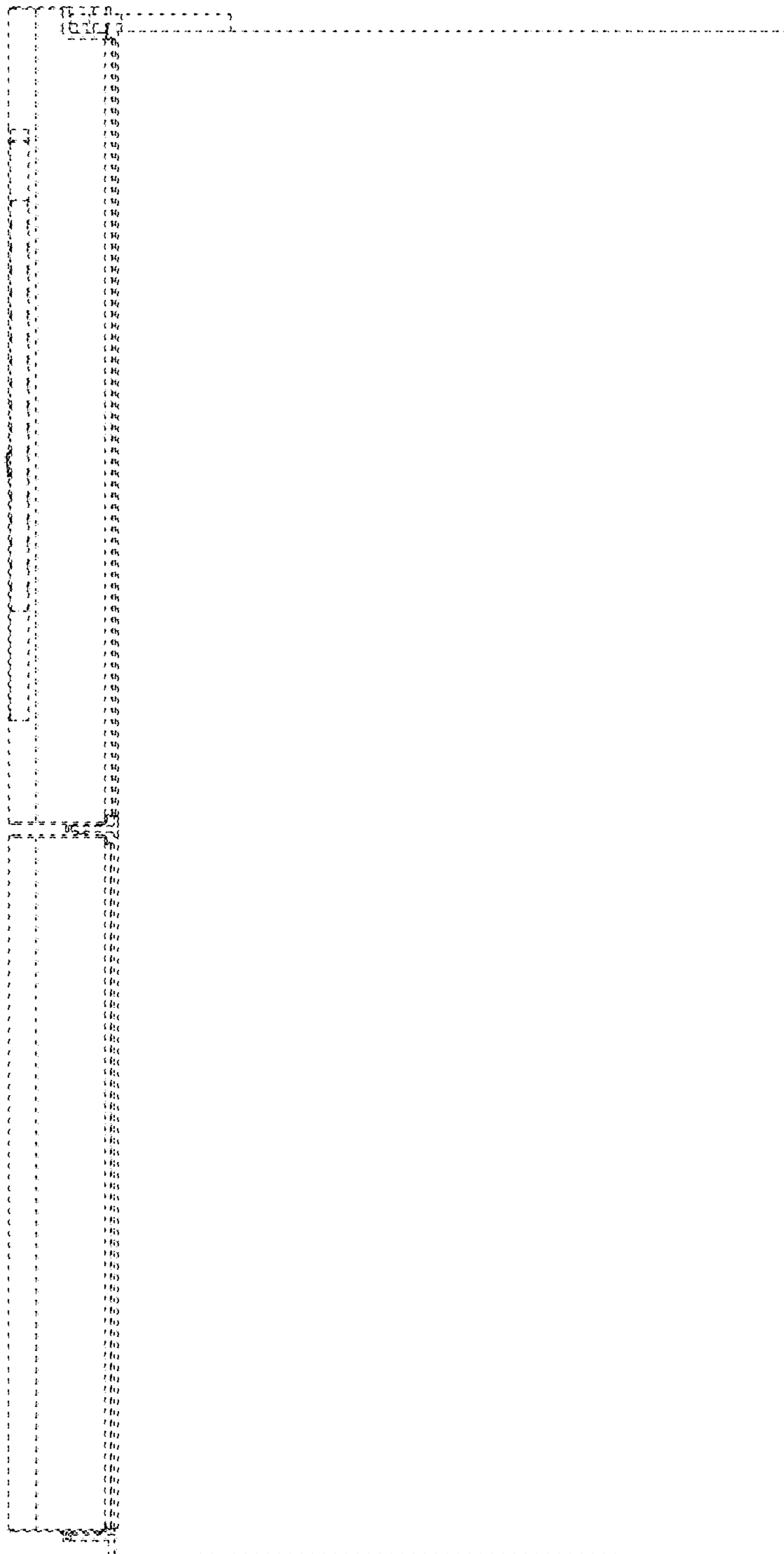


FIG. 6

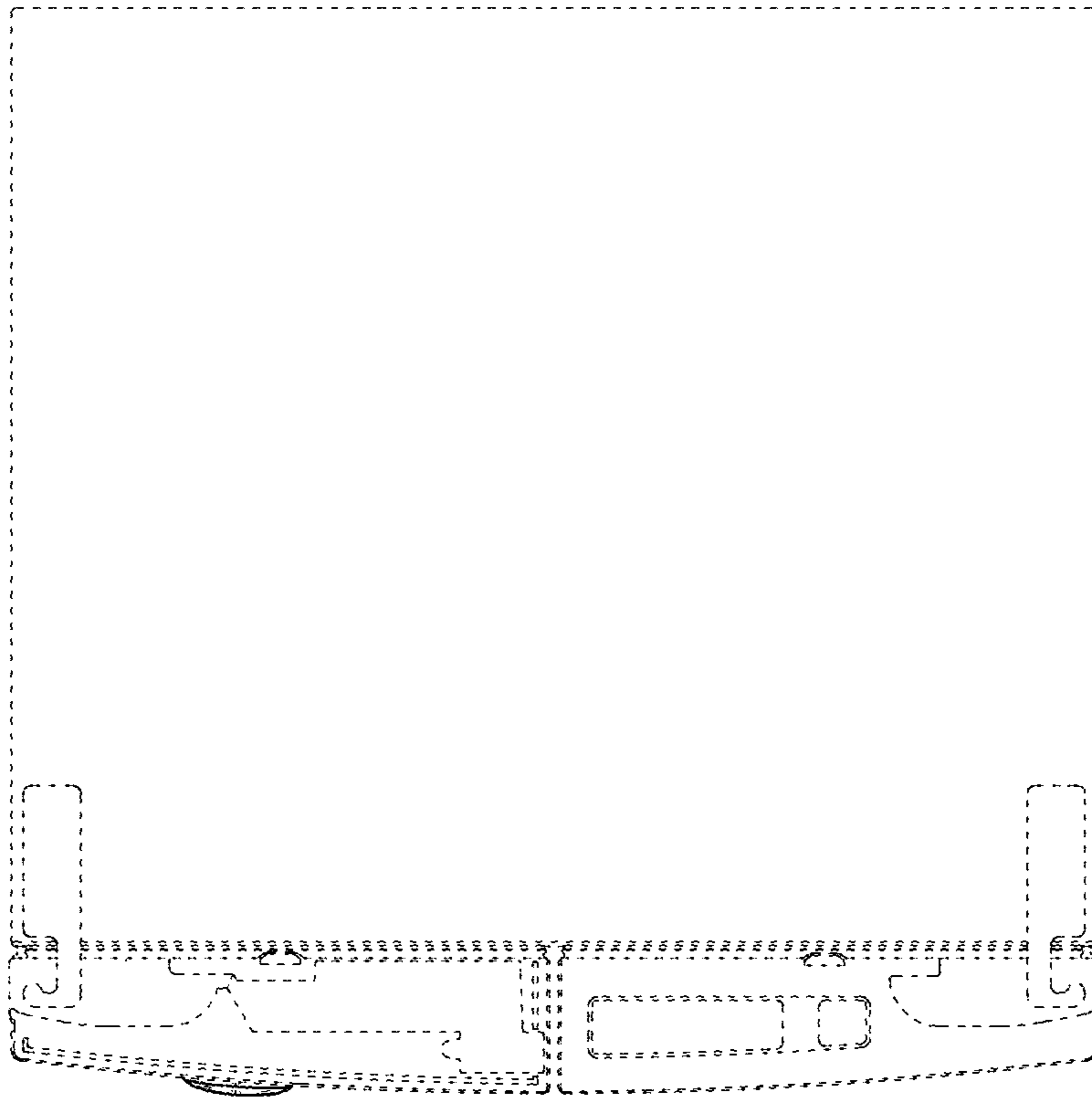


FIG. 7

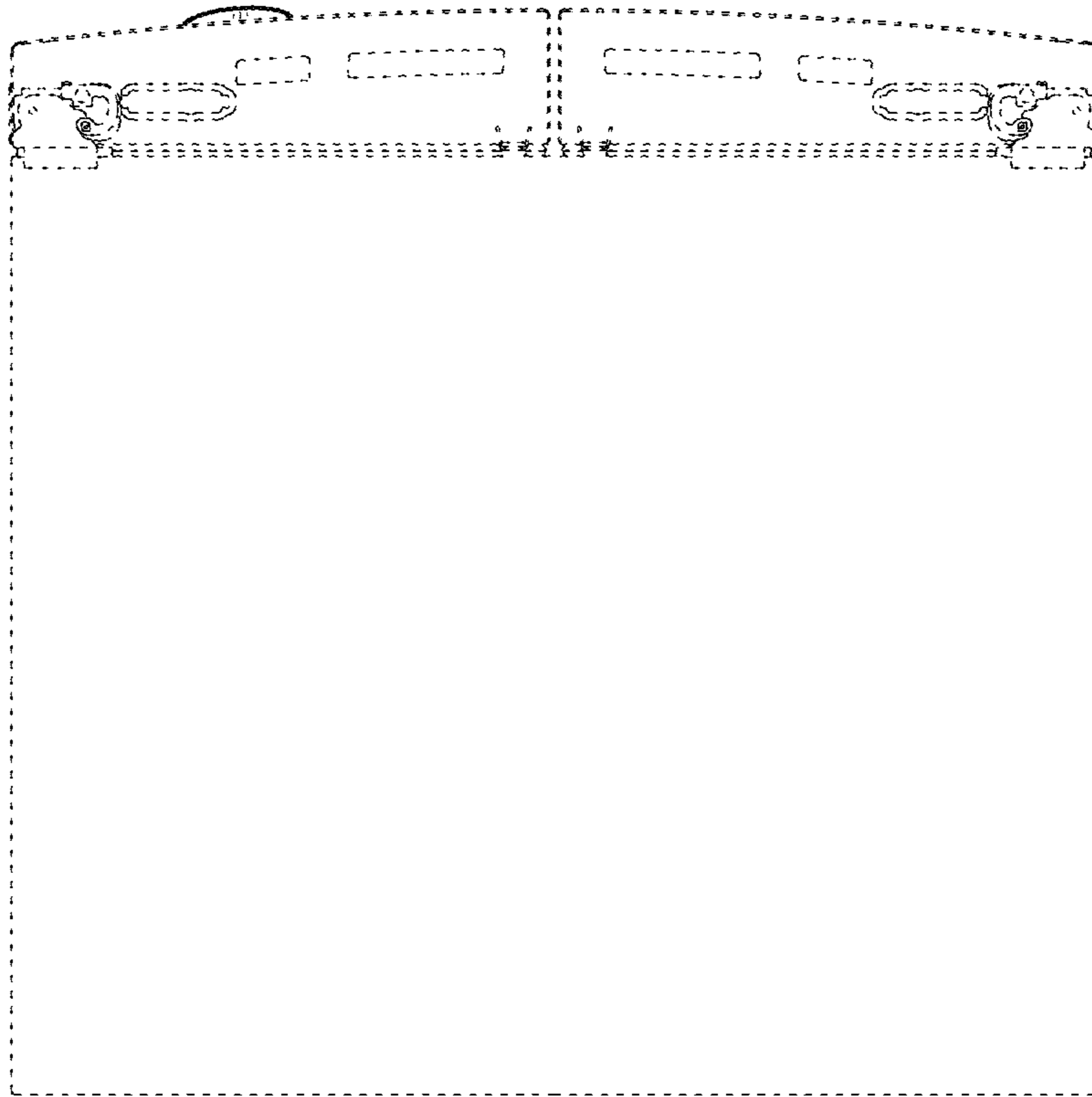


FIG. 8

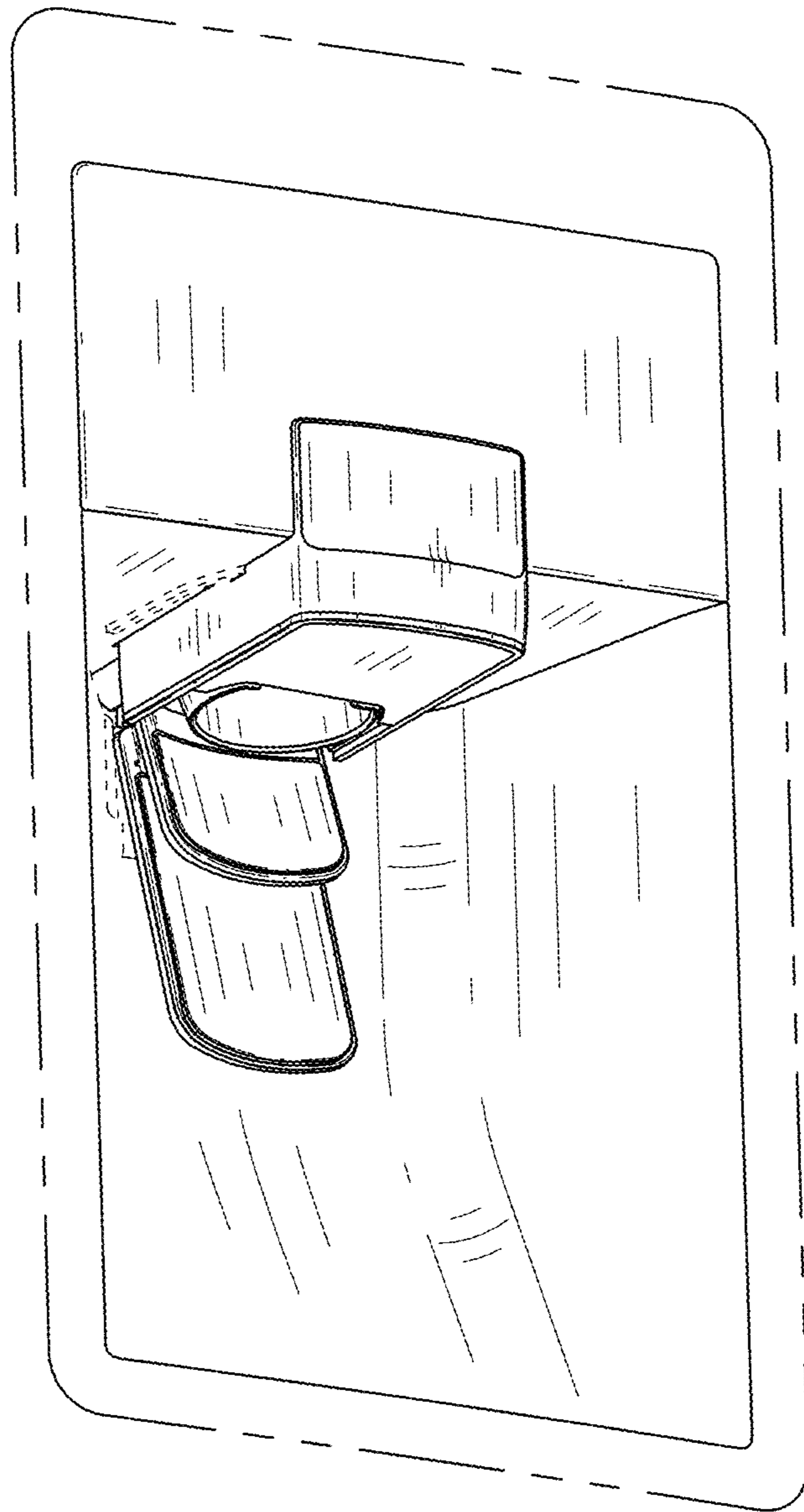


FIG. 9

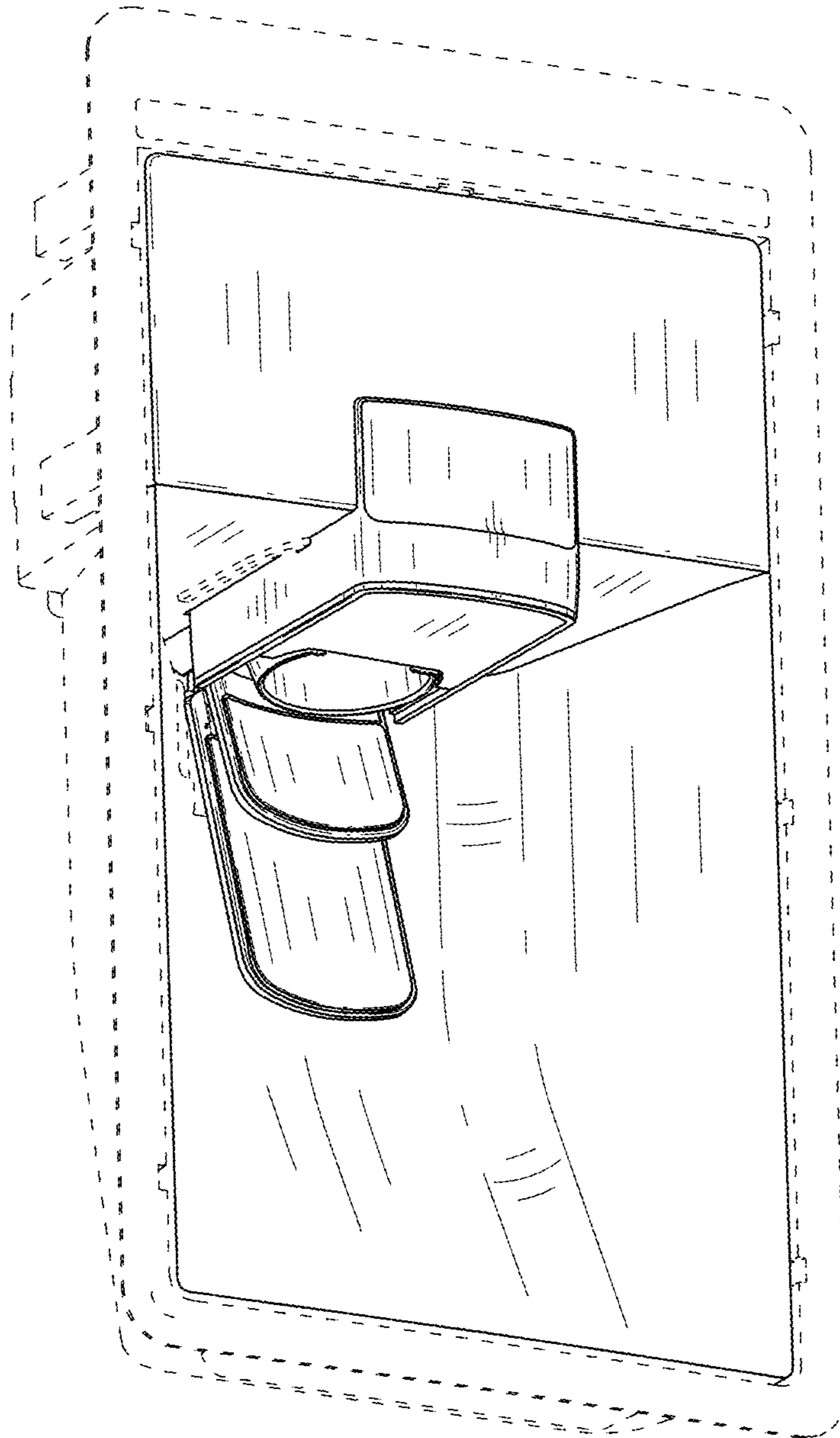


FIG. 10

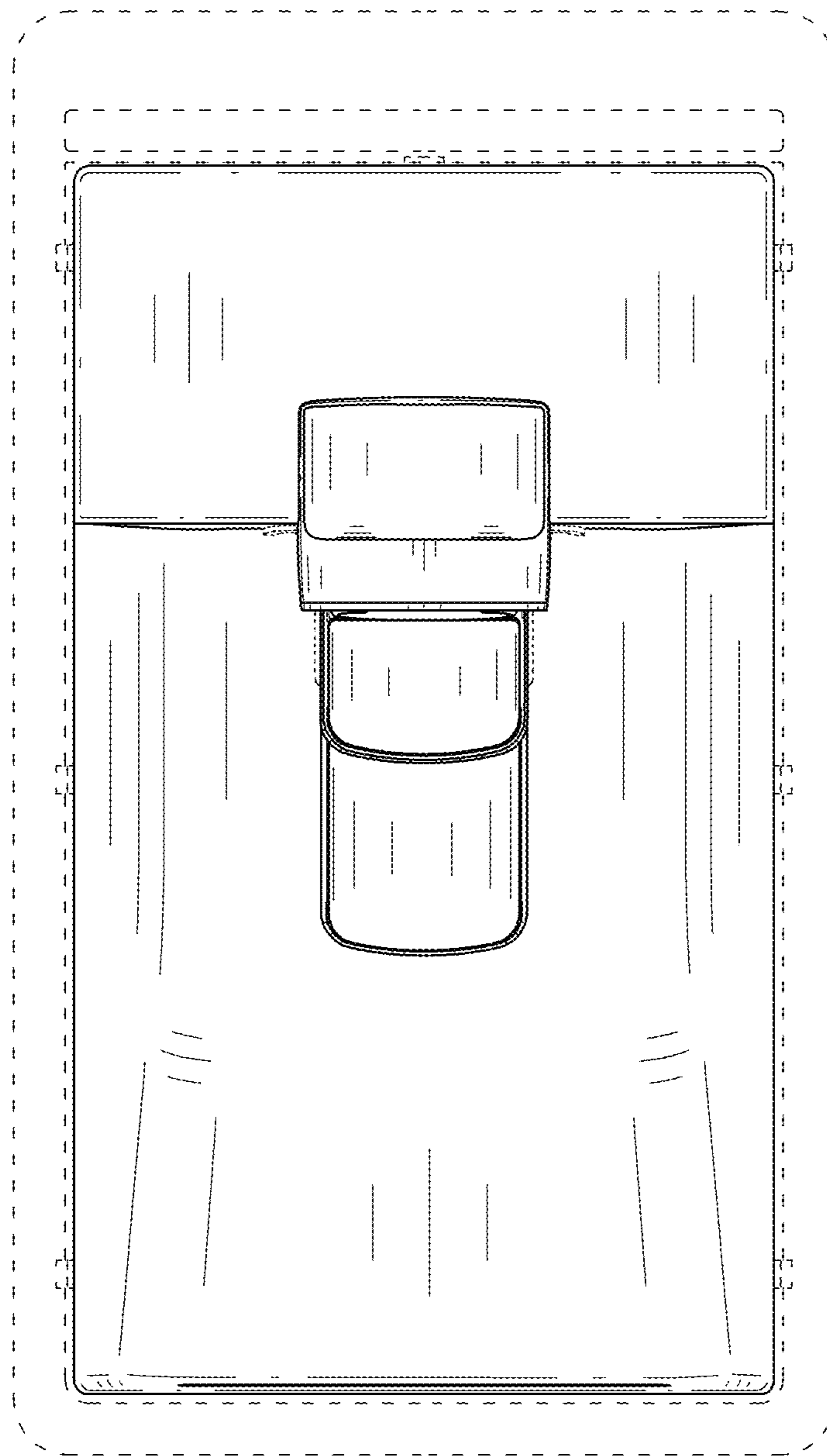


FIG. 11

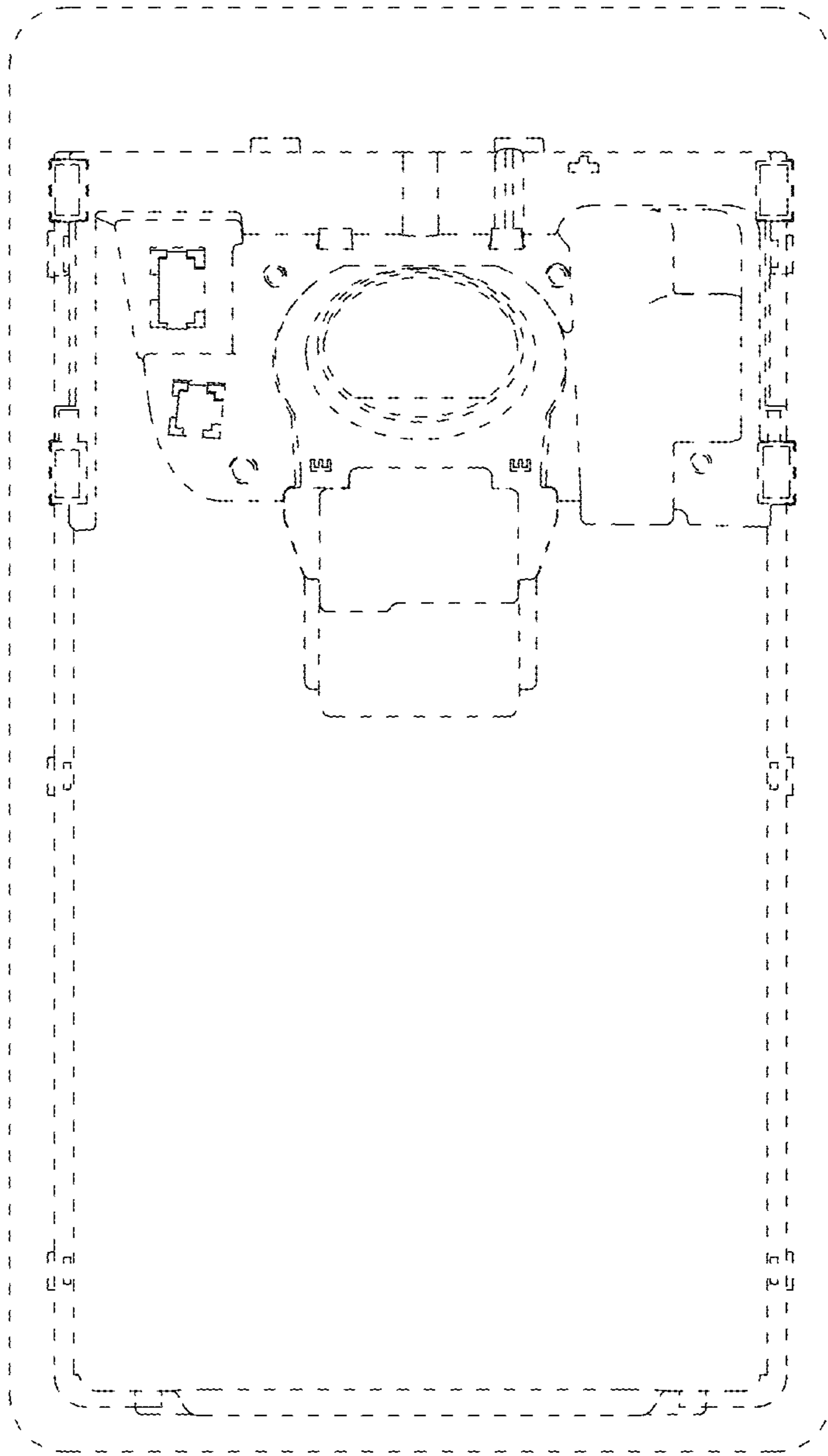


FIG. 12

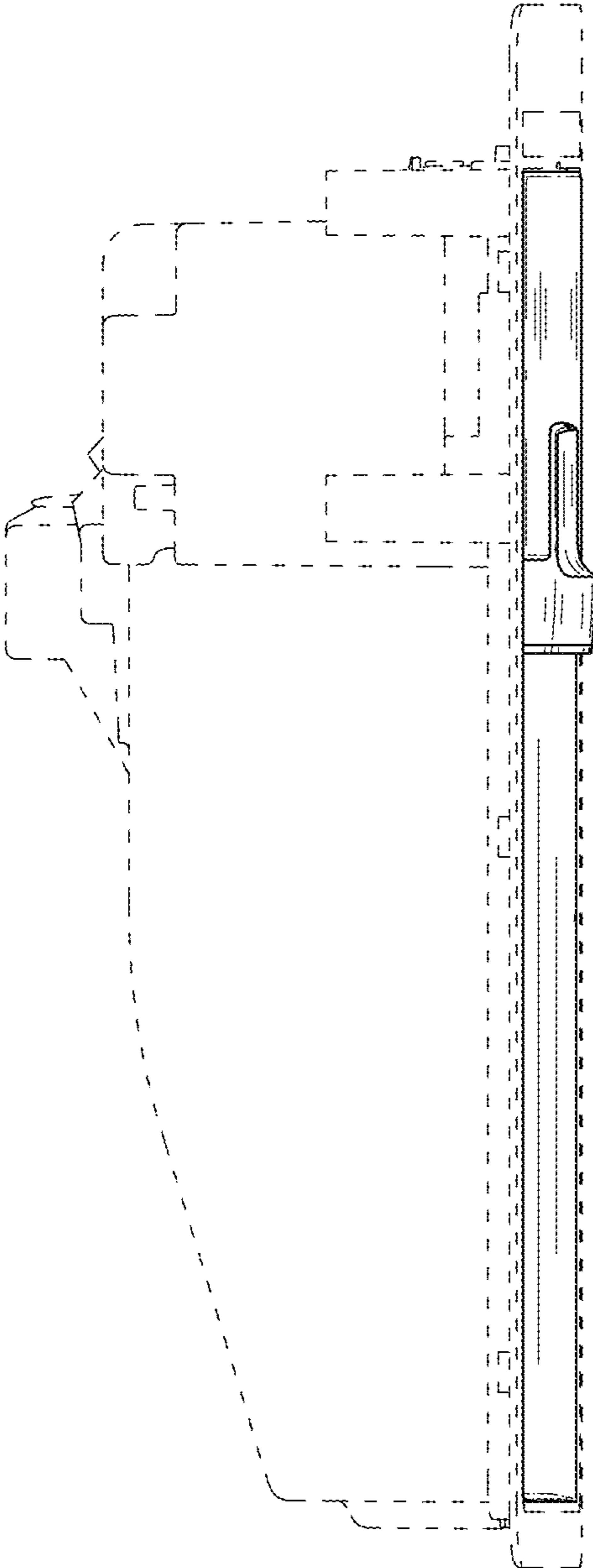


FIG. 13

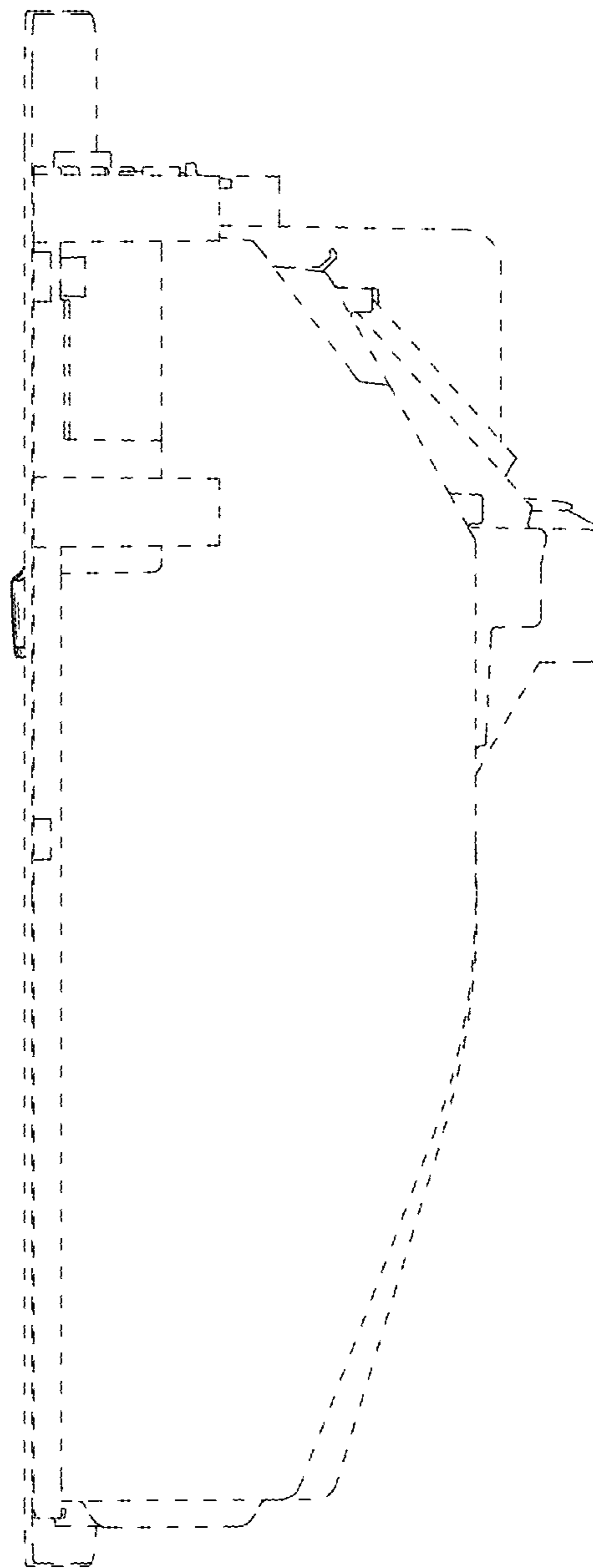


FIG. 14

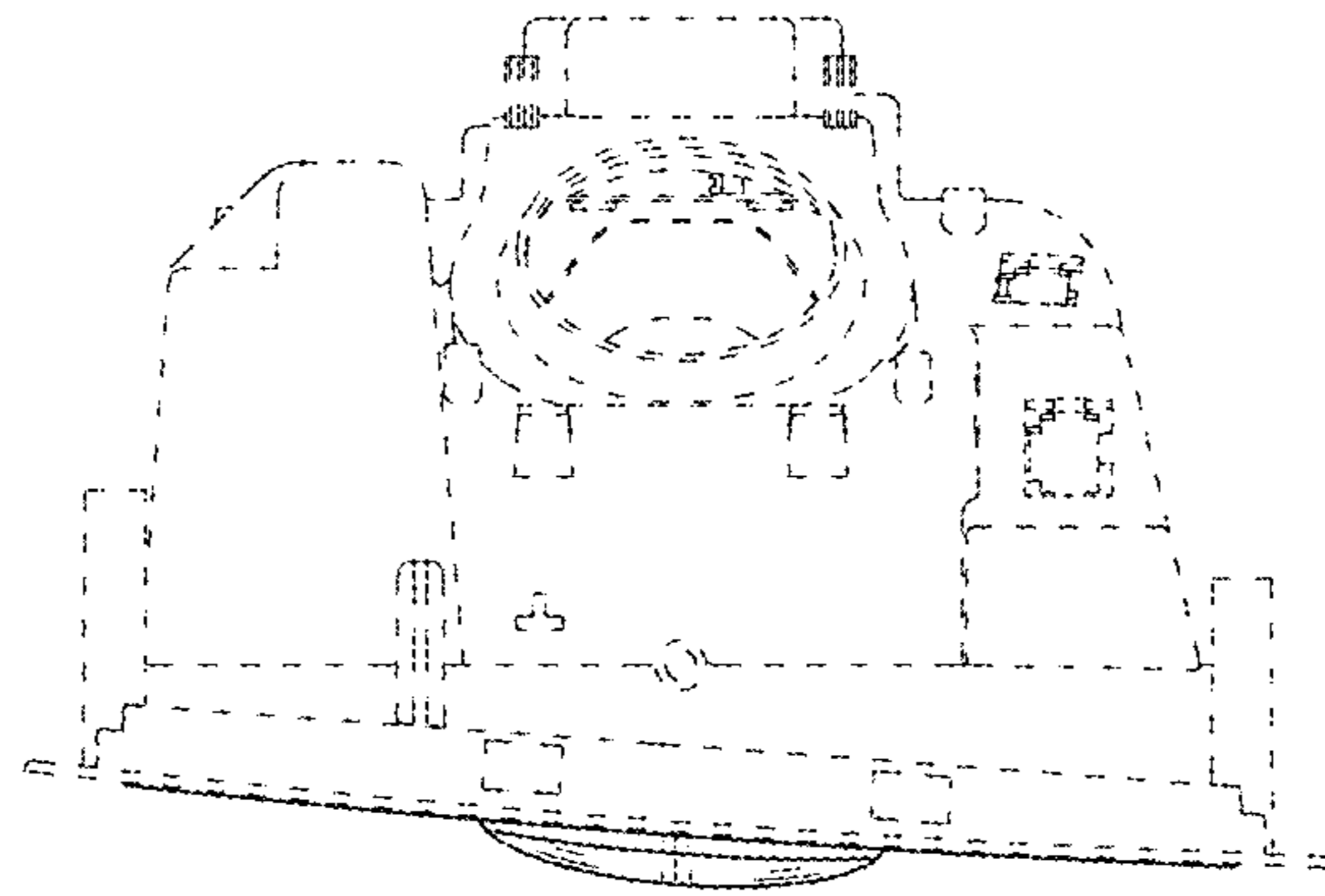


FIG. 15

