



US00D794091S

(12) **United States Design Patent**
Smith et al.

(10) **Patent No.:** **US D794,091 S**

(45) **Date of Patent:** **** Aug. 8, 2017**

(54) **AIR-RETURN GRILL FOR A REFRIGERATION SYSTEM**

F25B 45/00; F25B 49/025; F25B 49/046;
F25B 9/14

See application file for complete search history.

(71) Applicant: **HEATCRAFT REFRIGERATION PRODUCTS LLC**, Richardson, TX (US)

(56) **References Cited**

U.S. PATENT DOCUMENTS

(72) Inventors: **Michael Smith**, Phenix City, AL (US);
Dale N. Sizemore, Columbus, GA (US); **Patricia F. Russell**, Phenix City, AL (US); **Kristal C. Parker**, Phenix City, AL (US)

2,349,695	A *	5/1944	Beane	F25B 39/024
					165/168
D183,298	S *	8/1958	Browne	D7/409
D334,201	S *	3/1993	Purkapile	D15/89
D341,598	S *	11/1993	Purkapile	D15/89
D379,467	S *	5/1997	Martin	D15/89
D519,528	S *	4/2006	Reese	D15/89
D520,533	S *	5/2006	Reese	D15/89
D546,247	S *	7/2007	Abbett	D12/163
D556,793	S *	12/2007	Braun	D15/89

(Continued)

(73) Assignee: **Heatcraft Refrigeration Products LLC**, Richardson, TX (US)

(**) Term: **15 Years**

OTHER PUBLICATIONS

(21) Appl. No.: **29/562,780**

Installation and Operation Manual for Kysor Warren Reach-In Display Cases, KW-IOM-2149, Part 31E02149, Version 32, May 2015, 40 pages.

(22) Filed: **Apr. 28, 2016**

(51) **LOC (10) Cl.** **15-07**

Primary Examiner — Ian Simmons

(52) **U.S. Cl.**

Assistant Examiner — Khawaja Anwar

USPC **D15/89**

(74) *Attorney, Agent, or Firm* — Hubbard Johnston, PLLC

(58) **Field of Classification Search**

(57) **CLAIM**

USPC D15/79-91

The ornamental design for "air-return grill for a refrigeration system," as shown and described.

CPC F25B 30/04; F25B 17/00; F25B 17/08;
F25B 17/083; F25B 21/02; F25B 2321/025; F25B 2341/0661; F25B 2345/002; F25B 2400/01; F25B 2400/0417; F25B 2400/052; F25B 2400/054; F25B 2400/17; F25B 2500/19; F25B 2500/26; F25B 2600/0251; F25B 2600/11; F25B 2600/2507; F25B 2700/04; F25B 2700/151; F25B 2700/2106; F25B 27/005; F25B 27/02; F25B 30/02; F25B 39/02; F25B 39/04; F25B 40/02; F25B 41/04; F25B 41/06;

DESCRIPTION

FIG. 1 is an enlarged portion of a front perspective view of an air-return grill for a refrigeration system taken from the FIG. 7 perspective view showing our new design; FIG. 2 is a front elevation view thereof; FIG. 3 is a back elevation view thereof; FIG. 4 is a right end view thereof; FIG. 5 is a top plan view thereof; FIG. 6 is a bottom plan view thereof; and,

(Continued)

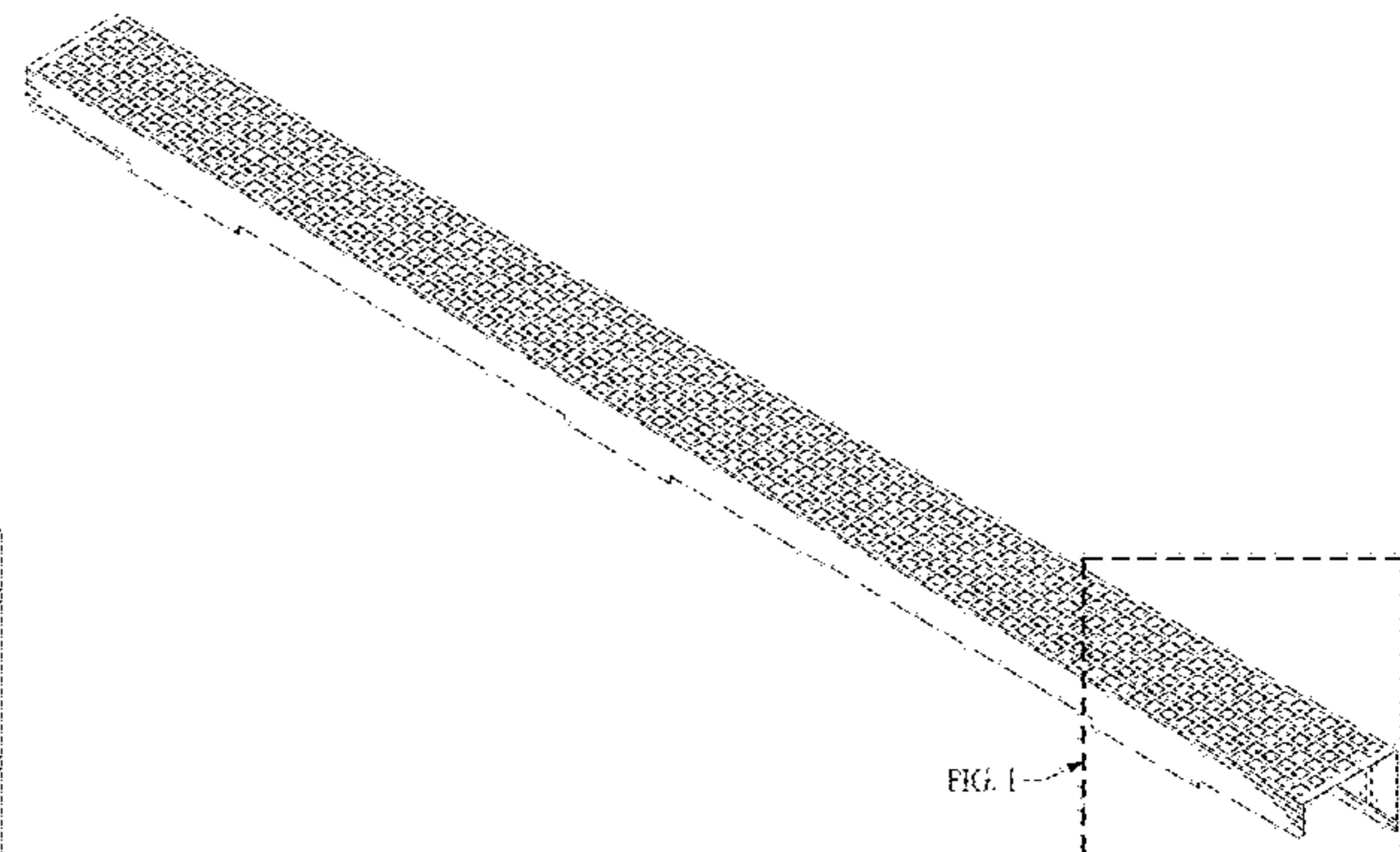
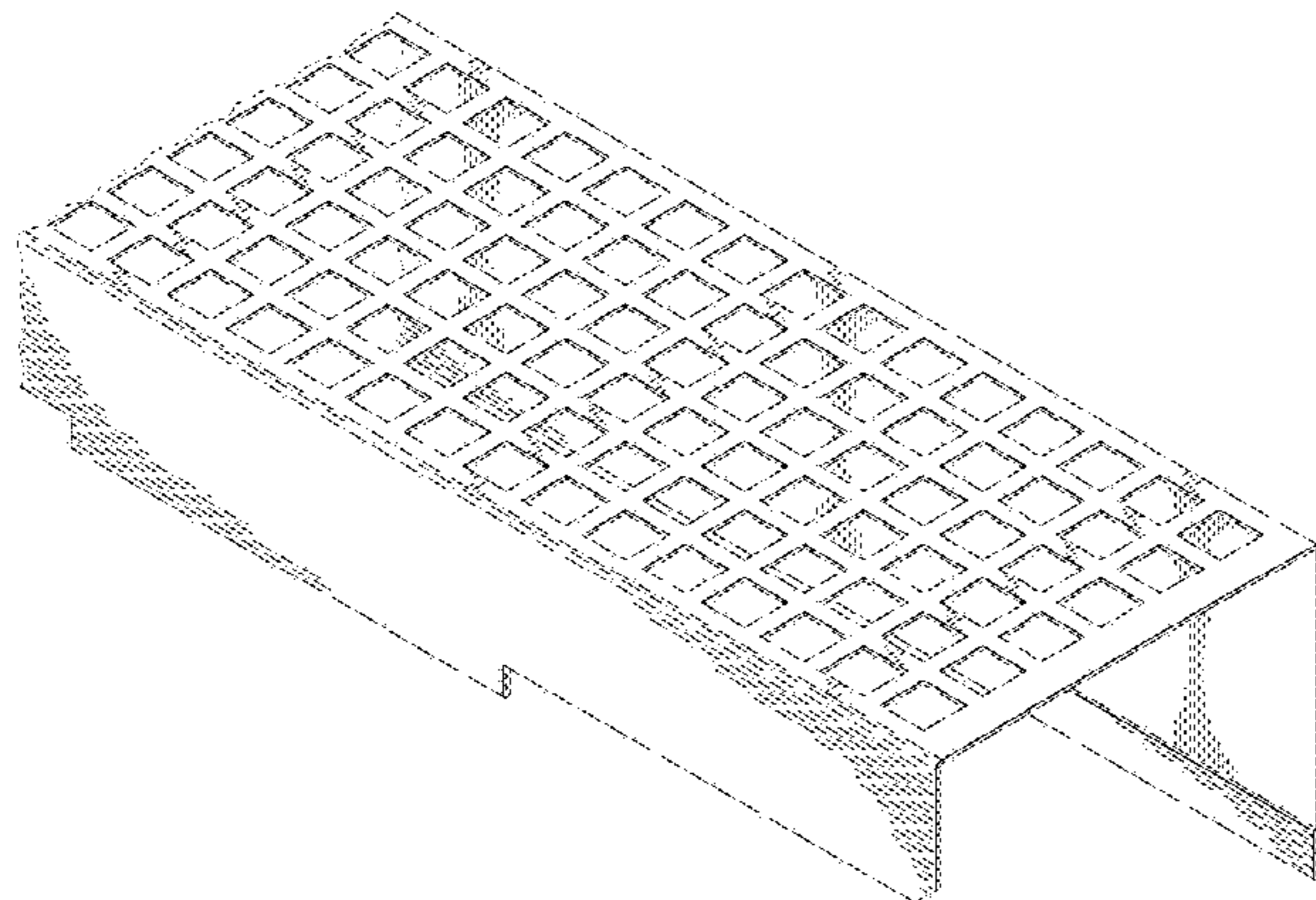


FIG. 7 is a front perspective view of an air-return grill for a refrigeration system.

The broken lines shown in the drawings represent reference cutoff lines to show portions of the claimed design and form not part of the claimed design.

1 Claim, 7 Drawing Sheets

(56)

References Cited

U.S. PATENT DOCUMENTS

D567,022 S *	4/2008	Spangrud	D7/409
D573,613 S *	7/2008	Braun	D15/89
D613,315 S *	4/2010	Crookshanks	D15/89
D628,522 S *	12/2010	Fesler	D12/163
D658,942 S *	5/2012	Borovicka	D7/409
D675,846 S *	2/2013	Monaldi	D6/661
D695,717 S *	12/2013	Carpenter	D14/221
D745,580 S *	12/2015	Miller	D15/89
D752,864 S *	4/2016	Levie	D3/304
D775,556 S *	1/2017	Myrberg	D12/163

* cited by examiner

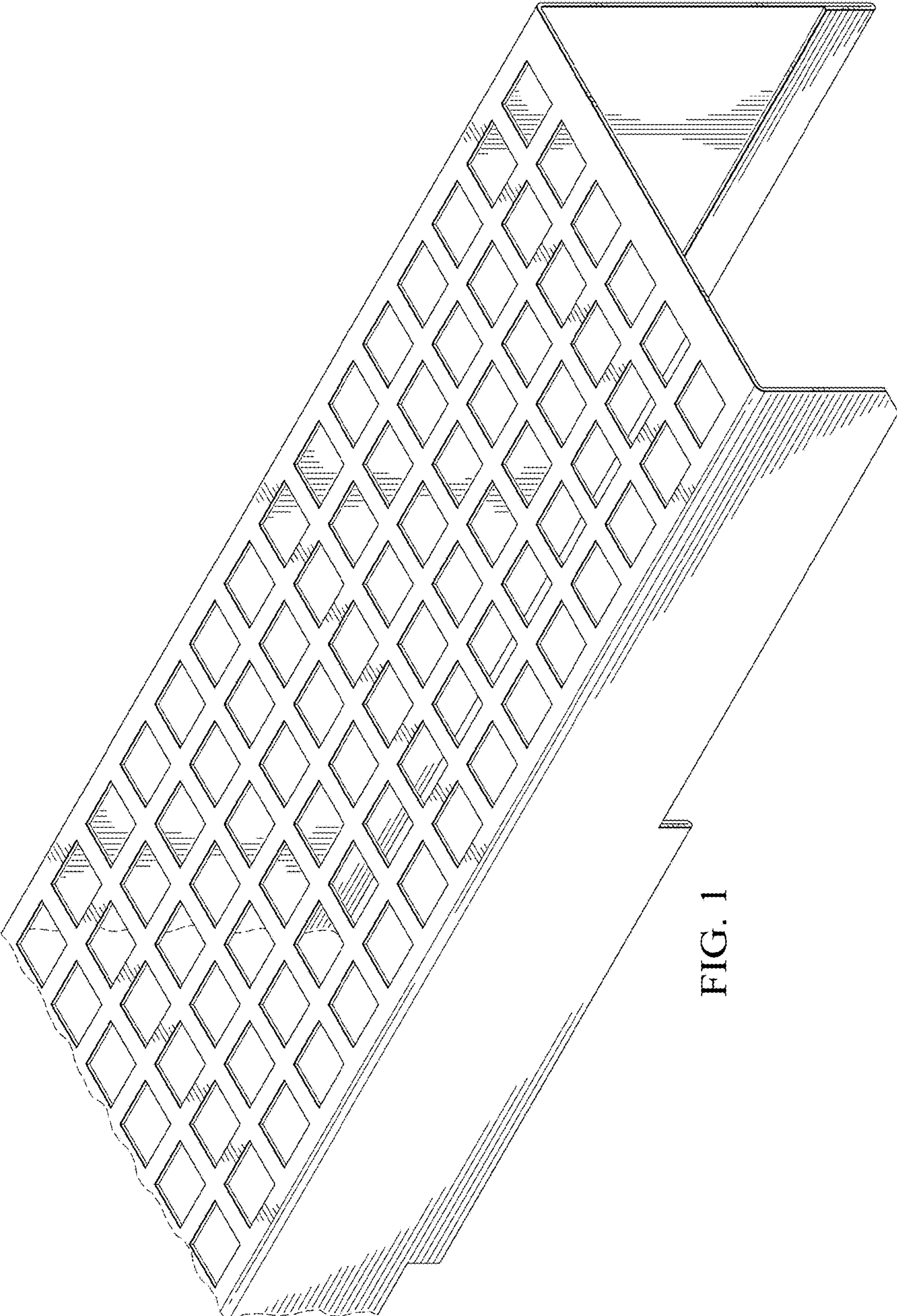


FIG. 1

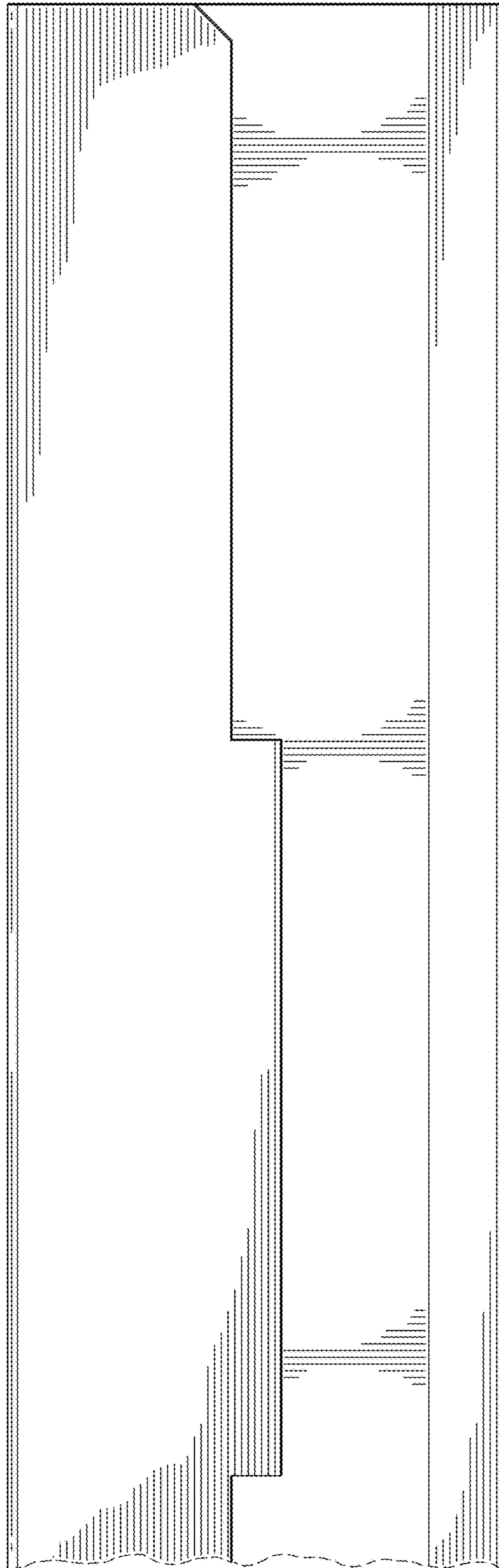


FIG. 2

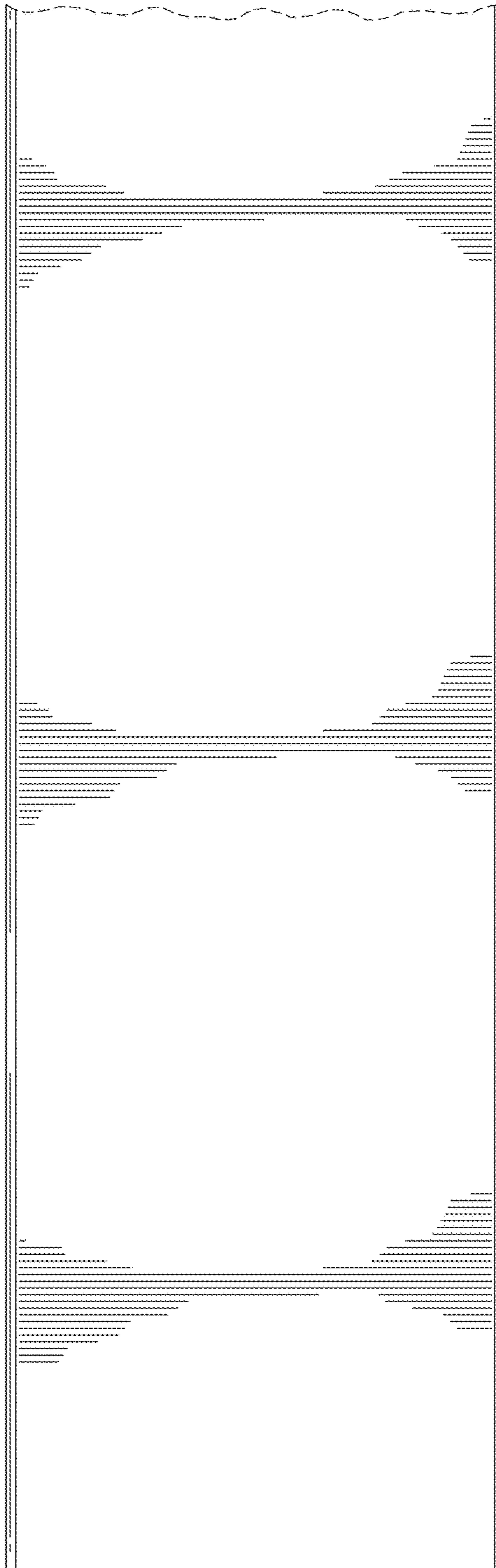


FIG. 3

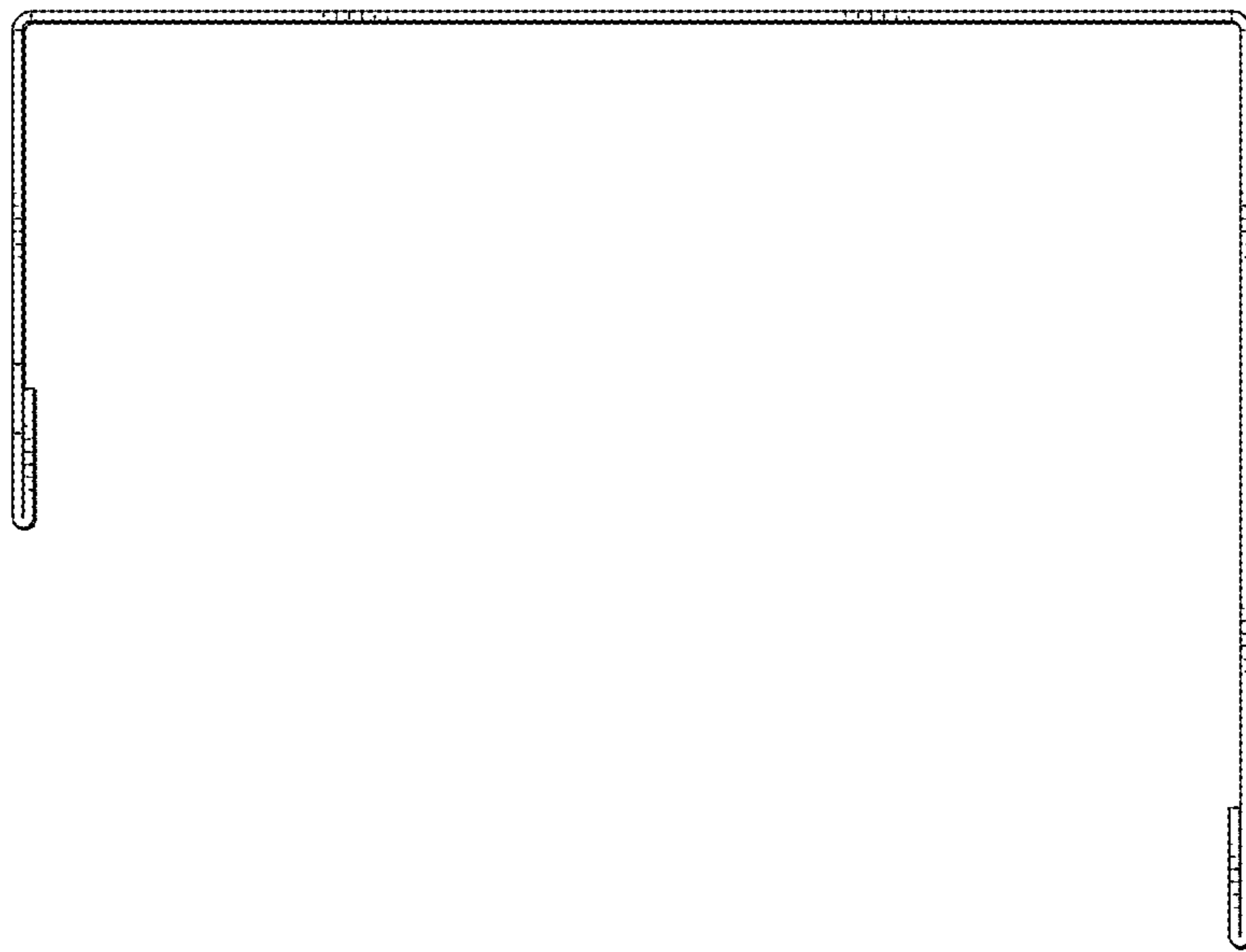


FIG. 4

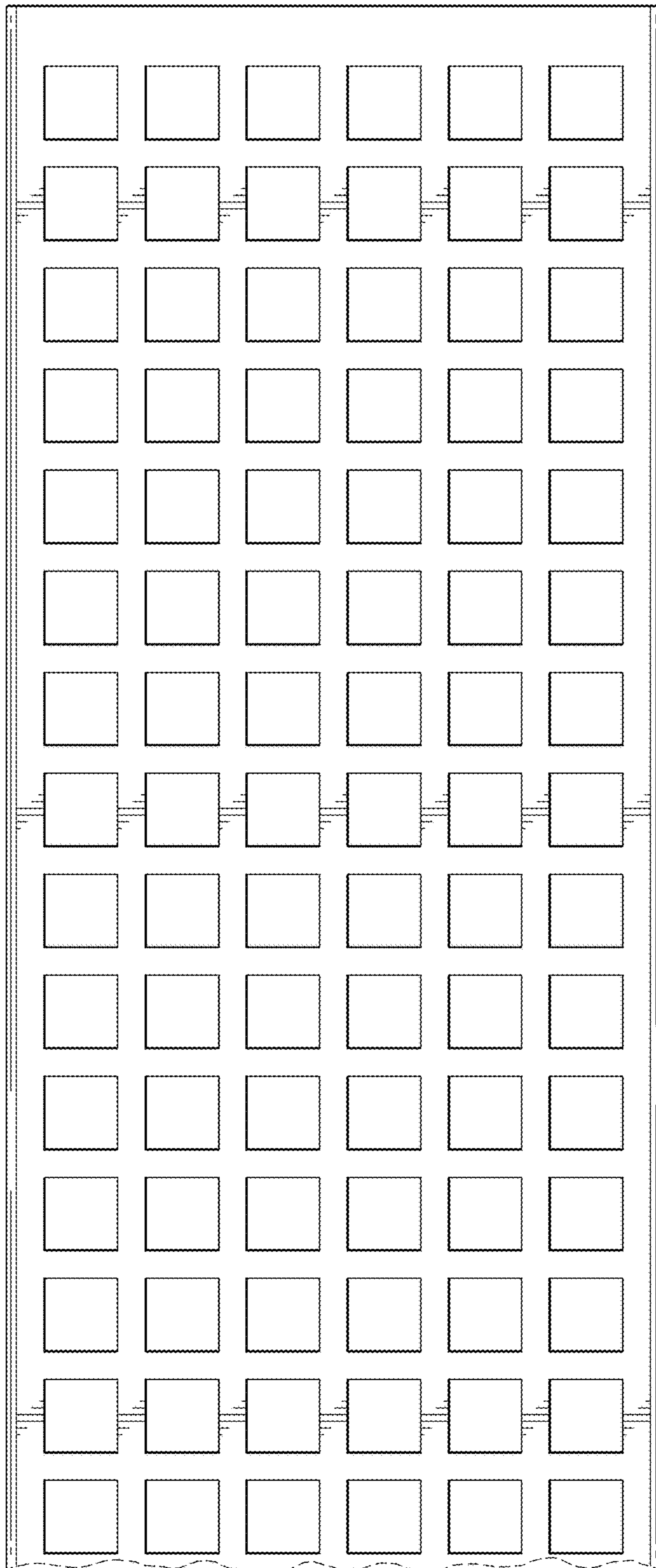


FIG. 5

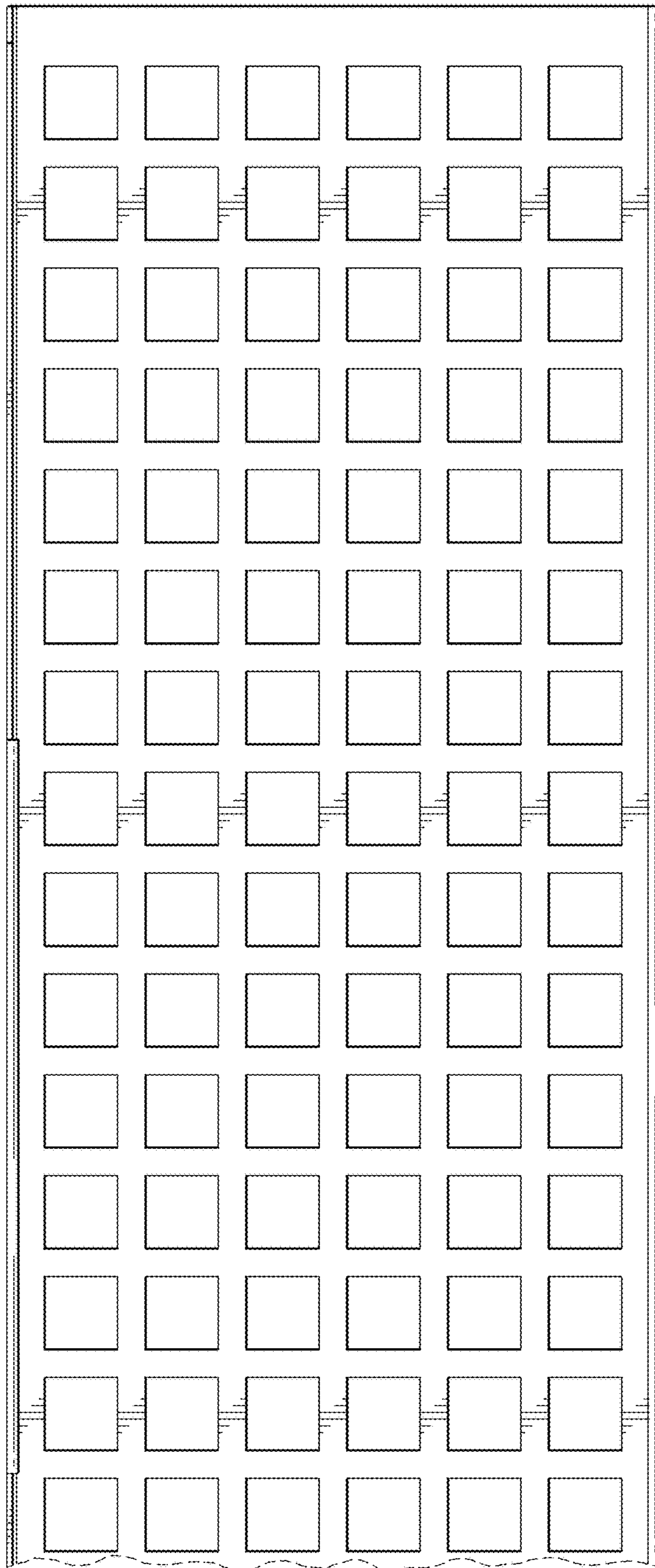


FIG. 6

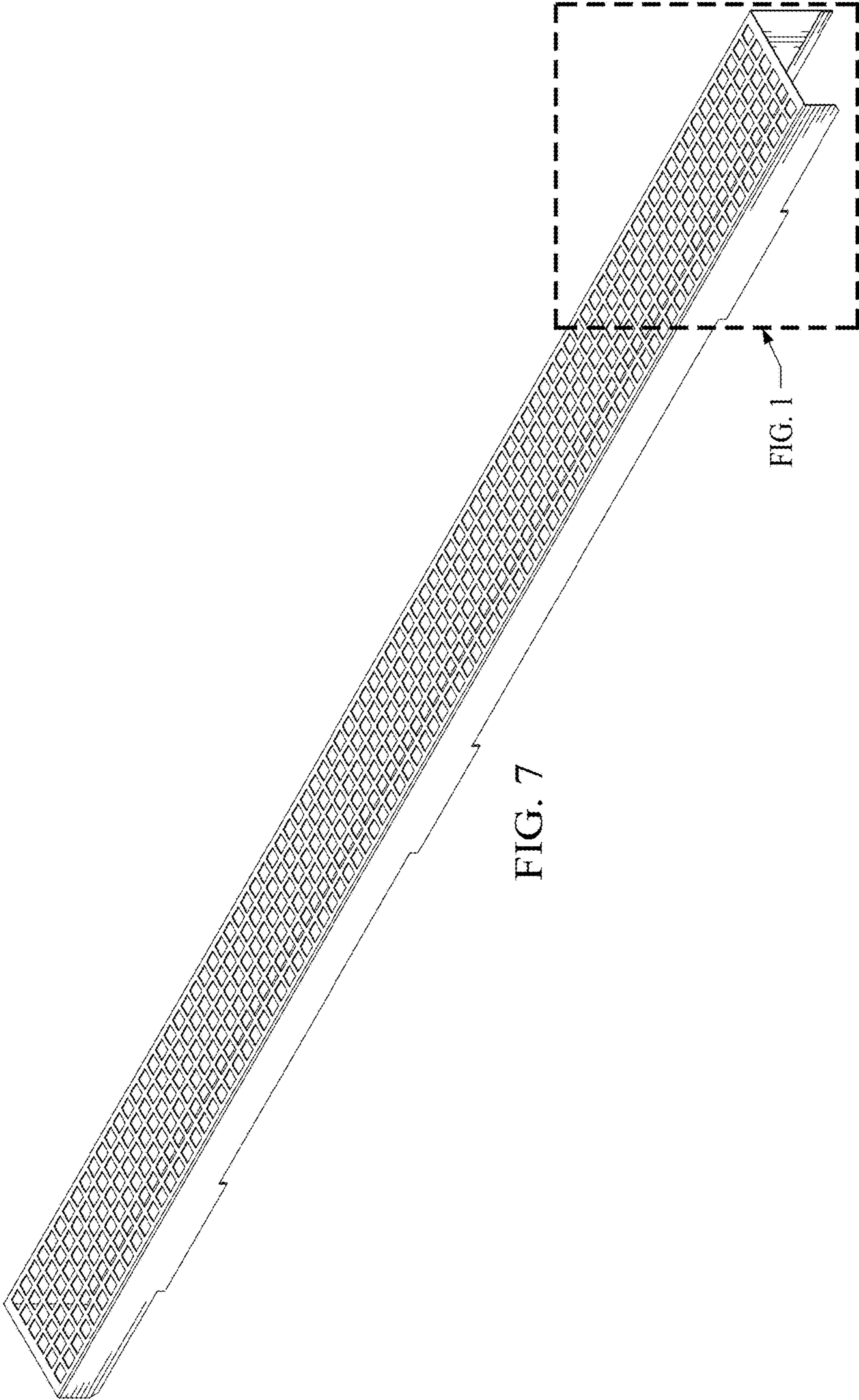


FIG. 1

FIG. 7