



US00D794090S

(12) **United States Design Patent** (10) **Patent No.:** **US D794,090 S**
Coe Coon (45) **Date of Patent:** **** Aug. 8, 2017**

(54) **PORTABLE REFRIGERATOR**

(71) Applicant: **Angelina Marcia Coe Coon**, Dallas, TX (US)

(72) Inventor: **Angelina Marcia Coe Coon**, Dallas, TX (US)

(**) Term: **15 Years**

(21) Appl. No.: **29/547,893**

(22) Filed: **Dec. 8, 2015**

(51) **LOC (10) Cl.** **15-07**

(52) **U.S. Cl.**
USPC **D15/81**

(58) **Field of Classification Search**
USPC D15/79-91
CPC F25D 25/02; F25D 23/00; F25D 25/024;
F25D 2325/022; F25D 23/067; F25D
25/04; F25D 27/00; F25D 2325/021;
F25D 2400/22; F25D 25/025; F25D
11/00; F25D 23/04; F25D 11/02; F25D
23/025; F25D 23/12; F25D 2400/40;
F25D 25/027; F25D 17/042; F25D
2331/803; F25D 2500/06; F25D 2201/00;
F25D 2317/0411; F25D 2323/122; F25D
2327/00; F25D 2331/805; F25D 2331/81;
F25D 23/028; F25D 23/062; F25D
23/126; F25D 25/022; F25D 25/028;
F25D 2600/02; F25D 29/00; F25D
2317/041; F25D 2317/0416; F25D
2325/00; F25D 2327/001; F25D
2331/809; F25D 23/065; F25D 23/069;
F25D 23/087; F25D 2400/36; F25D
2400/361; F25D 2500/02; F25D 25/00;
F25D 2600/00; F25D 2700/123

See application file for complete search history.

(56) **References Cited**

U.S. PATENT DOCUMENTS

D171,129 S *	12/1953	Goodson	D15/81
D325,918 S *	5/1992	Lloyd	D15/81
D465,133 S *	11/2002	Ben-Moshe	D7/605
D474,374 S *	5/2003	Fromm	D15/81
D474,375 S *	5/2003	Fromm	D15/81
D480,235 S *	10/2003	Draper	D15/81
D486,467 S *	2/2004	Yuen	D14/168
D494,606 S *	8/2004	Krieger	D15/81
D568,909 S *	5/2008	Santiago	D15/81
D776,171 S *	1/2017	Wang	D15/88

* cited by examiner

Primary Examiner — Ian Simmons
Assistant Examiner — Khawaja Anwar
(74) *Attorney, Agent, or Firm* — One LLP

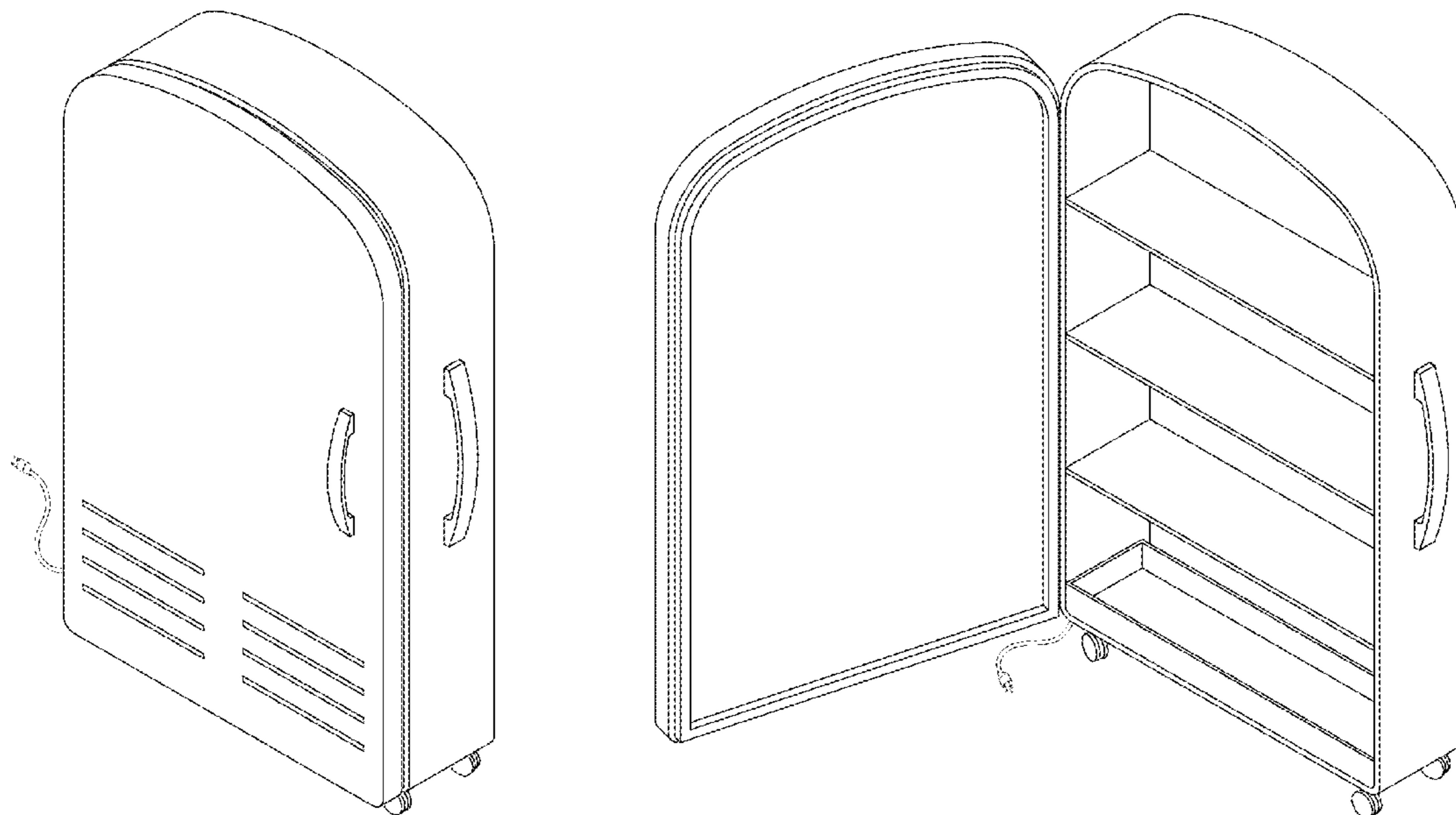
(57) **CLAIM**

We claim the ornamental design for a portable refrigerator, as shown and described.

DESCRIPTION

FIG. 1 is a perspective view of a first embodiment of a portable refrigerator, showing my new design in a closed door position;
FIG. 2 is a another perspective view thereof, shown in an open door position;
FIG. 3 is a perspective view of a second embodiment of a portable refrigerator, showing my new design in a closed door position; and,
FIG. 4 is another perspective view thereof, shown in an open door position.

1 Claim, 2 Drawing Sheets



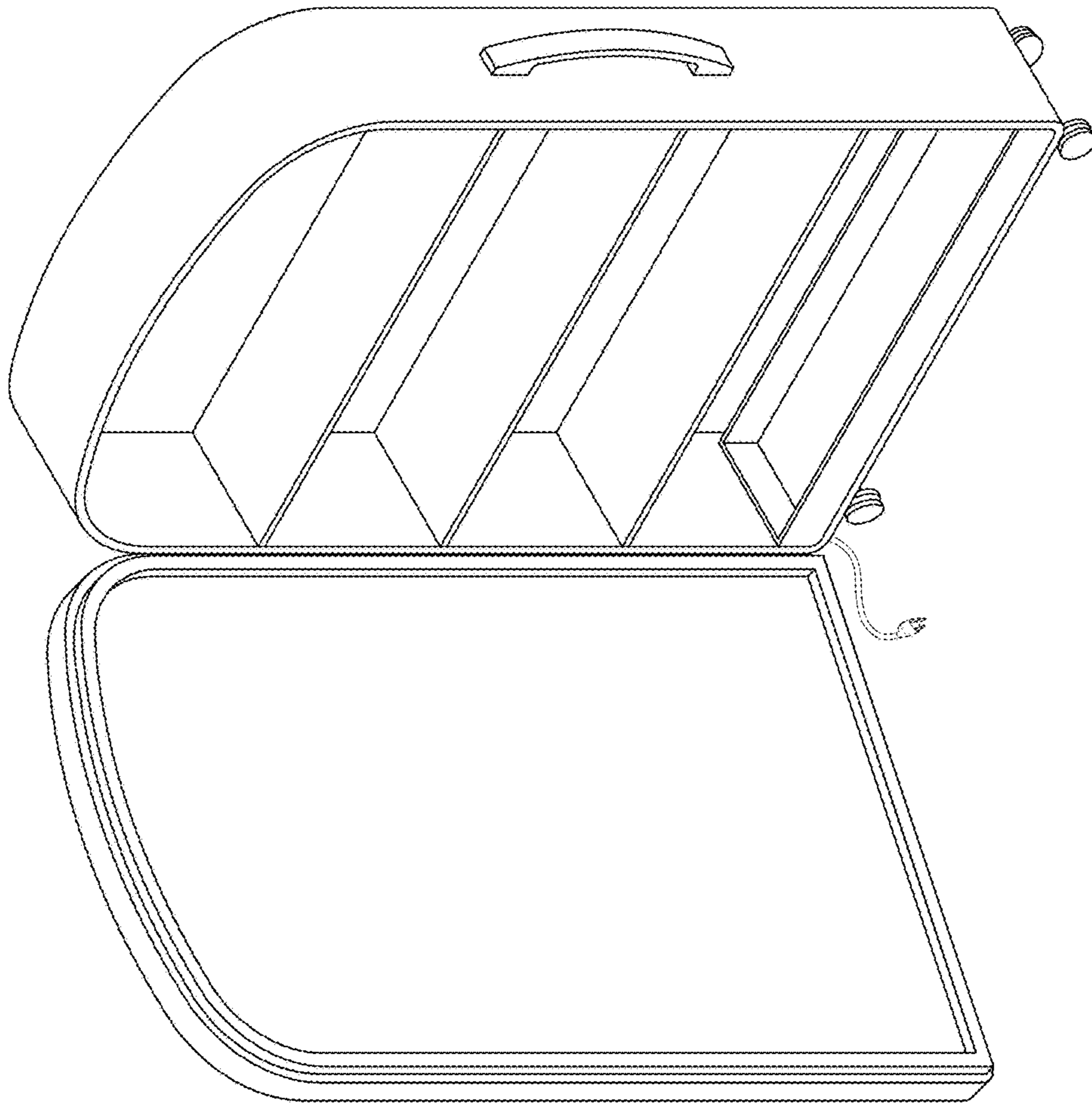


FIG. 1

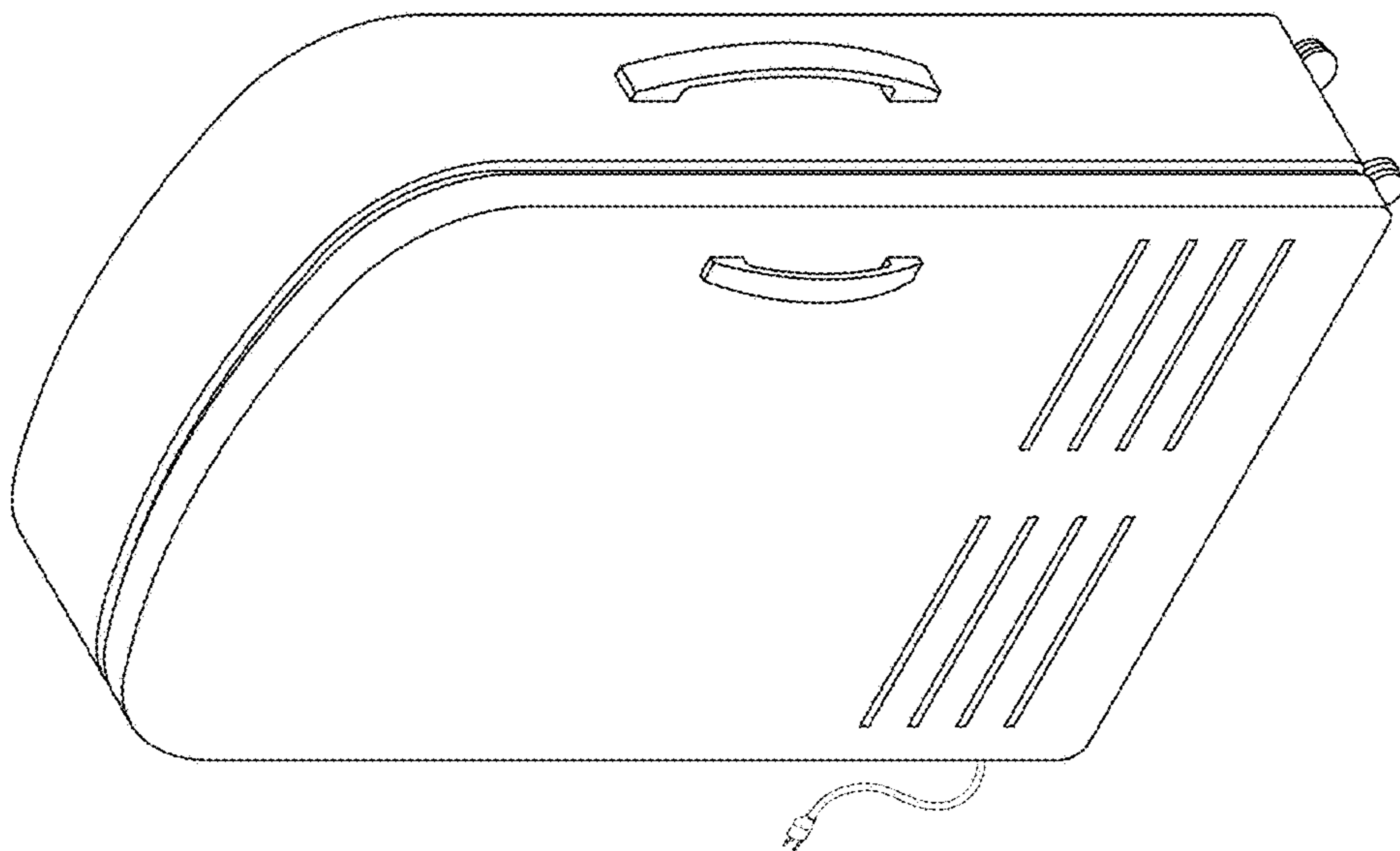


FIG. 2

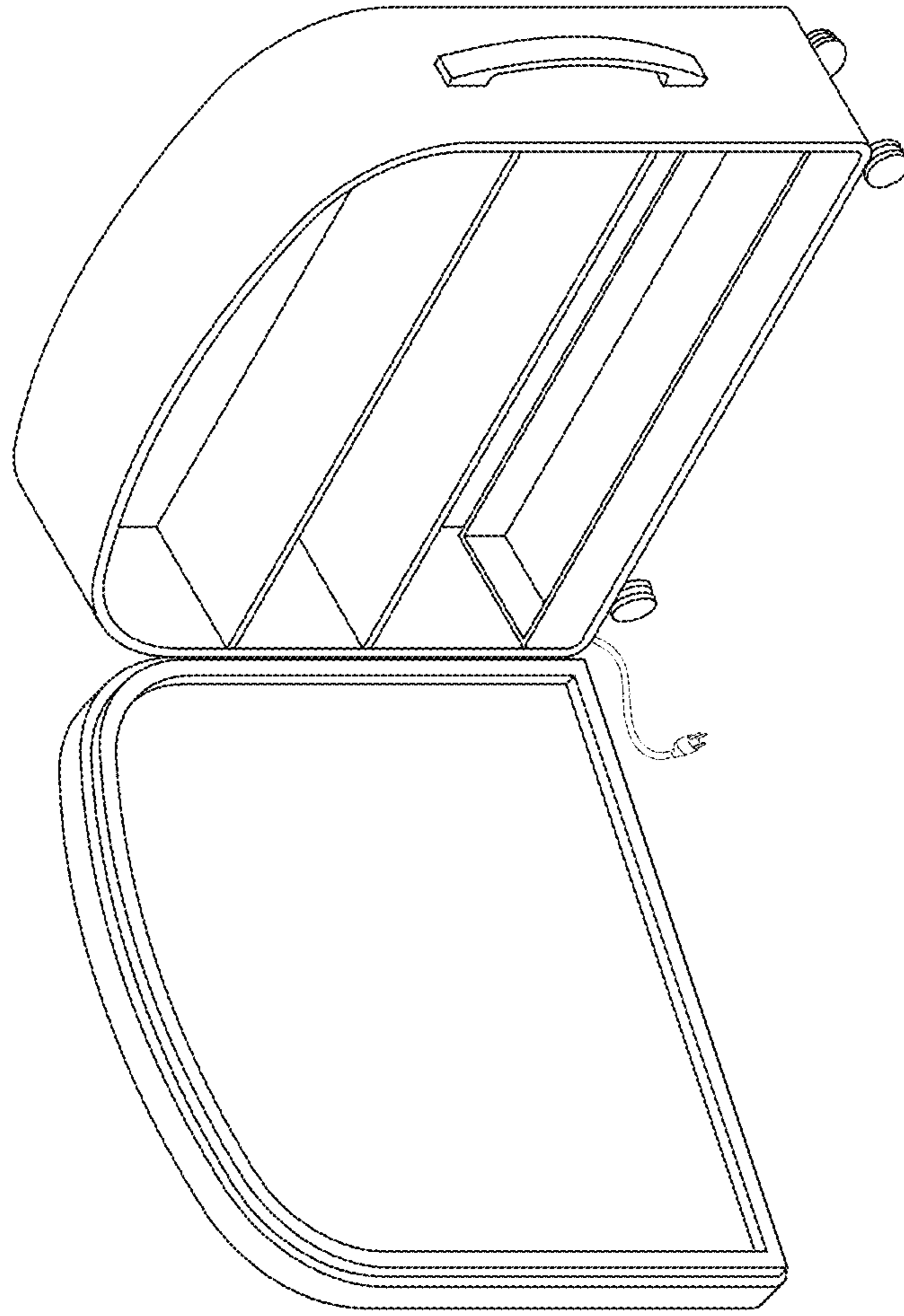


FIG. 3

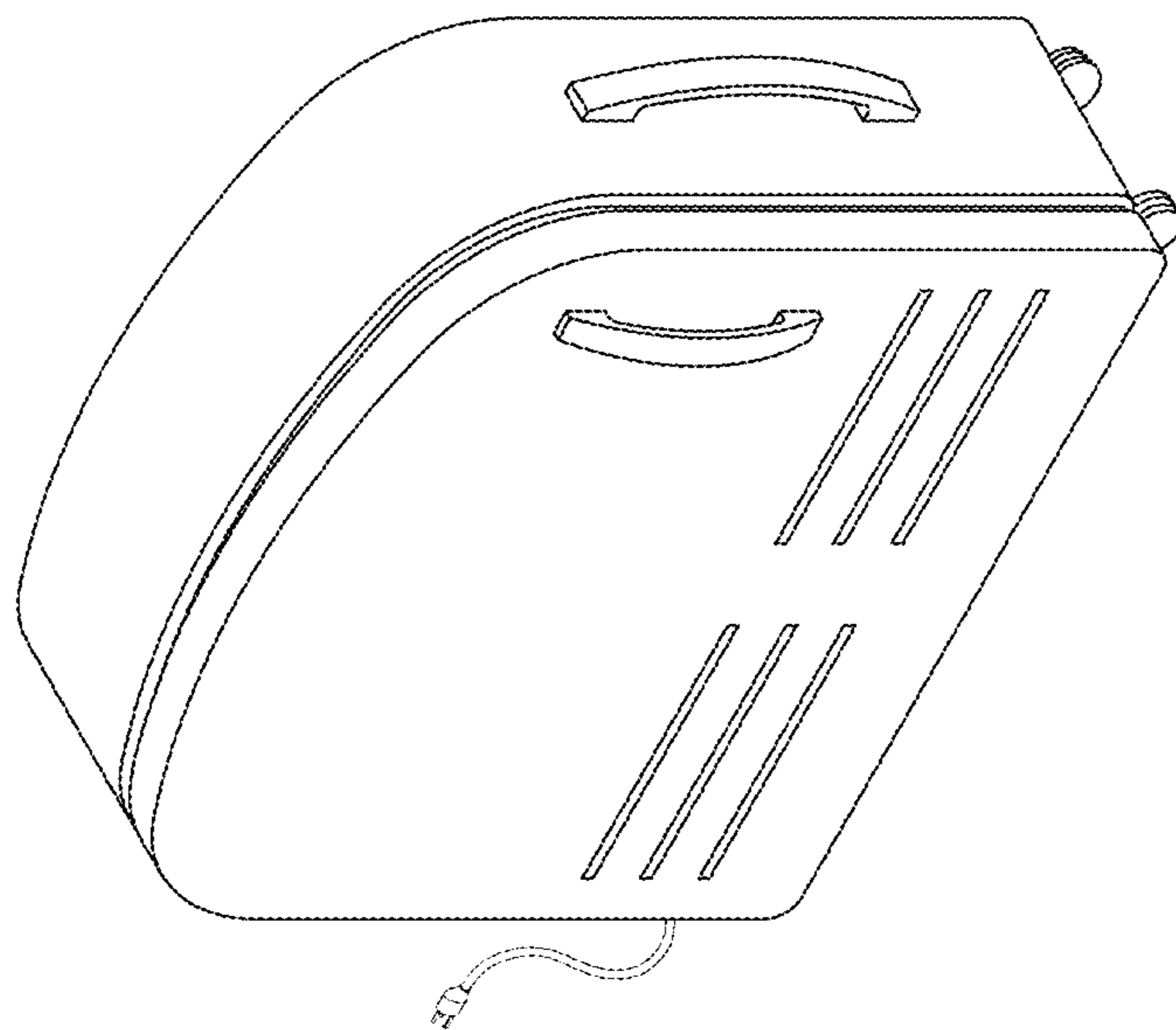


FIG. 4