



US00D794089S

(12) **United States Design Patent** (10) **Patent No.:** **US D794,089 S**
Maibach et al. (45) **Date of Patent:** **** Aug. 8, 2017**

(54) **WHEEL**
(71) Applicant: **MTD Products Inc**, Valley City, OH (US)
(72) Inventors: **Ryan W. Maibach**, Medina, OH (US); **Ryan Cmich**, Sharon Township, OH (US)
(73) Assignee: **MTD PRODUCTS INC**, Valley City, OH (US)
(**) Term: **15 Years**
(21) Appl. No.: **29/529,334**

D386,191 S * 11/1997 Bruns D15/28
D396,863 S * 8/1998 Bruns D15/28
6,321,515 B1 11/2001 Colens
6,327,741 B1 12/2001 Reed
6,339,735 B1 1/2002 Peless et al.
6,493,613 B2 12/2002 Peless et al.
D518,074 S * 3/2006 Yoshida D15/28
7,079,923 B2 7/2006 Abramson et al.
7,444,206 B2 10/2008 Abramson et al.
7,613,543 B2 11/2009 Petersson et al.
7,668,631 B2 2/2010 Bernini
7,729,801 B2 6/2010 Abramson
7,769,490 B2 8/2010 Abramson et al.
8,046,103 B2 10/2011 Abramson et al.
8,239,992 B2 8/2012 Schnittman et al.
8,428,776 B2 4/2013 Letsky
(Continued)

(22) Filed: **Jun. 5, 2015**
(51) **LOC (10) Cl.** **12-16**
(52) **U.S. Cl.**
USPC **D15/29; D8/375; D12/501**
(58) **Field of Classification Search**
USPC D8/373, 375, 374, 382, 354, 377, 358, D8/356, 359; D10/72, 61, 62; D12/19, D12/501, 204, 12, 14, 542, 543; D24/138; D3/318, 279, 271.12, 24; D15/67, 29, 28, 27, 17, 15, 14, 12; D14/484; D34/27, 14, 19, 24, 25; D21/424, 425, 533, 534, 535, 536; D25/48.4; D22/140, 137; D13/107
CPC A01D 2101/00; A01D 34/64; A01D 34/69; B60G 2300/084; B60B 33/00; B60B 33/0015; B60B 33/006; B60B 33/0063; B60B 3/00; B60B 3/082; B60Y 2200/223; B60Y 2200/20
See application file for complete search history.

FOREIGN PATENT DOCUMENTS

EP 2648307 A1 10/2013
EP 2656718 A1 10/2013
EP 2852029 A1 3/2015

Primary Examiner — Robert M Spear
Assistant Examiner — Eliza Bennett-Hattan
(74) *Attorney, Agent, or Firm* — Wegman, Hessler & Vanderburg

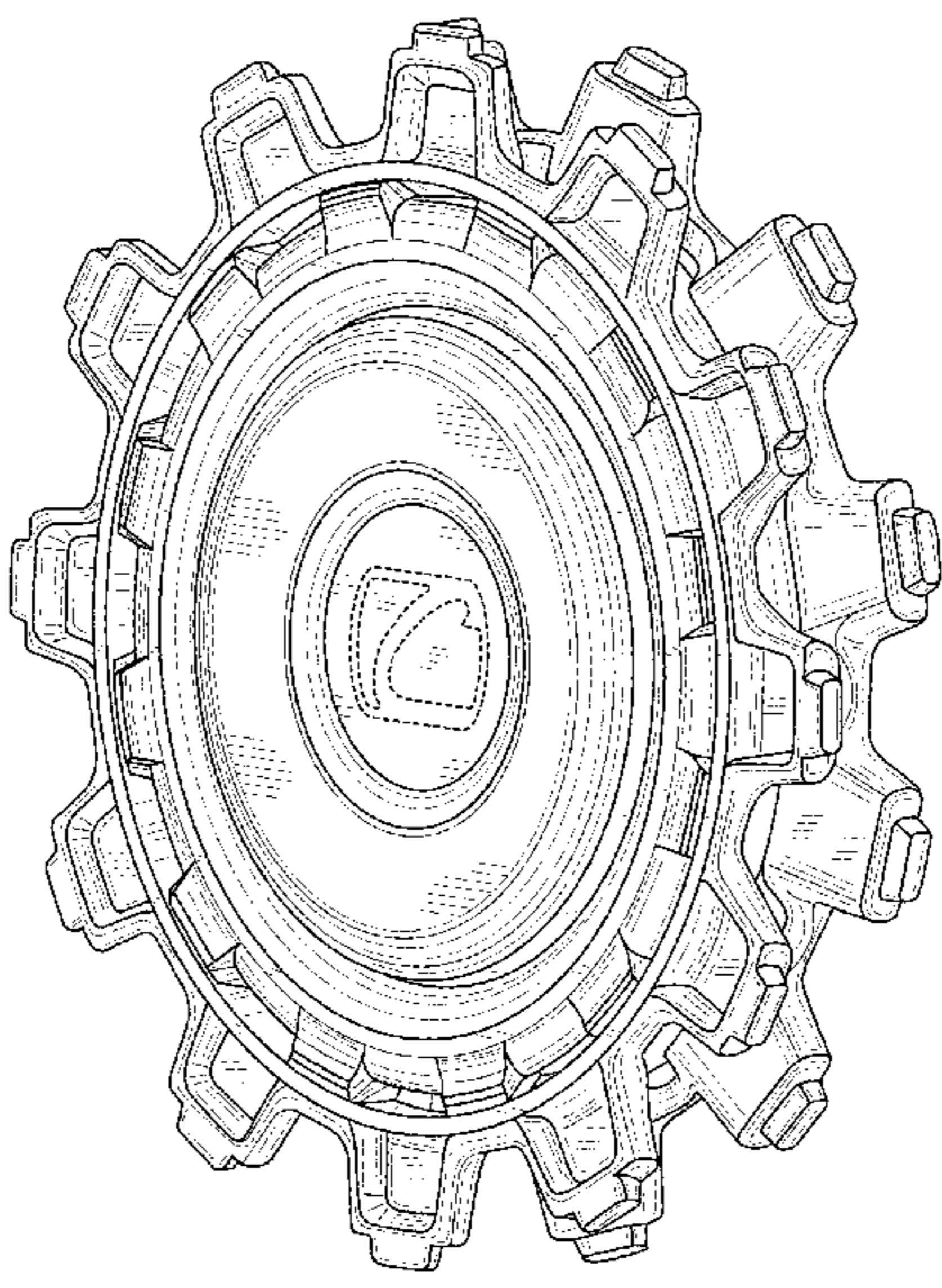
(57) **CLAIM**
The ornamental design for a wheel, as shown and described.

DESCRIPTION

FIG. 1 is a top perspective view of a wheel showing our new design;
FIG. 2 is a top view thereof;
FIG. 3 is a bottom view thereof; and,
FIG. 4 is a first side view thereof, wherein the second, third, and fourth side views are mirror images thereof.
The broken lines shown in the drawings are for the purpose of illustrating portions of the article that form no part of the claimed design.

(56) **References Cited**
U.S. PATENT DOCUMENTS
5,204,814 A 4/1993 Noonan et al.
D377,356 S * 1/1997 Bruns D15/28

1 Claim, 4 Drawing Sheets



(56)

References Cited

U.S. PATENT DOCUMENTS

8,452,450 B2 5/2013 Dooley et al.
8,532,822 B2 9/2013 Abramson et al.
8,600,582 B2 12/2013 Bernini
8,676,378 B2 3/2014 Tian et al.
8,818,602 B2 8/2014 Yamamura et al.
8,868,237 B2 10/2014 Sandin et al.
D718,793 S * 12/2014 Gur D15/14
8,983,693 B2 3/2015 Yamamura et al.
D760,806 S * 7/2016 Cmich D15/14
2006/0150361 A1 7/2006 Aldred et al.
2011/0234153 A1 9/2011 Abramson
2013/0211646 A1 8/2013 Yamamura et al.
2013/0211647 A1 8/2013 Yamamura et al.
2013/0317680 A1 11/2013 Yamamura et al.
2014/0031979 A1 1/2014 Borinato et al.
2014/0058611 A1 2/2014 Borinato
2014/0324269 A1 10/2014 Abramson et al.

* cited by examiner

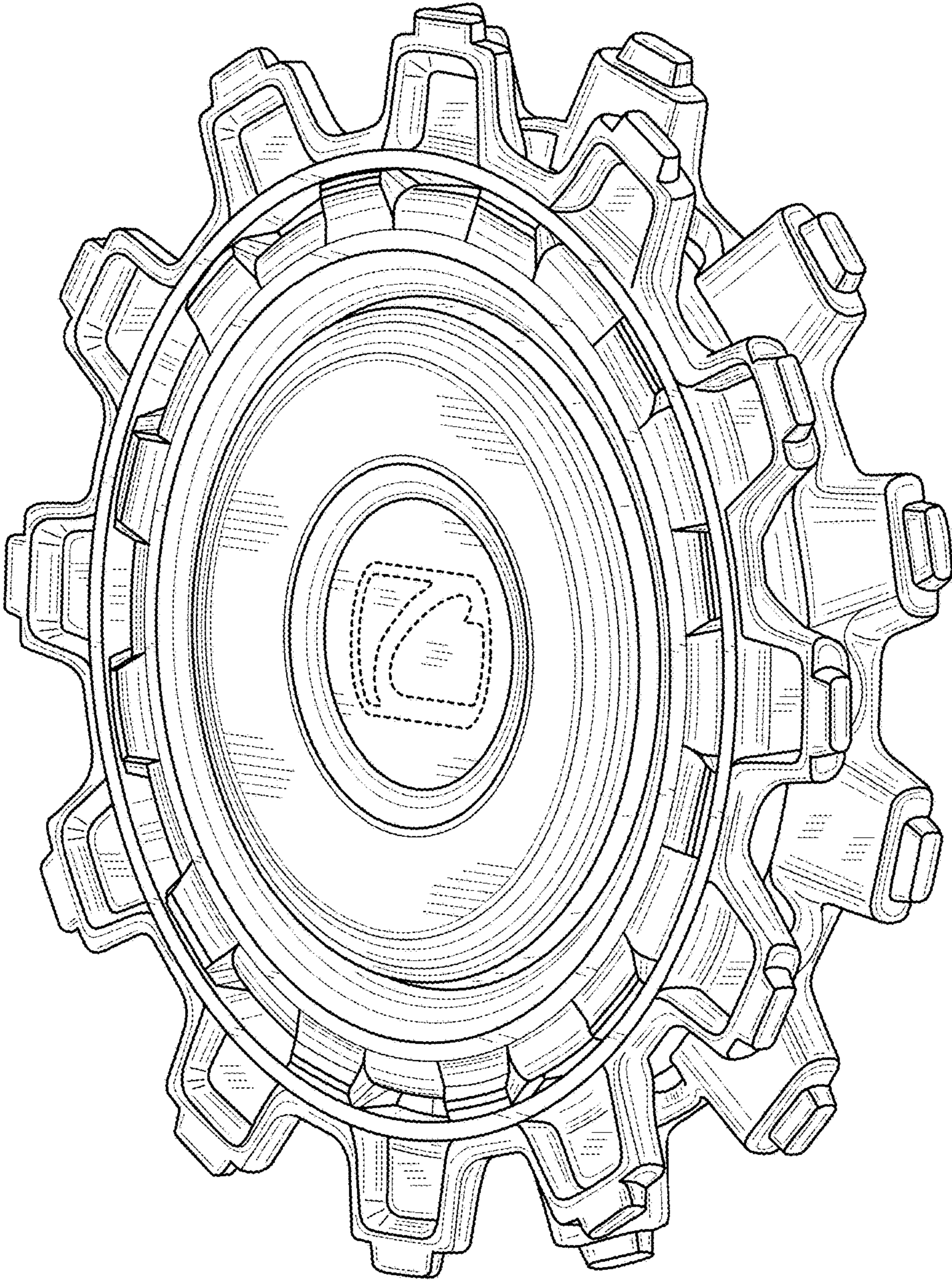


FIG. 1

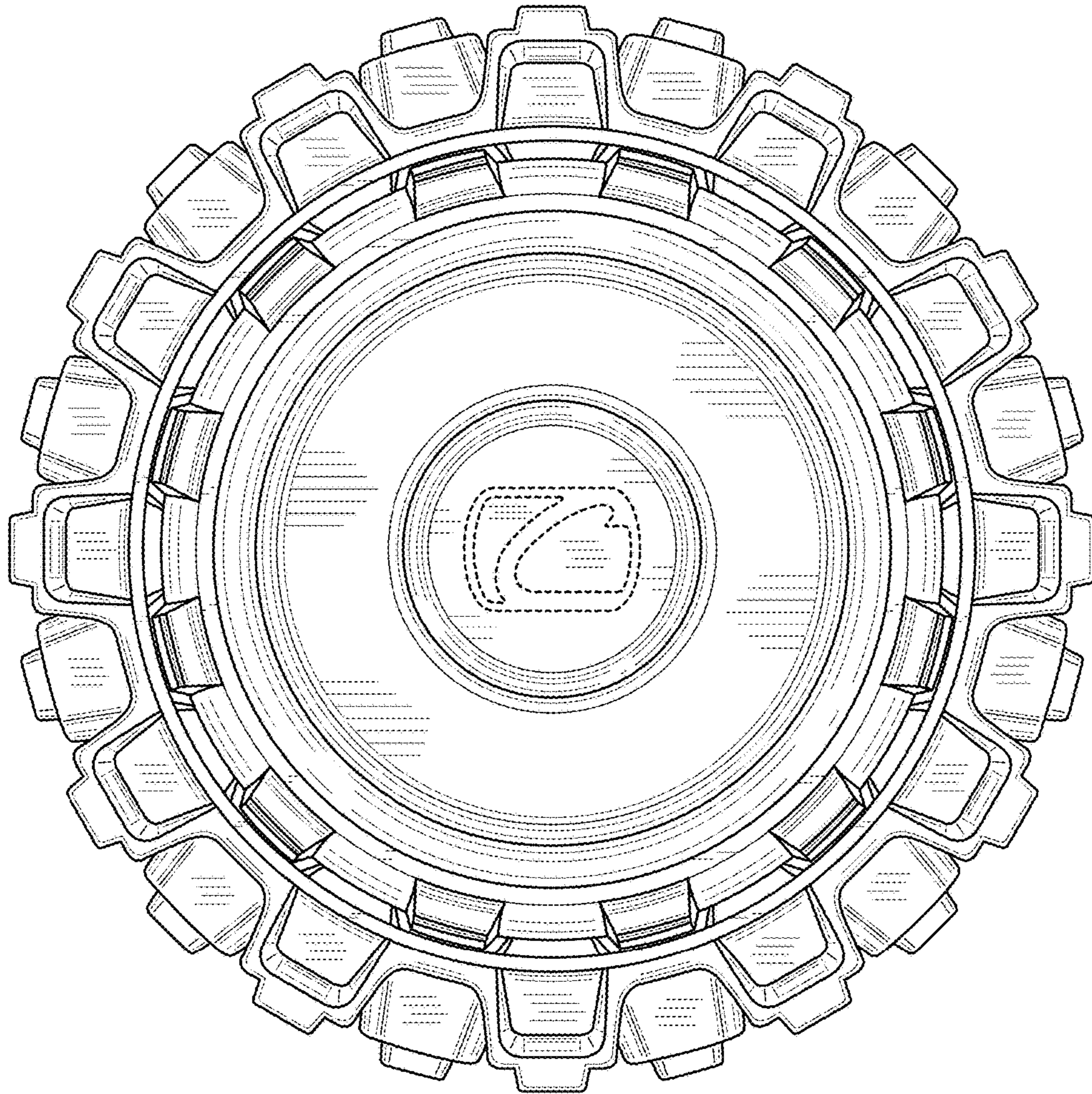


FIG. 2

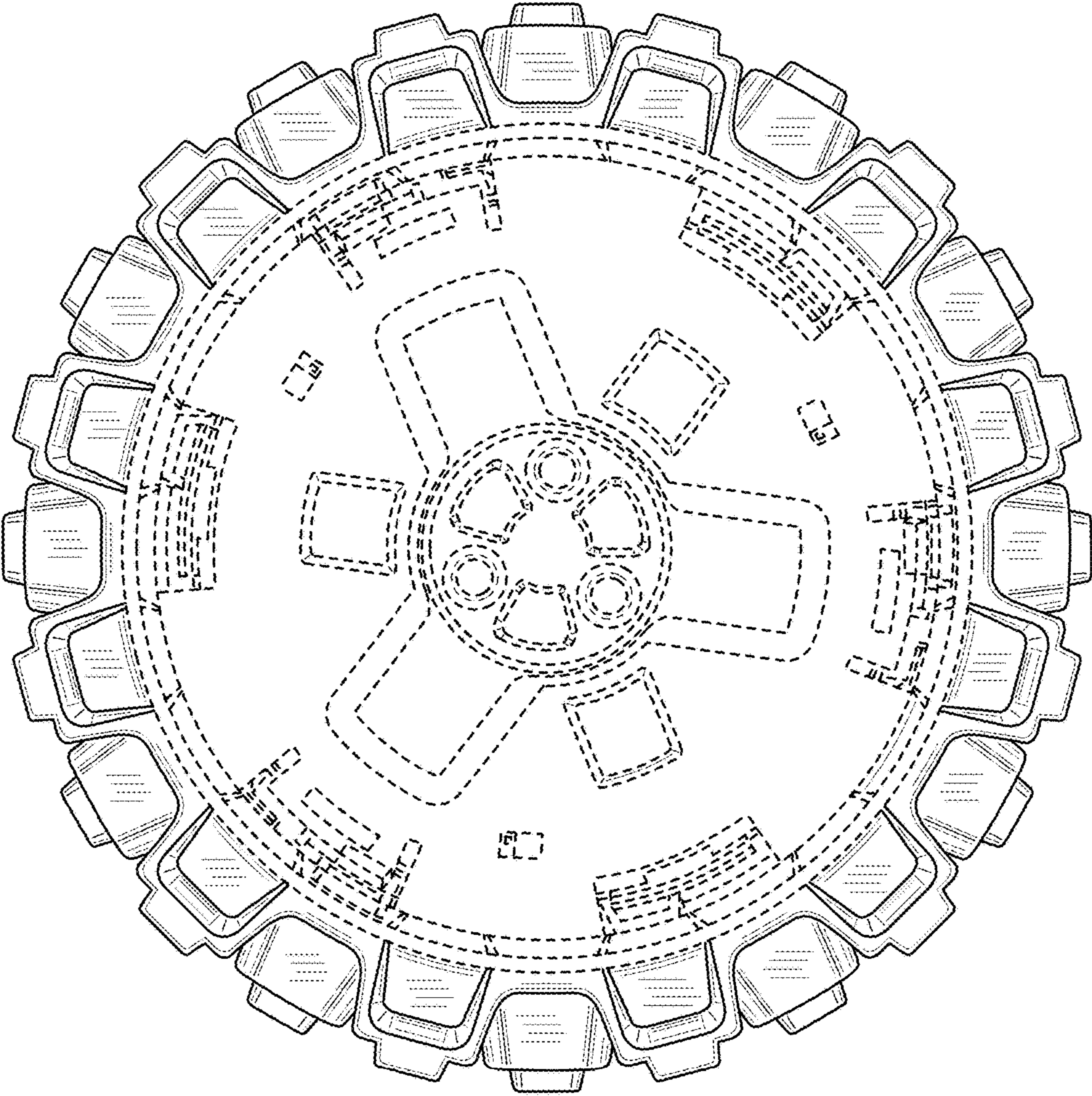


FIG. 3

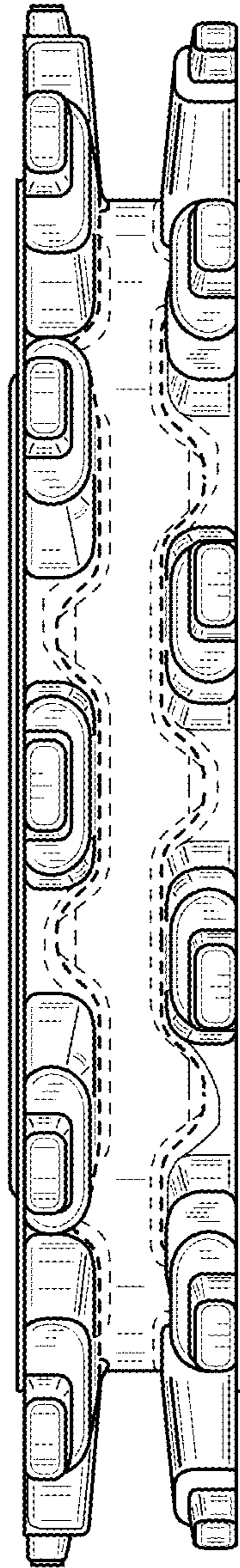


FIG. 4