



US00D794087S

(12) **United States Design Patent** (10) **Patent No.:** **US D794,087 S**
Hakes et al. (45) **Date of Patent:** **** Aug. 8, 2017**

(54) **TRACK ROLLER SYSTEM**
(71) Applicant: **Caterpillar Inc.**, Peoria, IL (US)
(72) Inventors: **David J. Hakes**, Brimfield, IL (US);
Roger E. Lawson, Brimfield, IL (US)
(73) Assignee: **Caterpillar Inc.**, Peoria, IL (US)
(**) Term: **15 Years**
(21) Appl. No.: **29/548,597**
(22) Filed: **Dec. 15, 2015**
(51) **LOC (10) Cl.** **15-03**
(52) **U.S. Cl.**
USPC **D15/28**
(58) **Field of Classification Search**
USPC D15/10, 28; 305/130, 134; 384/255
CPC B62D 55/14; B62D 55/10; B62D 55/08;
B62D 55/305; B62D 55/096; B62D
55/06; B62D 55/20; B62D 55/202; B62D
55/308
See application file for complete search history.

(56) **References Cited**
U.S. PATENT DOCUMENTS
1,926,244 A * 9/1933 Sargent B62D 55/08
305/138
2,989,351 A * 6/1961 Deysher B62D 55/0847
305/109
2,991,132 A * 7/1961 Schwartz B62D 55/08
305/142
3,504,952 A * 4/1970 Farmer F16C 23/10
384/255
4,257,653 A * 3/1981 Meisel, Jr. B62D 55/286
29/401.1
4,422,696 A 12/1983 Seit
4,455,053 A 6/1984 Rasmussen
4,636,012 A 1/1987 Smith et al.
5,409,306 A 4/1995 Bentz
5,988,775 A * 11/1999 Nordberg B62D 55/305
305/130

6,557,953 B1 * 5/2003 Kahle B62D 49/0635
305/130
6,968,914 B2 * 11/2005 Tucker B62D 55/065
180/9.62
7,226,137 B2 * 6/2007 Fornes B62D 55/32
180/9.52
7,530,650 B2 5/2009 Hannan et al.
7,806,209 B2 * 10/2010 Standish B62D 55/096
180/9.1
8,302,710 B2 * 11/2012 Allaire B60G 5/02
180/9.54
D727,974 S * 4/2015 Meyer D15/28
9,045,180 B2 6/2015 Brewer et al.
D761,882 S * 7/2016 Meyer D15/28
(Continued)

FOREIGN PATENT DOCUMENTS

AU 2003100265 B4 8/2003
EP 0850821 B1 3/2002

Primary Examiner — Mark Goodwin
(74) *Attorney, Agent, or Firm* — Saidman Design Law Group

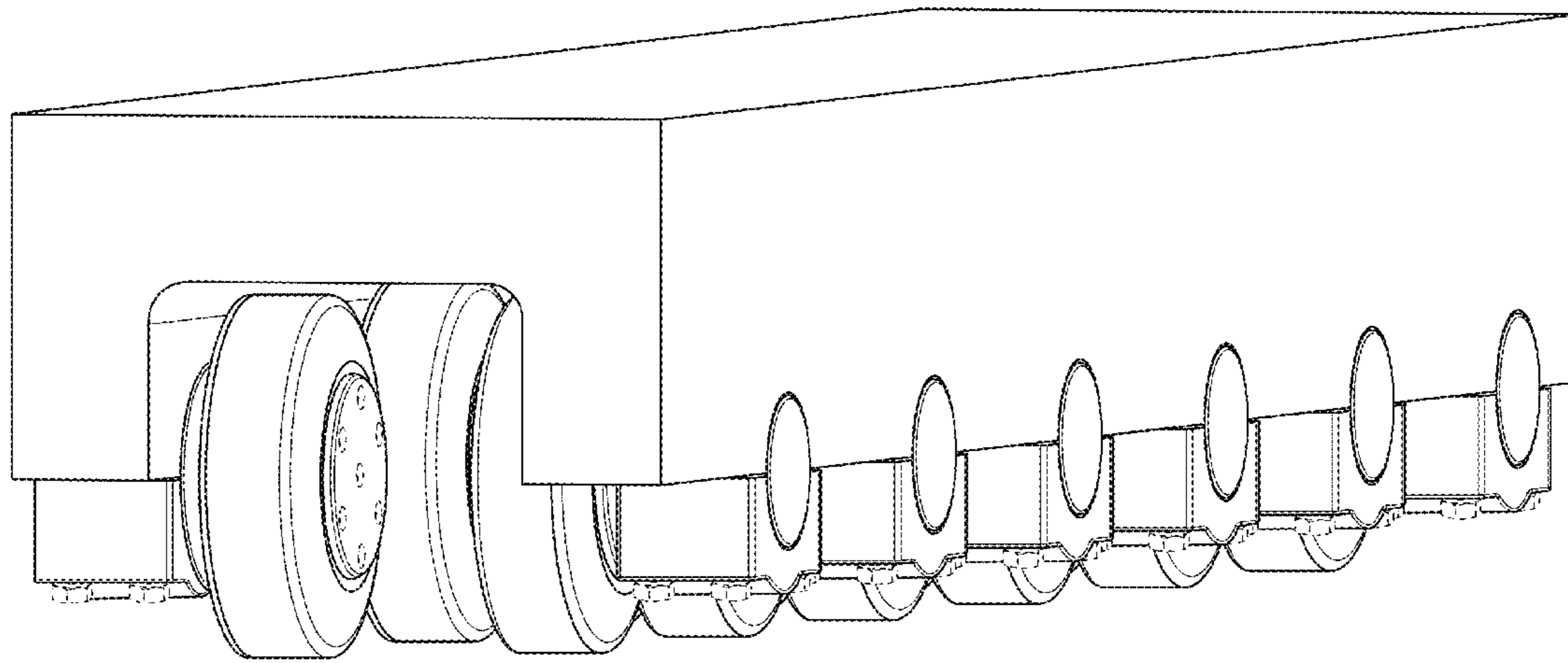
(57) **CLAIM**

The ornamental design for a track roller system, as shown and described.

DESCRIPTION

FIG. 1 is a front perspective view of a track roller system showing our new design;
FIG. 2 is a front view thereof;
FIG. 3 is a rear view thereof;
FIG. 4 is a right side view thereof;
FIG. 5 is a left side view thereof;
FIG. 6 is a top view thereof; and,
FIG. 7 is a bottom view thereof.
The dashed broken lines represent structure or features which form no part of the claimed design; the broken lines themselves form no part of the claimed design.

1 Claim, 3 Drawing Sheets



(56)

References Cited

U.S. PATENT DOCUMENTS

9,409,613	B2 *	8/2016	Hakes	B62D 55/202
2006/0028066	A1 *	2/2006	Yamamoto	B62D 55/096 305/139
2007/0029878	A1 *	2/2007	Gaudreault	A01G 23/062 305/130
2007/0170777	A1 *	7/2007	Plante	B62D 55/088 305/130
2010/0096196	A1 *	4/2010	VanderVeen	B62D 55/092 180/9.1
2014/0175864	A1 *	6/2014	Marchildon	B62D 55/14 305/130
2015/0344087	A1 *	12/2015	de Boe	B62D 55/10 305/142

* cited by examiner

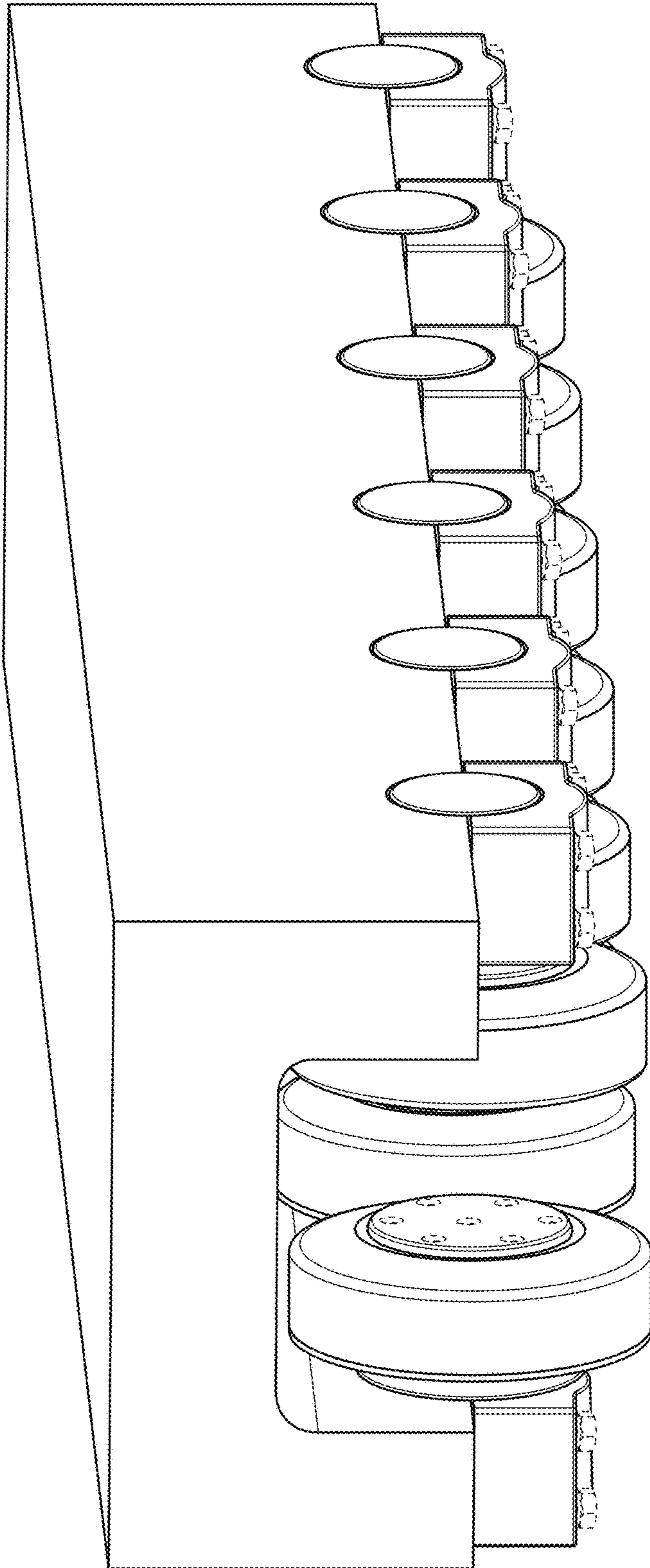


FIG. 1

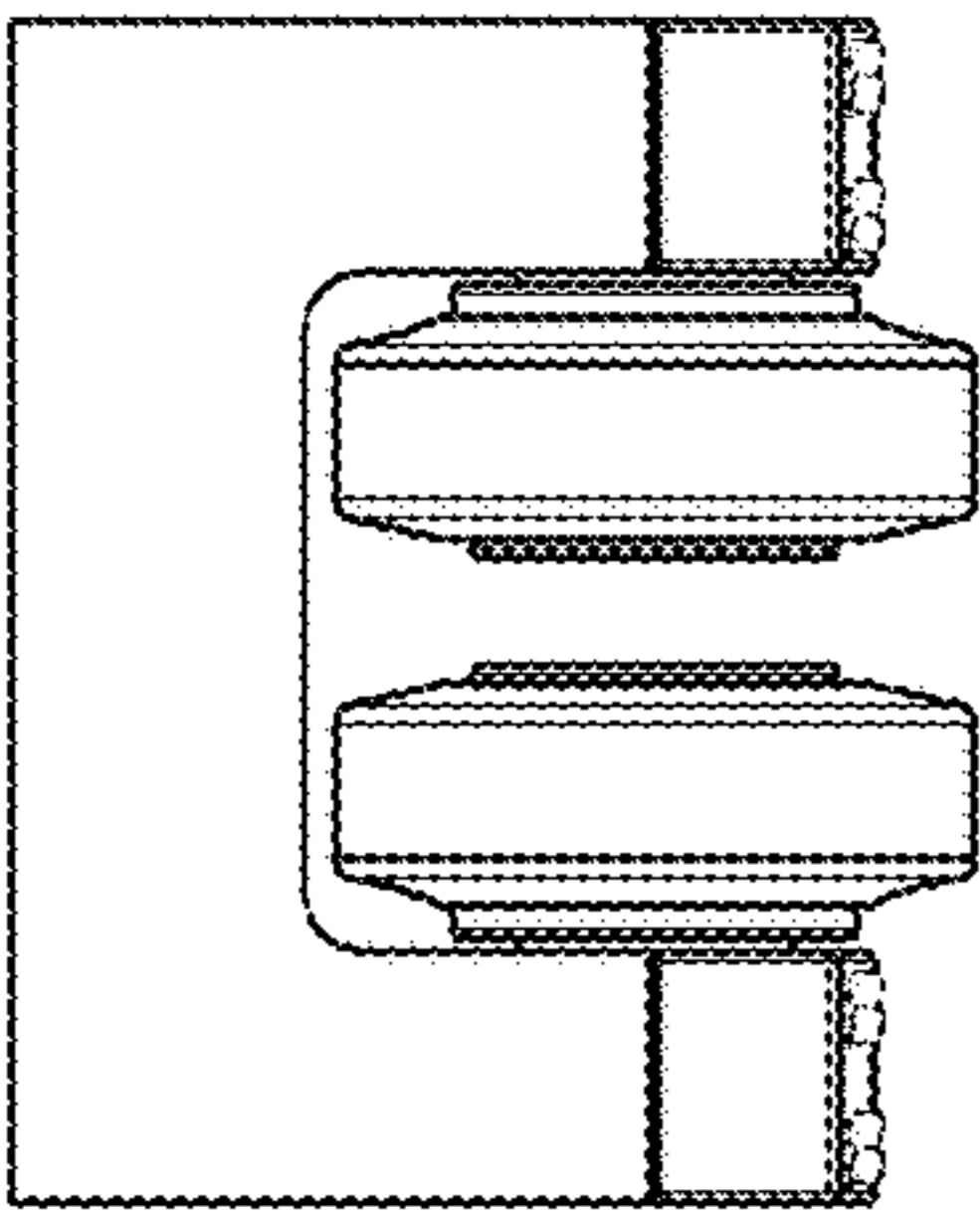


FIG. 2

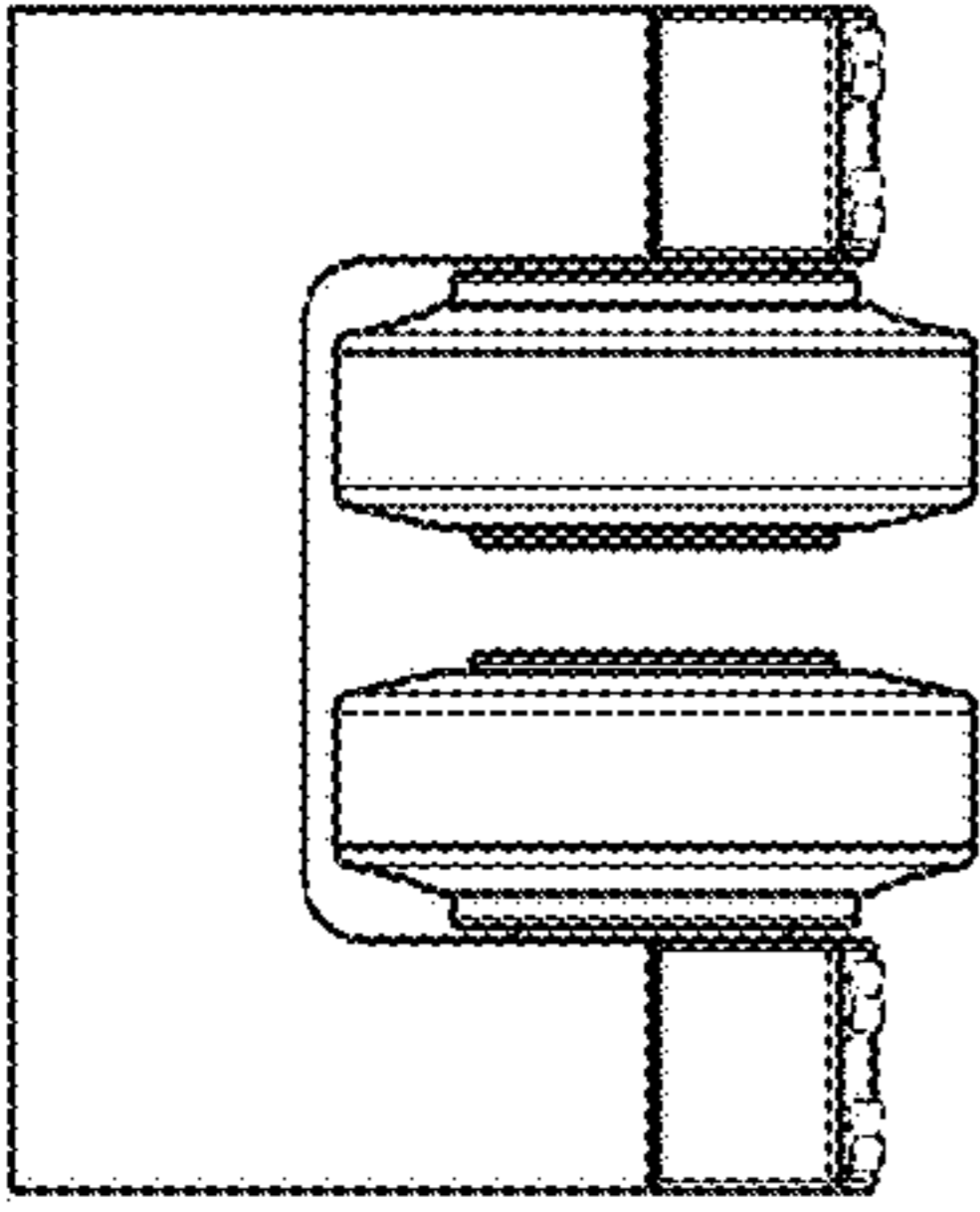


FIG. 3

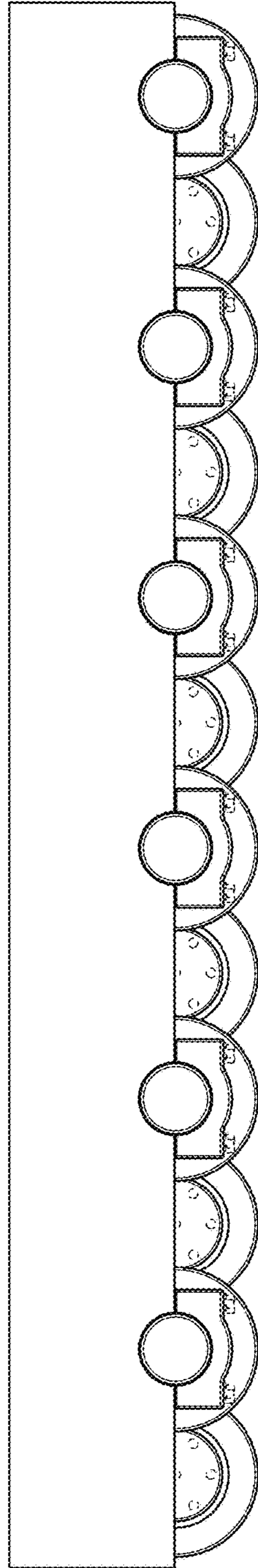


FIG. 4

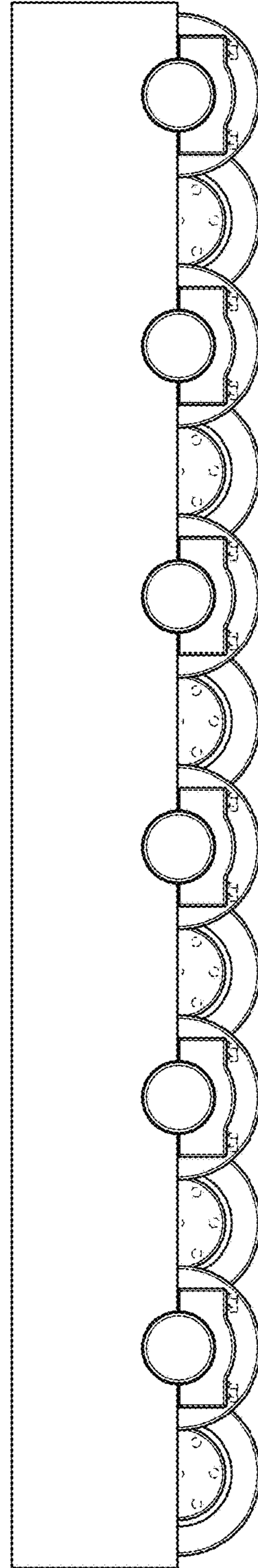


FIG. 5

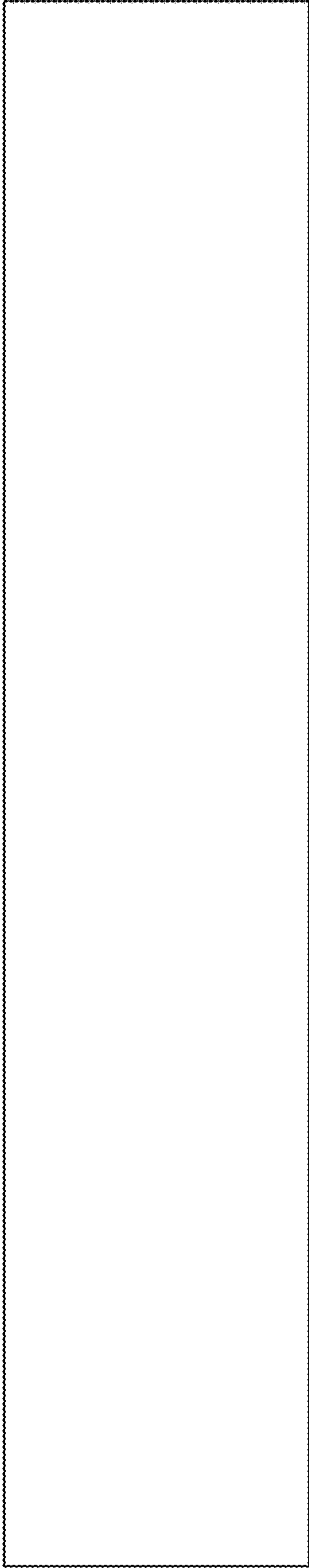


FIG. 6

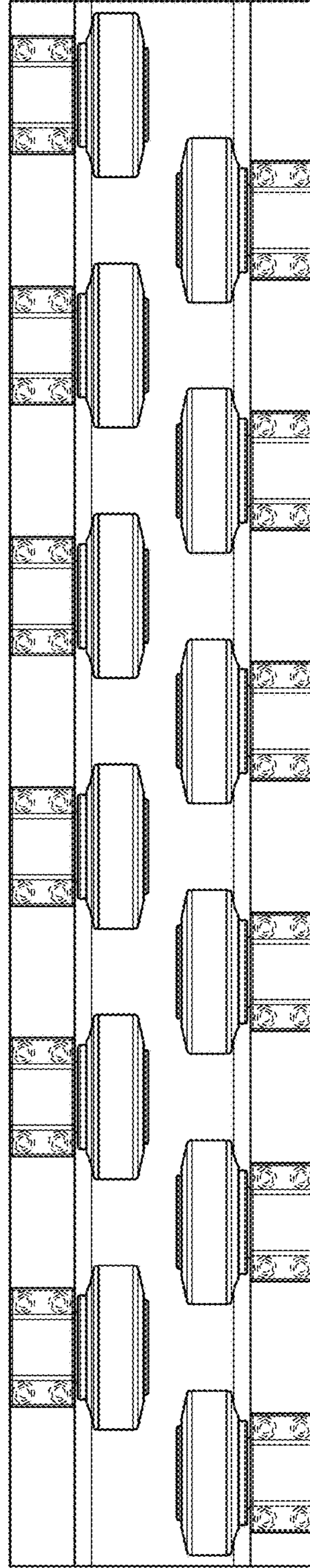


FIG. 7