



US00D794085S

(12) **United States Design Patent** (10) **Patent No.:** **US D794,085 S**
Tse et al. (45) **Date of Patent:** **** Aug. 8, 2017**

(54) **SMART IGNITION SYSTEM STARTER PANEL**

(71) Applicant: **HUSQVARNA AB**, Huskvarna (SE)

(72) Inventors: **Eric Tse**, Charlotte, NC (US); **Matthew Albinger**, Shelby, NC (US); **Sean Dwyer**, Gastonia, NC (US)

(73) Assignee: **HUSQVARNA AB**, Huskvarna (SE)

(**) Term: **15 Years**

(21) Appl. No.: **29/532,650**

(22) Filed: **Jul. 9, 2015**

Related U.S. Application Data

(63) Continuation of application No. 14/435,915, filed as application No. PCT/US2012/060584 on Oct. 17, 2012.

(51) **LOC (10) Cl.** **15-03**

(52) **U.S. Cl.**
USPC **D15/17**

(58) **Field of Classification Search**

USPC D15/28; D13/162, 164, 168; D14/217, D14/396, 400; D34/34, 35; 318/700, 318/701; 180/315, 316, 325, 19.1, 19.3, 180/90; 361/679, 680, 690; 700/90, 160, 700/17, 83; 296/70; 280/43.12, 752; 701/113; 123/179.3
CPC B62D 33/06; B60K 26/00; B60K 37/00; A01D 34/006; A01D 34/64; A01D 34/828; A01D 2101/00; F02N 11/0822; F02N 11/10; F02N 11/12; F02N 11/14; F02N 15/00; F02N 15/006; F02N 99/002

See application file for complete search history.

(56) **References Cited**

U.S. PATENT DOCUMENTS

5,818,330 A 10/1998 Schweiger
D406,830 S 3/1999 Herbstritt et al.
D432,995 S * 10/2000 Hubler D13/162
D434,425 S * 11/2000 Rossow D12/192
D436,604 S 1/2001 Rossow et al.
D439,257 S 3/2001 Rossow et al.
6,292,729 B2 9/2001 Falck et al.
6,445,084 B1 9/2002 Daiss et al.
6,609,357 B1 8/2003 Davis et al.

(Continued)

FOREIGN PATENT DOCUMENTS

CN 102655737 A 9/2012
DE 19630747 C1 9/1997

(Continued)

OTHER PUBLICATIONS

International Search Report and Written Opinion in the International patent application No. PCT/US2012/060584 mailed Jan. 4, 2013.

(Continued)

Primary Examiner — Mark Goodwin

(74) *Attorney, Agent, or Firm* — McNair Law Firm, P.A.

(57) **CLAIM**

The ornamental design for the smart ignition system starter panel, as shown and described.

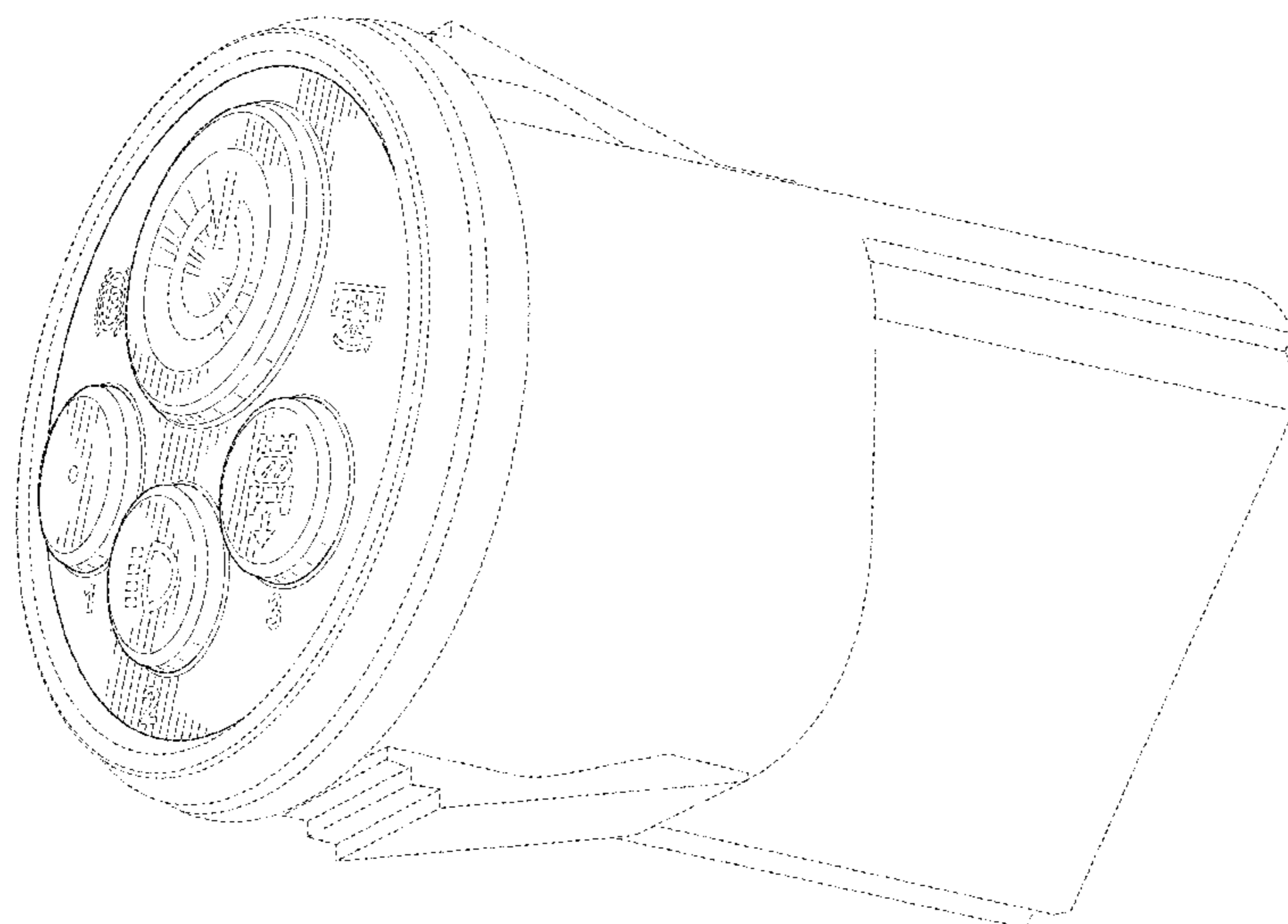
DESCRIPTION

FIG. 1 is a top perspective view of the smart ignition system starter panel in accordance with an embodiment of the present invention; and,

FIG. 2 is a top view of the smart ignition system starter panel of FIG. 1.

The broken lines of FIGS. 1 and 2 are illustrative of the visible environmental structure of the smart ignition system starter panel and form no part of the claimed design.

1 Claim, 2 Drawing Sheets



(56)

References Cited

U.S. PATENT DOCUMENTS

D487,727 S 3/2004 Sjögren et al.
 D525,409 S * 7/2006 Cantrill D12/192
 7,126,237 B2 10/2006 Walters et al.
 D546,770 S 7/2007 Herbstritt
 D553,577 S 10/2007 Seed et al.
 D557,645 S * 12/2007 Akagawa D12/192
 D578,272 S 10/2008 Kato et al.
 7,496,441 B2 2/2009 Brandt et al.
 D596,146 S 7/2009 Vasichek et al.
 7,610,975 B1 11/2009 Gust et al.
 D629,763 S 12/2010 Reedy
 D635,101 S 3/2011 Farrow
 7,992,603 B2 8/2011 Pellymonter
 D656,440 S 3/2012 Klein
 8,171,907 B2 5/2012 Koenen et al.
 8,261,872 B2 9/2012 Vasichek et al.
 8,381,885 B2 2/2013 Huibregtse et al.
 D689,443 S * 9/2013 Ewringmann D13/164
 D690,325 S * 9/2013 Scott D15/28
 8,668,036 B2 3/2014 Wyatt et al.
 D737,336 S * 8/2015 Ewringmann D15/28
 D742,936 S * 11/2015 Ewringmann D15/28

D752,115 S * 3/2016 Ewringmann D15/28
 D752,116 S * 3/2016 Ewringmann D15/28
 D752,657 S * 3/2016 Ewringmann D15/28
 D752,658 S * 3/2016 Ewringmann D15/28
 D760,814 S * 7/2016 Ewringmann D15/28
 D767,643 S * 9/2016 Sohngen D15/28
 D770,541 S * 11/2016 Ewringmann D15/28
 D777,800 S * 1/2017 Furuki D15/28
 2015/0296706 A1* 10/2015 Albinger A01D 34/828
 56/10.5
 2016/0356255 A1* 12/2016 Albinger F02D 41/042

FOREIGN PATENT DOCUMENTS

EP 0982202 A2 3/2000
 FR 2789950 A1 8/2000
 WO 2004005086 A2 1/2004

OTHER PUBLICATIONS

International Preliminary Report on Patentability in the International patent application No. PCT/US2012/060584 issued Jan. 8, 2015.

* cited by examiner

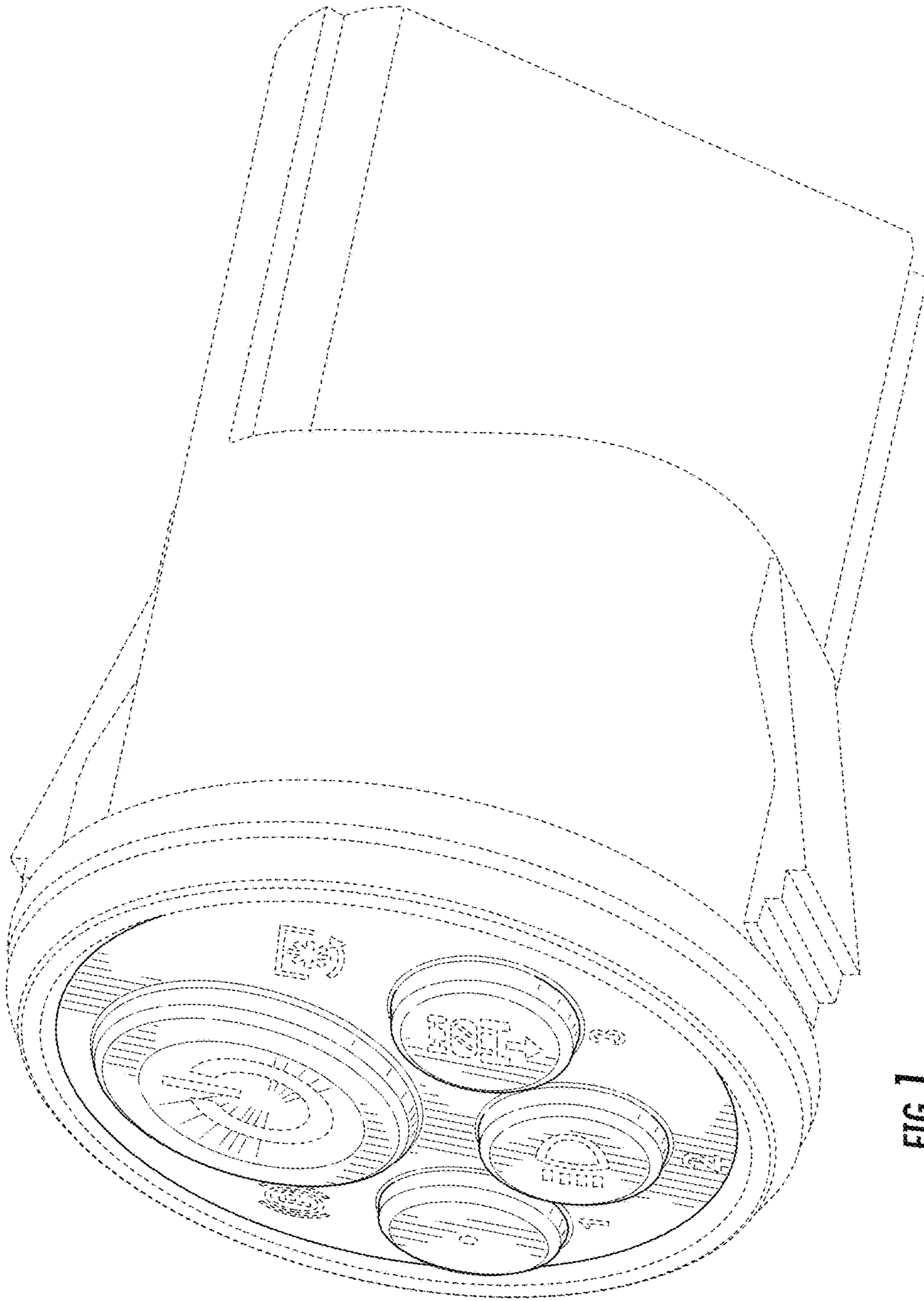


FIG. 1

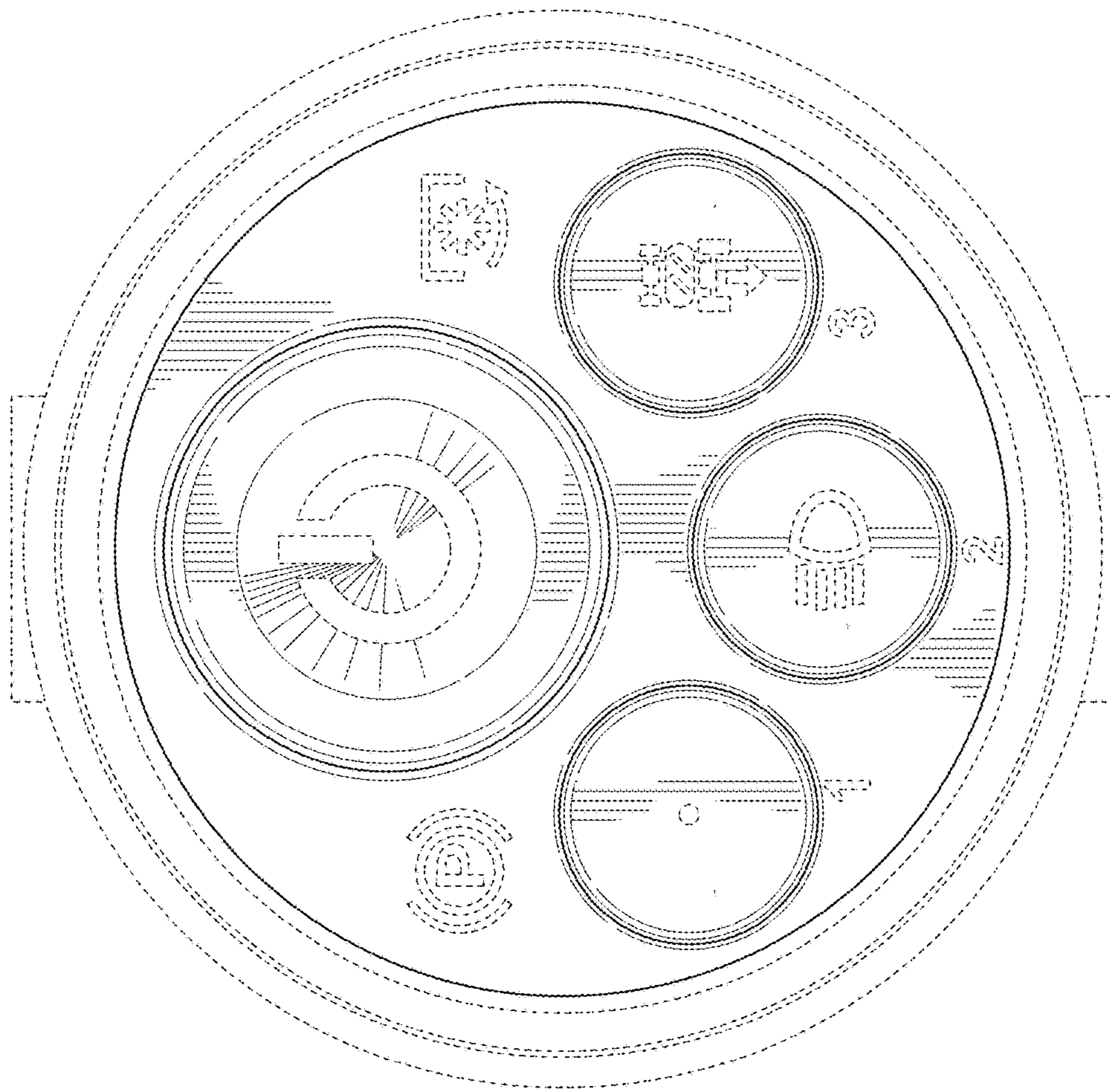


FIG. 2