



US00D794084S

(12) **United States Design Patent**  
**Montag et al.**

(10) **Patent No.:** **US D794,084 S**

(45) **Date of Patent:** **\*\* Aug. 8, 2017**

(54) **PARTICULATE METERING AIR CHAMBER**

(71) Applicant: **Montag Investments, LLC**,  
Emmetsburg, IA (US)

(72) Inventors: **Roger A. Montag**, Malcolm, NE (US);  
**Isaac Mogler**, West Bend, IA (US);  
**Jason Fehr**, Ottosen, IA (US)

(73) Assignee: **MONTAG INVESTMENTS, LLC**,  
Emmetsburg, IA (US)

(\*\*) Term: **14 Years**

(21) Appl. No.: **29/515,091**

(22) Filed: **Jan. 20, 2015**

(51) **LOC (10) Cl.** ..... **15-03**

(52) **U.S. Cl.**  
USPC ..... **D15/13**

(58) **Field of Classification Search**  
USPC ..... D15/13, 17, 28; 406/58, 109, 151, 197,  
406/38, 96, 97, 153, 123, 139, 57  
CPC ..... B65G 53/28; B65G 53/04; A01C 15/04  
See application file for complete search history.

(56) **References Cited**

**U.S. PATENT DOCUMENTS**

748,640	A *	1/1904	Nelson	.....	B65G 53/30 406/140
3,804,036	A *	4/1974	Seifert, Jr.	.....	A01C 7/20 111/152
4,227,863	A *	10/1980	Sommerer	.....	F04F 5/42 406/151
4,296,695	A *	10/1981	Quanbeck	.....	A01C 15/04 111/136
4,409,746	A *	10/1983	Beck	.....	B08B 9/08 37/195
4,449,862	A *	5/1984	Beck	.....	B01F 5/0057 37/195
4,563,123	A *	1/1986	Beck	.....	B04C 1/00 406/93
4,793,744	A	12/1988	Montag		

4,834,004	A	5/1989	Butuk et al.	
5,299,888	A	4/1994	Wysong et al.	
5,356,280	A *	10/1994	Ponzielli	..... B29B 17/0026 100/156
5,592,889	A	1/1997	Bourgault	
5,775,585	A	7/1998	Duello	

(Continued)

**OTHER PUBLICATIONS**

“International Application No. PCT/US2015/012021 International Search Report and Written Opinion”, May 5, 2015, 18 pages.

*Primary Examiner* — Mark Goodwin

(74) *Attorney, Agent, or Firm* — Goodhue, Coleman & Owens, P.C.

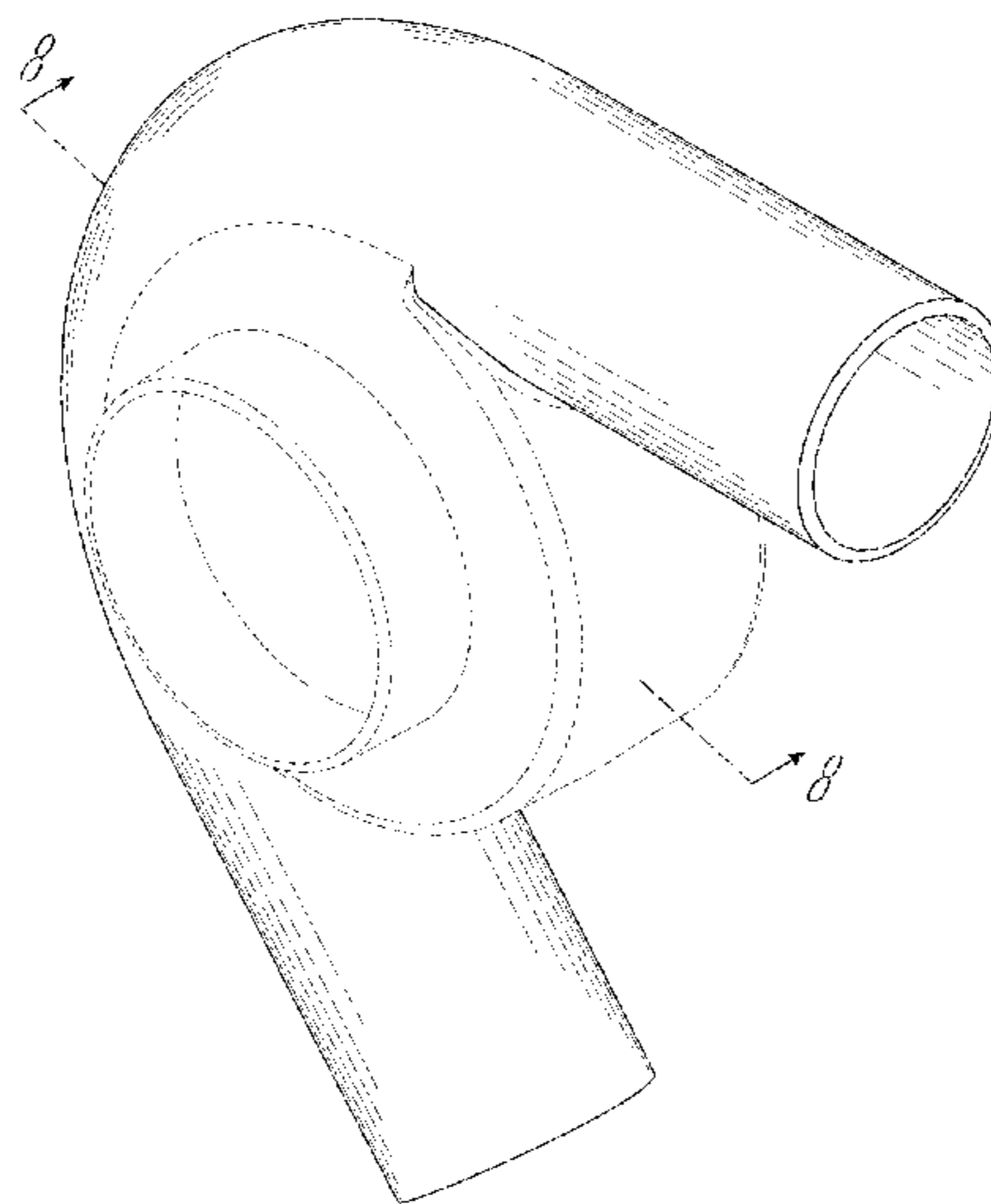
(57) **CLAIM**

The ornamental design for a particulate metering air chamber, as shown and described.

**DESCRIPTION**

FIG. 1 is a perspective view of a particulate metering air chamber showing our new designs;  
 FIG. 2 is a left side view of the particulate metering air chamber shown in FIG. 1;  
 FIG. 3 is a right side view of the particulate metering air chamber shown in FIG. 1;  
 FIG. 4 is a top view of the particulate metering air chamber shown in FIG. 1;  
 FIG. 5 is a bottom view of the particulate metering air chamber shown in FIG. 1;  
 FIG. 6 is a front view of the particulate metering air chamber shown in FIG. 1;  
 FIG. 7 is a back view of the particulate metering air chamber shown in FIG. 1; and,  
 FIG. 8 is a section view of the right side of the particulate metering air chamber shown in FIG. 1 taken along line 8.

**1 Claim, 8 Drawing Sheets**



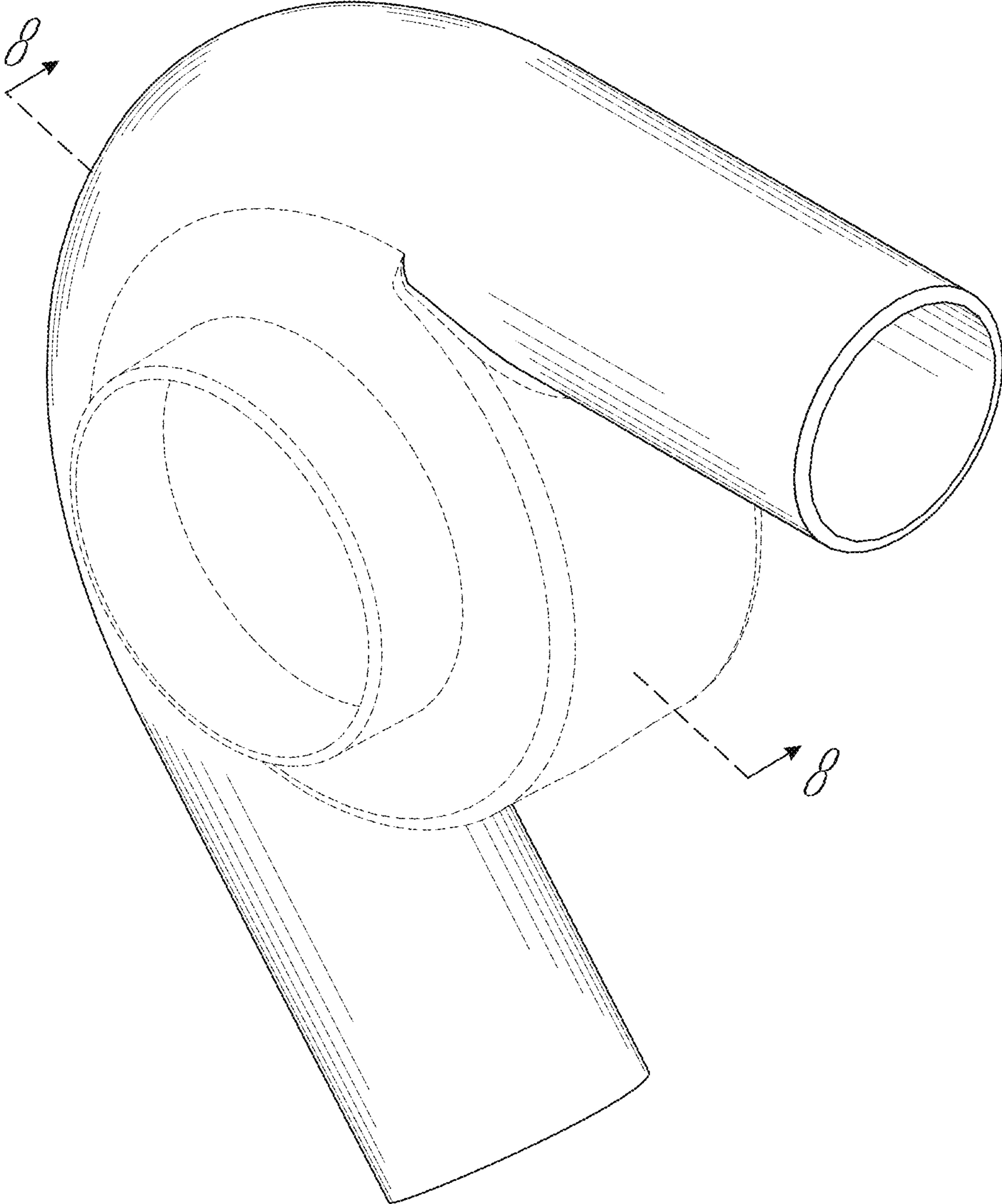
(56)

**References Cited**

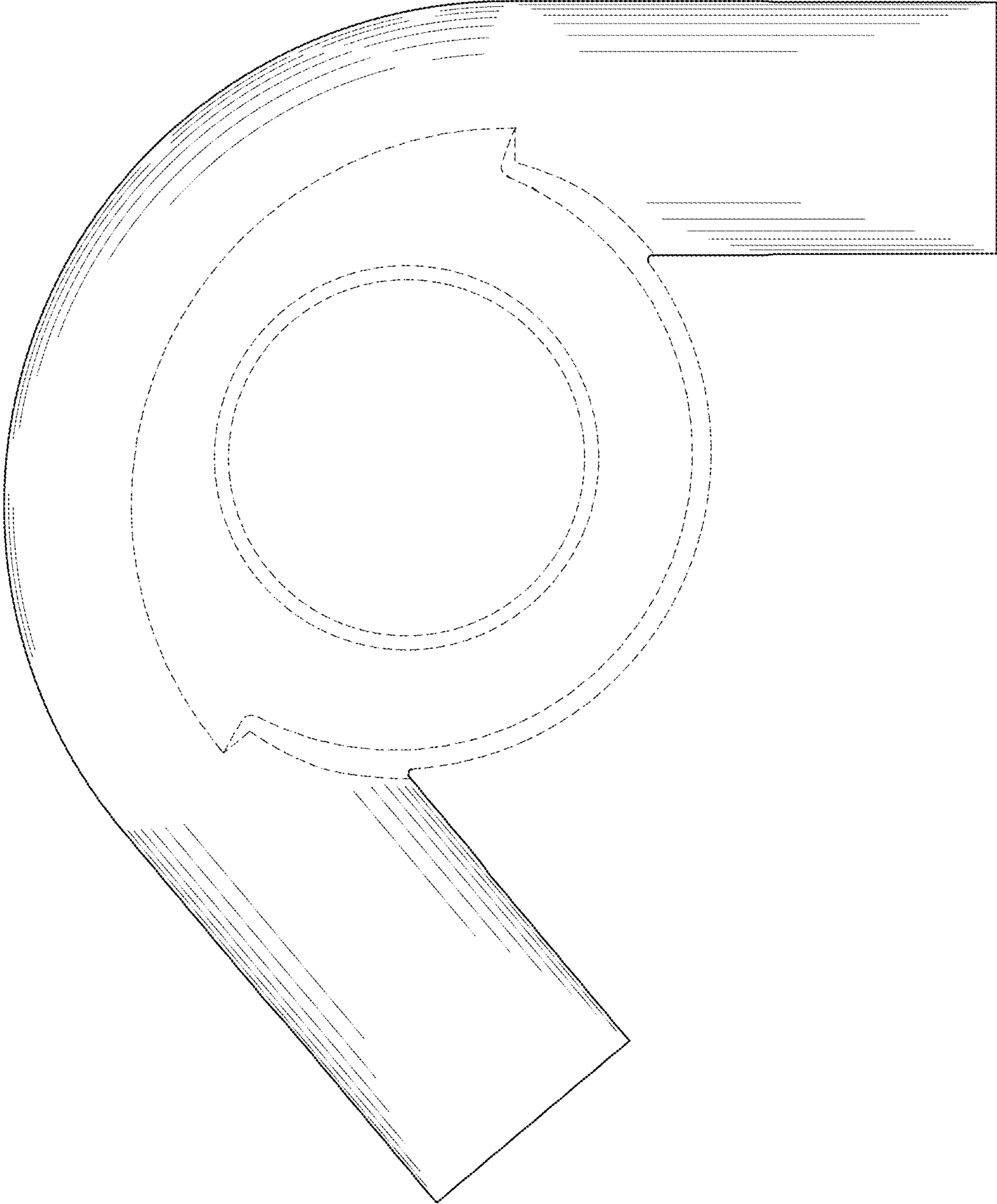
U.S. PATENT DOCUMENTS

5,842,649 A \* 12/1998 Beck ..... E01C 19/203  
239/677  
6,142,714 A \* 11/2000 Montag ..... B65G 53/28  
406/109  
2016/0207015 A1\* 7/2016 Montag ..... B01F 15/00331  
2016/0207016 A1\* 7/2016 Montag ..... B01F 15/00422  
2016/0207017 A1\* 7/2016 Montag ..... B01F 15/0216  
2016/0207018 A1\* 7/2016 Montag ..... B01F 15/0222  
2016/0207718 A1\* 7/2016 Montag ..... B01F 5/0602

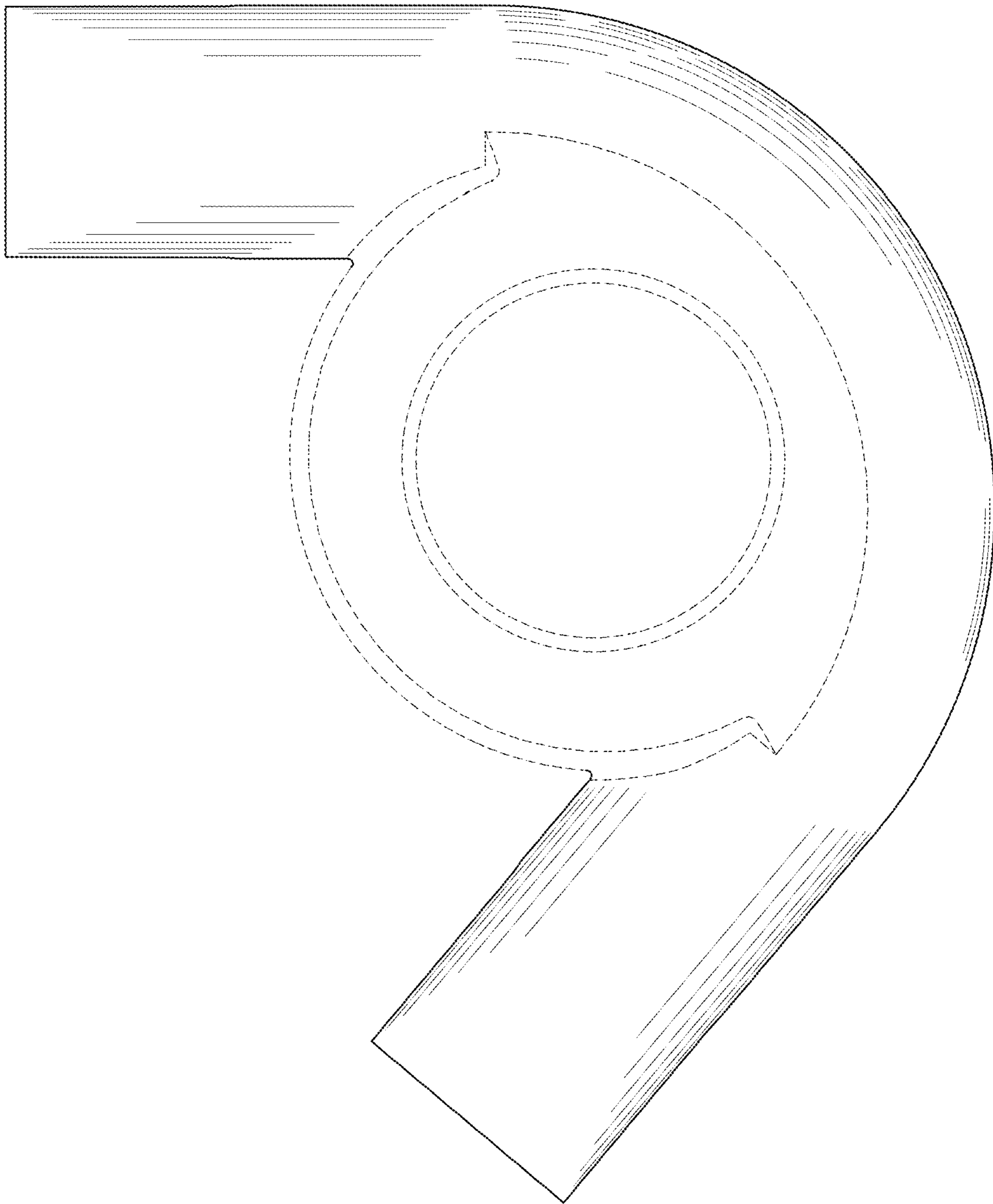
\* cited by examiner



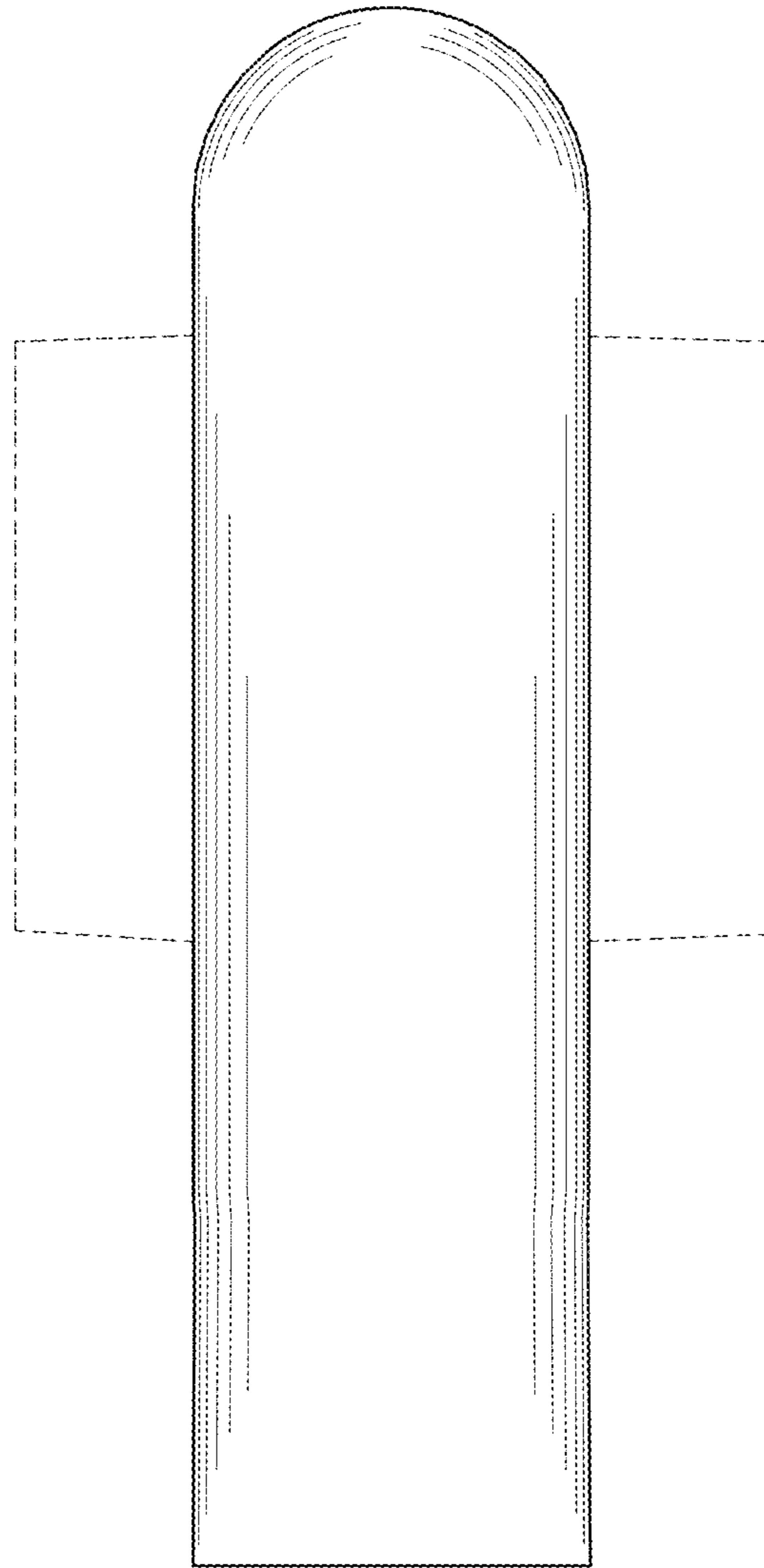
*Fig. 1*



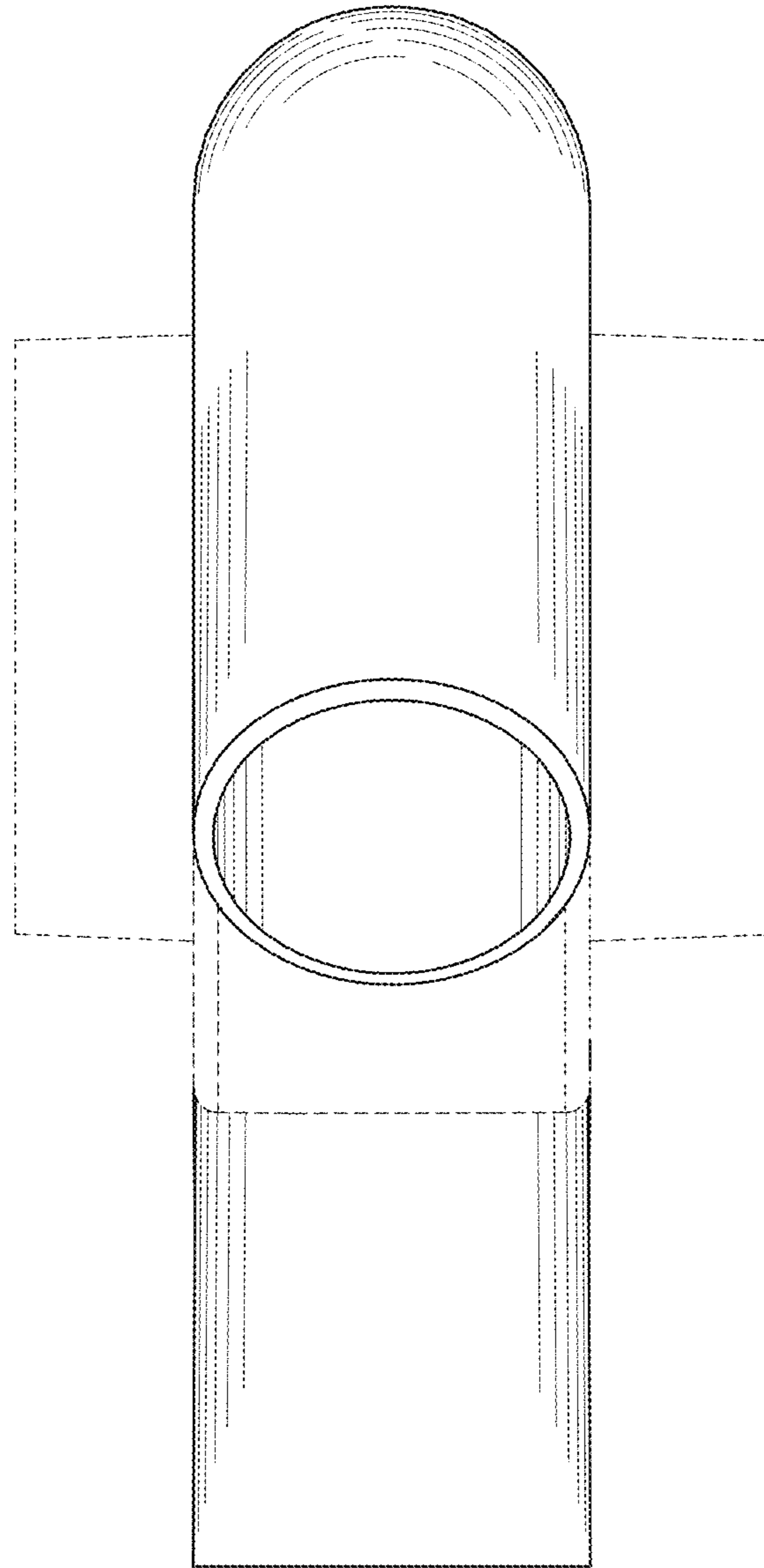
*Fig. 2*



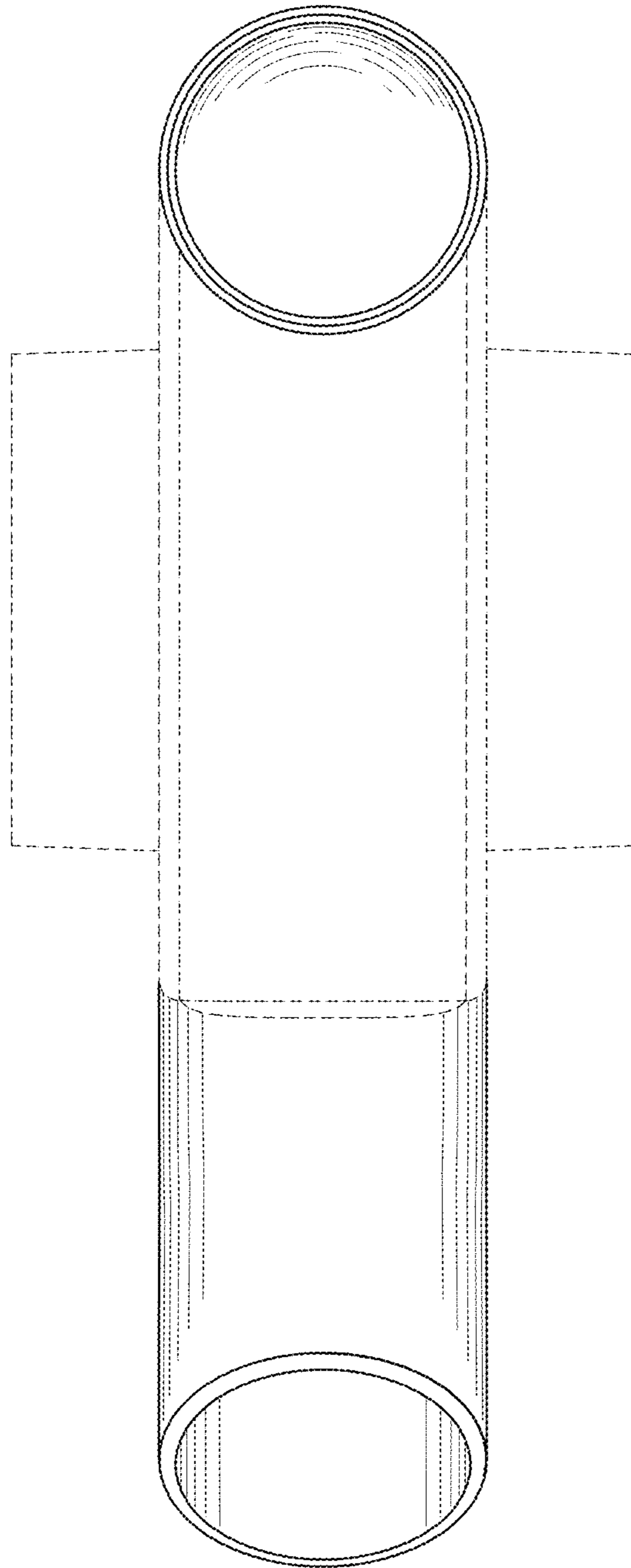
*Fig. 3*



*Fig. 4*

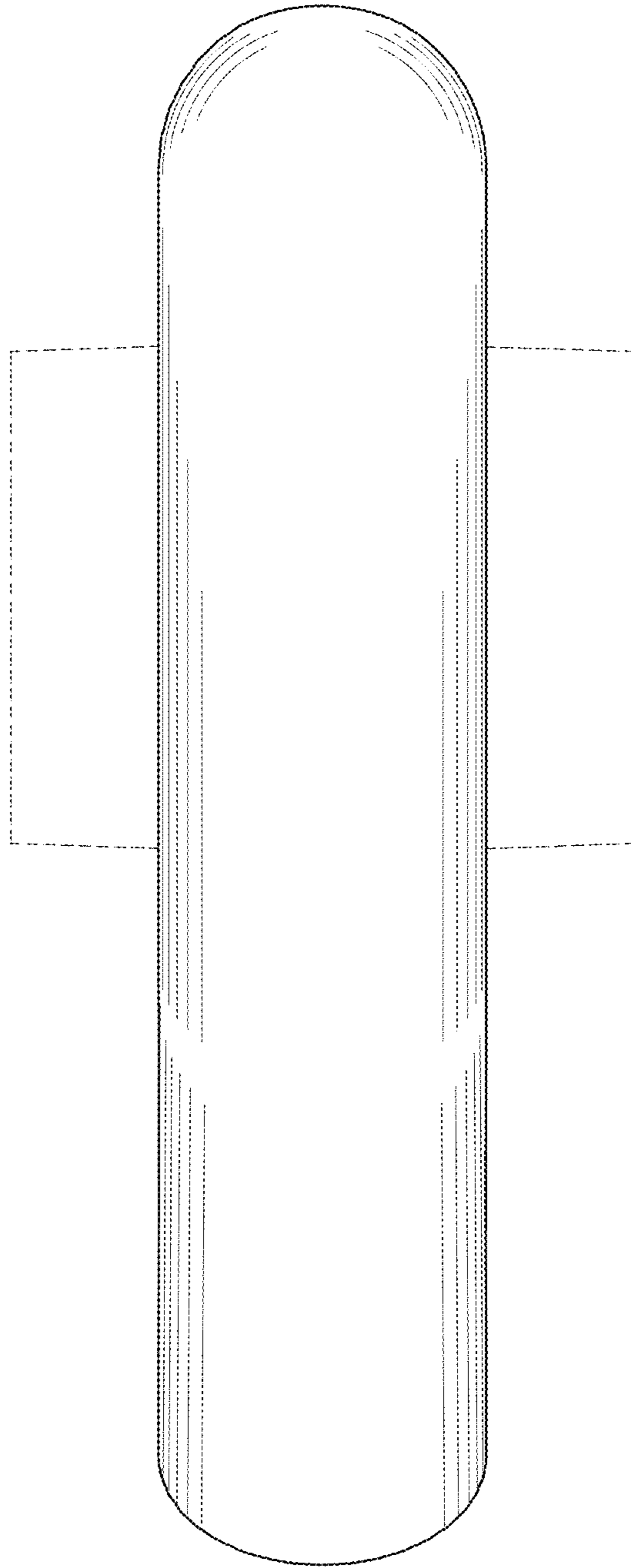


*Fig. 5*

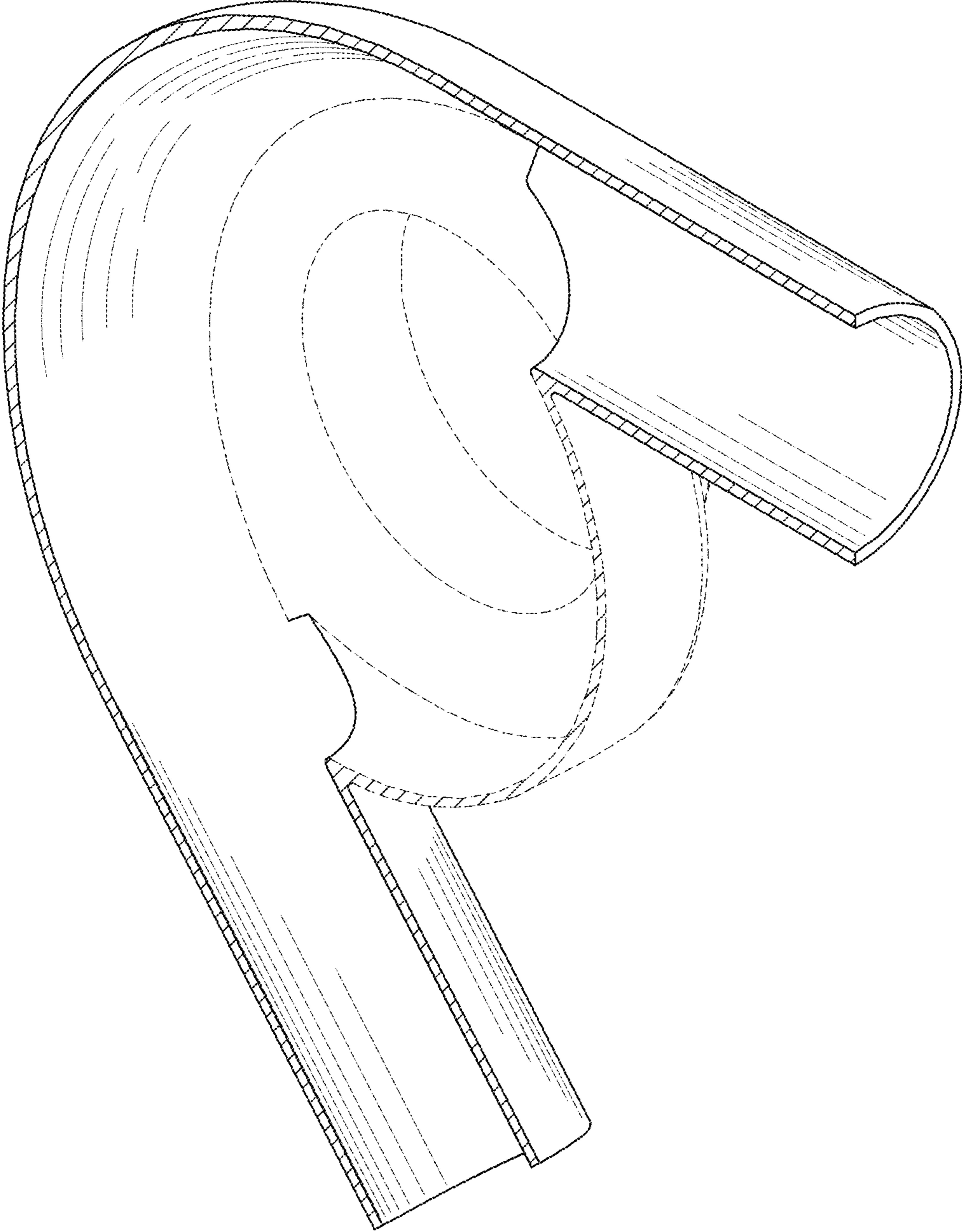


*Fig. 6*





*Fig. 7*



*Fig. 8*