



US00D794083S

(12) **United States Design Patent**  
**Cochran, Sr.**

(10) **Patent No.:** **US D794,083 S**

(45) **Date of Patent:** **\*\* Aug. 8, 2017**

(54) **CULTIVATOR FRAME**

(71) Applicant: **Tommy W. Cochran, Sr.**, Pavo, GA  
(US)

(72) Inventor: **Tommy W. Cochran, Sr.**, Pavo, GA  
(US)

(\*\*) Term: **15 Years**

(21) Appl. No.: **29/569,803**

(22) Filed: **Jun. 30, 2016**

(51) **LOC (10) Cl.** ..... **15-03**

(52) **U.S. Cl.**  
USPC ..... **D15/11; D15/27**

(58) **Field of Classification Search**  
USPC ..... D15/10, 11, 27, 28, 29, 33; 172/579,  
172/311, 568, 612, 468, 637, 662, 684.5,  
172/689, 551, 576, 595, 455, 518, 527,  
172/567, 586, 142, 152, 154, 178, 181,  
172/196, 442, 440, 441, 314, 548, 454,  
172/583, 140, 776, 22, 145-147, 175,  
172/669, 452, 2-11

CPC ..... A01B 49/00; A01B 49/02; A01B 35/16;  
A01B 35/28; A01B 61/046; A01B 21/08;  
A01B 23/06; A01B 29/04

See application file for complete search history.

(56) **References Cited**

**U.S. PATENT DOCUMENTS**

D251,562 S \* 4/1979 Hansen ..... D15/11  
D281,881 S \* 12/1985 Swartzendruber ..... D15/11

D299,652 S \* 1/1989 Taylor ..... D15/11  
D299,721 S \* 2/1989 Webster ..... D15/11  
D300,142 S \* 3/1989 Miller ..... D15/11  
D625,339 S \* 10/2010 Monk ..... D15/11  
D635,590 S \* 4/2011 Kovach ..... D15/11  
D667,847 S \* 9/2012 Kovach ..... A01B 49/02  
D15/11  
D668,687 S \* 10/2012 Kromminga ..... D15/11  
D706,835 S \* 6/2014 Degelman ..... D15/11  
D760,299 S \* 6/2016 Achten ..... D15/11  
D765,148 S \* 8/2016 Degelman ..... D15/11

\* cited by examiner

*Primary Examiner* — Mark Goodwin

(74) *Attorney, Agent, or Firm* — Brian D. Bellamy

(57) **CLAIM**

The ornamental design for a cultivator frame, as shown and described.

**DESCRIPTION**

FIG. 1 is a perspective view of a cultivator frame showing my new design;

FIG. 2 is a front side view thereof;

FIG. 3 is a rear side view thereof;

FIG. 4 is a left side view thereof;

FIG. 5 is a right side view thereof;

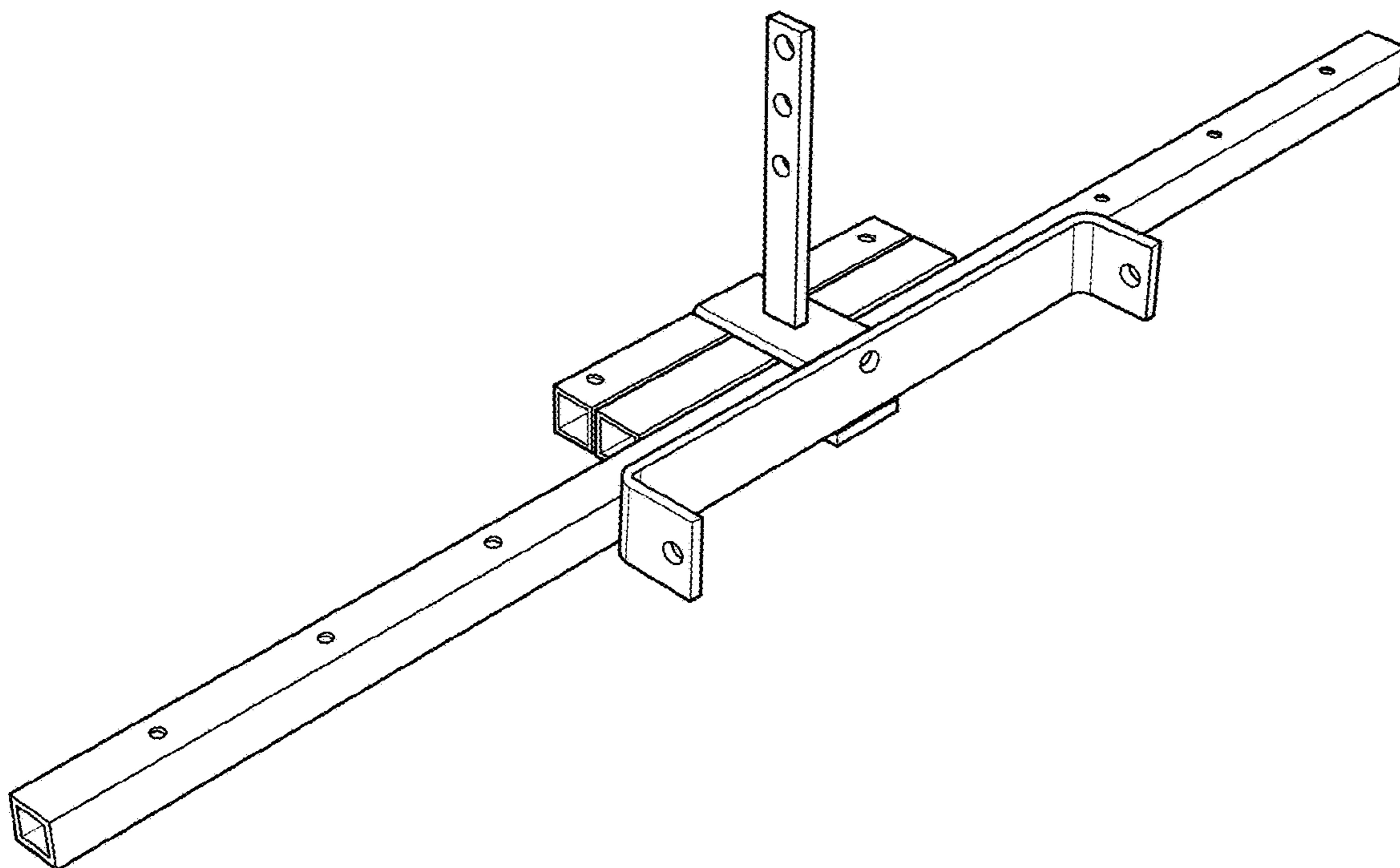
FIG. 6 is a top view thereof; and

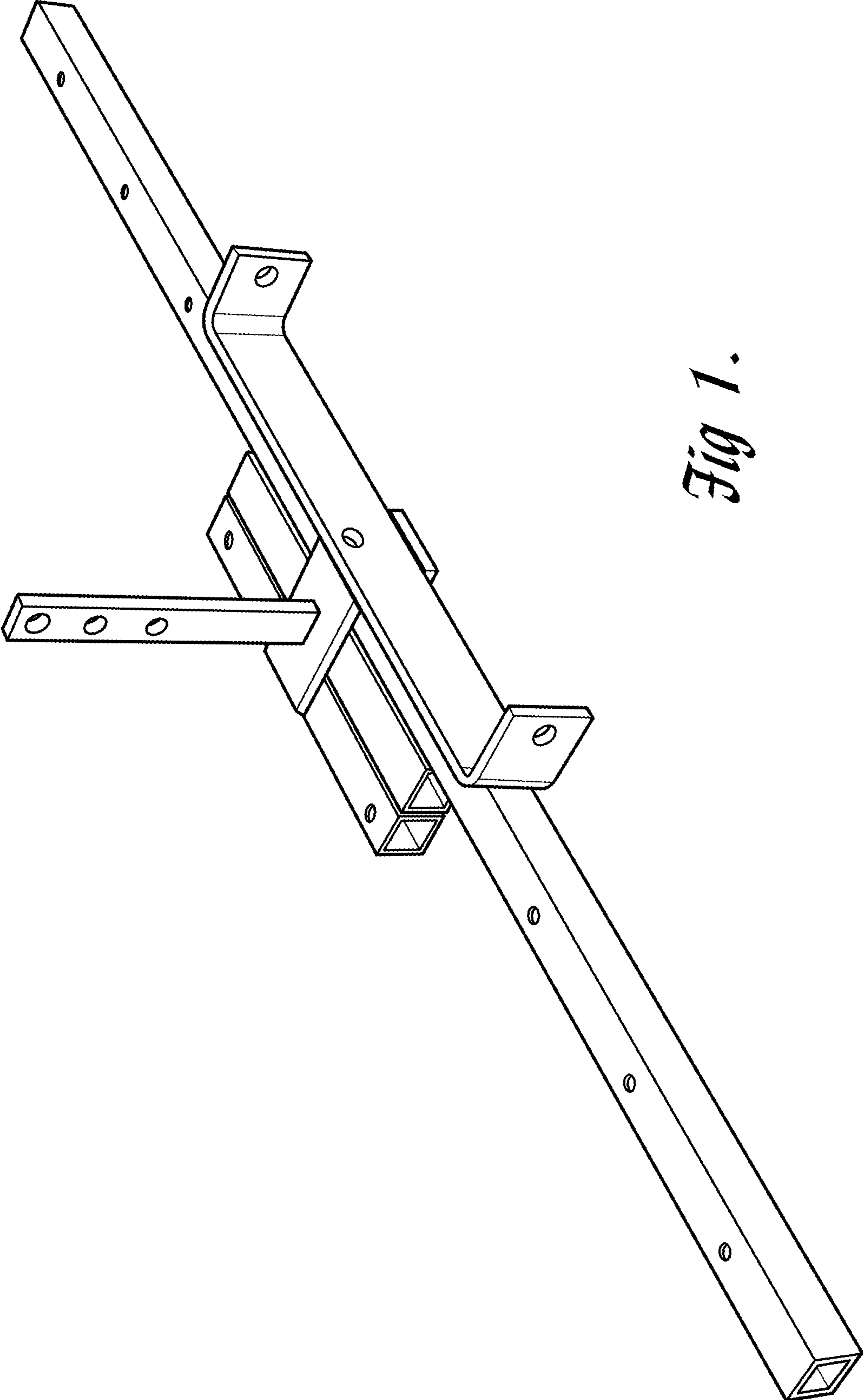
FIG. 7 is a bottom view thereof; and,

FIG. 8 is a perspective view thereof.

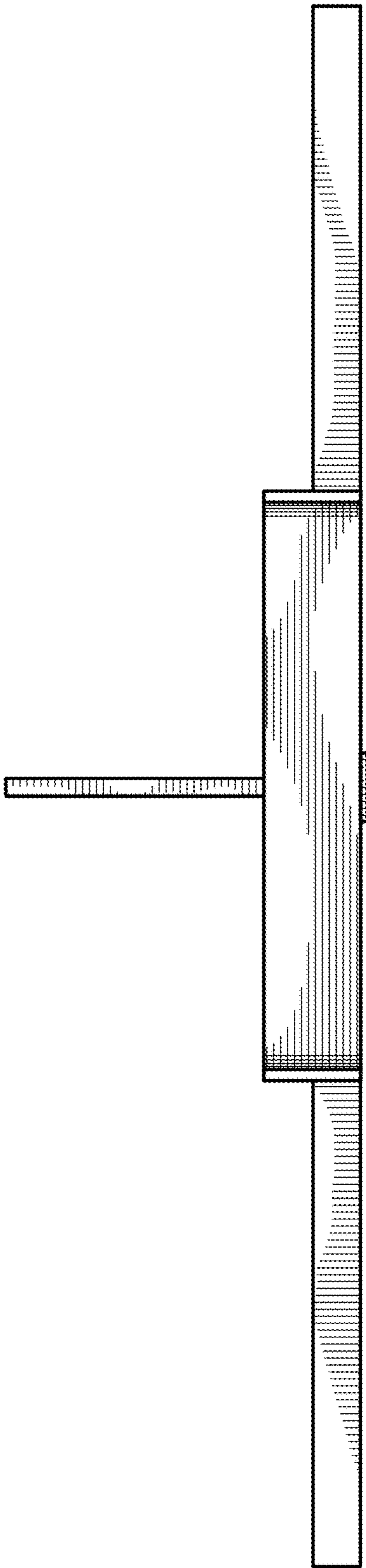
The broken lines shown in the drawing view of FIG. 8 are for illustrative purposes only and form no part of the claimed design.

**1 Claim, 5 Drawing Sheets**

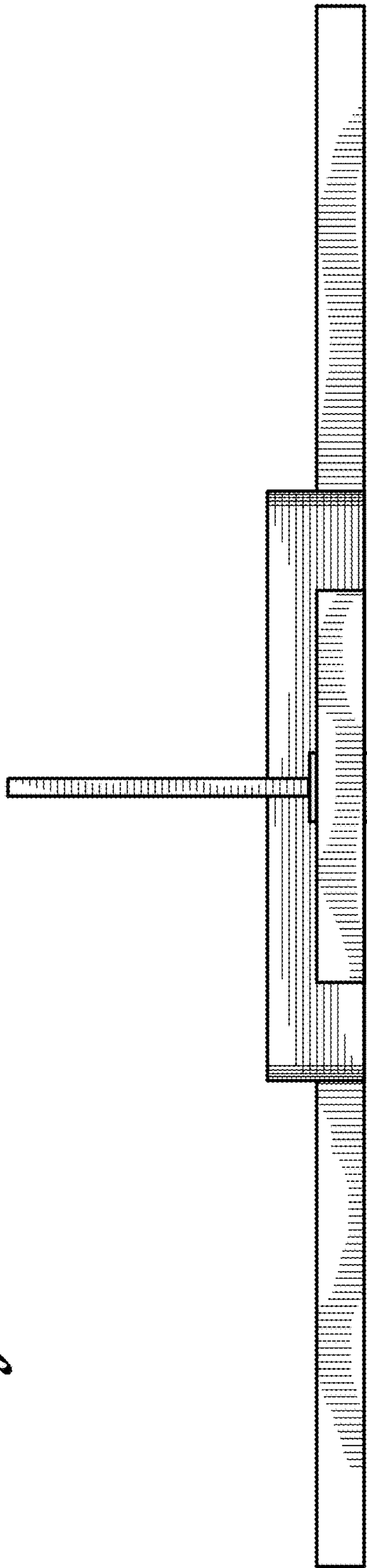




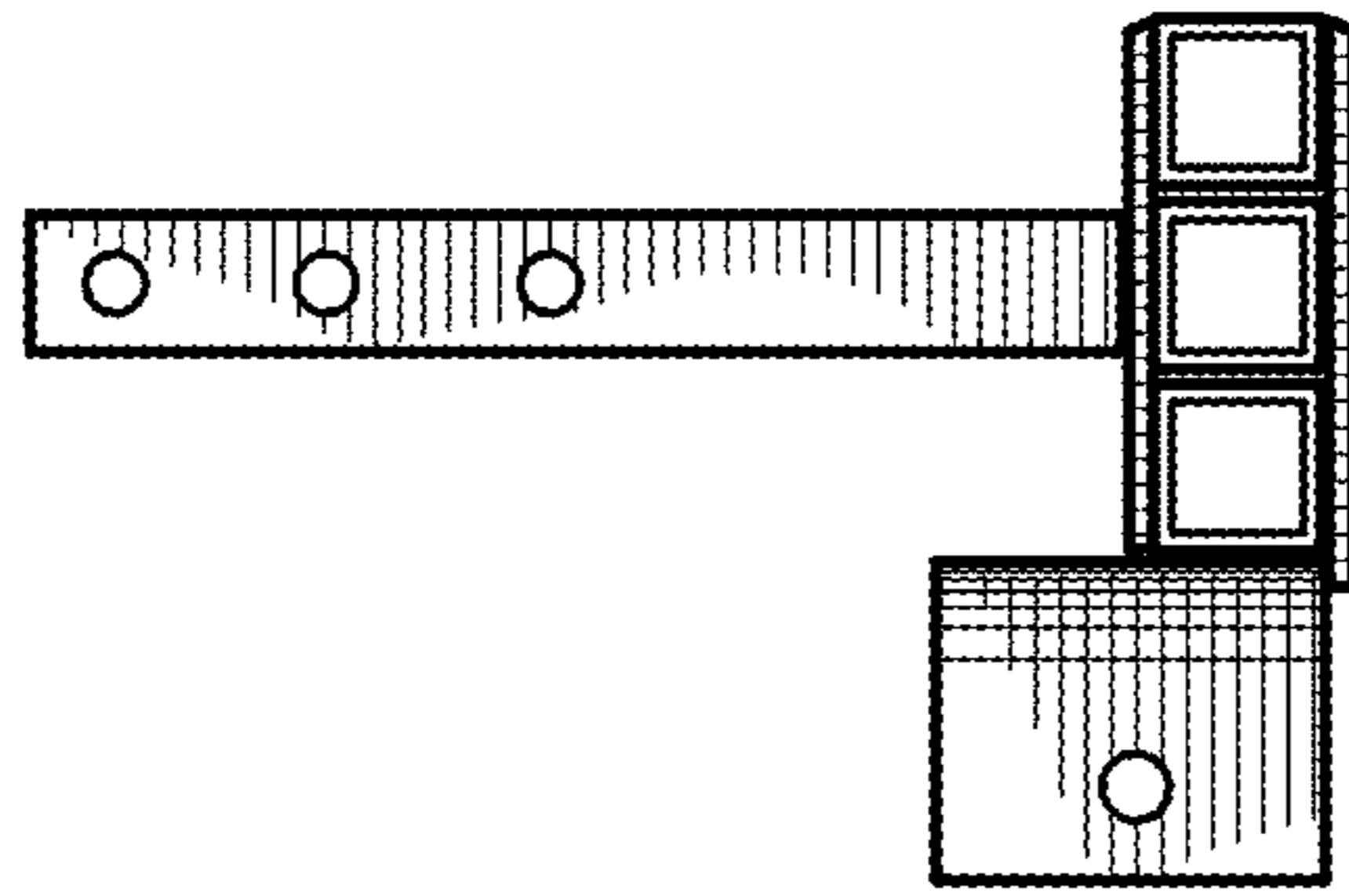
*Fig 1.*



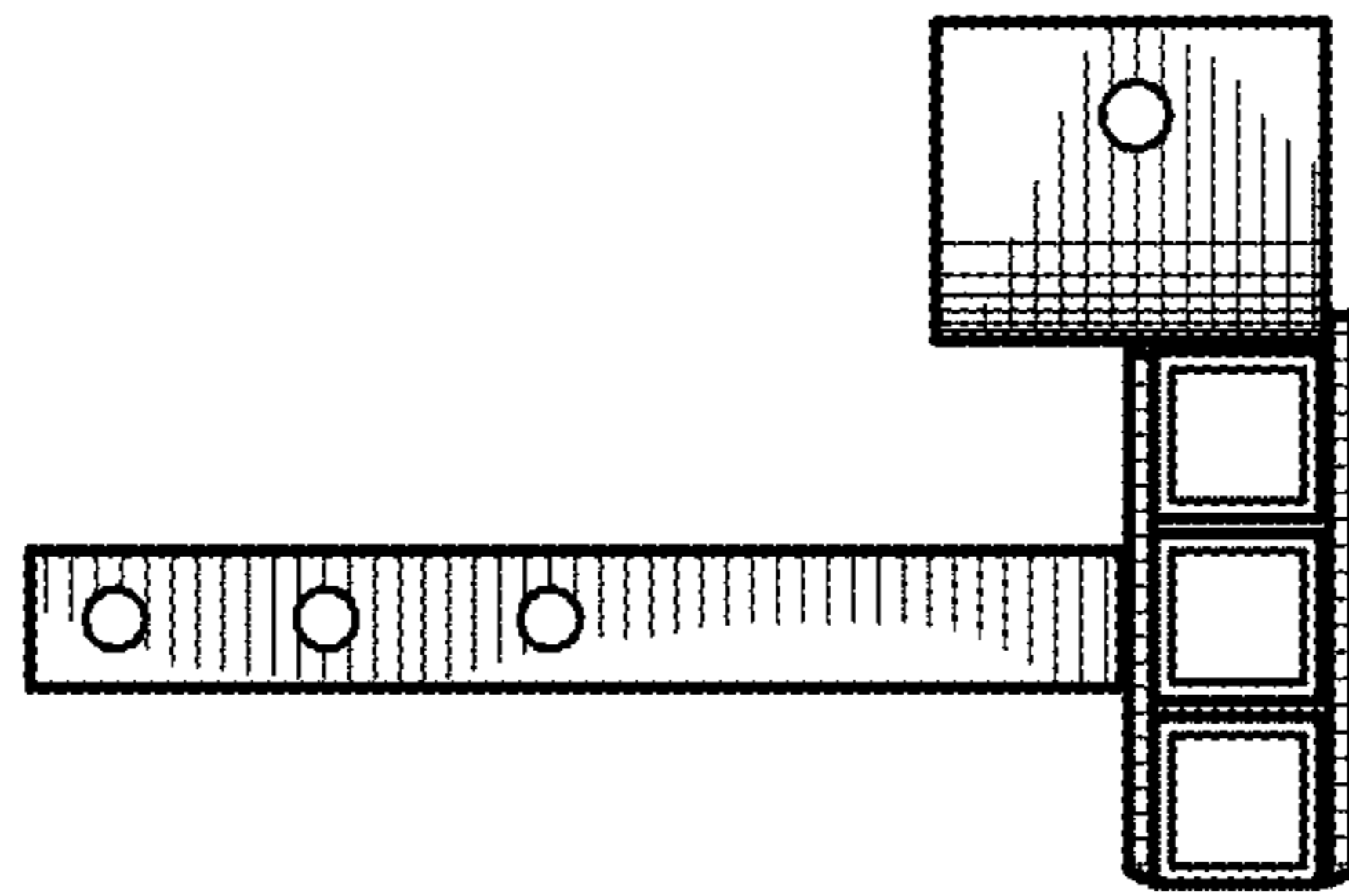
*Fig. 2*



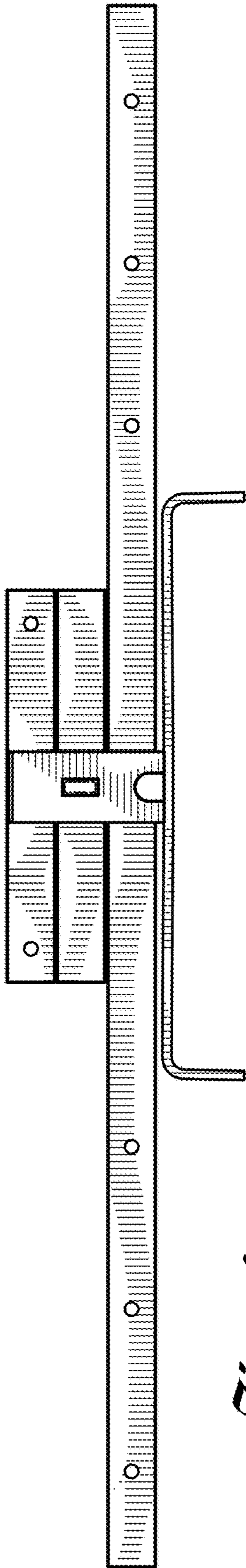
*Fig. 3*



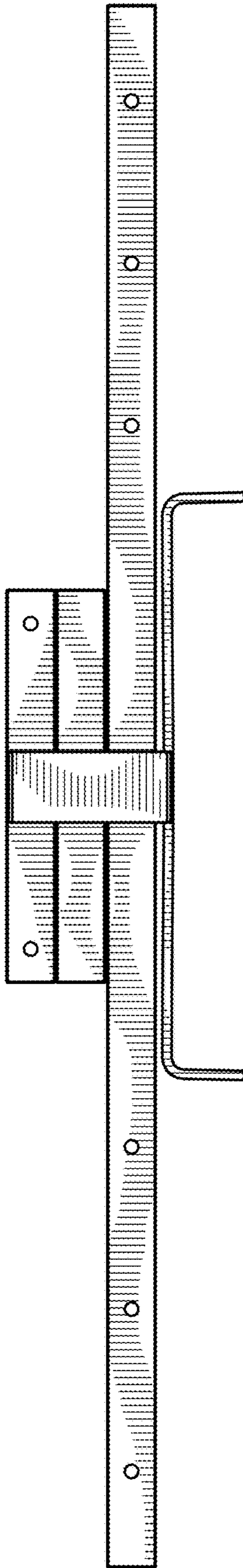
*Fig. 5*



*Fig. 4*



*Fig. 6*



*Fig. 7*

