



US00D794078S

(12) **United States Design Patent**
Vaninetti

(10) **Patent No.:** **US D794,078 S**

(45) **Date of Patent:** **** Aug. 8, 2017**

- (54) **TILLER GRIP**
- (71) Applicant: **Brunswick Corporation**, Lake Forest, IL (US)
- (72) Inventor: **Travis J. Vaninetti**, Neenah, WI (US)
- (73) Assignee: **Brunswick Corporation**, Lake Forest, IL (US)
- (**) Term: **15 Years**
- (21) Appl. No.: **29/575,032**
- (22) Filed: **Aug. 22, 2016**
- (51) **LOC (10) Cl.** **15-01**
- (52) **U.S. Cl.**
USPC **D15/4**
- (58) **Field of Classification Search**
USPC D15/4, 5; 114/114 R, 146; 74/480 B, 74/483 R, 491, 492, 481, 523, 543; D12/317; 440/84, 86, 87, 63, 53
CPC B63H 21/213; B63H 21/00; B63H 21/22; B63H 20/007; B63H 20/00; B63H 20/10; B63H 20/12; B63H 25/42
See application file for complete search history.

- 6,093,066 A * 7/2000 Isogawa B63H 21/265 440/63
- 6,264,516 B1 7/2001 McEathron et al.
- 6,406,342 B1 6/2002 Walczak et al.
- 6,902,450 B2 * 6/2005 Ohtsuki F02B 61/045 440/63
- 7,090,551 B1 8/2006 Lokken et al.
- D527,737 S * 9/2006 Iekura D15/4
- 7,214,113 B2 * 5/2007 Kojima B63H 21/213 440/87
- D552,129 S * 10/2007 Steinberg D15/4
- D611,501 S 3/2010 Vignau et al.
- D611,502 S 3/2010 Vignau et al.
- 7,677,938 B2 3/2010 Wiatrowski et al.

(Continued)

Primary Examiner — Mark Goodwin

(74) *Attorney, Agent, or Firm* — Andrus Intellectual Property Law, LLP

(57) **CLAIM**

The ornamental design for a tiller grip, as shown and described.

DESCRIPTION

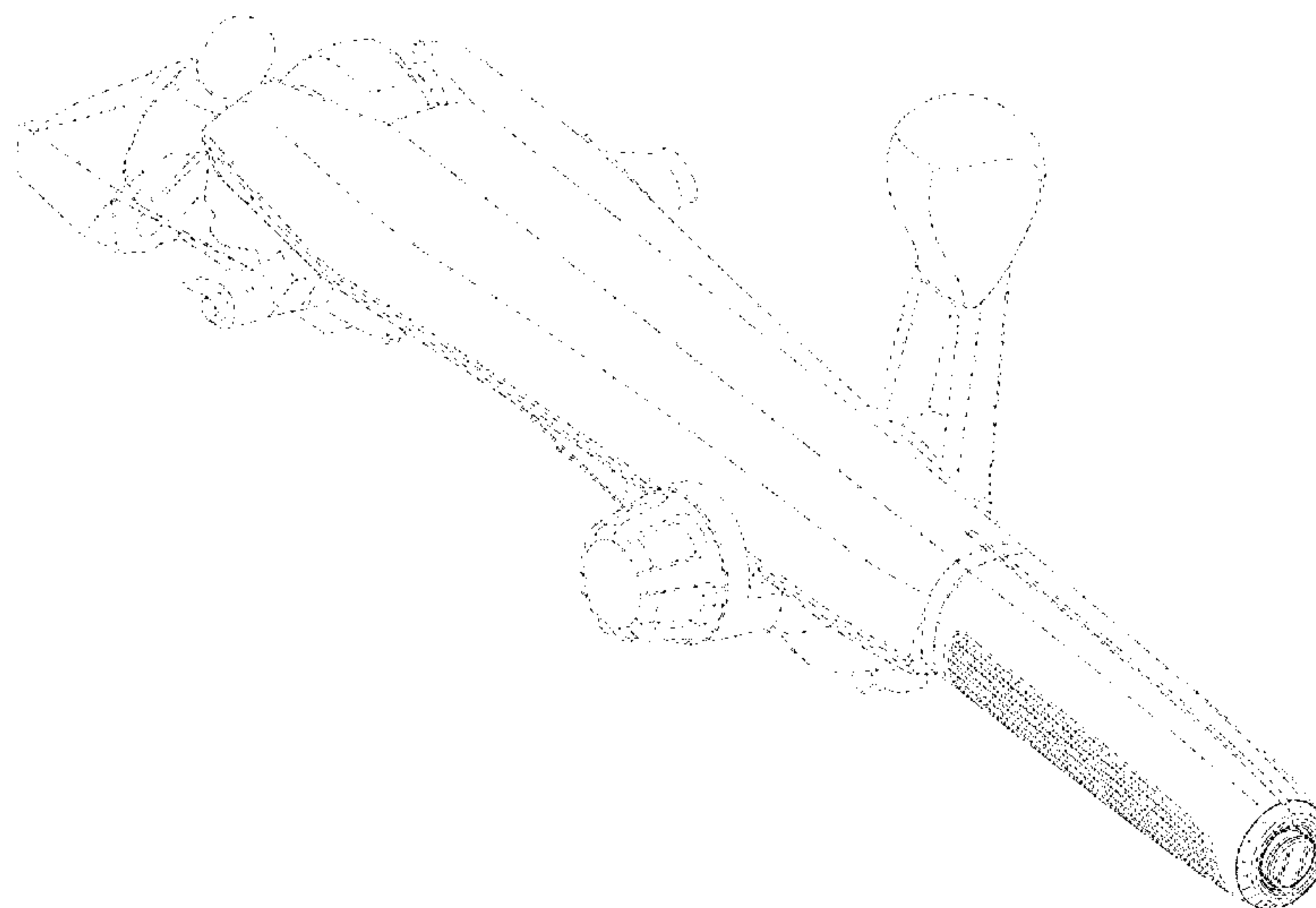
FIG. 1 is a perspective view of a tiller grip showing our new design.
 FIG. 2 is a close up perspective thereof.
 FIG. 3 is a left side view thereof.
 FIG. 4 is a close up left side view thereof.
 FIG. 5 is a right side view thereof.
 FIG. 6 is a front end view thereof.
 FIG. 7 is a rear end view thereof.
 FIG. 8 is a top view thereof.
 FIG. 9 is a close up top view thereof.
 FIG. 10 is a bottom view thereof; and,
 FIG. 11 is a close up bottom view thereof.
 Portions of the tiller grip which are shown in broken line are for illustrative purposes only and form no part of the claimed design.

(56) **References Cited**

U.S. PATENT DOCUMENTS

- D276,811 S * 12/1984 Wolfe D15/4
- 4,496,326 A 1/1985 Boda
- 4,582,493 A * 4/1986 Toyohara B63H 21/265 440/84
- 4,650,429 A * 3/1987 Boda B63H 21/265 440/87
- D295,867 S * 5/1988 Walsh D15/4
- 4,878,468 A 11/1989 Boda et al.
- 5,340,342 A 8/1994 Boda et al.
- 5,632,657 A 5/1997 Henderson
- D380,478 S * 7/1997 Robbins D15/4
- 6,020,563 A * 2/2000 Risk, Jr. B60Q 1/1476 200/61.54

1 Claim, 7 Drawing Sheets



(56)

References Cited

U.S. PATENT DOCUMENTS

7,704,110 B2 4/2010 Wiatrowski et al.
7,895,959 B1 3/2011 Angel et al.
D655,308 S * 3/2012 Steinberg D15/4
8,257,122 B1 9/2012 Holley
9,422,045 B2 * 8/2016 Kinpara B63H 20/007

* cited by examiner

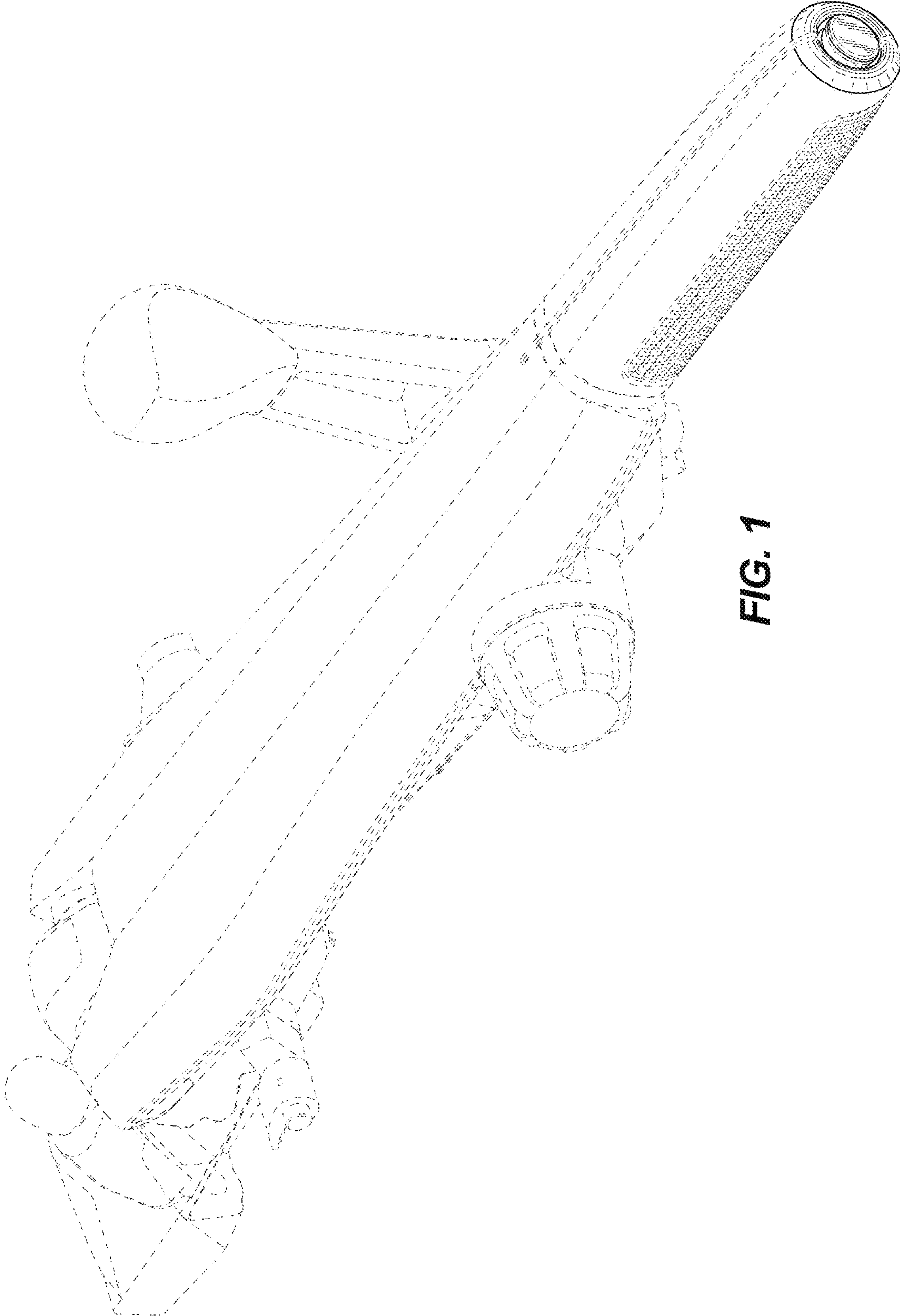


FIG. 1

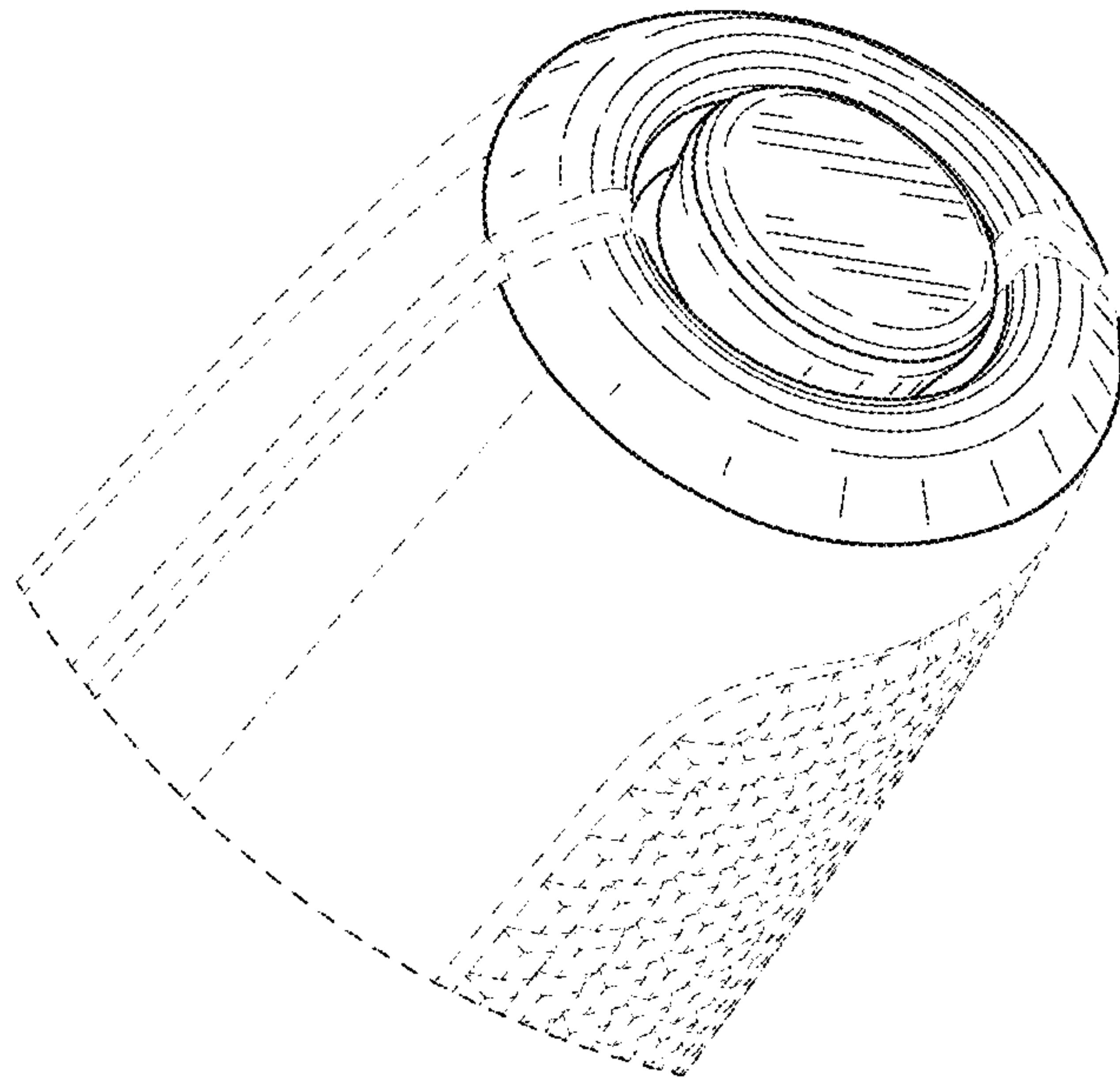


FIG. 2

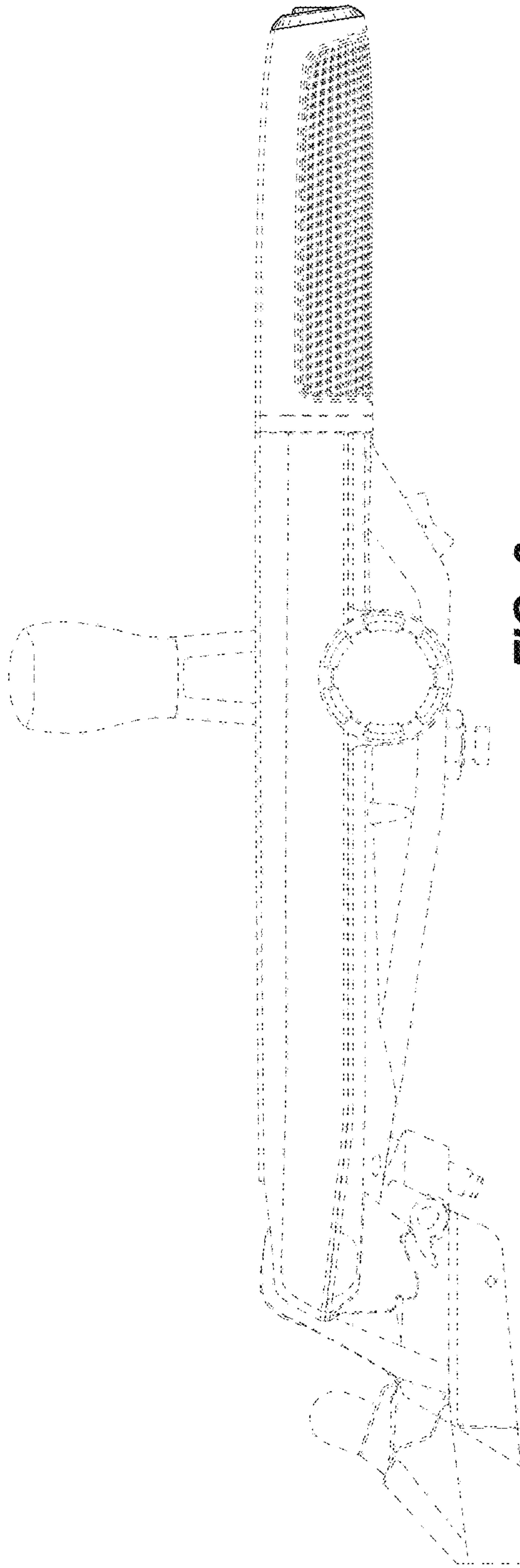


FIG. 3

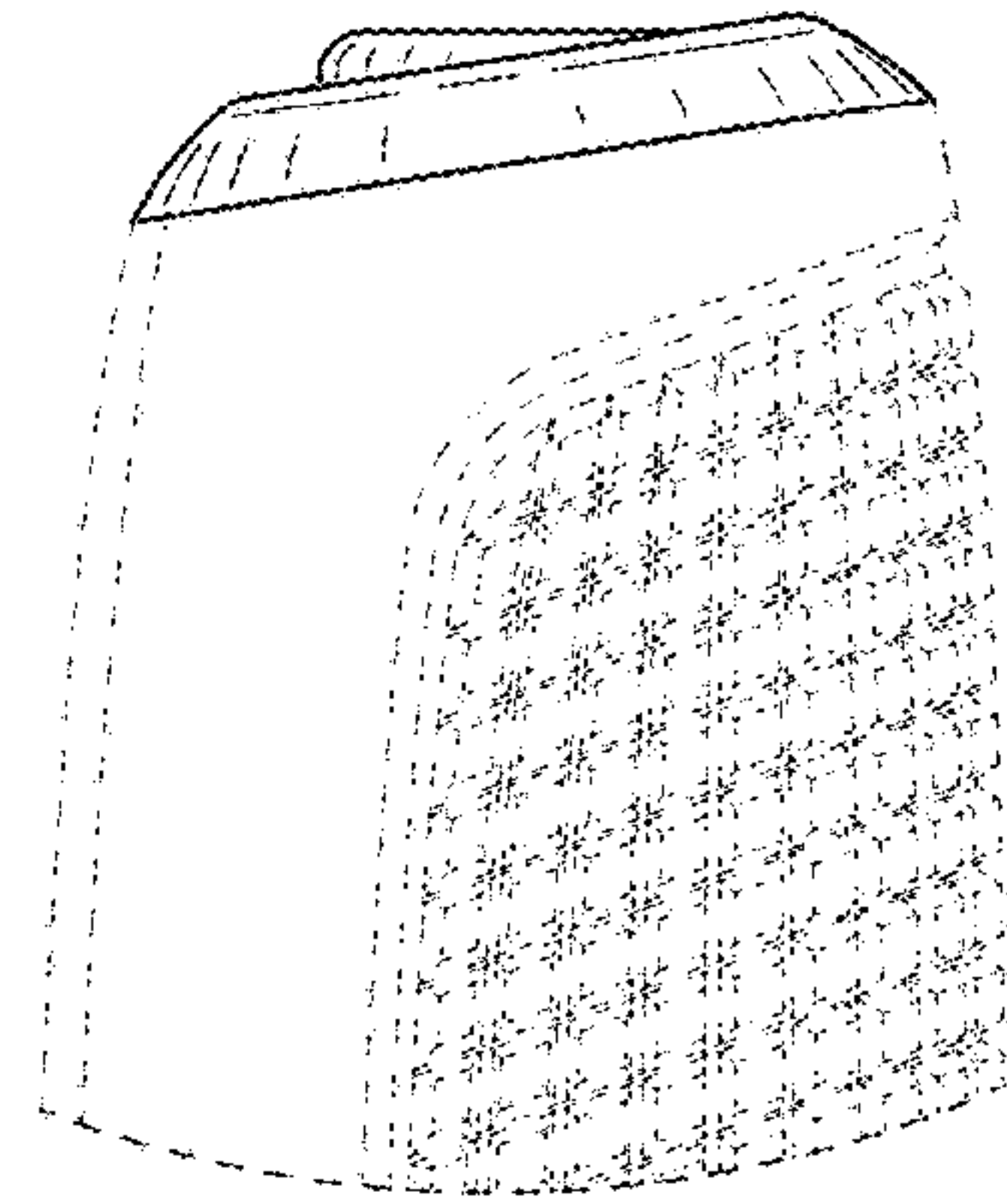


FIG. 4

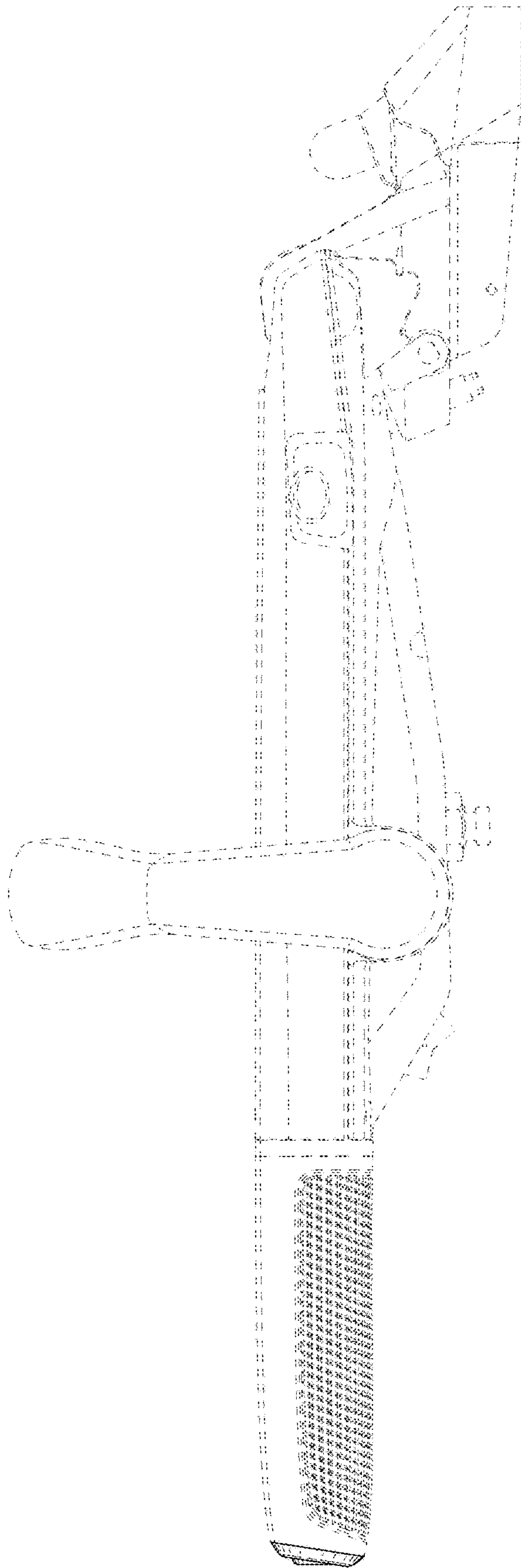


FIG. 5

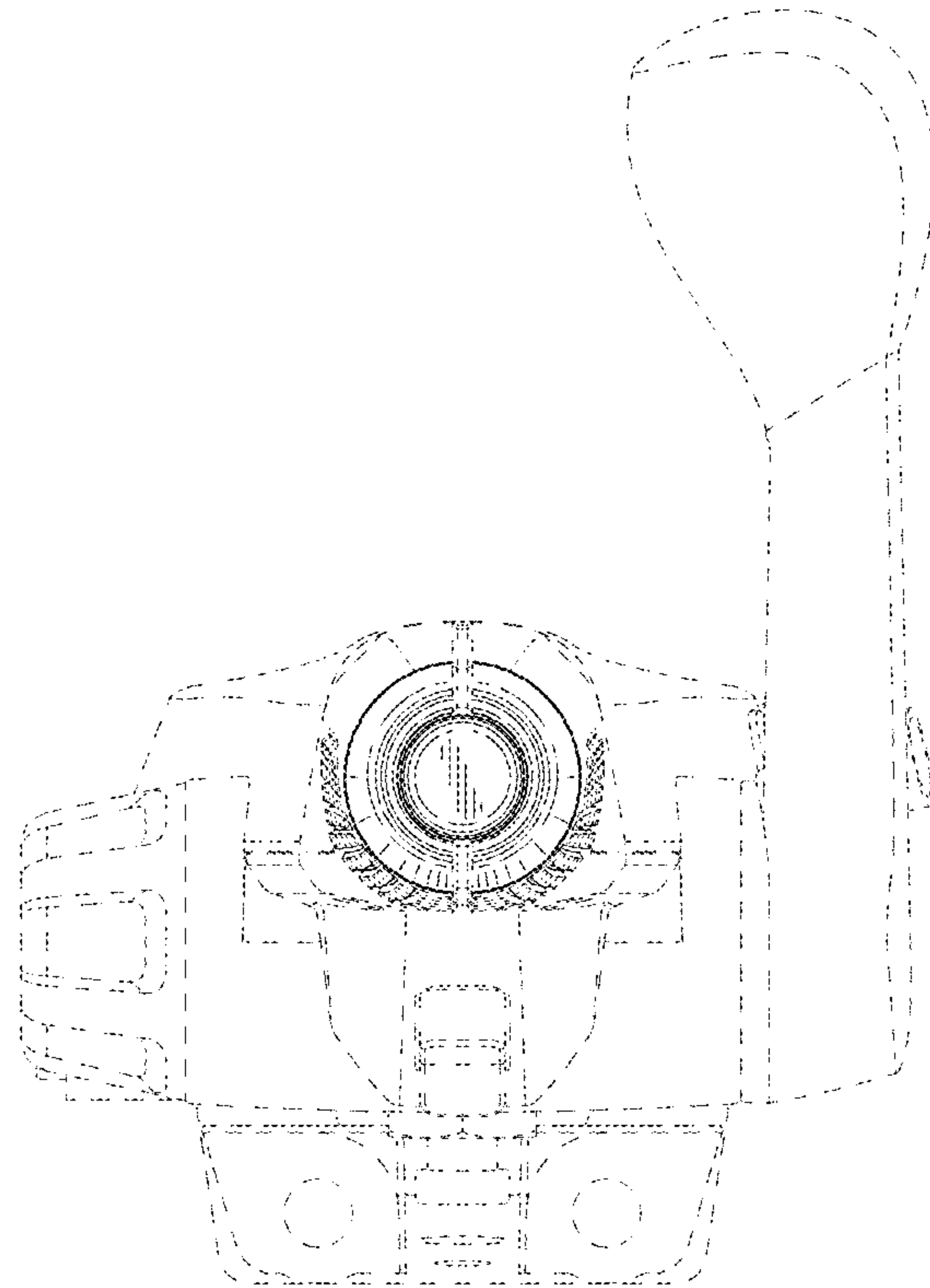


FIG. 6

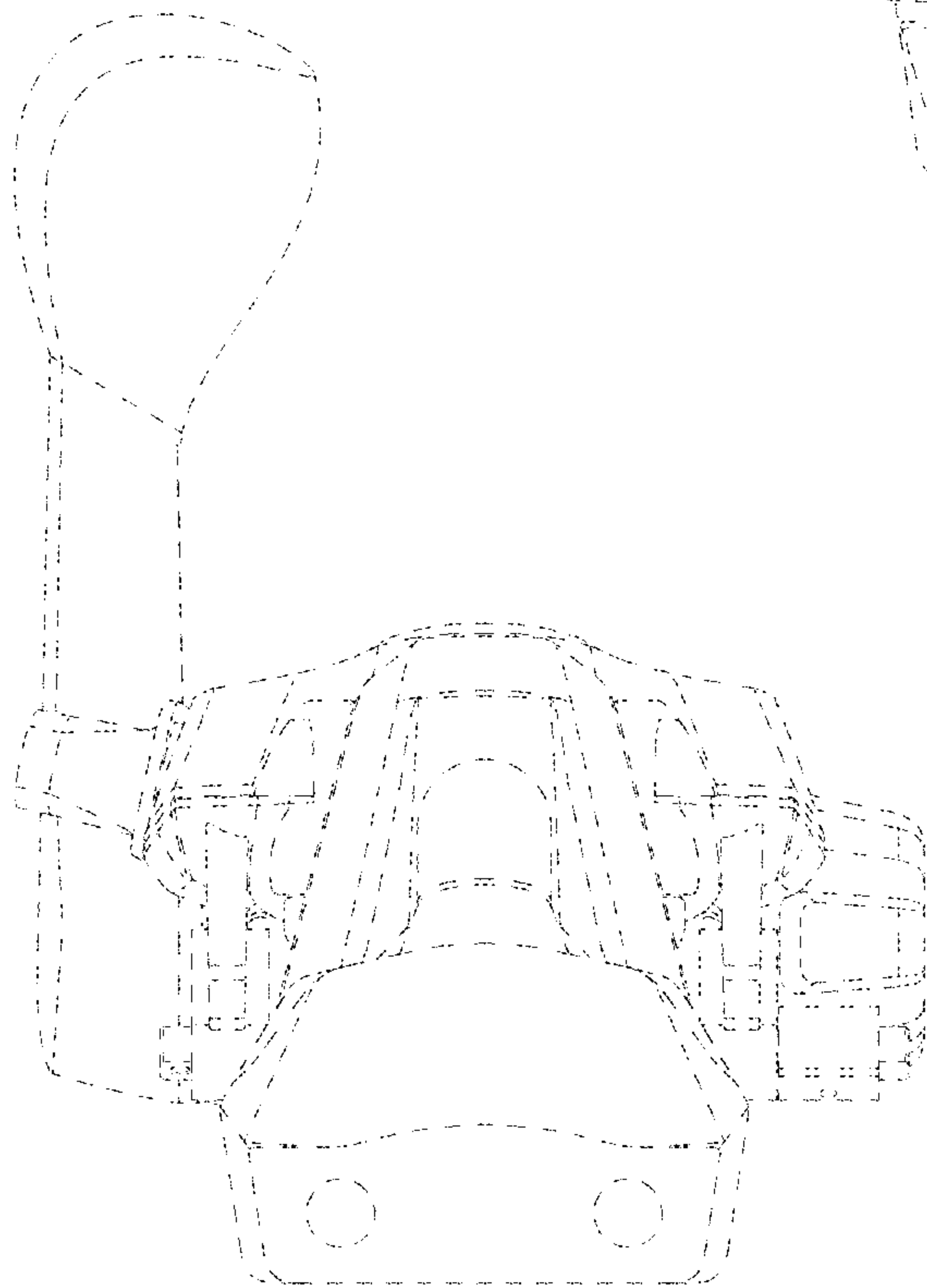


FIG. 7

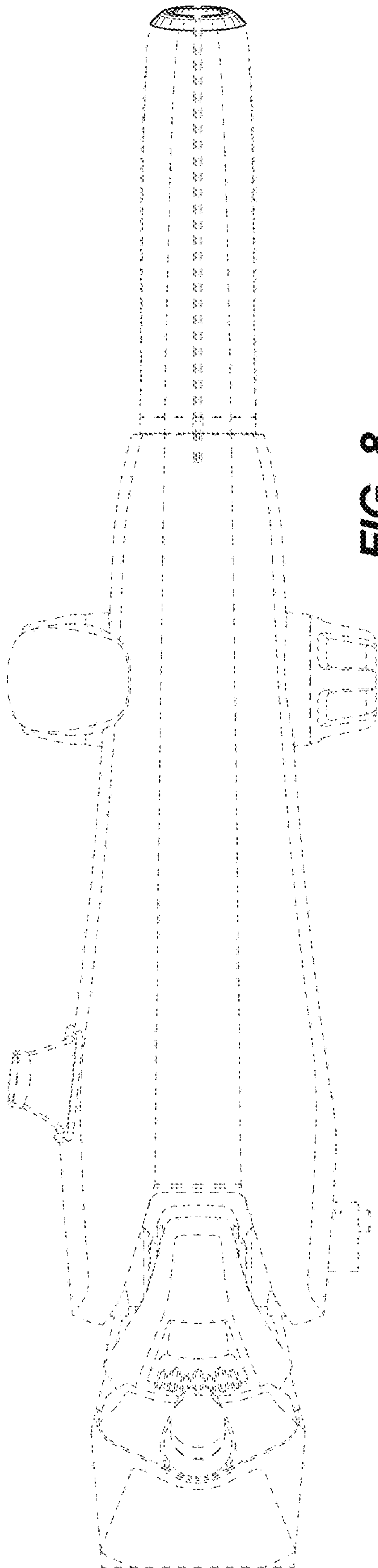


FIG. 8

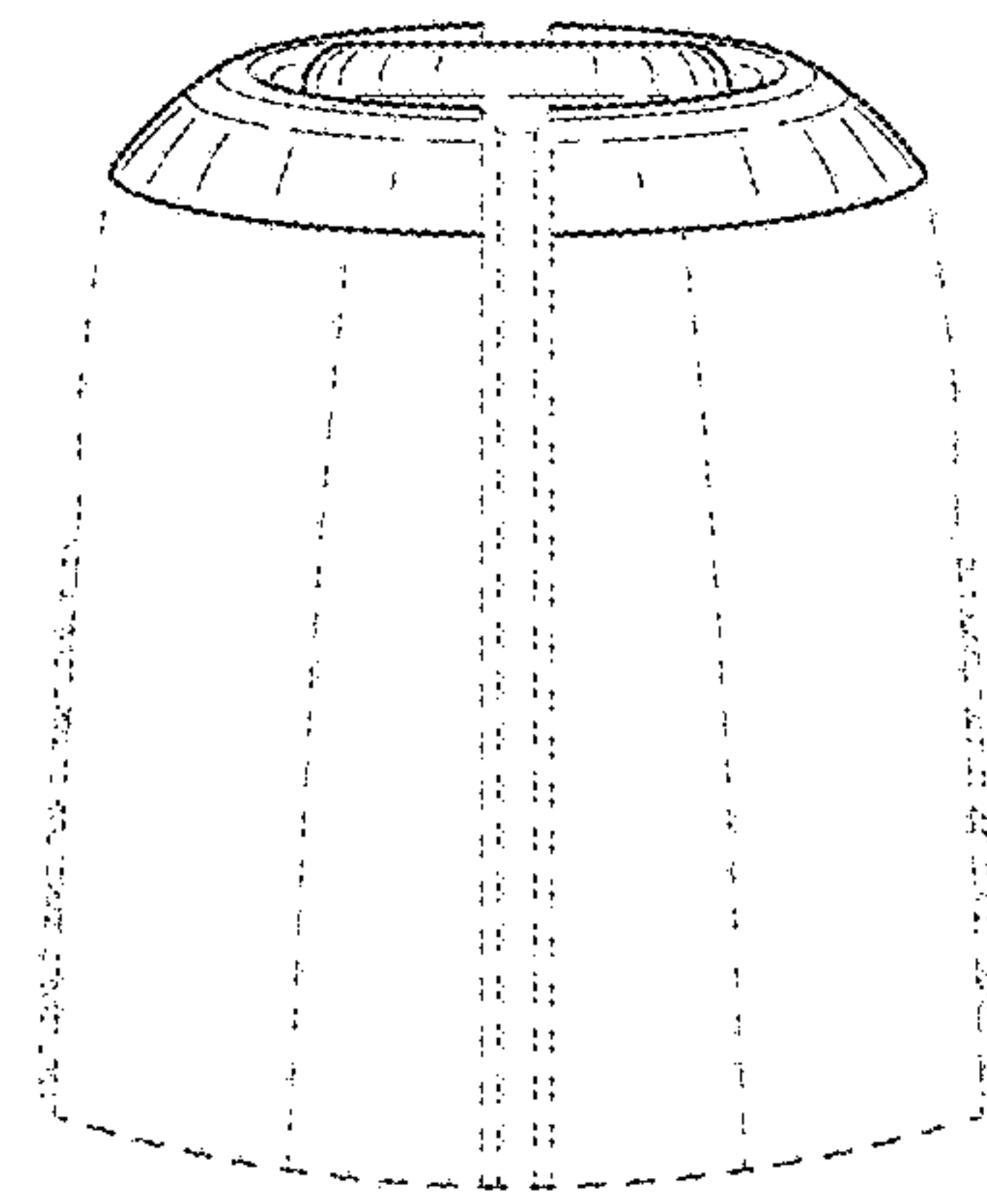


FIG. 9

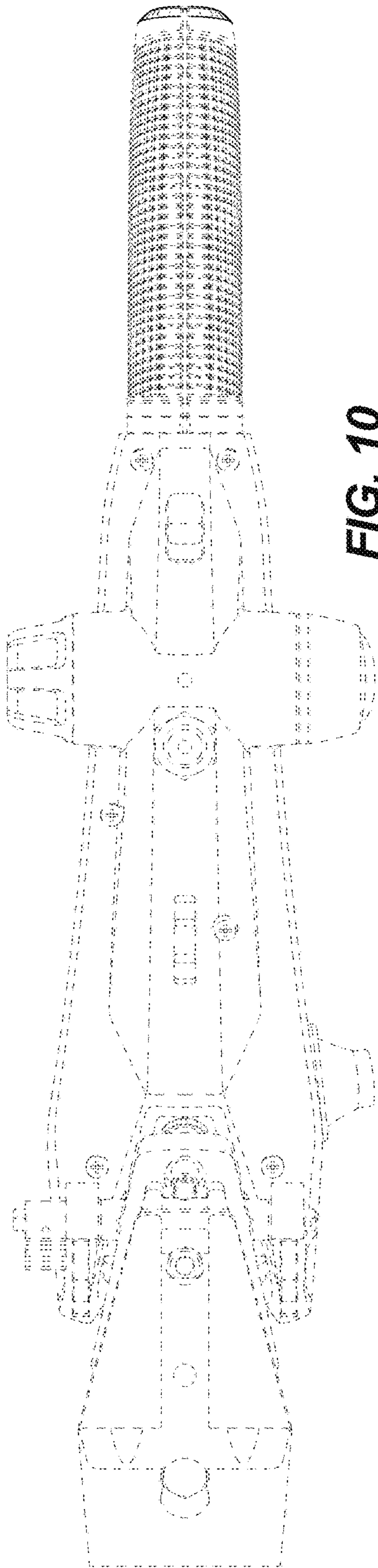


FIG. 10

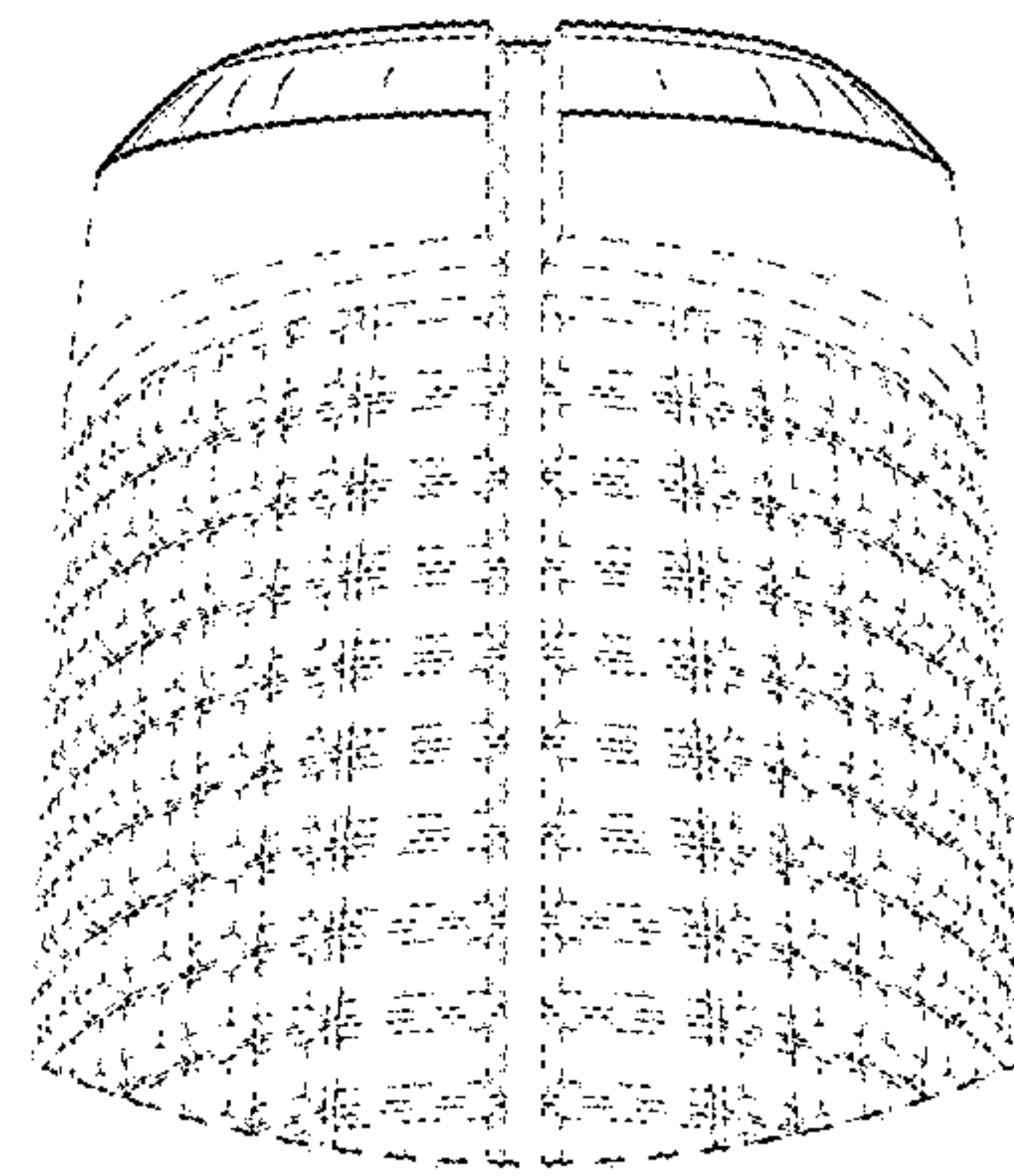


FIG. 11