



US00D794076S

(12) **United States Design Patent**
Goltche

(10) **Patent No.:** **US D794,076 S**

(45) **Date of Patent:** **** Aug. 8, 2017**

(54) **CONTROL PAD**

(71) Applicant: **Yehuda Goltche**, Great Neck, NY (US)

(72) Inventor: **Yehuda Goltche**, Great Neck, NY (US)

(**) Term: **15 Years**

(21) Appl. No.: **29/577,090**

(22) Filed: **Sep. 9, 2016**

(51) **LOC (10) Cl.** **14-03**

(52) **U.S. Cl.**

USPC **D14/496**; D21/332; D21/328

(58) **Field of Classification Search**

USPC D14/496, 401, 435, 474, 483, 217, 137,
D14/138, 160, 168, 356, 203.1–203.8,
D14/507; 345/156, 169, 173–179, 905;
715/727–729, 864; 710/1, 5, 8; 713/1,
713/600; 455/1.1, 1.7, 73, 344–347, 93,
455/95, 3.01–3.06, 550.1, 573.1;
370/342–344; 369/1, 2, 6–12;
463/43–47; 273/148 B; D21/424–433
CPC H04N 5/00; H04B 10/00; H04J 14/00;
G10H 7/00; G11B 37/00
See application file for complete search history.

(56) **References Cited**

U.S. PATENT DOCUMENTS

5,259,626 A * 11/1993 Ho A63F 13/06
273/148 B
6,496,860 B2 * 12/2002 Ludtke H04L 12/2805
375/E7.019
D516,634 S * 3/2006 Man-tat D21/332

D557,680 S * 12/2007 Corsini D14/168
D563,409 S * 3/2008 Liu D14/400
8,436,559 B2 * 5/2013 Kidd F04B 17/03
318/34
8,446,378 B2 * 5/2013 Moll-Carrillo A63B 24/0062
345/173
D709,881 S * 7/2014 Chung D14/400
D726,223 S * 4/2015 Guerrero D14/496
9,075,404 B2 * 7/2015 McMillen G10H 1/348
9,081,545 B1 * 7/2015 Lin G06F 1/1632
D737,860 S * 9/2015 Mar D14/496
9,647,474 B2 * 5/2017 Fathollahi H02J 7/0044

* cited by examiner

Primary Examiner — Prabhakar Deshmukh

(74) *Attorney, Agent, or Firm* — Dunlap Bennett &
Ludwig PLLC

(57) **CLAIM**

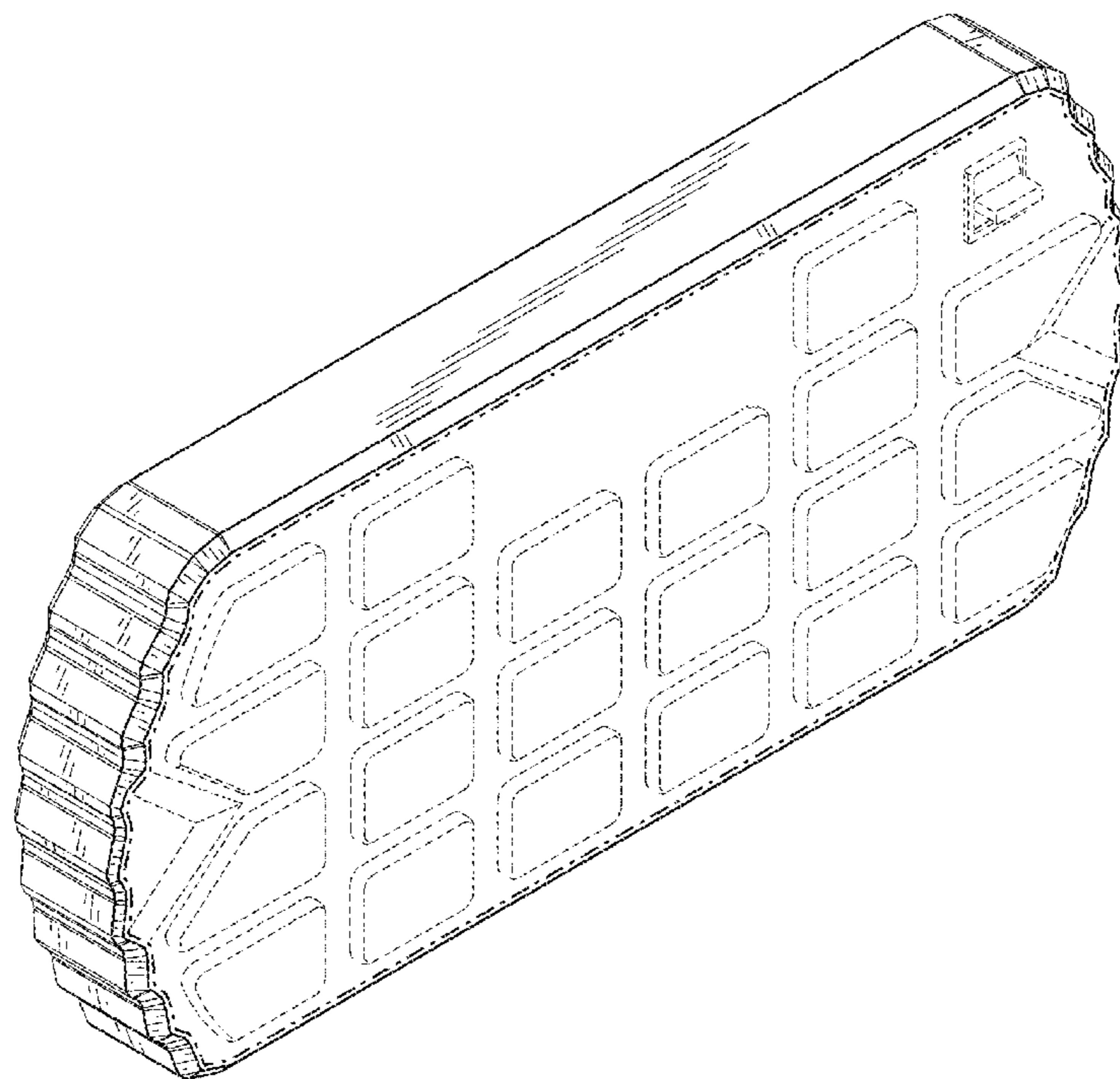
The ornamental design for a control pad, as shown and described.

DESCRIPTION

FIG. 1 is a front perspective view of a control pad;
FIG. 2 is a front elevation view thereof;
FIG. 3 is a rear elevation view thereof;
FIG. 4 is a left side elevation view thereof;
FIG. 5 is a right side elevation view thereof;
FIG. 6 is a top plan view thereof; and,
FIG. 7 is a bottom plan view thereof.

The dashed-dot-dashed broken lines represent the bounds of the claimed design, while the evenly spaced dashed broken lines shown in the drawings depict portions of the control pad that form no part of the claimed design.

1 Claim, 5 Drawing Sheets



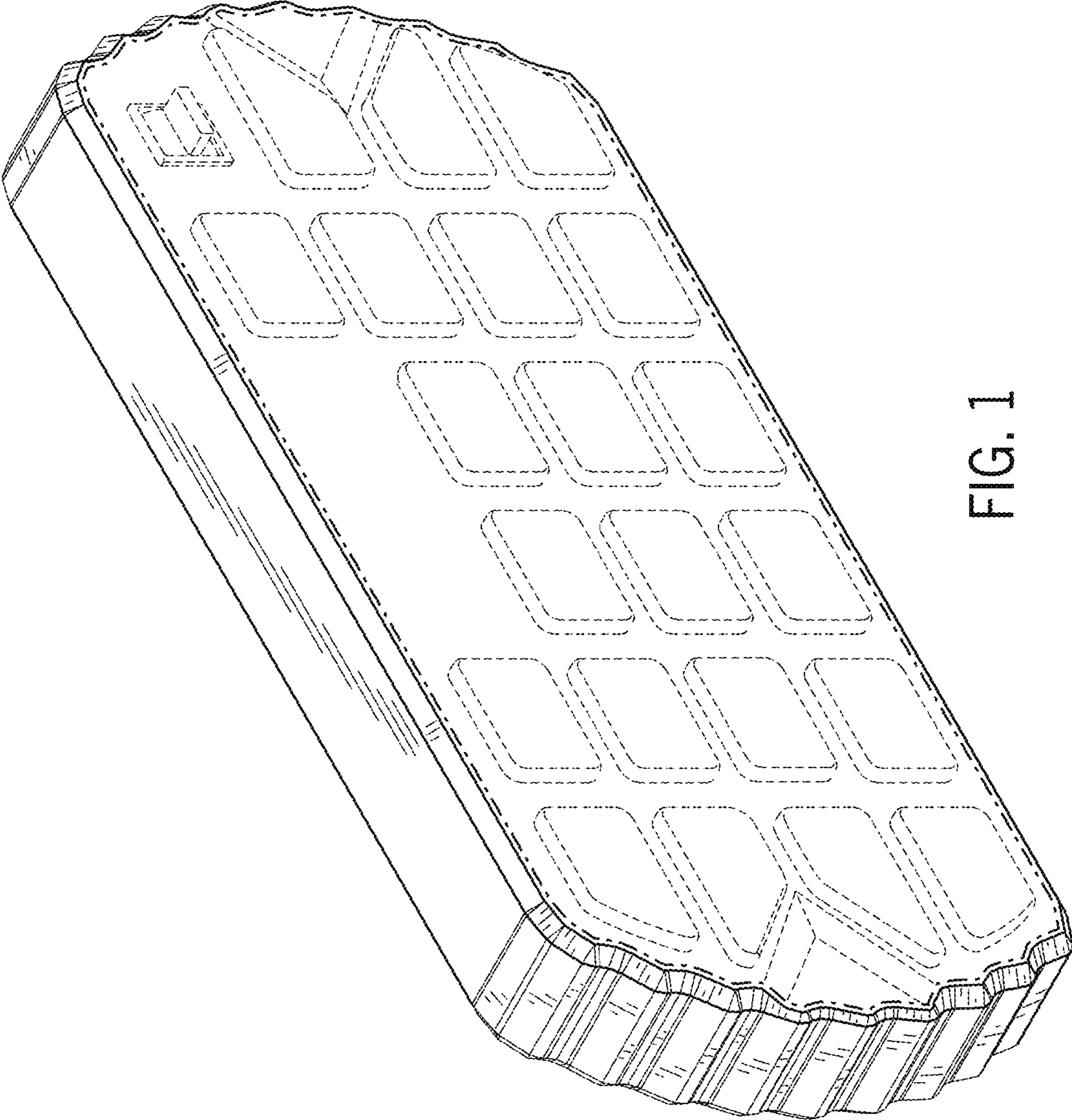


FIG. 1

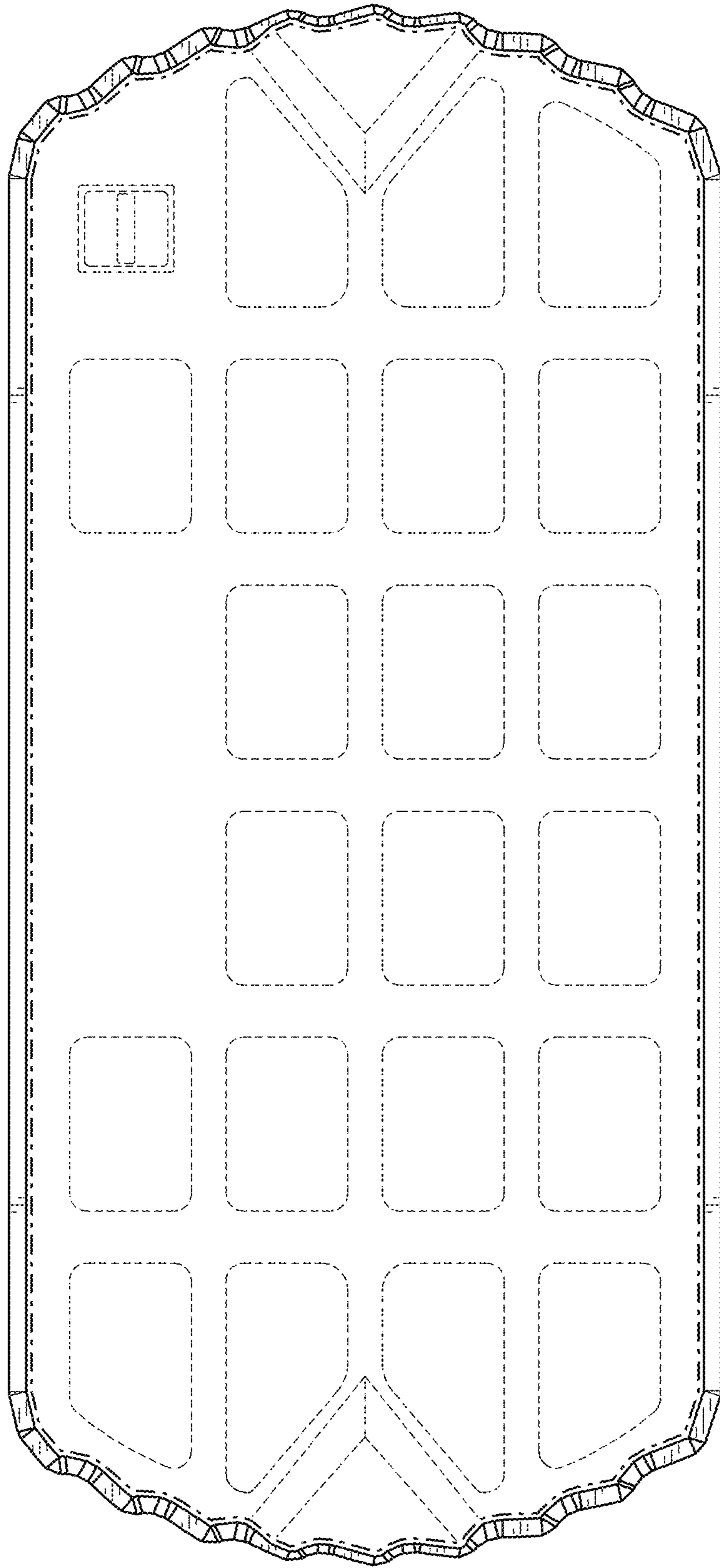


FIG. 2

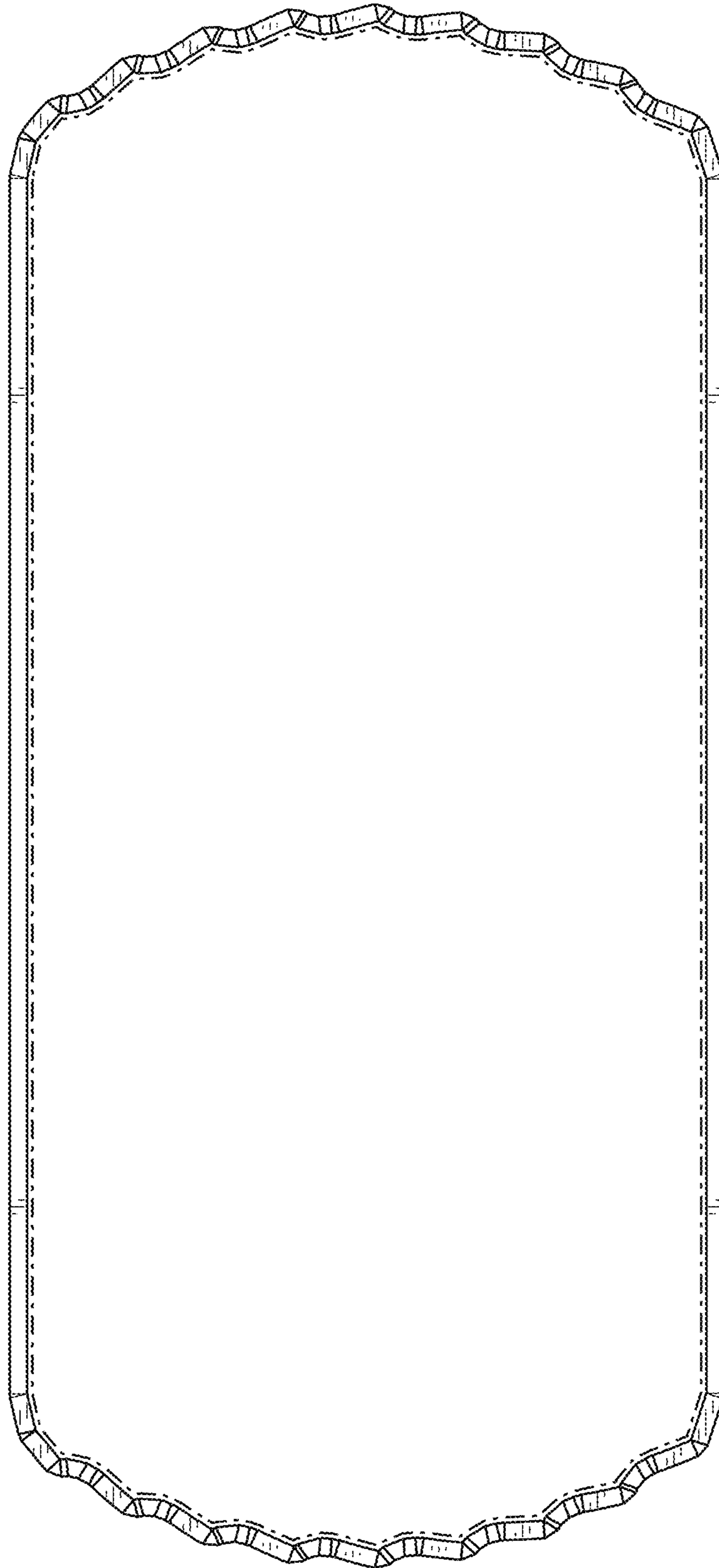


FIG. 3

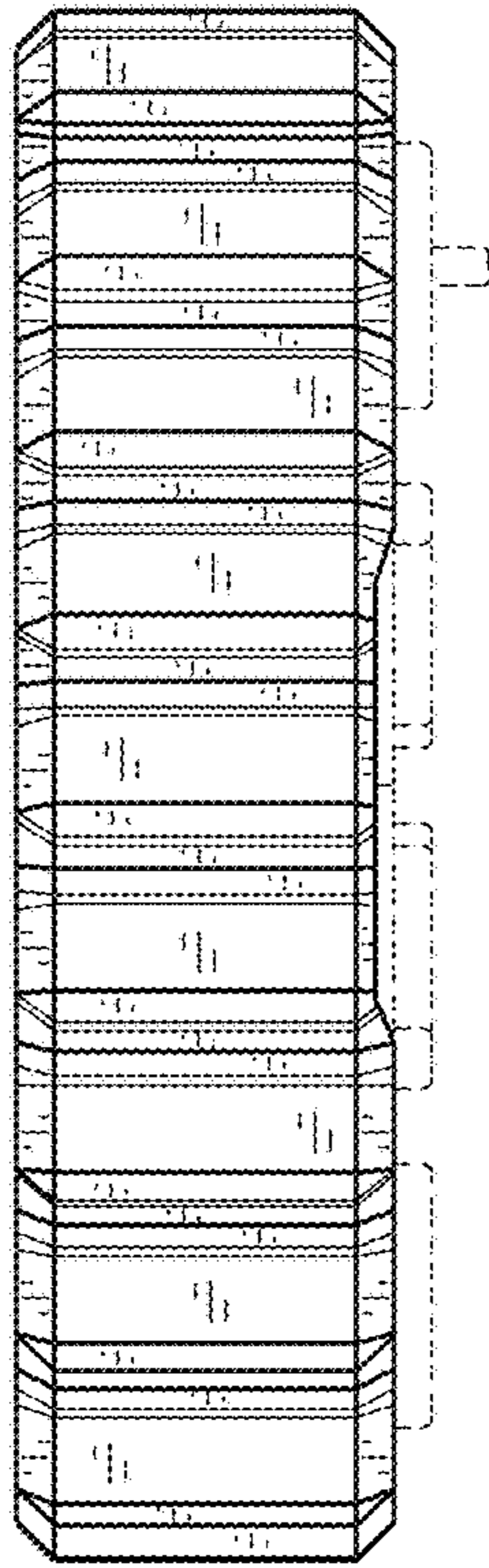


FIG. 4

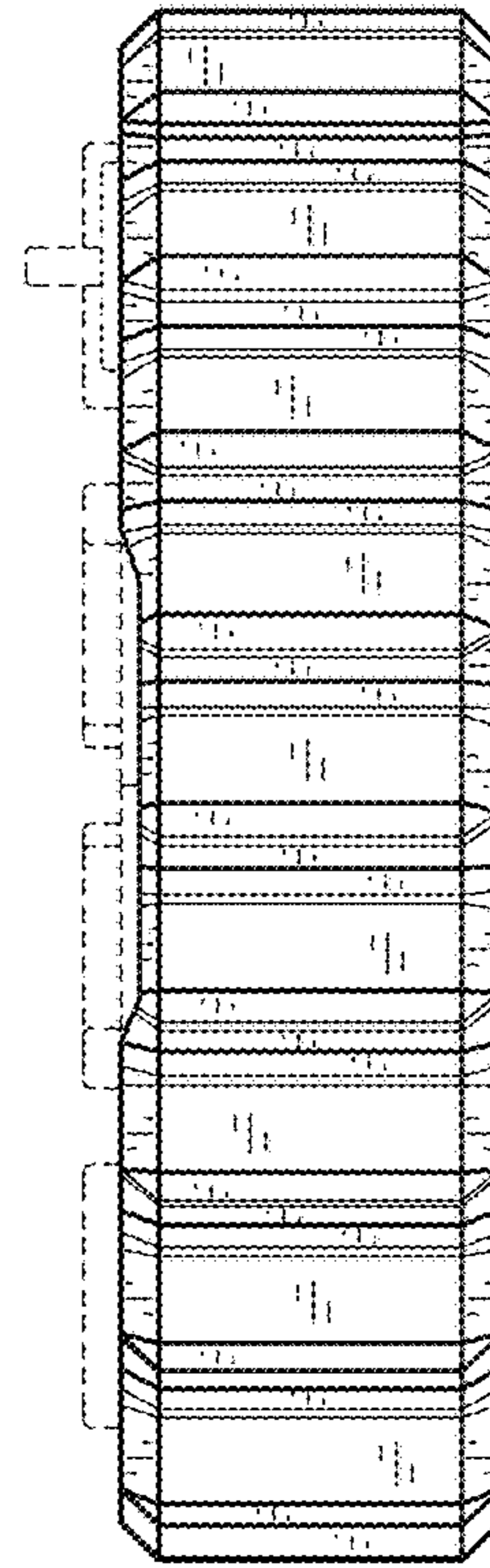


FIG. 5

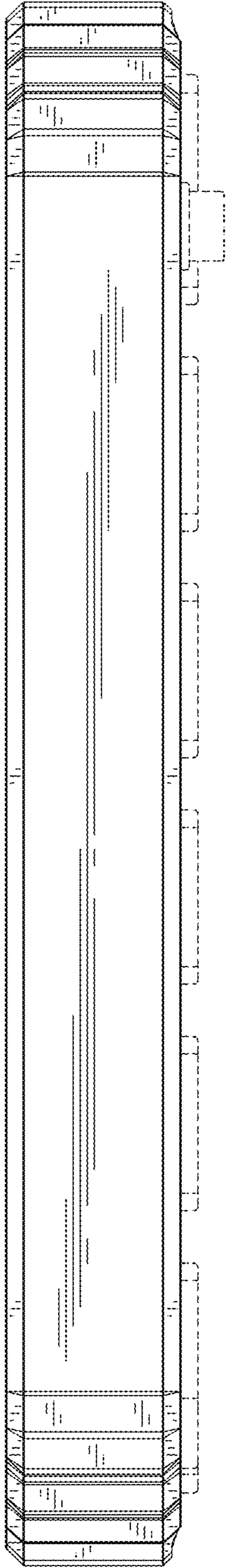


FIG. 6

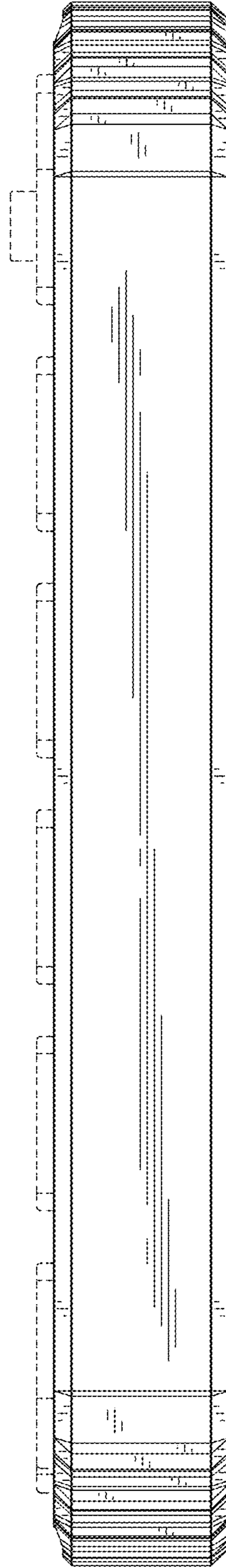


FIG. 7