



US00D794048S

(12) **United States Design Patent** (10) **Patent No.:** **US D794,048 S**  
**Lee et al.** (45) **Date of Patent:** **\*\* Aug. 8, 2017**

(54) **DISPLAY SCREEN OR PORTION THEREOF WITH GRAPHICAL USER INTERFACE**

(71) Applicant: **Samsung Electronics Co., Ltd.**, Suwon-si (KR)

(72) Inventors: **Heon Woo Lee**, Seoul (KR); **Miyeon Park**, Seongnam-si (KR); **Yongman Park**, Yongin-si (KR); **Jakyoung Lee**, Seoul (KR); **Hyerim Kwak**, Seoul (KR); **Soyoung Lee**, Seoul (KR)

(73) Assignee: **SAMSUNG ELECTRONICS CO., LTD.**, Suwon-si (KR)

(\*\*) Term: **15 Years**

(21) Appl. No.: **29/564,971**

(22) Filed: **May 17, 2016**

(30) **Foreign Application Priority Data**

Nov. 18, 2015 (KR) ..... 30-2015-0058205

(51) **LOC (10) Cl.** ..... **14-04**

(52) **U.S. Cl.**  
USPC ..... **D14/485**

(58) **Field of Classification Search**  
USPC ..... D14/485-495  
CPC ..... B61C 11/04; B64C 29/00; G06F 3/04817; G06F 3/0482; G06F 2203/04807; G06T 15/02; G06T 13/80; H04M 1/2477; H04N 1/00424  
See application file for complete search history.

(56) **References Cited**

**U.S. PATENT DOCUMENTS**

D669,497 S \* 10/2012 Lee ..... D14/489  
D690,717 S \* 10/2013 Thomsen ..... D14/485  
D739,872 S \* 9/2015 Bang ..... D14/488  
D746,866 S \* 1/2016 Memoria ..... D14/492  
D754,713 S \* 4/2016 Zhang ..... D14/487

D759,061 S \* 6/2016 Sahoo ..... D14/485  
D760,283 S \* 6/2016 Horiuchi ..... D14/489  
D761,277 S \* 7/2016 Harvell ..... D14/485  
D761,812 S \* 7/2016 Motamedi ..... D14/485  
D761,857 S \* 7/2016 Mariet ..... D14/491  
D769,889 S \* 10/2016 Kuhn ..... D14/485  
D773,531 S \* 12/2016 Toth ..... D14/491  
D775,658 S \* 1/2017 Luo ..... D14/488  
D777,200 S \* 1/2017 Luo ..... D14/488  
D777,762 S \* 1/2017 Park ..... D14/486  
D784,369 S \* 4/2017 Kuhn ..... D14/485

(Continued)

**OTHER PUBLICATIONS**

ArsTechnica | How Apple Pay and Google Wallet actually work, posted on Oct. 29, 2014, no copyright date posted [online], [site visited May 11, 2017]. Available from Internet, <URL: https://arstechnica.com/gadgets/2014/10/how-mobile-payments-really-work/>.\*

(Continued)

*Primary Examiner* — Philip S Hyder  
*Assistant Examiner* — Cary M Robinson

(74) *Attorney, Agent, or Firm* — McAndrews Held & Malloy, Ltd.

(57) **CLAIM**

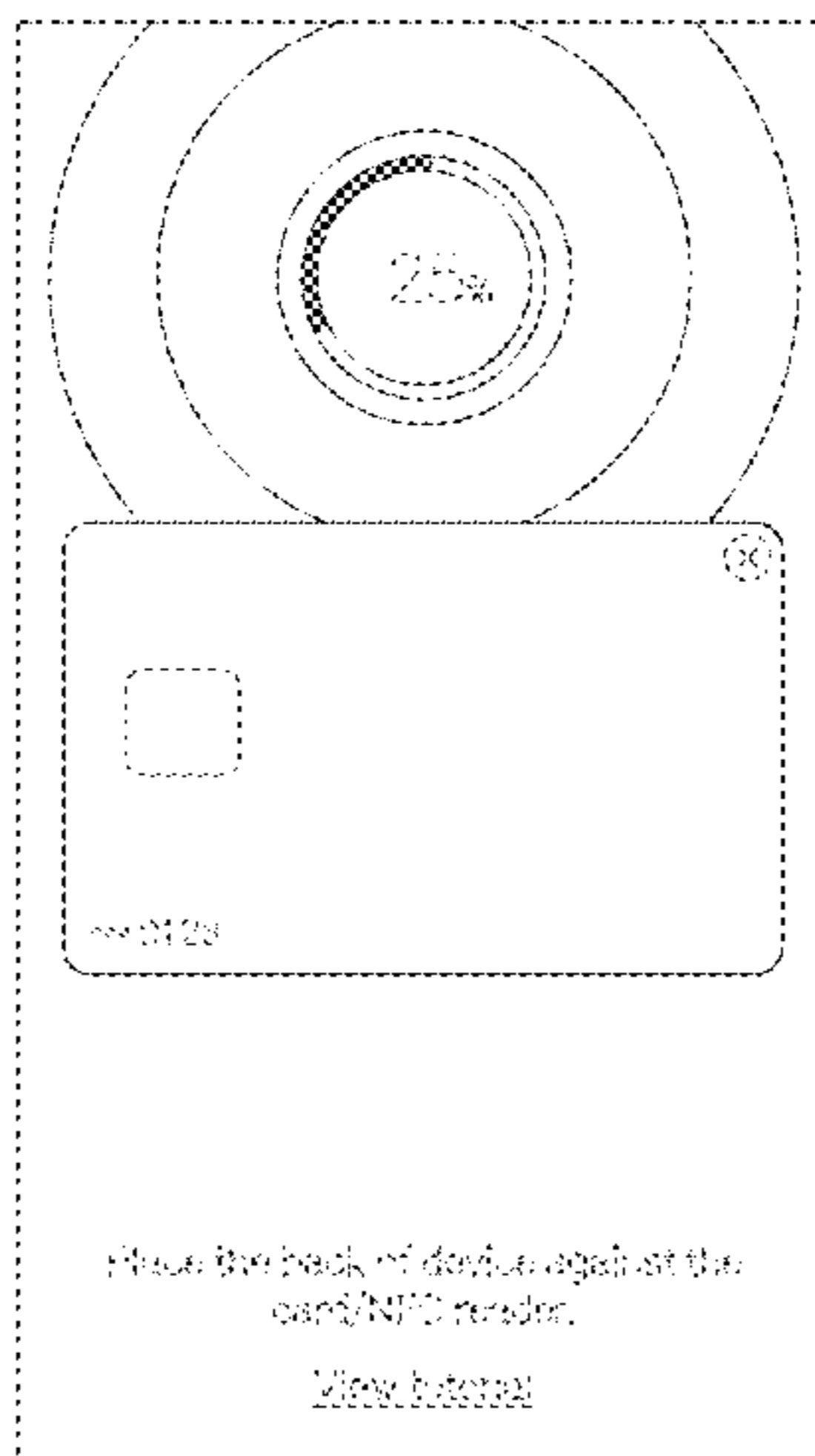
The ornamental design for a display screen or portion thereof with graphical user interface, as shown and described.

**DESCRIPTION**

The FIGURE is a front view of a display screen or portion thereof with graphical user interface showing our new design.

The broken lines at the outer perimeter of the FIGURE illustrates a display screen or portion thereof and forms no part of the claimed design. The remaining broken lines in the FIGURE illustrate portions of the graphical user interface that form no part of the claimed design.

**1 Claim, 1 Drawing Sheet**



(56)

**References Cited**

U.S. PATENT DOCUMENTS

D784,370 S \* 4/2017 Kuhn ..... D14/485  
D785,013 S \* 4/2017 Kuhn ..... D14/485  
2007/0136679 A1\* 6/2007 Yang ..... H04N 5/44513  
715/772  
2012/0096383 A1\* 4/2012 Sakamoto ..... G06F 9/4443  
715/772  
2012/0124520 A1\* 5/2012 Samp ..... G06F 3/04886  
715/834

OTHER PUBLICATIONS

Samsung Newsroom | Products | Mobile | Samsung Pay Trial Service Launched in Korea, posted on Jul. 16, 2015, Copyright © 2011-2017 Samsung [online], [site visited May 11, 2017]. Available from Internet, <URL: <https://news.samsung.com/global/samsung-pay-trial-service-launched-in-korea/>>.\*

\* cited by examiner

