



US00D794037S

(12) **United States Design Patent** (10) **Patent No.:** **US D794,037 S**  
**Lee** (45) **Date of Patent:** **\*\* Aug. 8, 2017**

(54) **PALM REST FOR TOUCH SCREEN**  
(71) Applicants: **Yun Jae Lee**, Seoul (KR); **Goonies Co., Ltd.**, Seoul (KR)  
(72) Inventor: **Yun Jae Lee**, Seoul (KR)  
(73) Assignees: **Yun Jae Lee**, Seoul (KR); **GOONIES CO., LTD.**, Seoul (KR)

D470,502 S \* 2/2003 Andrews ..... D14/460  
7,861,984 B2 \* 1/2011 Quiroga ..... G06F 3/039  
248/118  
8,851,431 B2 \* 10/2014 Quiroga ..... A61F 5/30  
248/118  
D747,323 S \* 1/2016 Luciew ..... D14/460  
9,301,600 B1 \* 4/2016 Duggal ..... A47B 21/0371  
9,360,951 B2 \* 6/2016 Moy ..... G06F 3/039  
2005/0263652 A1 \* 12/2005 Stair ..... B43L 15/00  
248/118.5

(Continued)

(\*\*) Term: **14 Years**  
(21) Appl. No.: **29/518,341**  
(22) Filed: **Feb. 23, 2015**

(30) **Foreign Application Priority Data**

Nov. 4, 2014 (KR) ..... 30-2014-0052669

(51) **LOC (10) Cl.** ..... **06-06**  
(52) **U.S. Cl.**  
USPC ..... **D14/460**

(58) **Field of Classification Search**  
USPC ..... D14/299, 344, 347, 432, 458, 459, 460,  
D14/461; D24/107, 171, 190, 188  
CPC .... A47B 2021/0307; A47B 2021/0321; A47B  
2021/0378; A47B 21/00; A47B 21/0371;  
A47G 9/1063; Y10S 248/918; G06F  
3/014; G06F 3/033; G06F 3/039; G06F  
3/045; G06F 3/0395  
See application file for complete search history.

(56) **References Cited**

**U.S. PATENT DOCUMENTS**

5,265,835 A \* 11/1993 Nash ..... A47B 21/0371  
248/118  
5,472,161 A \* 12/1995 Krukovsky ..... A47B 21/0371  
248/118.5  
5,730,711 A \* 3/1998 Kendall ..... A47B 21/0371  
248/118  
6,048,325 A \* 4/2000 Kendall ..... A47B 21/0371  
248/118  
D440,660 S \* 4/2001 Sternberg ..... D24/190

**OTHER PUBLICATIONS**

Hand Glider (available online Sep. 10, 2012) Retrieved from the internet Mar. 28, 2017, retrieved from the internet URL: <http://www.new-startups.com/an-artists-new-best-friend-for-ipad-drawing/>.\*

*Primary Examiner* — Garth Rademaker  
*Assistant Examiner* — Richard Kearney  
(74) *Attorney, Agent, or Firm* — Cantor Colburn LLP

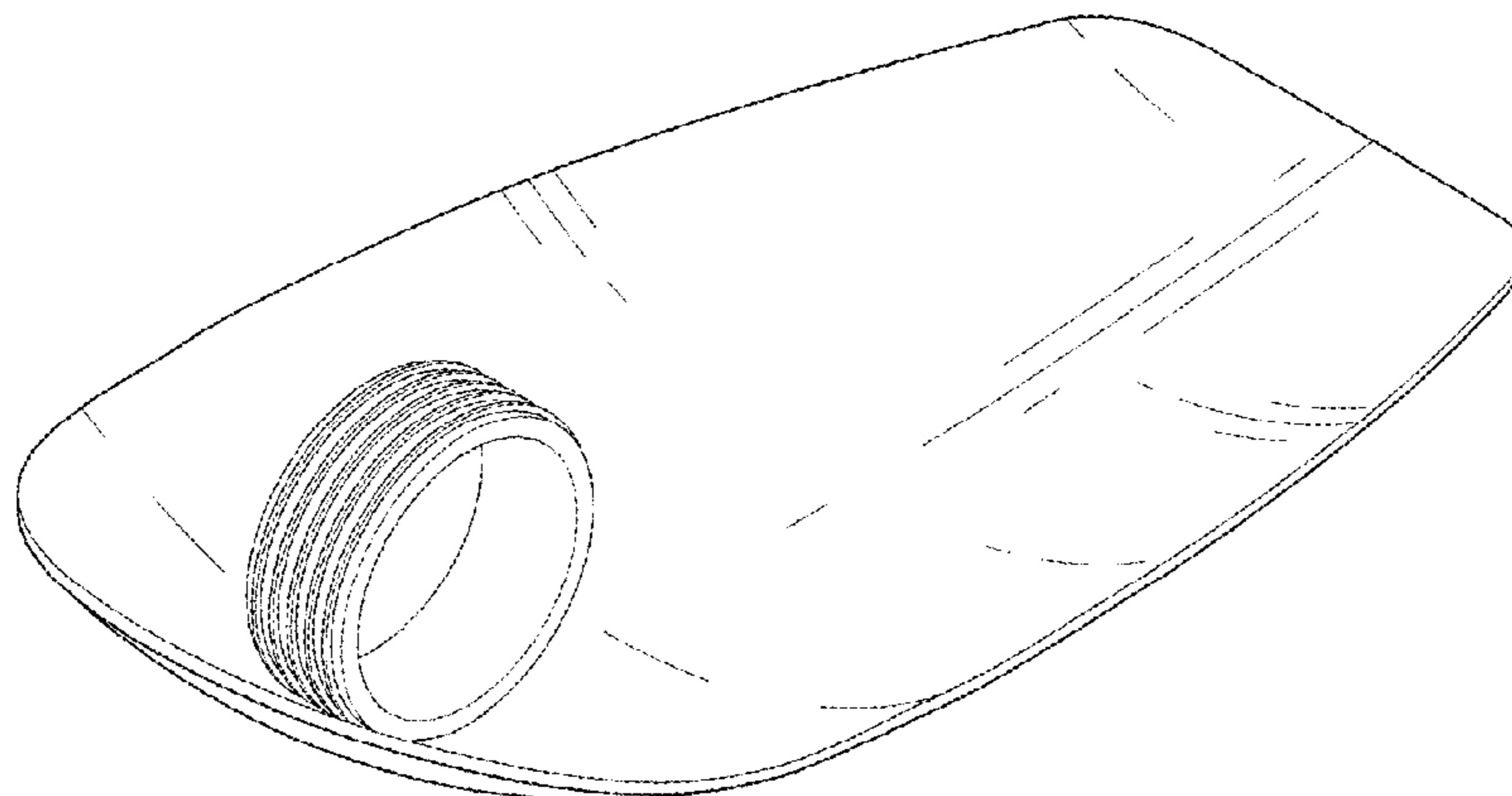
(57) **CLAIM**

The ornamental design for a palm rest for touch screen, as shown and described.

**DESCRIPTION**

FIG. 1 is a perspective view of a palm rest for touch screen showing my new design;  
FIG. 2 is a front elevational view thereof;  
FIG. 3 is a rear elevational view thereof;  
FIG. 4 is a left side elevational view thereof;  
FIG. 5 is a right side elevational view thereof;  
FIG. 6 is a top plan view thereof;  
FIG. 7 is a bottom plan view thereof; and,  
FIG. 8 is a reference view when in use thereof.  
The broken lines shown in the drawings illustrate environmental subject matter that forms no part of the claimed design.

**1 Claim, 6 Drawing Sheets**



(56)

**References Cited**

U.S. PATENT DOCUMENTS

2008/0272250 A1 \* 11/2008 Oh ..... A47B 21/0371  
248/118.5

\* cited by examiner

FIG. 1

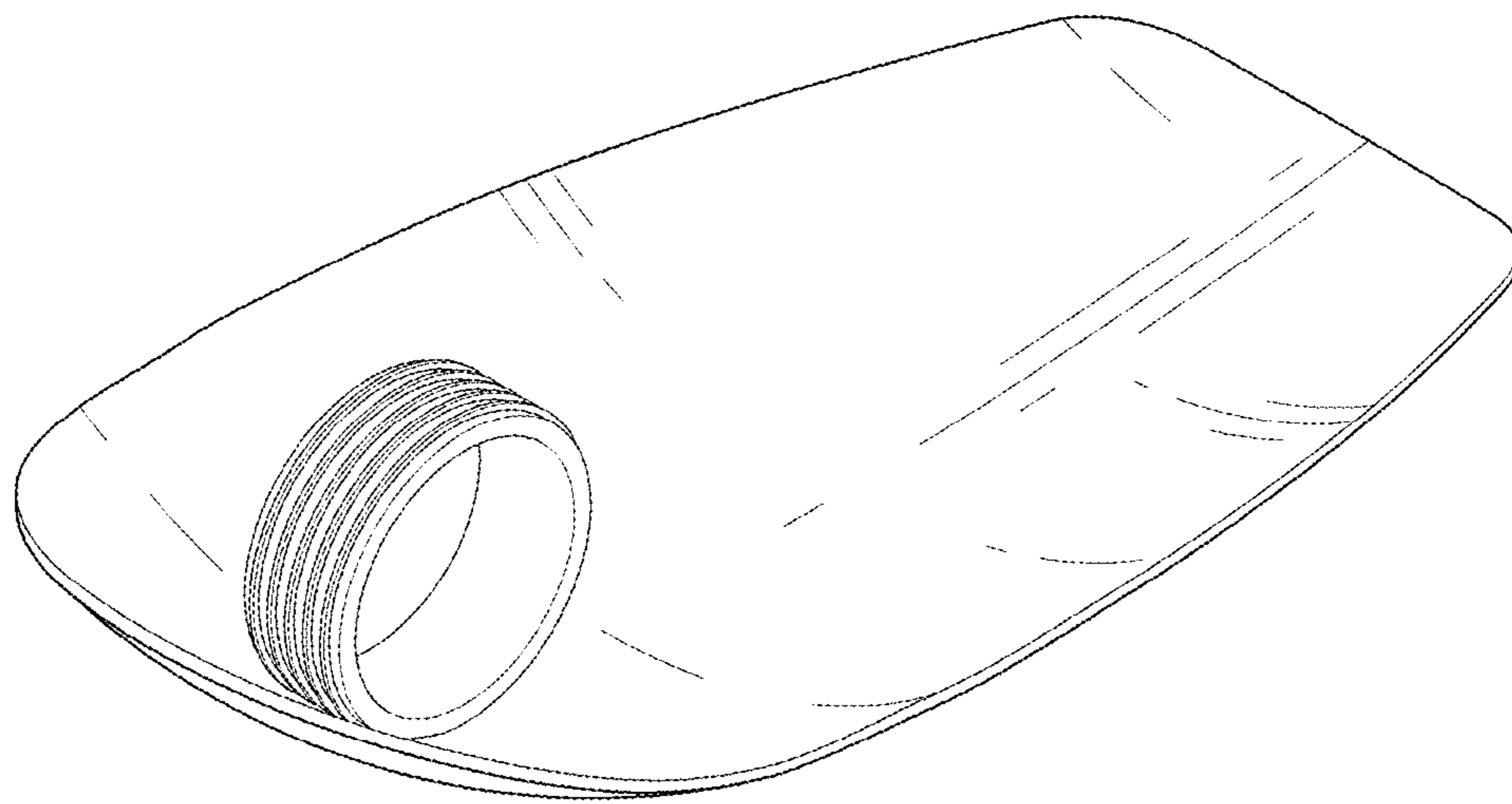


FIG. 2

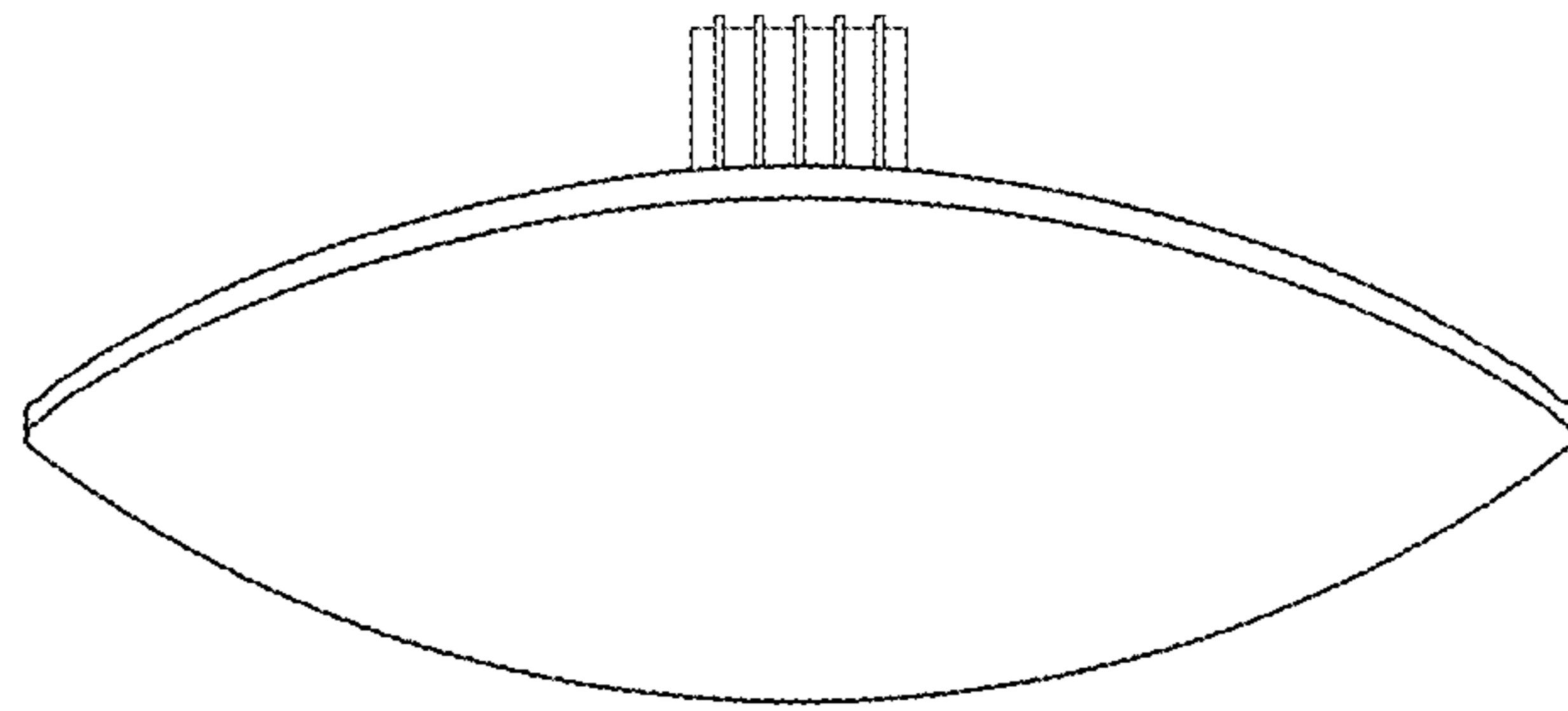


FIG. 3

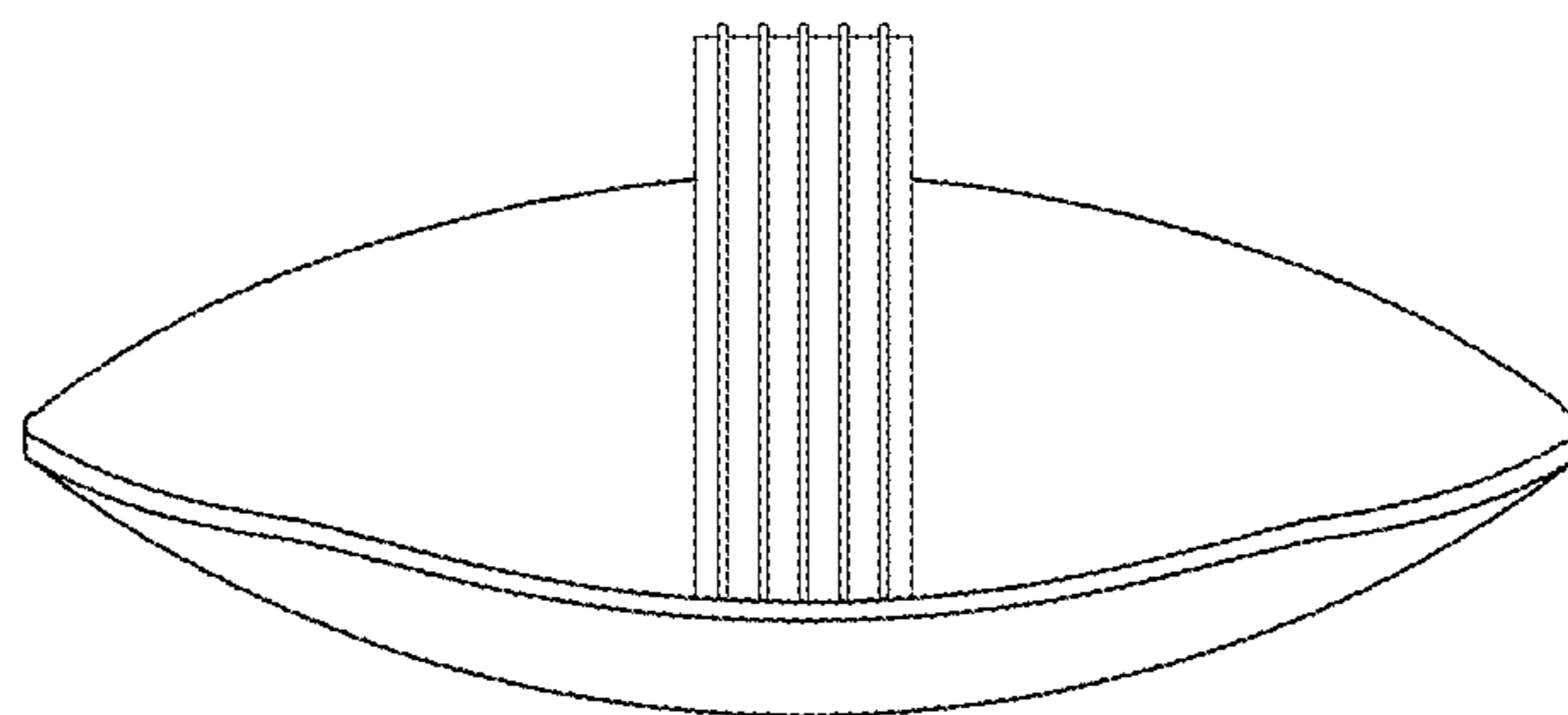


FIG. 4

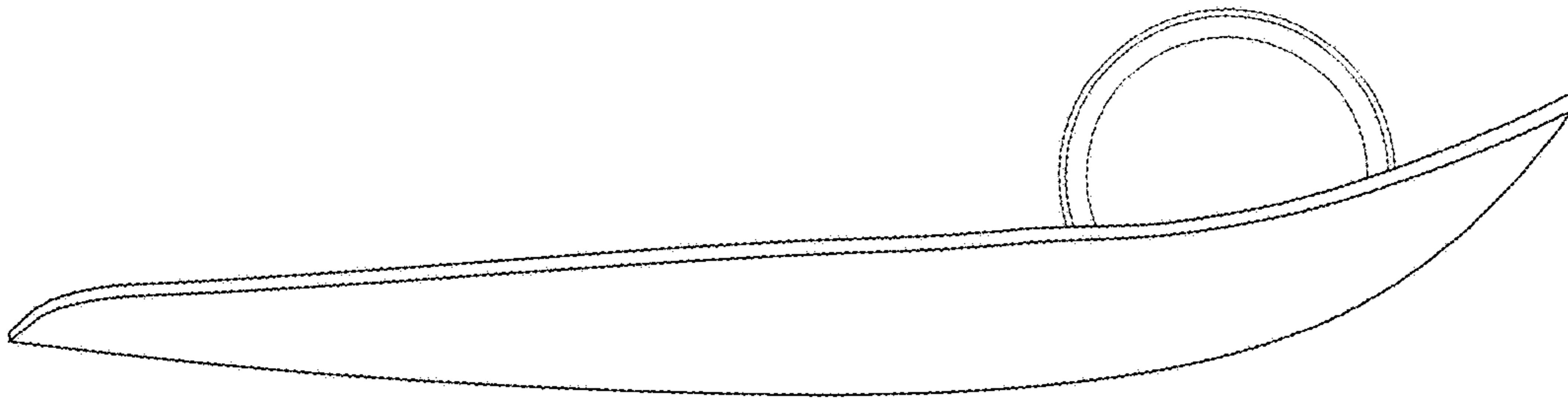


FIG. 5

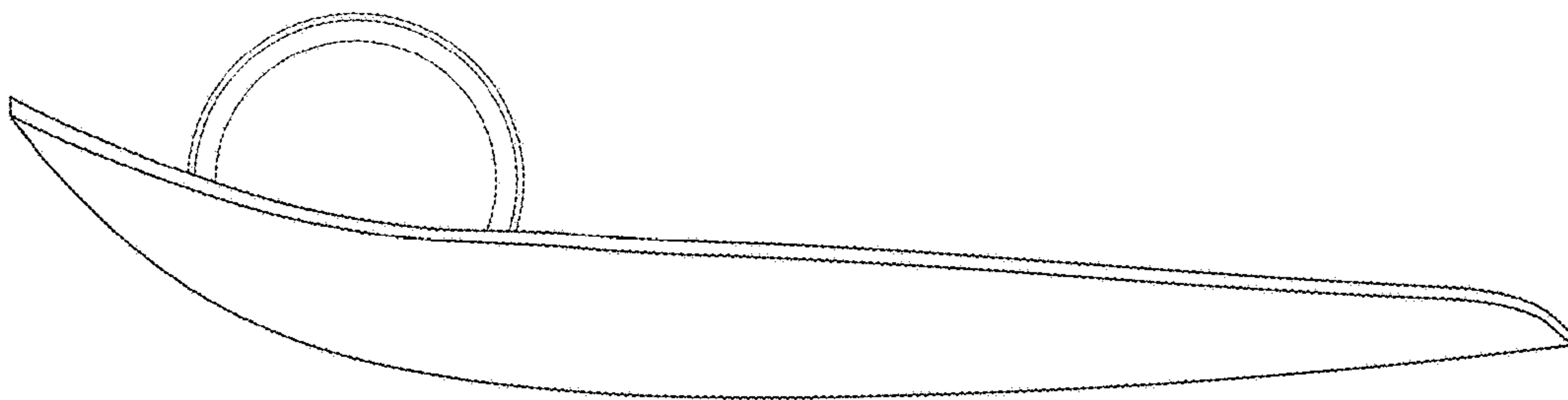


FIG. 6

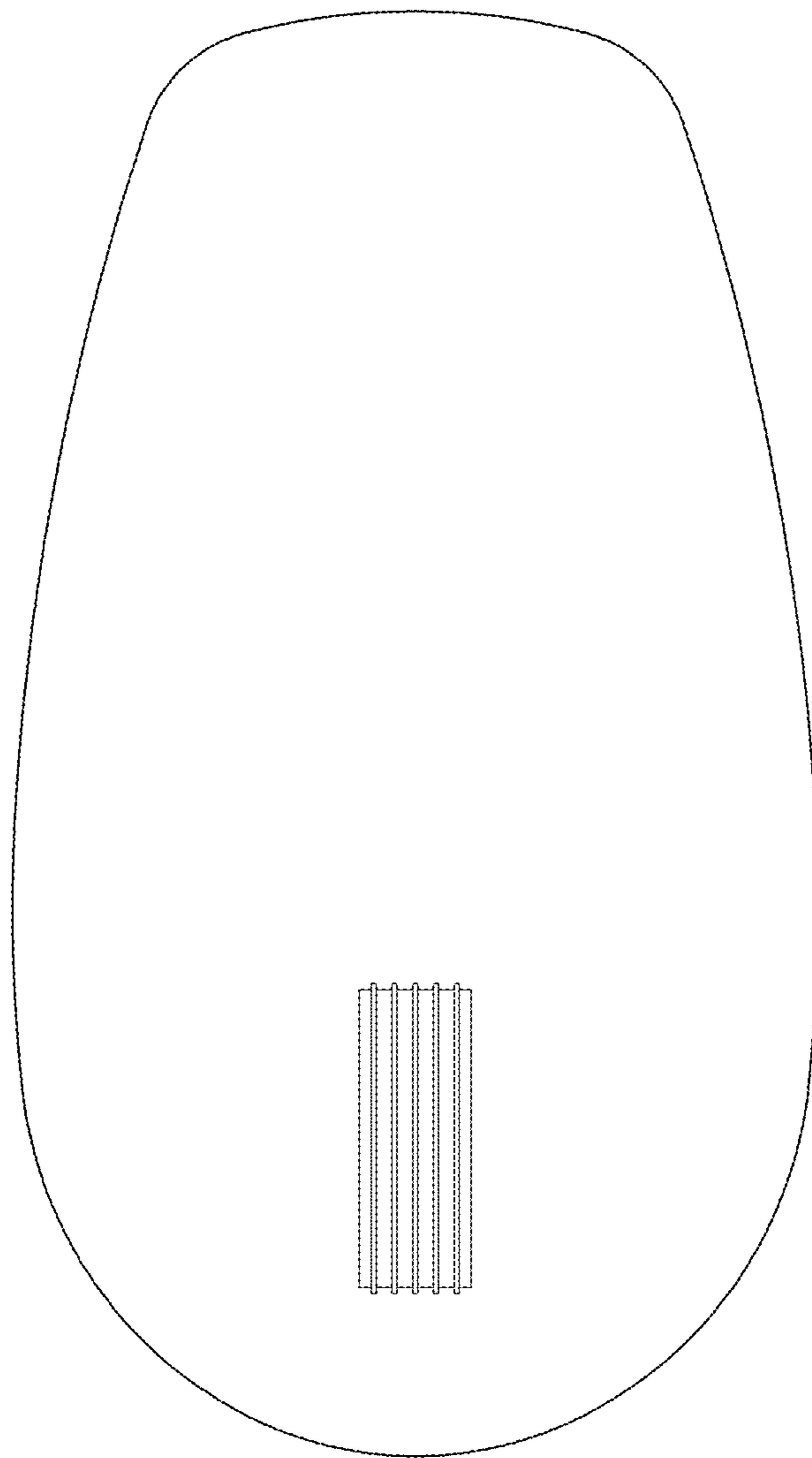


FIG. 7

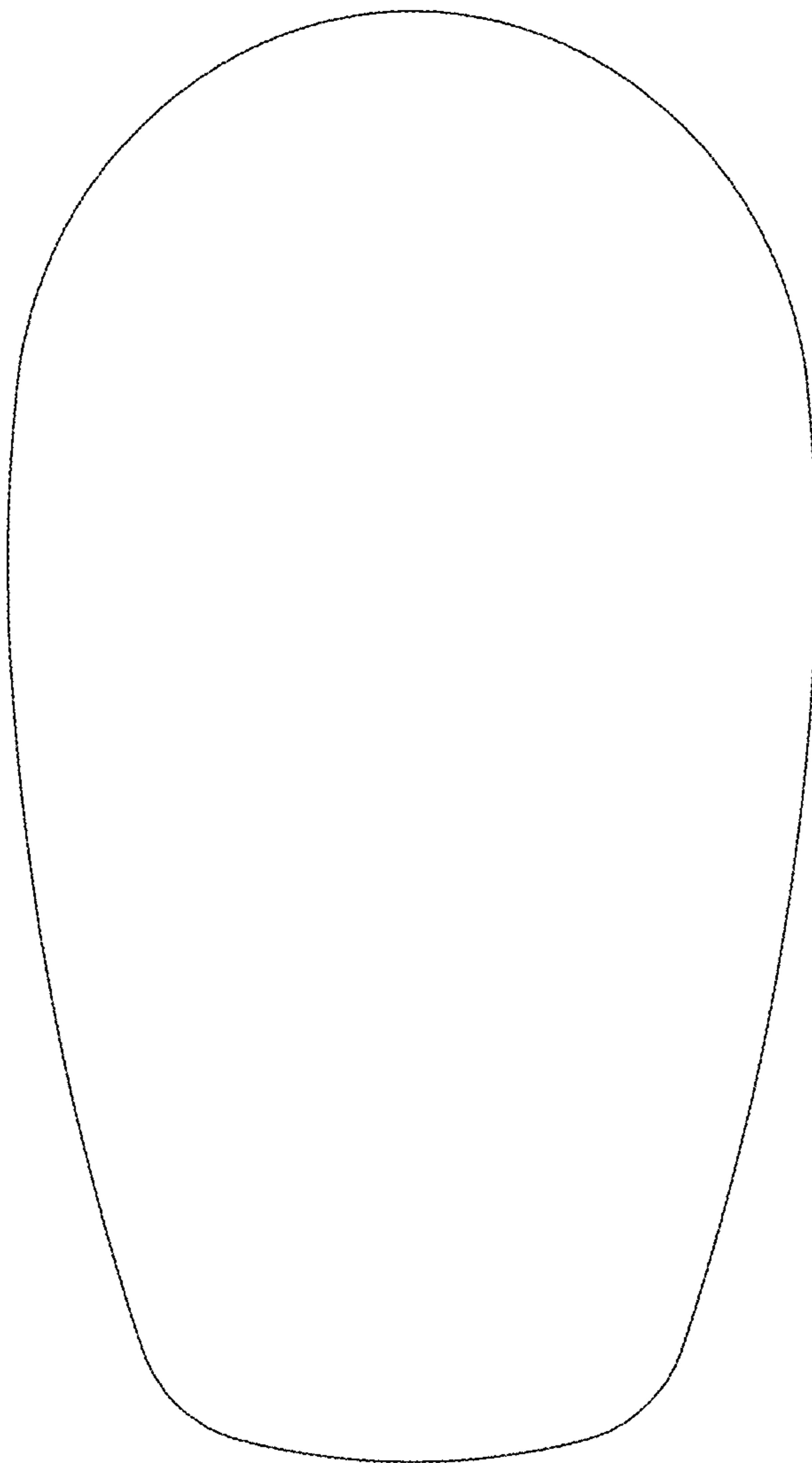


FIG. 8

