



US00D794027S

(12) **United States Design Patent** (10) **Patent No.:** **US D794,027 S**
Ironmonger et al. (45) **Date of Patent:** **** *Aug. 8, 2017**

(54) **GAMES CONTROLLER**
(71) Applicant: **Ironburg Inventions Ltd.**, Wincanton, Somerset (GB)
(72) Inventors: **Duncan Ironmonger**, Brookhaven, GA (US); **Carl S. Jeffrey**, Cheltenham (GB)
(73) Assignee: **Ironburg Inventions Ltd.**, Wincanton (GB)

6,231,444 B1 * 5/2001 Goto G05G 9/047
273/148 B
D443,617 S * 6/2001 Goto D14/413
6,251,015 B1 6/2001 Caprai
6,342,009 B1 * 1/2002 Soma A63F 13/24
273/148 B
7,314,413 B2 * 1/2008 Ogata A63F 13/06
273/148 B
D572,254 S * 7/2008 Goto D14/401
(Continued)

(*) Notice: This patent is subject to a terminal disclaimer.
(**) Term: **15 Years**

EP 2 479 636 7/2012
EP 2 698 185 2/2015
(Continued)

FOREIGN PATENT DOCUMENTS

(21) Appl. No.: **29/556,677**
(22) Filed: **Mar. 2, 2016**
(51) **LOC (10) Cl.** **14-02**
(52) **U.S. Cl.**
USPC **D14/401**
(58) **Field of Classification Search**
USPC D14/496, 401, 435, 474, 483, 217, 137, D14/138, 160, 168, 356, 203.1-203.8, D14/507; 345/156, 169, 173-179, 905; 715/727-729, 864, 700, 706, 719; 710/1, 710/5, 8; 713/1, 600; 455/1.1, 1.7, 73, 455/344-347, 93, 95, 3.01-3.06, 550.1, 455/573.1; 370/342-344; 369/1, 2, 369/6-12; 463/51-57, 40-47, 1, 29-35; D21/324, 328, 333; 273/148 B
CPC .. A63F 13/00; A63F 13/02; A63F 9/00; G06F 17/00; G06F 19/00
See application file for complete search history.

OTHER PUBLICATIONS

Burns, "Review: Scuf Xbox 360 Controller," Xboxer360.com (2010).
(Continued)

Primary Examiner — Prabhakar G Deshmukh
(74) *Attorney, Agent, or Firm* — Walters & Wasylyna LLC

(57) **CLAIM**

The ornamental design for a games controller, as shown and described.

DESCRIPTION

FIG. 1 is a perspective view of a games controller in accordance with the present design;
FIG. 2 is a front view of the games controller of FIG. 1;
FIG. 3 is a bottom view of the games controller of FIG. 1;
FIG. 4 is a top view of the games controller of FIG. 1;
FIG. 5 is a rear view of the games controller of FIG. 1;
FIG. 6 is a right side view of the games controller of FIG. 1; and,
FIG. 7 is a left side view of the games controller of FIG. 1.

1 Claim, 7 Drawing Sheets

(56) **References Cited**

U.S. PATENT DOCUMENTS

D424,047 S * 5/2000 Chan D14/401
6,171,191 B1 * 1/2001 Ogata A63F 13/06
273/148 B



(56)

References Cited

U.S. PATENT DOCUMENTS

7,510,477 B2 3/2009 Argentar
 D608,784 S * 1/2010 Biheller D14/401
 7,854,655 B2 * 12/2010 Mao G06F 3/017
 273/148 B
 7,859,514 B1 12/2010 Park
 D712,408 S * 9/2014 Sumii D14/401
 D715,296 S * 10/2014 Huang D14/401
 D733,802 S * 7/2015 Burgess D14/401
 D766,375 S * 9/2016 Kujawski D14/401
 2001/0003713 A1 6/2001 Willner et al.
 2002/0052237 A1 5/2002 Magill
 2002/0128064 A1 9/2002 Sobota
 2003/0067111 A1 4/2003 Swan
 2004/0259059 A1 12/2004 Aoki
 2005/0083297 A1 4/2005 Duncan
 2005/0255918 A1 11/2005 Riggs et al.
 2009/0088250 A1 4/2009 Carlson
 2009/0258705 A1 10/2009 Guinchard
 2010/0304865 A1 12/2010 Picunko

2011/0256930 A1 10/2011 Jaouen
 2011/0281649 A1 11/2011 Jaouen
 2012/0322553 A1 12/2012 Burgess et al.
 2014/0274397 A1 9/2014 Sebastian
 2015/0238855 A1 8/2015 Uy et al.

FOREIGN PATENT DOCUMENTS

GB 2 244 546 12/1991
 GB 2 481 633 1/2012
 WO WO 2008/131249 10/2008

OTHER PUBLICATIONS

“Rapid Fire Mod for Wireless Xbox 360 Controller,” forum on xbox-scene.com, (2008).
 “Thrustmaster USB game controller roundup,” dansdata.com/tmsticks.htm (2002).
 Coles, Olin, “Thrustmaster Run-N-Drive PC/PS3 Wireless Gamepad” BenchmarkReviews.com (2009).

* cited by examiner



FIG. 1



FIG. 2

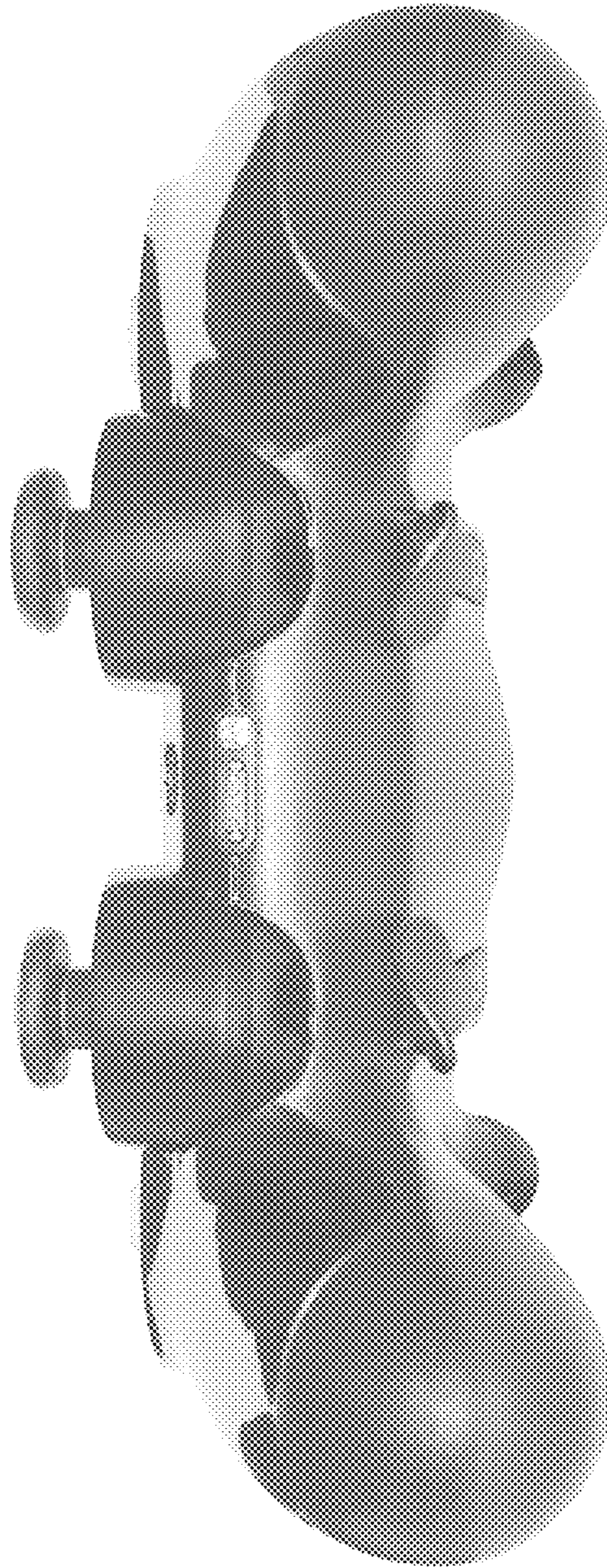


FIG. 3

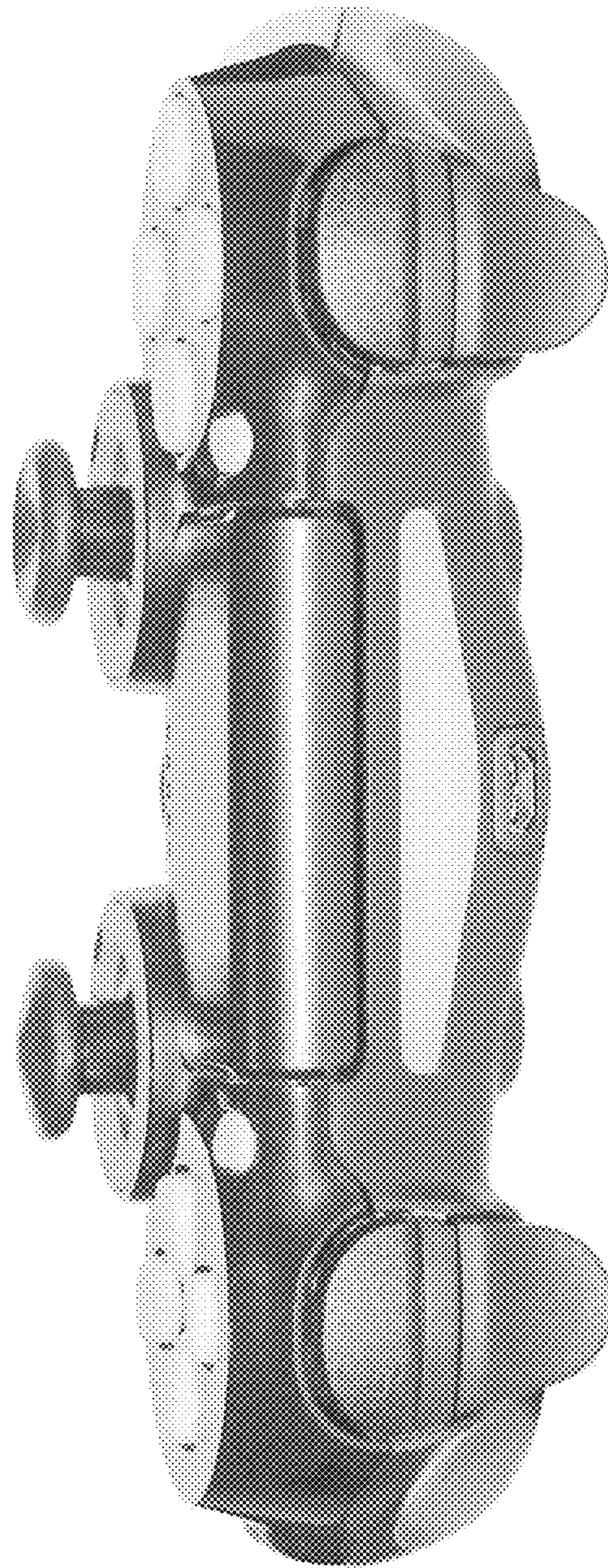


FIG. 4

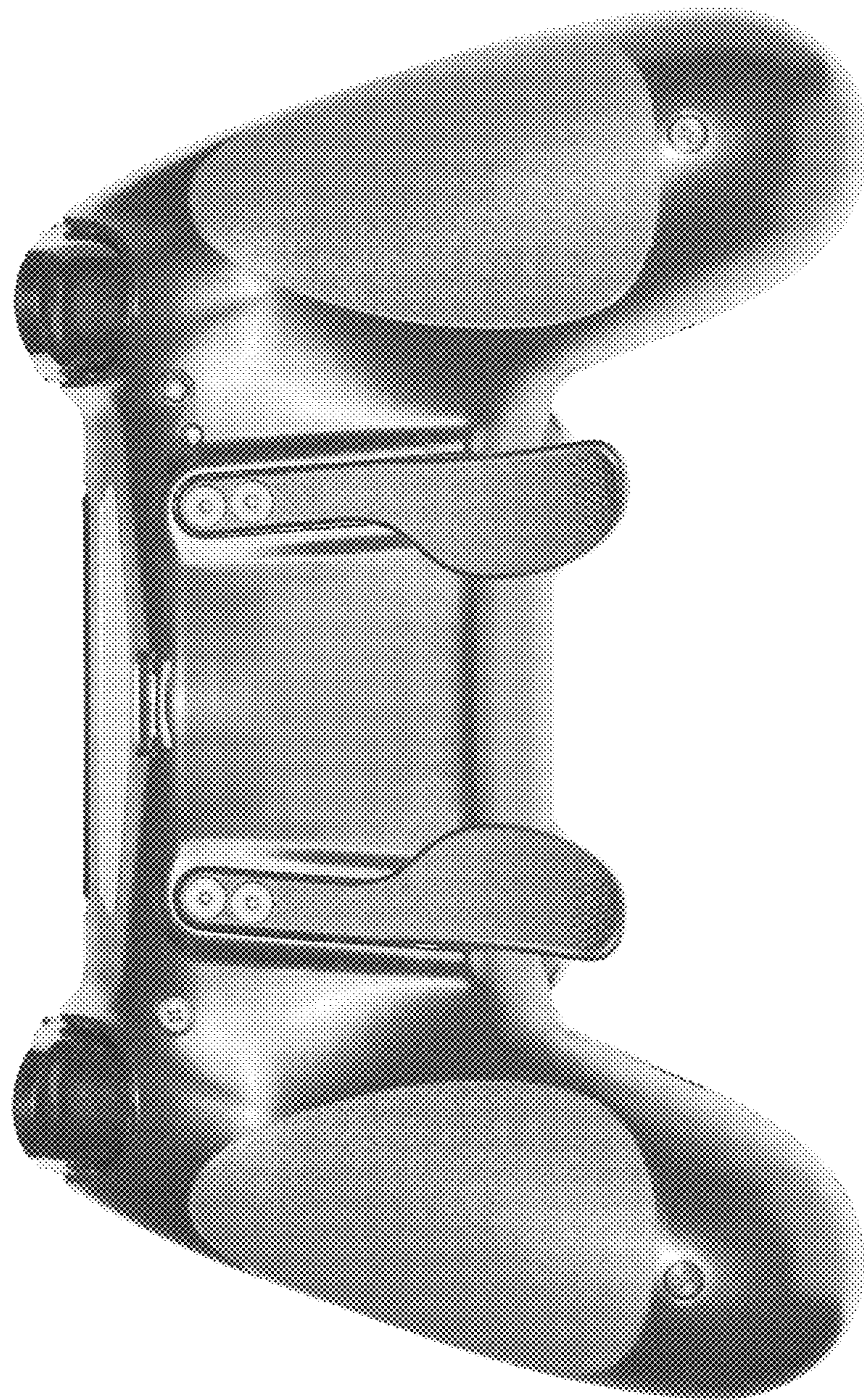


FIG. 5

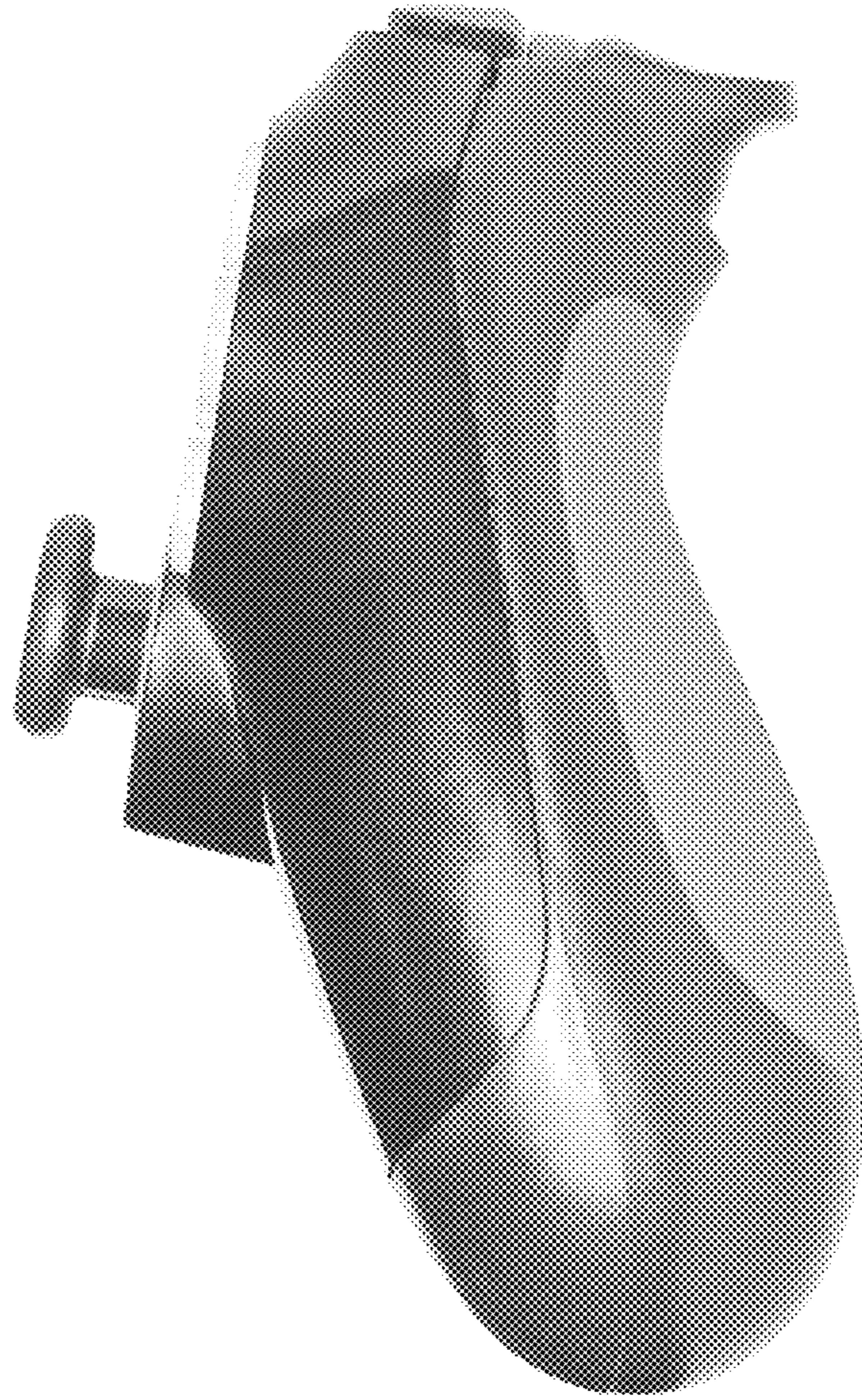


FIG. 6

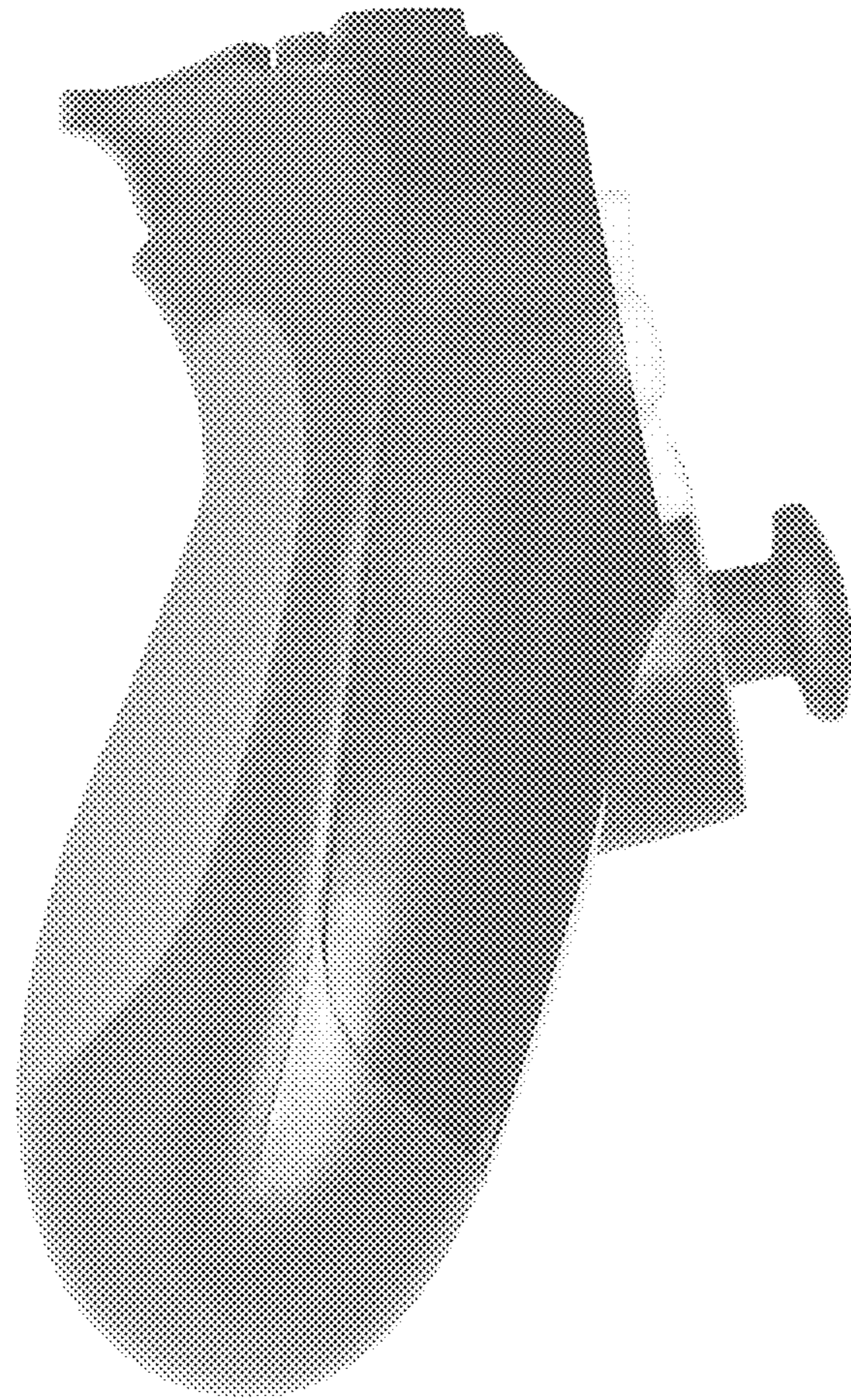


FIG. 7