



US00D794026S

(12) **United States Design Patent** (10) **Patent No.:** **US D794,026 S**
Kujawski et al. (45) **Date of Patent:** **** *Aug. 8, 2017**

(54) **SET OF PADDLES FOR A CONTROLLER**

FOREIGN PATENT DOCUMENTS

(71) Applicant: **Microsoft Corporation**, Redmond, WA (US)

JP D1297485 4/2007
JP D1424810 10/2011

(Continued)

(72) Inventors: **Christopher Kujawski**, Seattle, WA (US); **Carl J. Ledbetter**, Mercer Island, WA (US)

OTHER PUBLICATIONS

May 21, 2016—(CA) Examiners Report—App 168250; filed Apr. 29, 2016; Inv: Christopher Kujawski.

(Continued)

(73) Assignee: **Microsoft Corporation**, Redmond, WA (US)

(*) Notice: This patent is subject to a terminal disclaimer.

Primary Examiner — Freda S Nunn

(74) *Attorney, Agent, or Firm* — Banner & Witcoff, Ltd.

(**) Term: **15 Years**

(57) **CLAIM**

The ornamental design for set of paddles for a controller, as shown and described.

(21) Appl. No.: **29/543,976**

(22) Filed: **Oct. 29, 2015**

DESCRIPTION

(51) **LOC (10) Cl.** **14-03**

(52) **U.S. Cl.**

USPC **D14/401**

(58) **Field of Classification Search**

USPC D13/103, 108, 158; D14/203.1–203.2, D14/356, 400, 401, 412–417, 454–456, D14/507; D21/324, 329, 333, 566

CPC A63F 13/00; A63F 13/02; A63F 13/06; A63F 9/00; A63F 17/00; A63F 19/00; A63F 9/24; A63F 71/00; A63F 13/005; A63F 13/24; G09G 5/00; G09G 5/08; G11B 19/02; G06F 19/00; G08C 23/04; H04B 7/00

See application file for complete search history.

FIG. 1 is a front perspective view of the set of paddles for a controller showing our new design;

FIG. 2 is a front view thereof;

FIG. 3 is a rear view thereof;

FIG. 4 is a bottom side view thereof;

FIG. 5 is a top side view thereof;

FIG. 6 is a left side view thereof;

FIG. 7 is a right side view thereof;

FIG. 8 is a front perspective view of the set of paddles for a controller of FIGS. 1-7 shown in an unclaimed controller environment;

FIG. 9 is a front view thereof;

FIG. 10 is a bottom view thereof;

FIG. 11 is a top side view thereof;

FIG. 12 is a left side view thereof; and,

FIG. 13 is a rear view thereof.

The broken line showing of the various unshaded elements of the set of paddles for a controller in FIGS. 1 and 3-13 is for environmental purposes only and forms no part of the claimed design.

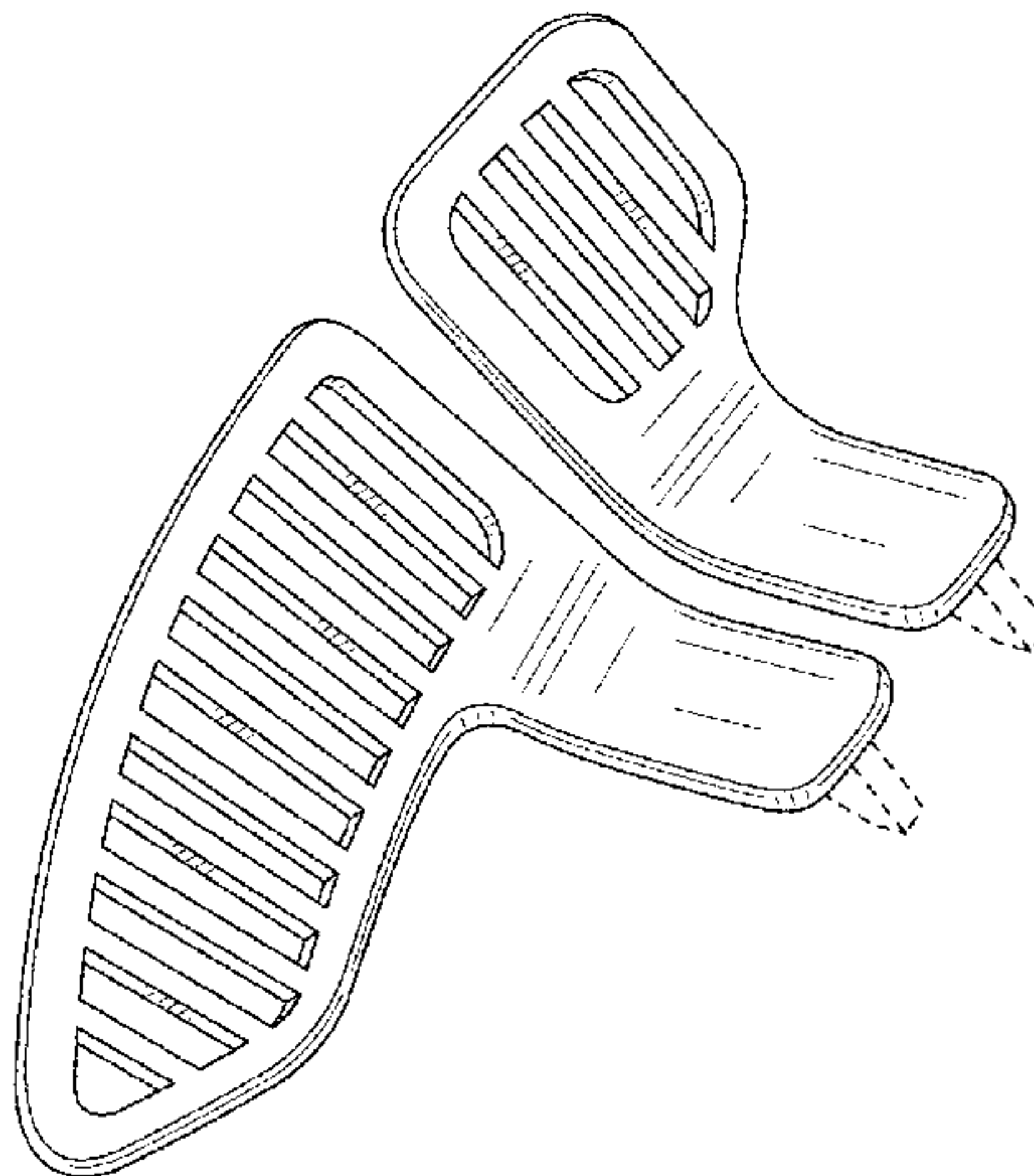
(56) **References Cited**

U.S. PATENT DOCUMENTS

D273,246 S 4/1984 Tonkel
D368,936 S 4/1996 Goto
D373,108 S 8/1996 Chung

(Continued)

1 Claim, 10 Drawing Sheets



(56)

References Cited

U.S. PATENT DOCUMENTS

5,551,693 A * 9/1996 Goto A63F 13/06
345/169
D398,214 S 9/1998 Yui
5,923,317 A * 7/1999 Sayler A63F 13/06
345/156
D415,485 S * 10/1999 Leifer D14/401
D415,752 S 10/1999 Tyler et al.
D423,448 S 4/2000 Yu
D424,047 S 5/2000 Chan
D430,222 S * 8/2000 Goto D14/432
6,120,374 A * 9/2000 Akada A63F 13/005
463/3
D435,551 S 12/2000 Hayes
6,231,444 B1 5/2001 Goto et al.
D449,042 S 10/2001 Chung
D453,932 S 2/2002 Han et al.
6,463,159 B1 10/2002 Ming-Cheng
D467,922 S 12/2002 Lee
D469,436 S * 1/2003 Hussaini D14/401
D476,376 S 6/2003 Wintersteiger
6,572,108 B1 6/2003 Bristow
6,743,100 B1 * 6/2004 Neiser A63F 13/06
273/148 B
6,956,559 B2 10/2005 Hagiwara et al.
6,968,070 B1 11/2005 Chiang
D521,015 S 5/2006 Hayes et al.
D522,011 S 5/2006 Hayes et al.
D522,012 S 5/2006 Hayes et al.
7,063,321 B2 6/2006 Hussaini et al.
D524,244 S 7/2006 Hussaini et al.
7,105,754 B2 9/2006 Turner
D533,011 S 12/2006 Pai
7,195,561 B2 3/2007 Hussaini et al.
D545,317 S 6/2007 Wang et al.
7,235,012 B2 6/2007 DiDato
D547,763 S 7/2007 Hayes et al.
D556,201 S 11/2007 Ashida et al.
7,314,413 B2 1/2008 Ogata et al.
D563,480 S 3/2008 Blaseflug et al.
D565,668 S 4/2008 Baseflug et al.
D568,335 S 5/2008 Armstrong et al.
D569,388 S 5/2008 Armstrong et al.
D576,545 S 9/2008 Mandel et al.
D581,422 S 11/2008 Hayes et al.
7,445,550 B2 11/2008 Barney et al.
D585,931 S * 2/2009 Palmer D14/401
D601,564 S 10/2009 Maeno
D619,596 S 7/2010 Maitlen et al.
7,762,553 B2 7/2010 Harris
D624,049 S 9/2010 Liu
7,887,768 B2 2/2011 Honjo et al.
D636,773 S 4/2011 Lin
D637,153 S 5/2011 Ikeda et al.
D638,016 S 5/2011 Ikeda
D646,275 S 10/2011 Ikeda et al.
8,040,671 B2 10/2011 Iwamoto et al.
D650,795 S 12/2011 Koehn
D655,350 S 3/2012 Taniguchi et al.
D658,178 S 4/2012 Ikeda et al.
D658,179 S * 4/2012 Ikeda D14/401
D659,140 S 5/2012 Ikeda et al.
8,241,124 B2 8/2012 Kelly et al.
D667,892 S 9/2012 Burgess et al.
D685,434 S 7/2013 Ali et al.
8,487,876 B2 7/2013 Ikeda et al.
D692,001 S 10/2013 Ibuki et al.
8,545,323 B2 10/2013 McVicar et al.
D692,887 S 11/2013 Ibuki et al.
D694,830 S 12/2013 Crowley et al.
D700,182 S 2/2014 Kidakarn
8,641,525 B2 2/2014 Burgess et al.
D707,758 S 6/2014 Norman et al.
D708,615 S 7/2014 Delrue et al.
D709,498 S 7/2014 Morris et al.
D709,499 S 7/2014 Morris et al.

D709,882 S 7/2014 Morris et al.
D712,973 S 9/2014 Sumii et al.
D715,865 S 10/2014 Morris et al.
D718,705 S 12/2014 Naksen
D718,818 S 12/2014 Sumii et al.
8,903,100 B2 12/2014 Hiraki
8,903,111 B2 12/2014 Garet et al.
8,925,414 B1 1/2015 Park et al.
8,994,666 B2 3/2015 Karpfinger
D730,451 S 5/2015 Burgess et al.
9,029,721 B2 5/2015 Ikeda et al.
9,053,243 B2 6/2015 Townsend
D733,802 S 7/2015 Burgess et al.
D735,721 S 8/2015 Mar
D736,322 S 8/2015 Navid
9,118,750 B2 8/2015 Vossoughi et al.
D740,825 S * 10/2015 Bellinghausen D14/401
D745,607 S 12/2015 Jones
D748,734 S 2/2016 Burgess et al.
9,251,701 B2 2/2016 Plagge et al.
D754,128 S 4/2016 Bellinghausen et al.
D763,967 S 8/2016 Kujawski et al.
D764,597 S 8/2016 Kujawski et al.
D765,787 S 9/2016 Kujawski et al.
D765,788 S 9/2016 Kujawski et al.
D765,790 S 9/2016 Chatterjee et al.
D765,791 S 9/2016 Chatterjee et al.
D765,792 S 9/2016 Chatterjee et al.
D765,793 S 9/2016 Chatterjee et al.
D766,374 S 9/2016 Kujawski et al.
D766,375 S 9/2016 Kujawski et al.
D766,376 S 9/2016 Kujawski et al.
D766,377 S 9/2016 Kujawski et al.
D767,038 S 9/2016 Kujawski et al.
D767,684 S 9/2016 Kujawski et al.
D768,784 S 10/2016 Kujawski et al.
D770,568 S 11/2016 Kujawski et al.
D772,987 S 11/2016 Kujawski et al.
D772,988 S 11/2016 Kujawski et al.
D773,561 S 12/2016 Kujawski et al.
D774,143 S 12/2016 Kujawski et al.
2006/0079328 A1 * 4/2006 Wang A63F 13/06
463/37
2006/0116204 A1 6/2006 Chen et al.
2013/0130800 A1 * 5/2013 Sirilux A63F 13/24
463/37

FOREIGN PATENT DOCUMENTS

JP D1492113 2/2014
JP D1492114 3/2014
JP D1492115 3/2014
JP D1549312 4/2016
JP D1551961 6/2016
JP D1552375 6/2016
KR 30-0751062-000 7/2014
TW D165791 2/2015
TW D165793 2/2015
TW D177467 8/2016
TW D177469 8/2016

OTHER PUBLICATIONS

Side-by-side: Xbox One Gamepad vs Xbox 360 gamepad (Jun. 11, 2013), <http://www.techradar.com/us/news/gaming/consoles/side-by-side-xbox-one-gamepad-vs-xbox-360-gamepad-1158091>.
May 2, 2016—(US) Notice of Allowance—U.S. Appl. No. 29/530,225, filed Jun. 15, 2015; Inv: Christopher Kujawski.
May 11, 2016—(US) Restriction Requirement—U.S. Appl. No. 29/530,106, filed Jun. 15, 2015; Inv: Christopher Kujawski.
May 10, 2016—(US) Restriction Requirement—U.S. Appl. No. 29/530,098, filed Jun. 15, 2015; Inv: Christopher Kujawski.
May 17, 2016—(US) Notice of Allowance—U.S. Appl. No. 29/530,102, filed Jun. 12, 2015; Inv: Christopher Kujawski.
May 6, 2016—(US) Notice of Allowance—U.S. Appl. No. 29/530,110, filed Jun. 12, 2015; Inv: Christopher Kujawski.

(56)

References Cited

OTHER PUBLICATIONS

May 5, 2016—(US) Notice of Allowance—U.S. Appl. No. 29/530,108, filed Jun. 12, 2015; Inv: Christopher Kujawski.
 May 2, 2016—(US) Notice of Allowance—U.S. Appl. No. 29/530,122, filed Jun. 12, 2015; Inv: Christopher Kujawski.
 Apr. 26, 2016—(US) Notice of Allowance—U.S. Appl. No. 29/530,111, filed Jun. 12, 2015; Inv: Christopher Kujawski.
 Apr. 11, 2016—(US) Notice of Allowance—U.S. Appl. No. 29/530,113, filed Jun. 12, 2015; Inv: Christopher Kujawski.
 Apr. 14, 2016—(US) Non-Final Office Action—U.S. Appl. No. 29/530,114, filed Jun. 12, 2015; Inv: Christopher Kujawski.
 Apr. 11, 2016—(US) Notice of Allowance—U.S. Appl. No. 29/530,115, filed Jun. 12, 2015; Inv: Christopher Kujawski.
 May 6, 2016—(US) Notice of Allowance—U.S. Appl. No. 29/530,116, filed Jun. 12, 2015; Inv: Christopher Kujawski.
 May 2, 2016—(US) Notice of Allowance—U.S. Appl. No. 29/530,120, filed Jun. 12, 2015; Inv: Christopher Kujawski.
 May 6, 2016—(US) Notice of Allowance—U.S. Appl. No. 29/530,285, filed Jun. 15, 2015; Inv: Christopher Kujawski.
 Jun. 22, 2016—(US) Notice of Allowance—U.S. Appl. No. 29/530,243, filed Jun. 12, 2015; Inv: Christopher Kujawski.
 Apr. 26, 2016—(US) Non-Final Office Action U.S. Appl. No. 29/530,237, filed Jun. 15, 2015; Inv: Christopher Kujawski.
 Jul. 27, 2016—(IN) Office Action—App. 282,967; filed Apr. 28, 2016; Inv: Christopher Kujawski.
 Aug. 2, 2016—(IN) Office Action—App 282964; filed Apr. 28, 2016; Inv: Christopher Kujawski.
 Jul. 27, 2016—(IN) Office Action—App 282965; filed Apr. 28, 2016; Inv: Christopher Kujawski.
 Aug. 2, 2016—(IN) Office Action—App 282968; filed Apr. 28, 2016; Inv: Christopher Kujawski.
 Aug. 4, 2016—(VN) Office Action—App 282968; filed Apr. 27, 2016; Inv: Christopher Kujawski.
 Aug. 2, 2016—(IN) Office Action—App 282966; filed Apr. 28, 2016; Inv: Christopher Kujawski.
 Jul. 22, 2016—(US) Notice of Allowance—U.S. Appl. No. 29/530,098, filed Jun. 12, 2015; Inv: Christopher Kujawski.
 Jul. 22, 2016—(US) Notice of Allowance—U.S. Appl. No. 29/530,106, filed Jun. 12, 2015; Inv: Christopher Kujawski.
 Jul. 25, 2016—(US) Notice of Allowance—U.S. Appl. No. 29/530,112, filed Jun. 12, 2015; Inv: Christopher Kujawski.
 Aug. 1, 2016—(US) Notice of Allowance—U.S. Appl. No. 29/530,114, filed Jun. 12, 2015; Inv: Christopher Kujawski.
 Aug. 5, 2016—(US) Notice of Allowance—U.S. Appl. No. 29/530,237, filed Jun. 15, 2015; Inv: Christopher Kujawski.

May 19, 2016—(KR) Office Action—App 30-2015-0063248; filed Dec. 11, 2015; Inv: Christopher Kujawski.
 Aug. 22, 2016—(KR) Office Action—App 30-2015-0063248; filed Dec. 11, 2015; Inv: Christopher Kujawski.
 Apr. 26, 2016—(JP) Office Action—App 2015-027786; filed Dec. 11, 2015; Inv: Christopher Kujawski.
 Aug. 23, 2016—(JP) Office Action—App 2015-027786; filed Dec. 11, 2015; Inv: Christopher Kujawski.
 Sep. 23, 2016—(US) Notice of Allowance—U.S. Appl. No. 29/543,968; filed Oct. 29, 2015; Inv.: Christopher Kujawski.
 Sep. 29, 2016—(TW) Notice of Allowance—App 105302369.
 Sep. 26, 2016—(TW) Search Report—App 105302369.
 Sep. 22, 2016—(TW) Search Report—App 105302366—Eng Tran.
 Sep. 26, 2016—(TW) Notice of Allowance—App 105302366.
 Sep. 29, 2016—(TW) Notice of Allowance—App 105302361.
 Sep. 22, 2016—(TW) Search Report—App 105302361—Eng Tran.
 Sep. 29, 2016—(TW) Notice of Allowance—App 105302367.
 Sep. 22, 2016—(TW) Search Report—App 105302367—Eng Tran.
 Nov. 30, 2016—(US) Non-Final Office Action—U.S. Appl. No. 29/543,976, filed Oct. 29, 2015; Inv: Christopher Kujawski.
 Nov. 28, 2016—(US) Notice of Allowance—U.S. Appl. No. 29/543,897, filed Oct. 29, 2015; Inv.: Christopher Kujawski.
 Dec. 6, 2016—(US) Notice of Allowance—U.S. Appl. No. 29/543,958, filed Jan. 29, 2015; Inv.: Christopher Kujawski.
 Nov. 28, 2016—(US) Notice of Allowance—U.S. Appl. No. 29/543,931, filed Jan. 29, 2015; Inv.: Christopher Kujawski.
 Sep. 19, 2016—(TW) Notice of Allowance—App 104306953D01.
 Sep. 9, 2016—(TW) Search Report—App 104306953D01—Eng Tran.
 Sep. 22, 2016—(TW) Search Report—App 105302371.
 Nov. 16, 2016—(TW) Search Report—App 105302368—Eng Tran.
 Nov. 15, 2016—(TW) Notice of Allowance—App 105302362.
 Sep. 29, 2016—(TW) Notice of Allowance—App 105302370.
 Dec. 12, 2016—(US) Notice of Allowance—U.S. Appl. No. 29/543,963; filed Oct. 29, 2015; Inv.: Christopher Kujawski.
 Nov. 7, 2016—(TW) Search Report—App 105302362.
 Sep. 22, 2016—(TW) Search Report—App 105302370.
 Dec. 14, 2016—(US) Notice of Allowance—U.S. Appl. No. 29/543,898, filed Oct. 29, 2015; Inv.: Christopher Kujawski.
 Dec. 14, 2016—(US) Notice of Allowance—U.S. Appl. No. 29/543,902, filed Oct. 29, 2015; Inv.: Christopher Kujawski.
 Dec. 12, 2016—(US) Notice of Allowance—U.S. Appl. No. 29/543,914, filed Oct. 26, 2015; Inv.: Christopher Kujawski.
 Sep. 29, 2016—(TW) Notice of Allowance—App 105302371.
 Dec. 20, 2016—(US) Notice of Allowance—U.S. Appl. No. 29/543,904, filed Oct. 29, 2015; Inv.: Christopher Kujawski.

* cited by examiner

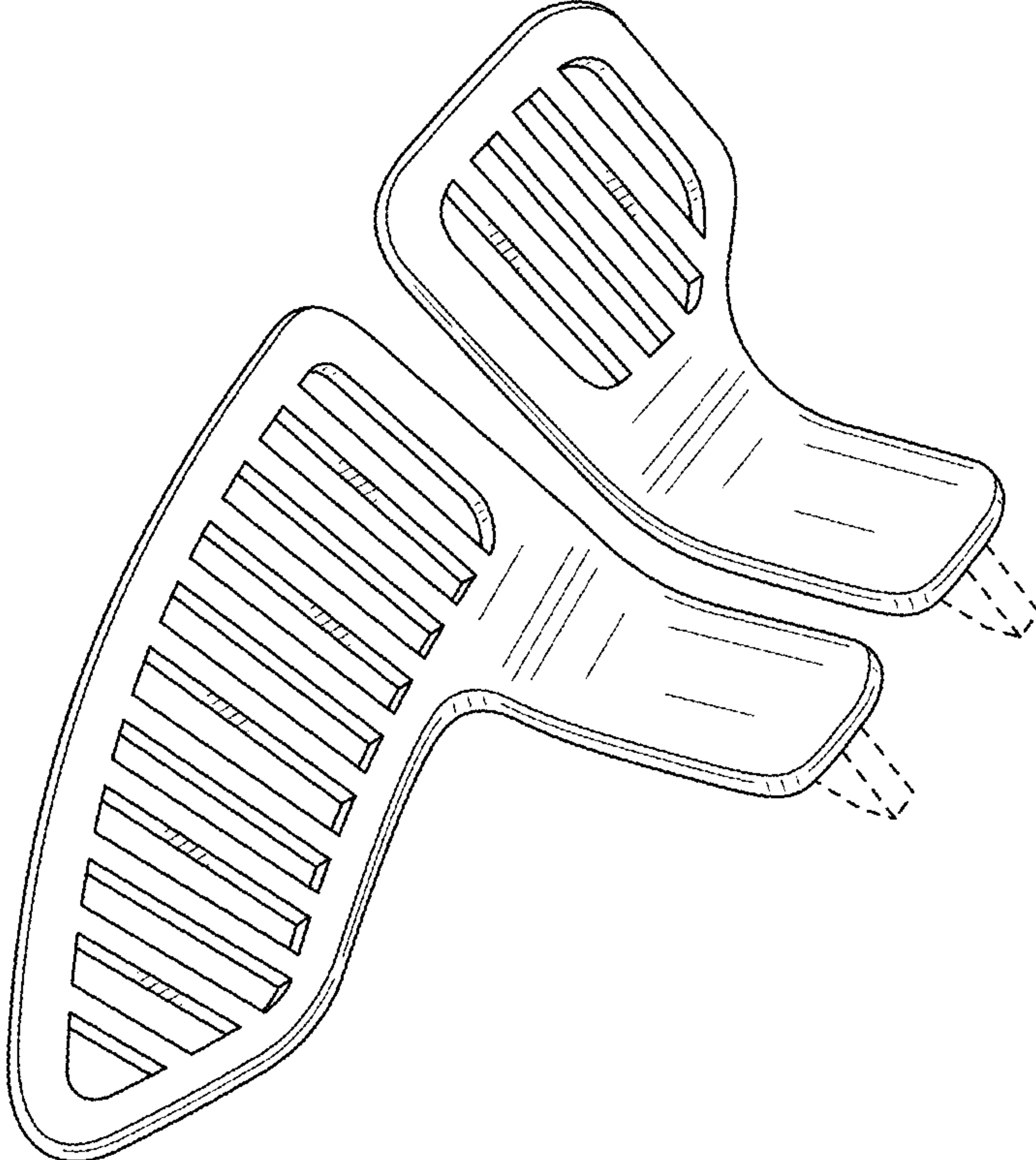


FIG. 1

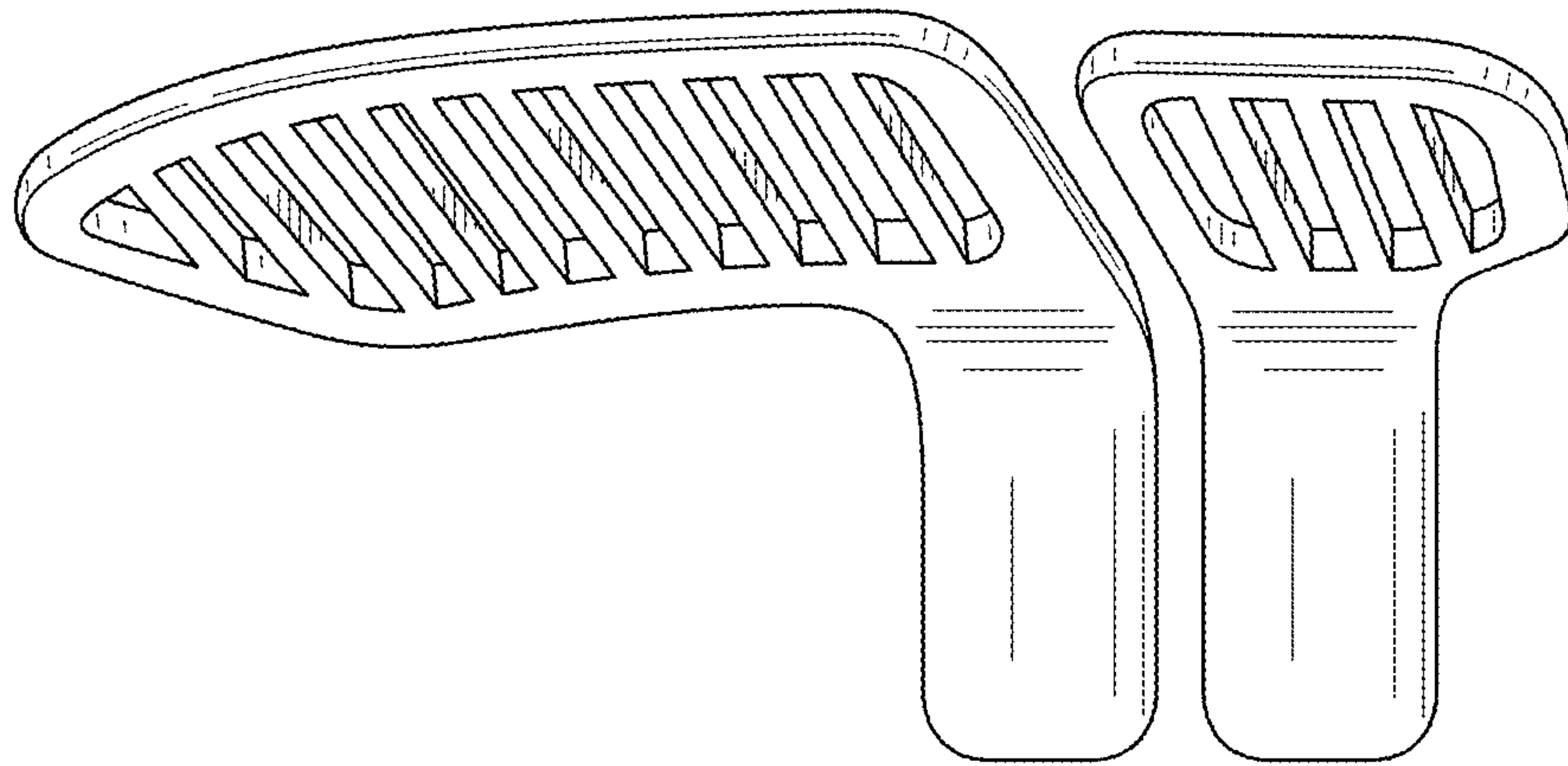


FIG. 2

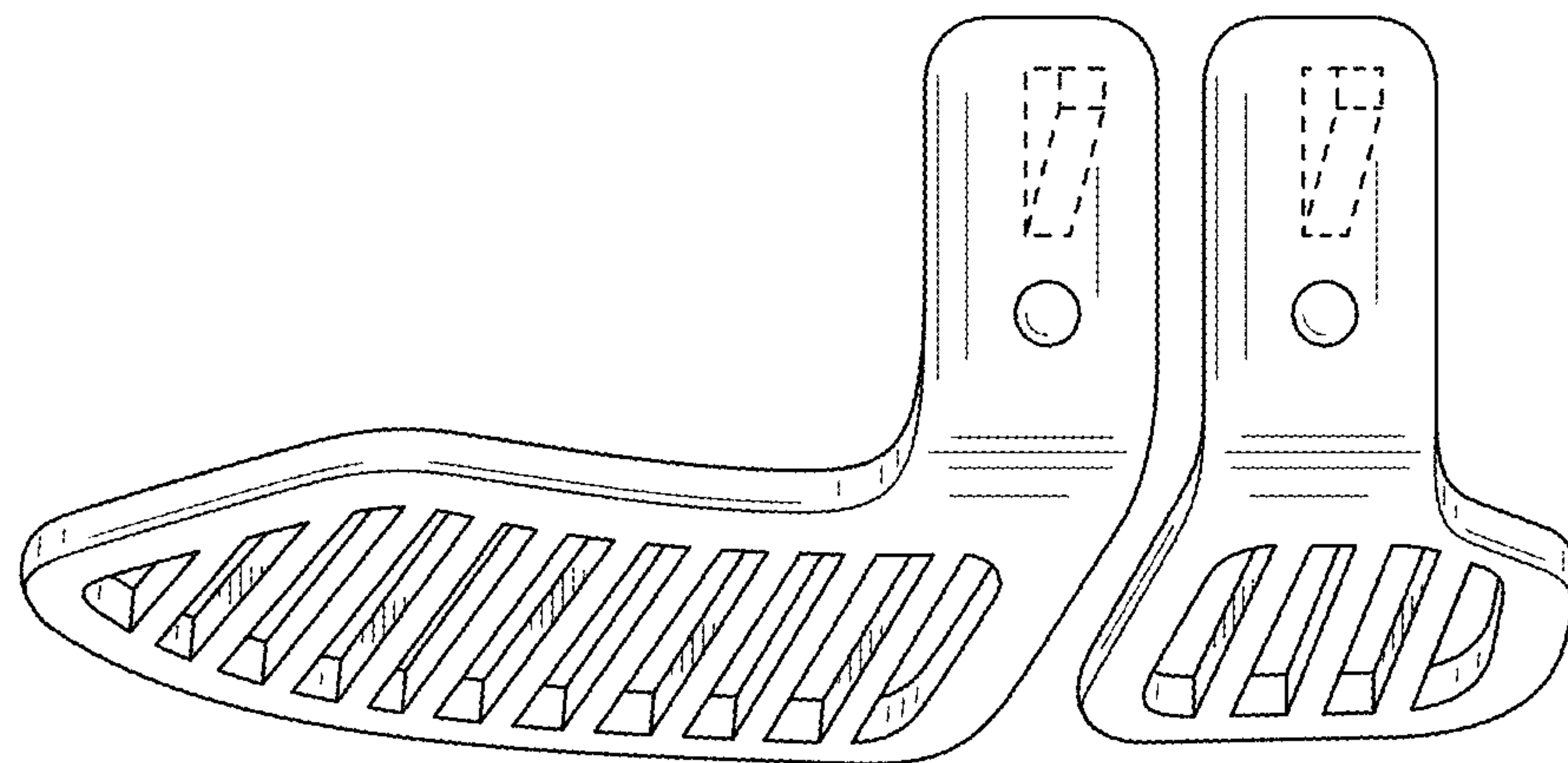


FIG. 3

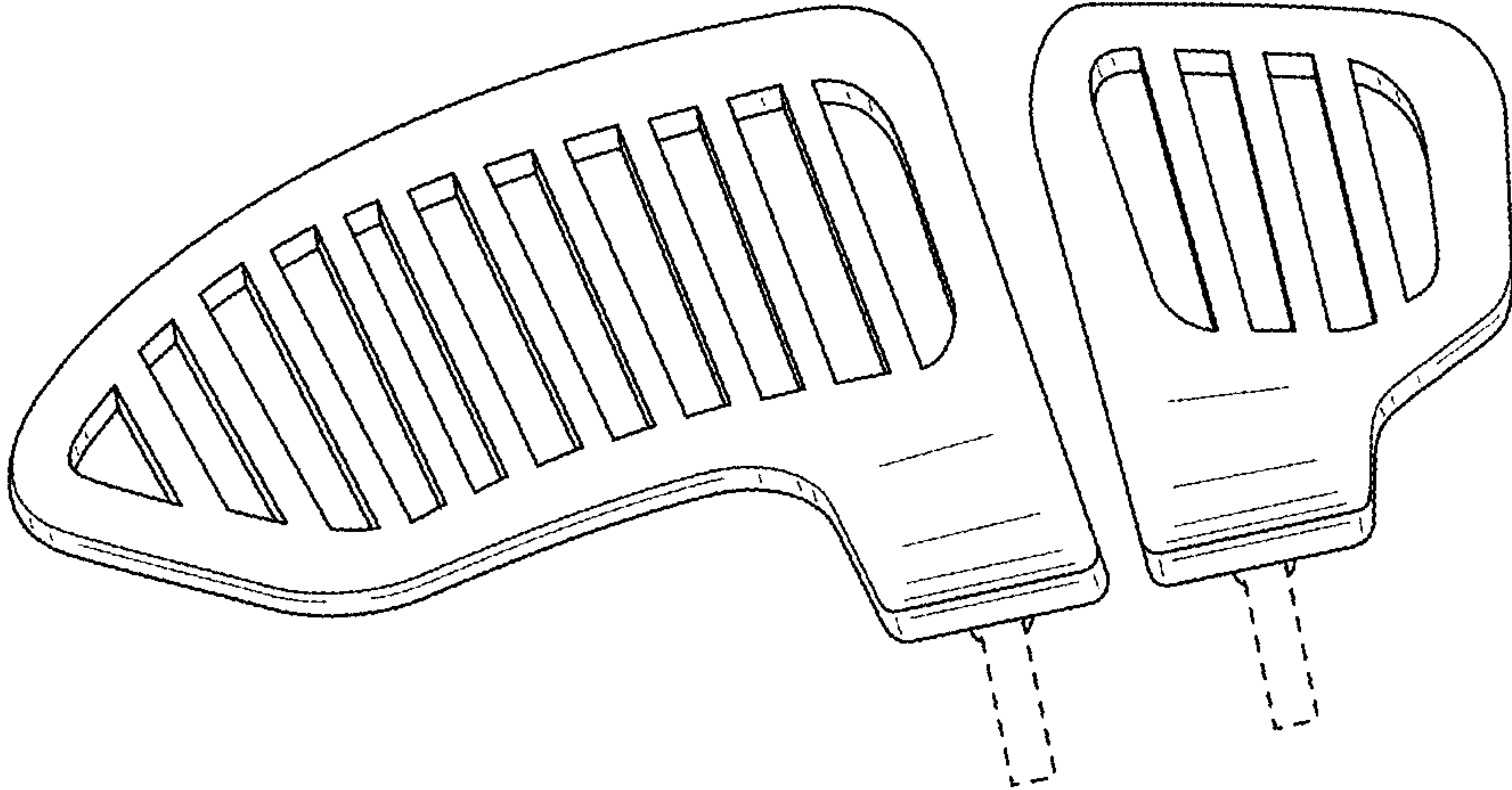


FIG. 4

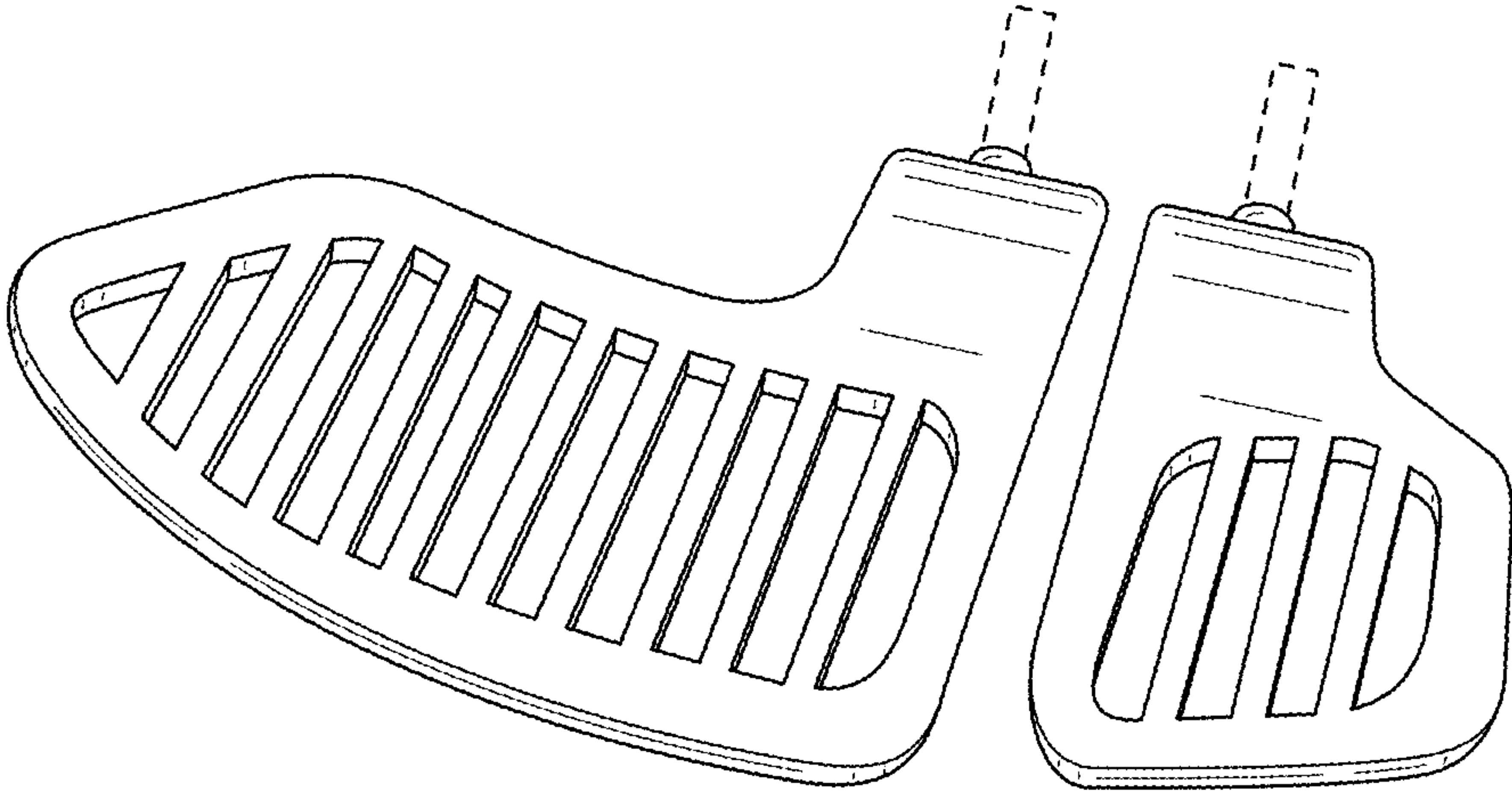


FIG. 5

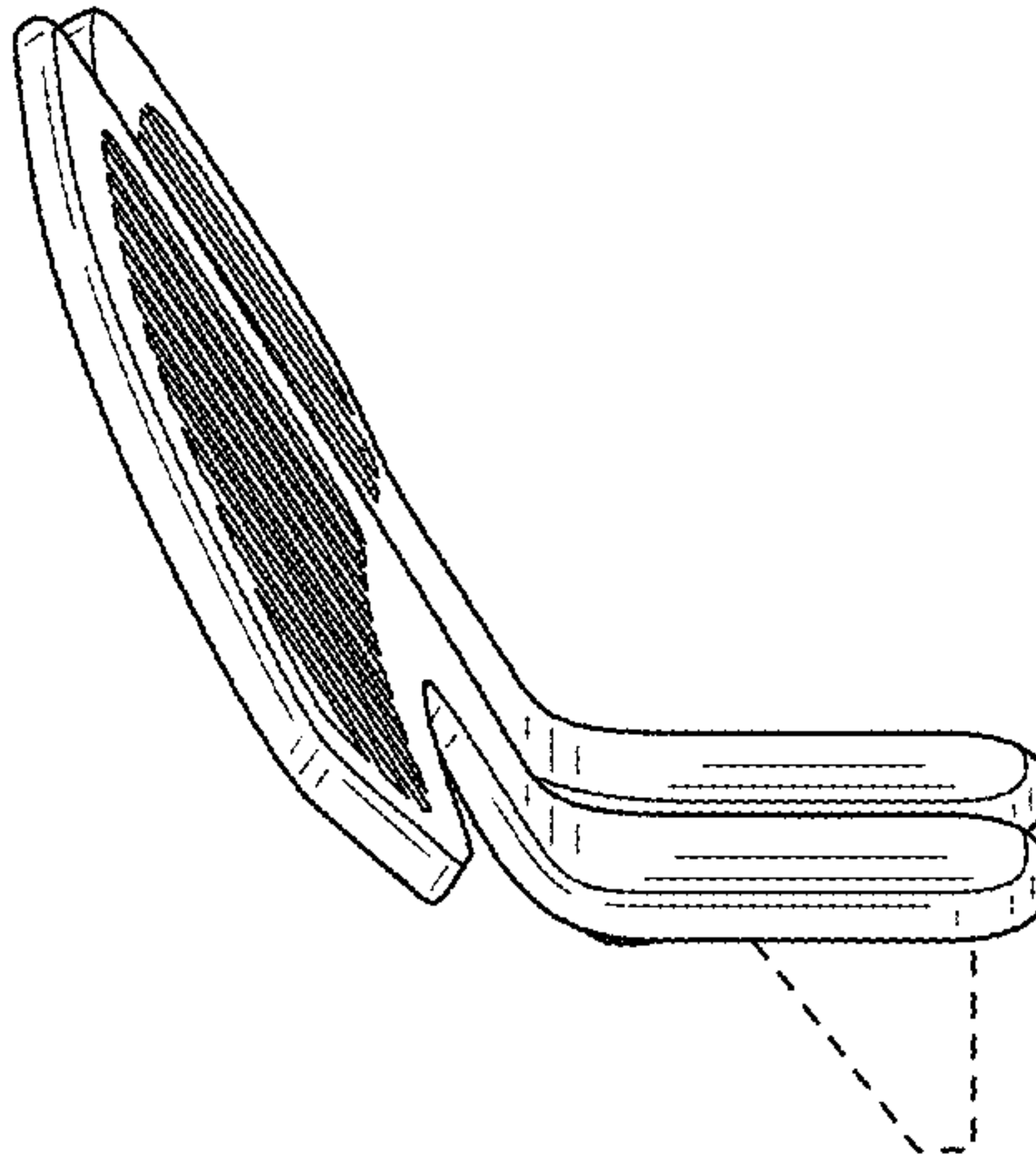


FIG. 6

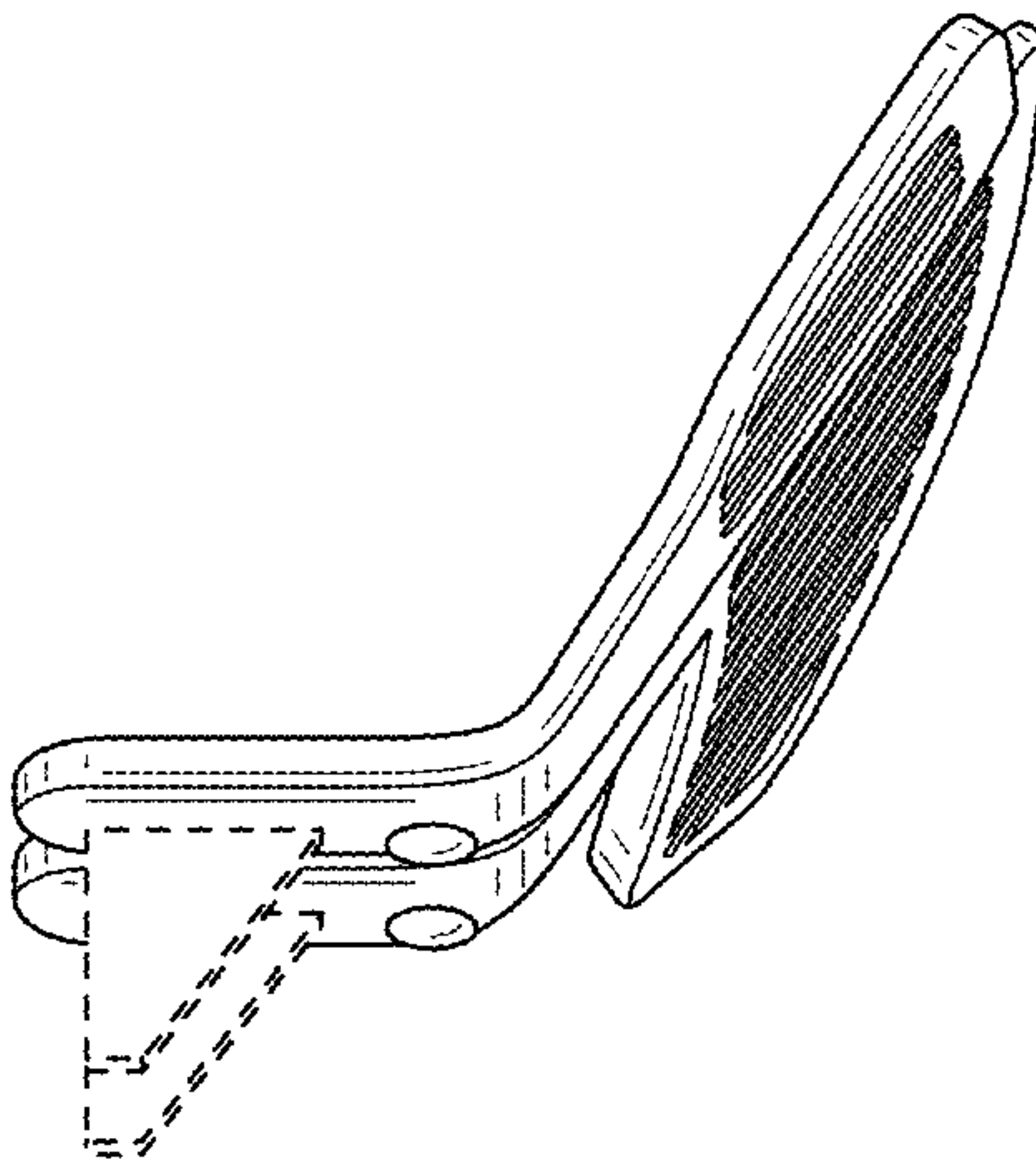


FIG. 7

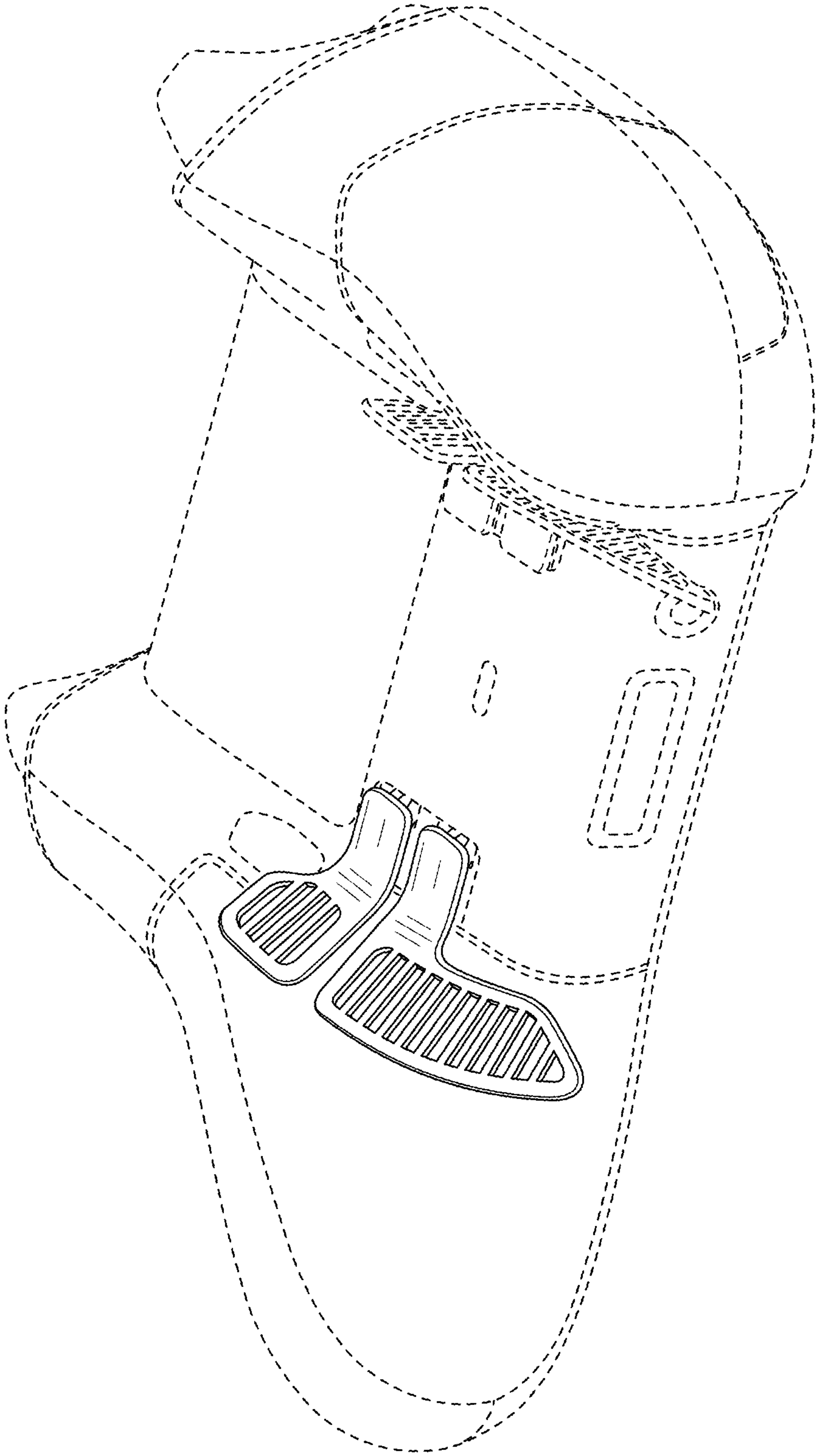


FIG. 8

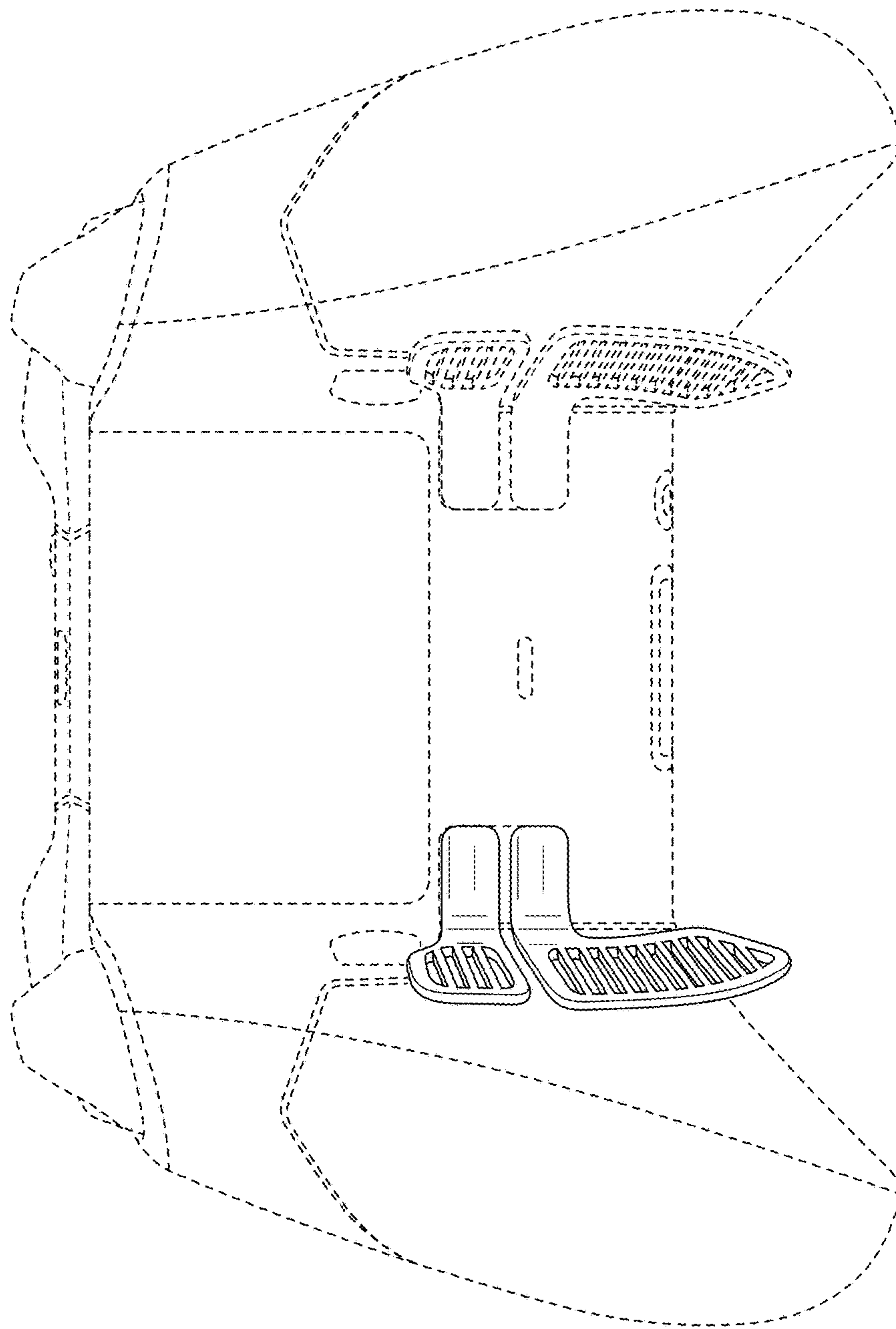


FIG. 9

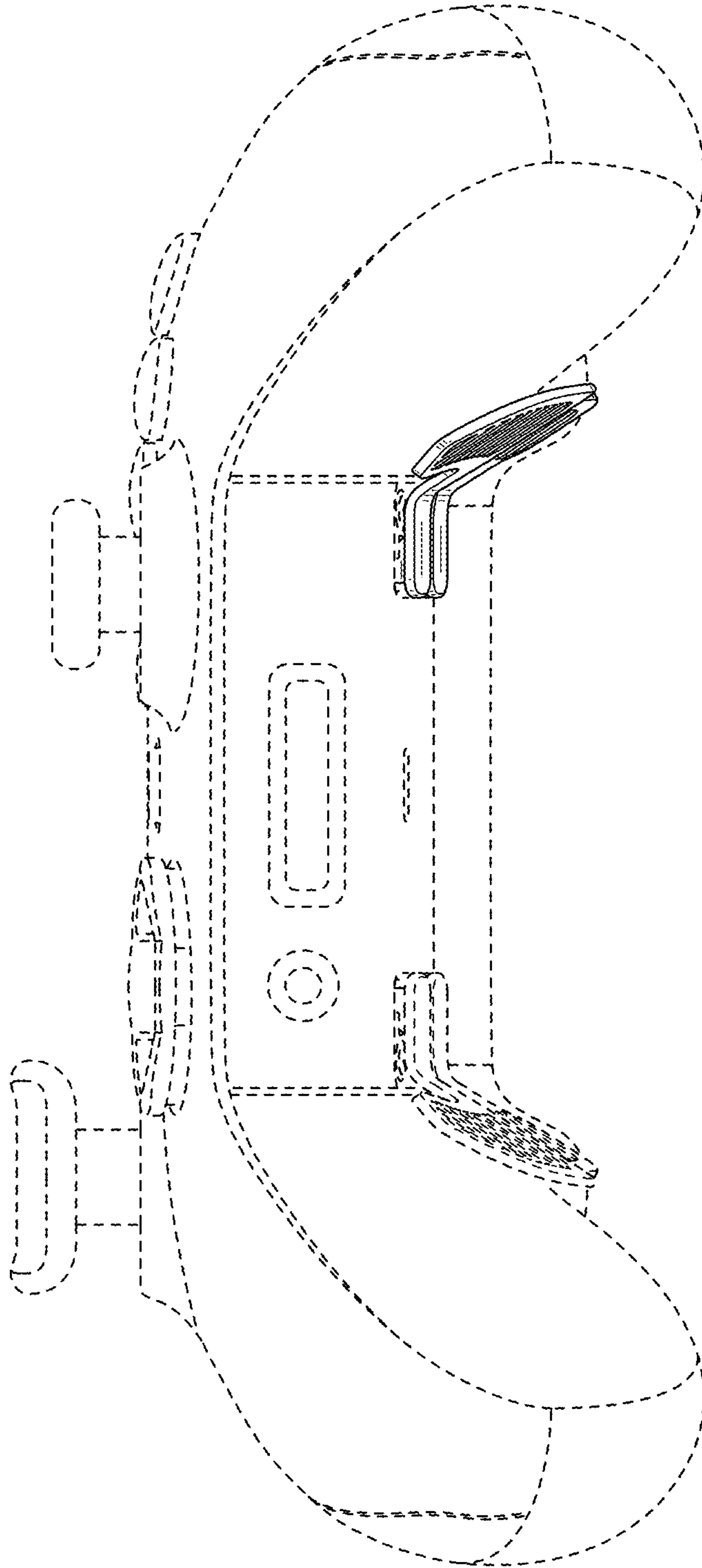


FIG. 10

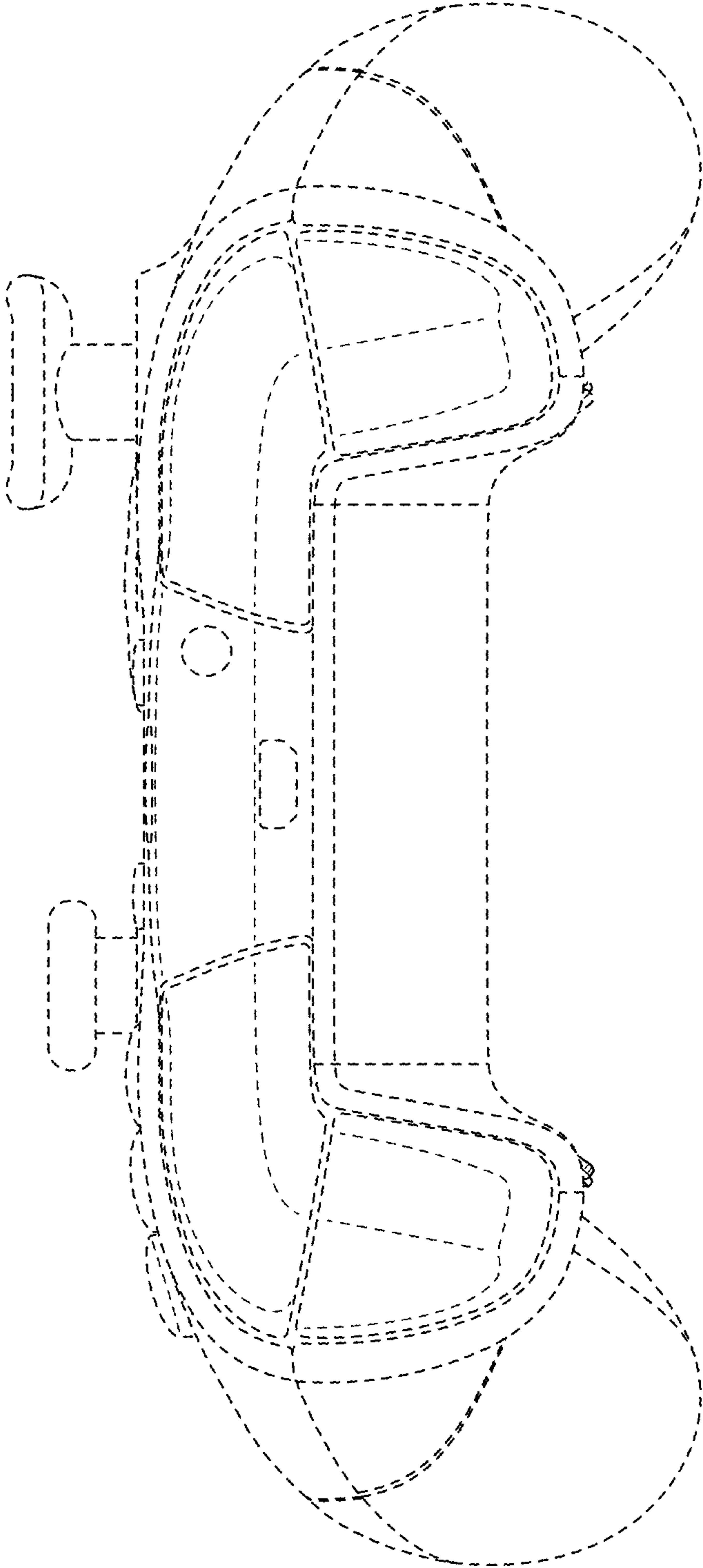


FIG. 11

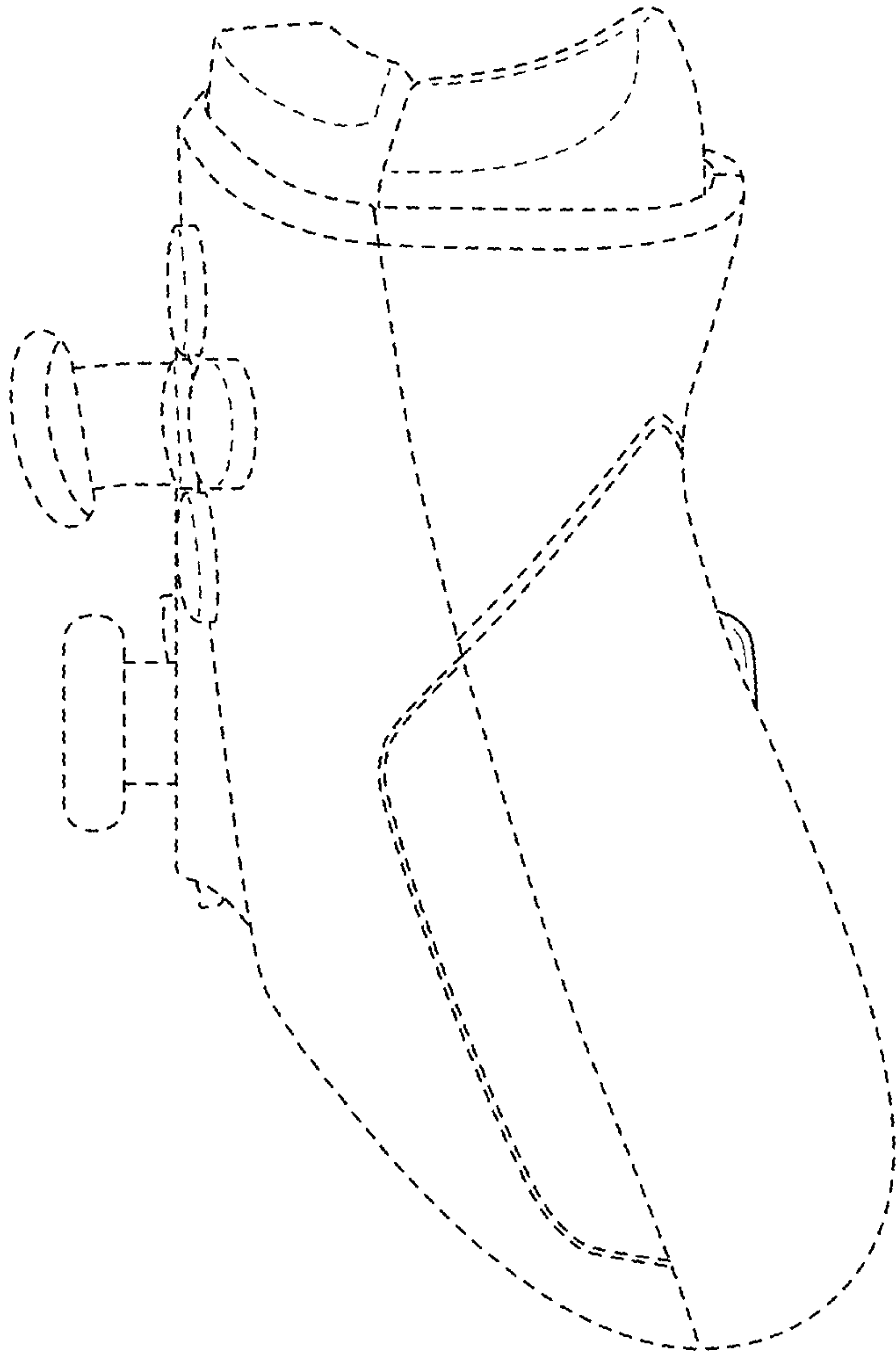


FIG. 12

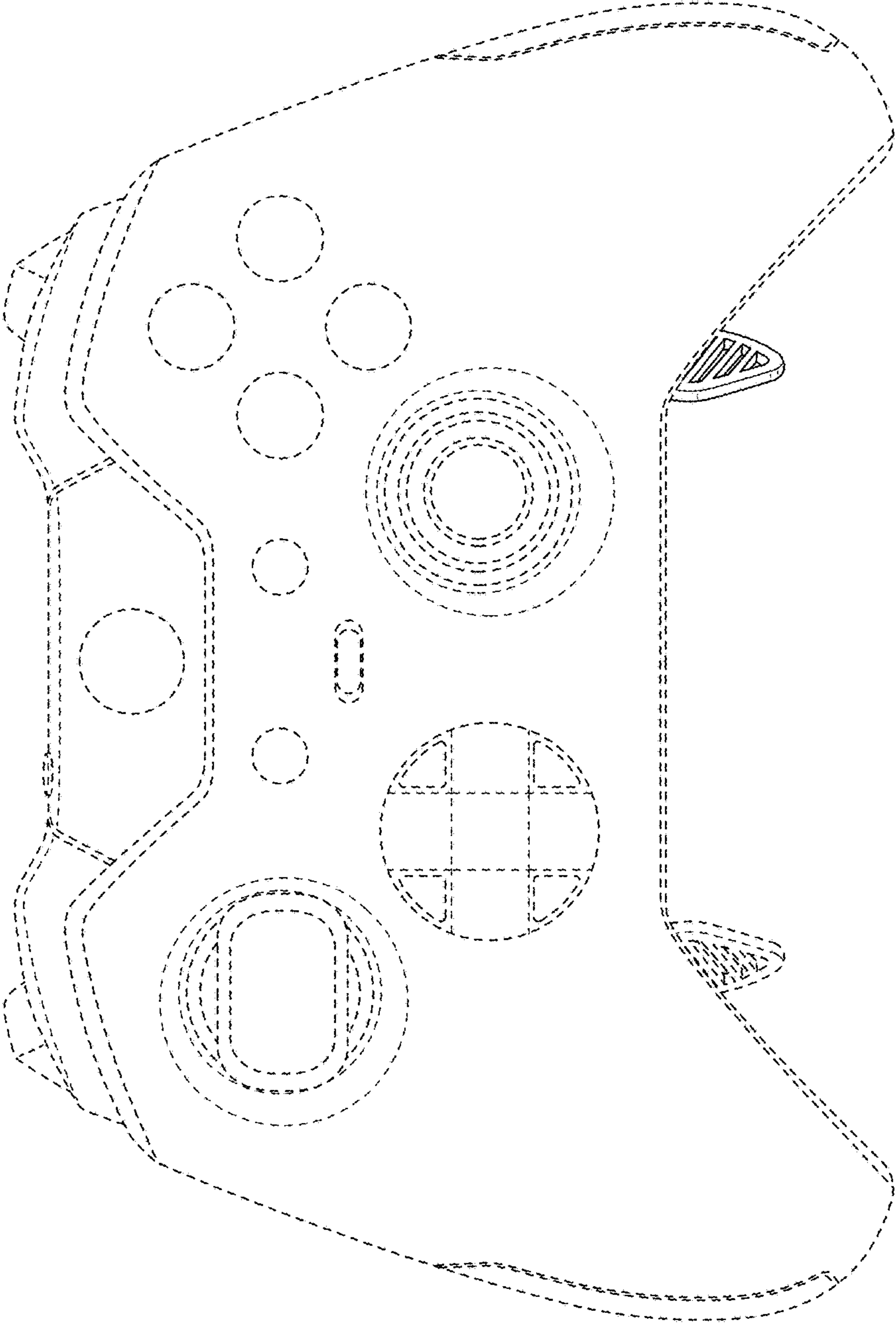


FIG. 13