



US00D794022S

(12) **United States Design Patent** (10) **Patent No.:** **US D794,022 S**
Limaye et al. (45) **Date of Patent:** **** Aug. 8, 2017**

(54) **HEAD-MOUNTED DISPLAY WITH ADJUSTABLE AND SWAPPABLE BATTERY TEMPLES**

(71) Applicant: **ALLOMIND, INC.**, Arcadia, CA (US)

(72) Inventors: **Abhijit Limaye**, San Jose, CA (US);
Stephen Barton, Los Altos, CA (US);
Christopher Kuh, San Francisco, CA (US);
Martin Gschwandtl, San Francisco, CA (US)

(73) Assignee: **ALLOMIND, INC.**, Arcadia, CA (US)

(**) Term: **15 Years**

(21) Appl. No.: **29/569,715**

(22) Filed: **Jun. 29, 2016**

(51) **LOC (10) Cl.** **14-02**

(52) **U.S. Cl.**

USPC **D14/372**

(58) **Field of Classification Search**

USPC D14/372, 496, 432, 371, 125, 126, 129,
D14/299; D16/300–342; 351/158, 153,
351/144; 345/7–9, 905; 455/344;
348/115, 53, 121, 739

CPC G02B 27/017; G02B 27/0158; G02B
27/0161; G02B 27/0181; G02B 27/0185;
G02B 27/0189

See application file for complete search history.

(56) **References Cited**

U.S. PATENT DOCUMENTS

D611,521 S * 3/2010 Lampru D16/314
D688,294 S * 8/2013 Roy D16/309
D712,451 S * 9/2014 Kim D16/300

(Continued)

Primary Examiner — Austin Murphy

(74) *Attorney, Agent, or Firm* — Sheppard, Mullin, Richter & Hampton LLP

(57) **CLAIM**

We claim the ornamental design for a head-mounted display with adjustable and swappable battery temples, as shown and described.

DESCRIPTION

FIG. 1 is a first perspective view of the head-mounted display with adjustable and swappable battery temples embodying the new design.

FIG. 2 is a second perspective view of the head-mounted display with adjustable and swappable battery temples embodying the new design.

FIG. 3 is a frontal view of the head-mounted display with adjustable and swappable battery temples embodying the new design.

FIG. 4 is a rear view of the head-mounted display with adjustable and swappable battery temples embodying the new design.

FIG. 5 is a first side view of the head-mounted display with adjustable and swappable battery temples embodying the new design.

FIG. 6 is a second side view of the head-mounted display with adjustable and swappable battery temples embodying the new design.

FIG. 7 is a top view of the head-mounted display with adjustable and swappable battery temples embodying the new design.

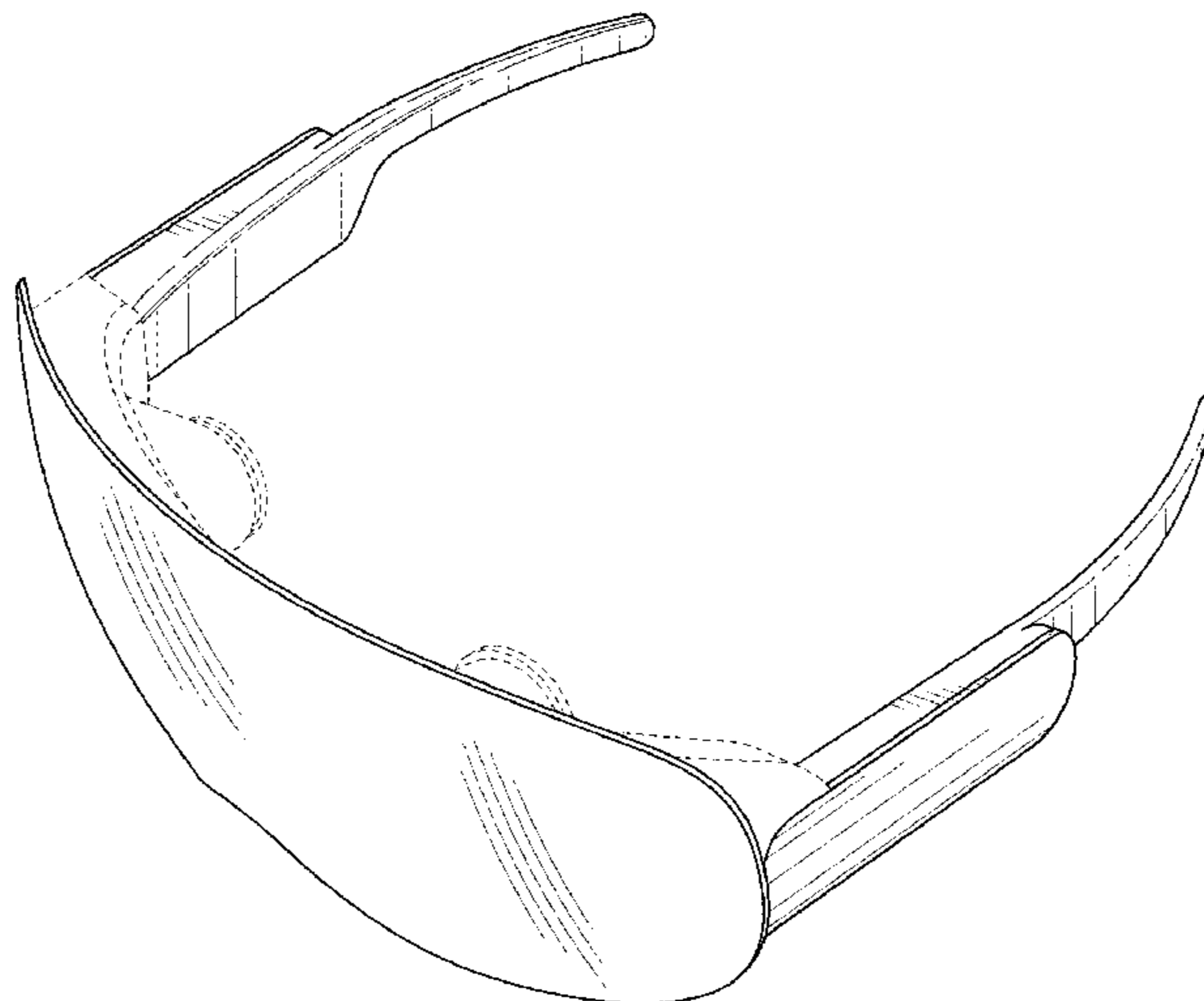
FIG. 8 is a bottom view of the head-mounted display with adjustable and swappable battery temples embodying the new design.

FIG. 9 is an exploded perspective view of the head-mounted display with adjustable and swappable battery temples embodying the new design; and,

FIG. 10 is an exploded side view of the head-mounted display with adjustable and swappable battery temples embodying the new design.

The broken lines are for the purpose of illustrating portions of the article that form no part of the claimed design.

1 Claim, 8 Drawing Sheets



(56)

References Cited

U.S. PATENT DOCUMENTS

D727,317 S *	4/2015	Olsson	D14/372
D738,373 S *	9/2015	Davies	D14/372
9,134,548 B1 *	9/2015	Olsson	G02C 9/00
D741,941 S *	10/2015	Armstrong	D16/300
D746,817 S *	1/2016	Olsson	D14/372
D749,581 S *	2/2016	Olsson	D14/372
D751,552 S *	3/2016	Osterhout	D14/372
D765,075 S *	8/2016	Rochat	D14/372
D765,076 S *	8/2016	Rochat	D14/372
D766,895 S *	9/2016	Choi	D14/372

* cited by examiner

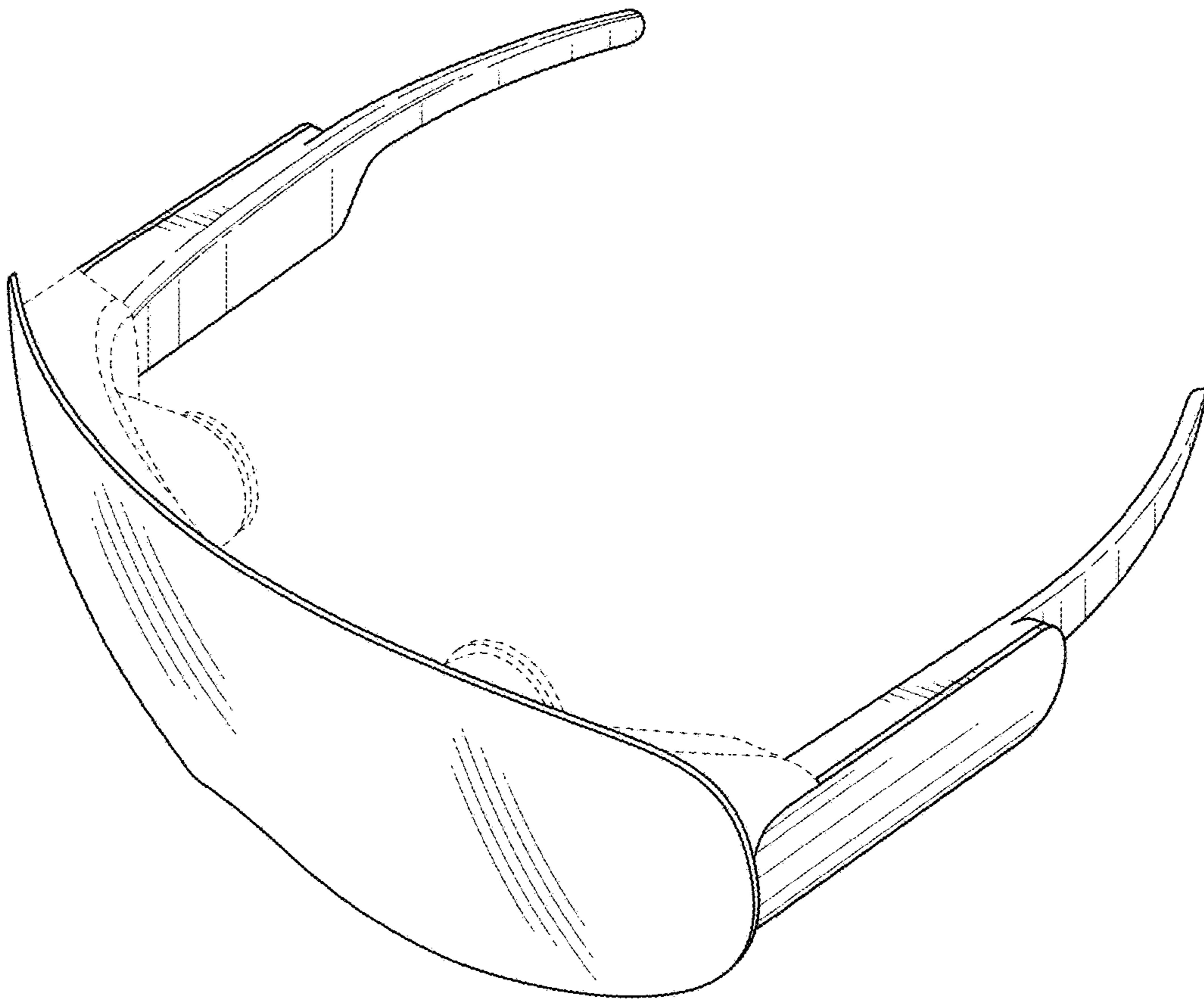


FIG. 1

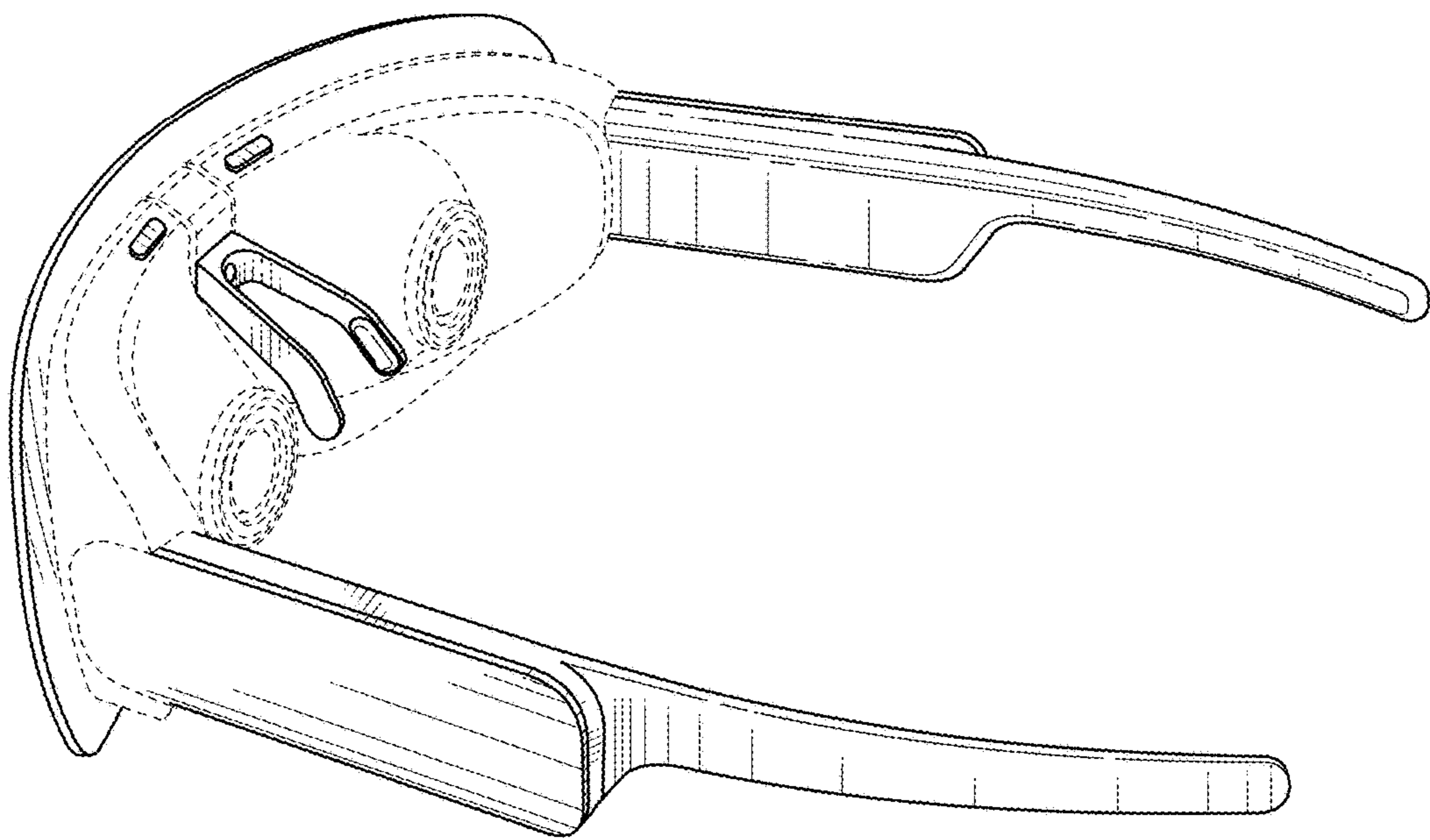


FIG. 2

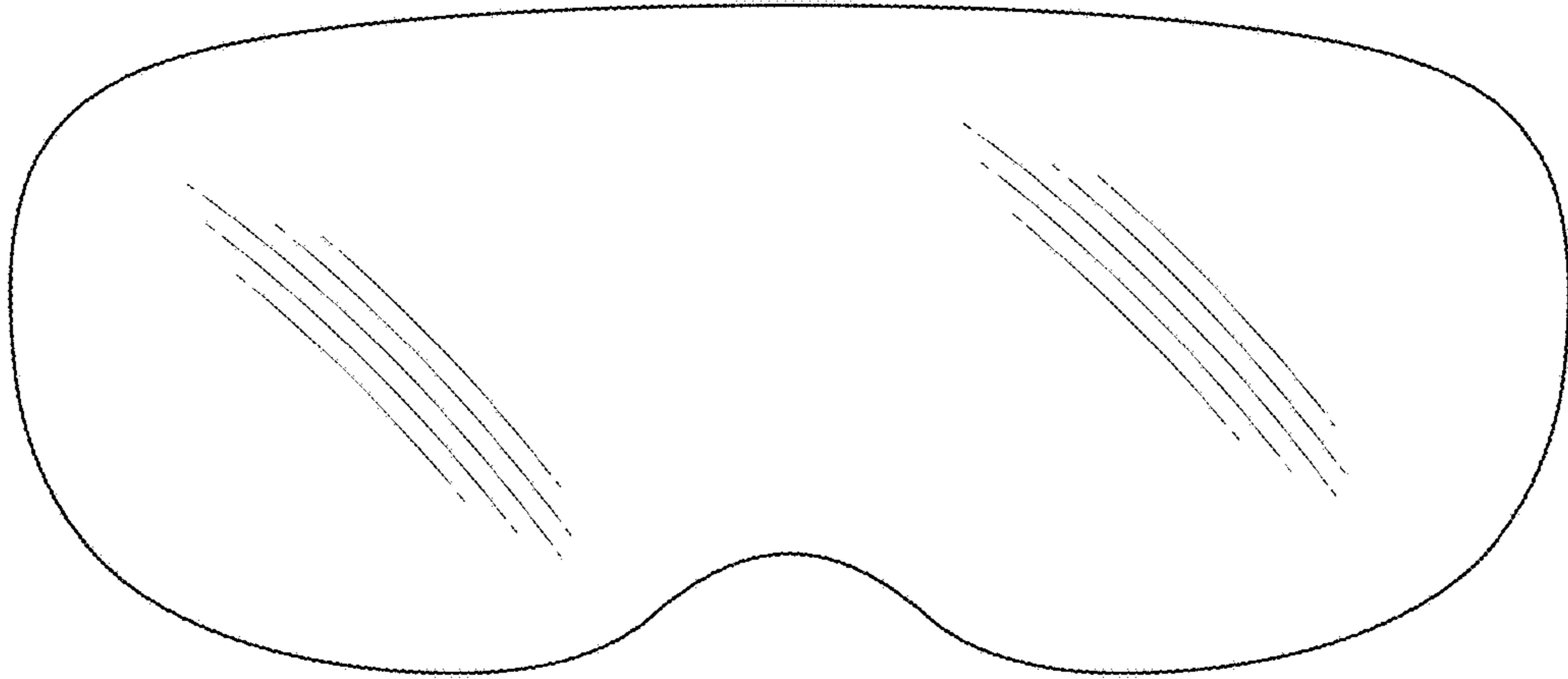


FIG. 3

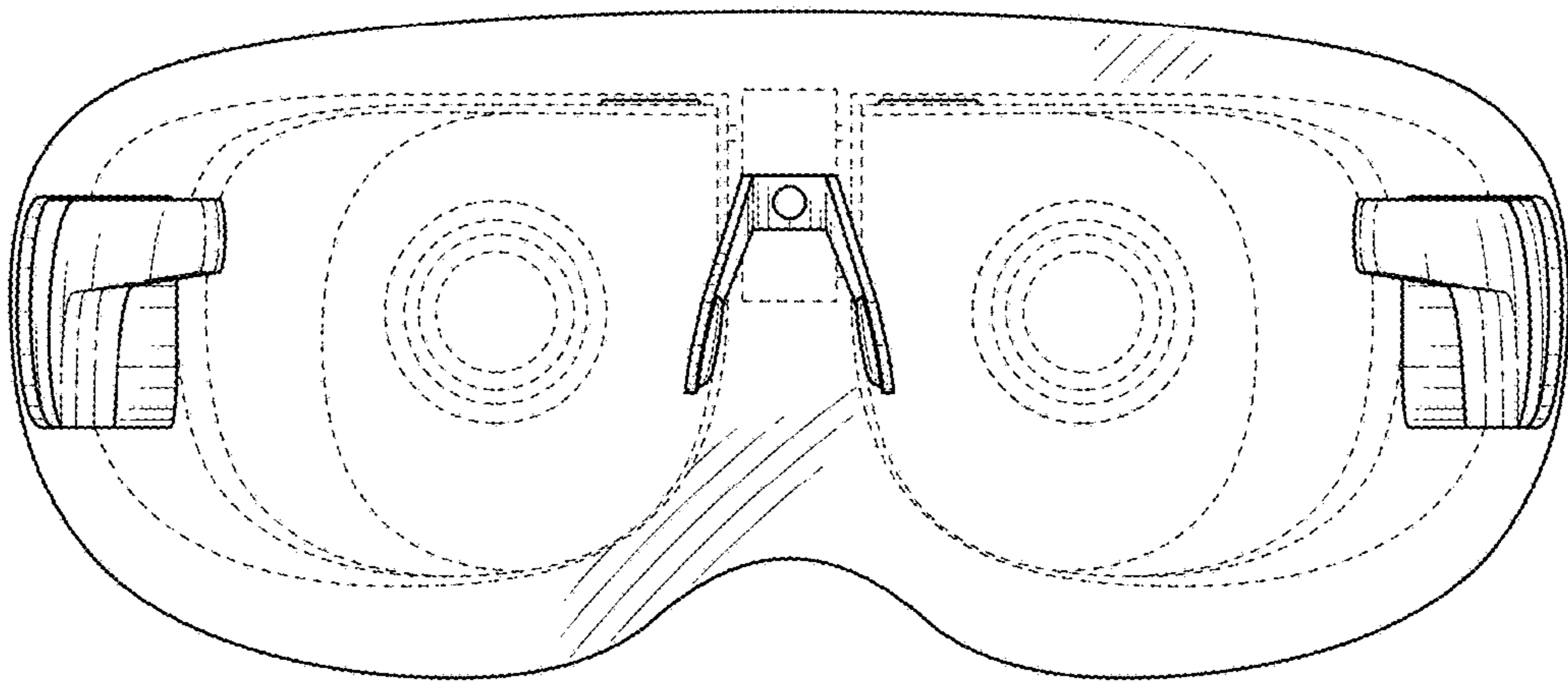


FIG. 4

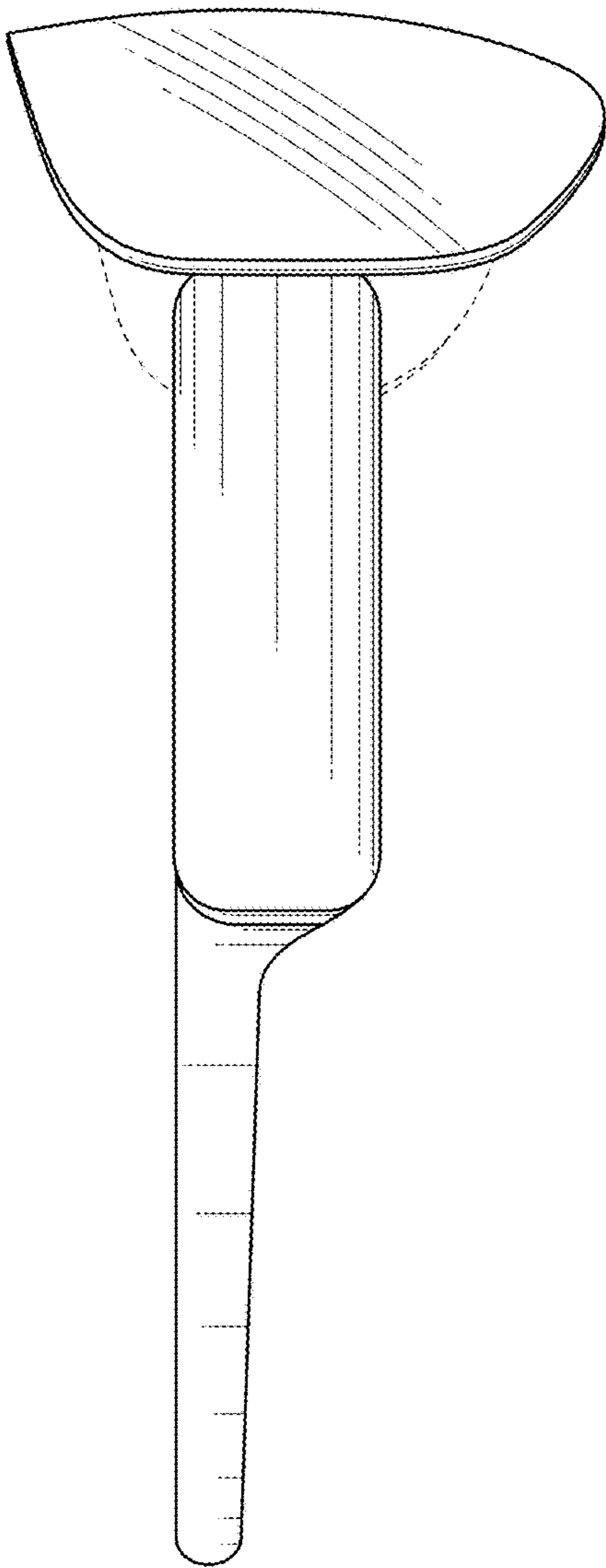


FIG. 5



FIG. 6

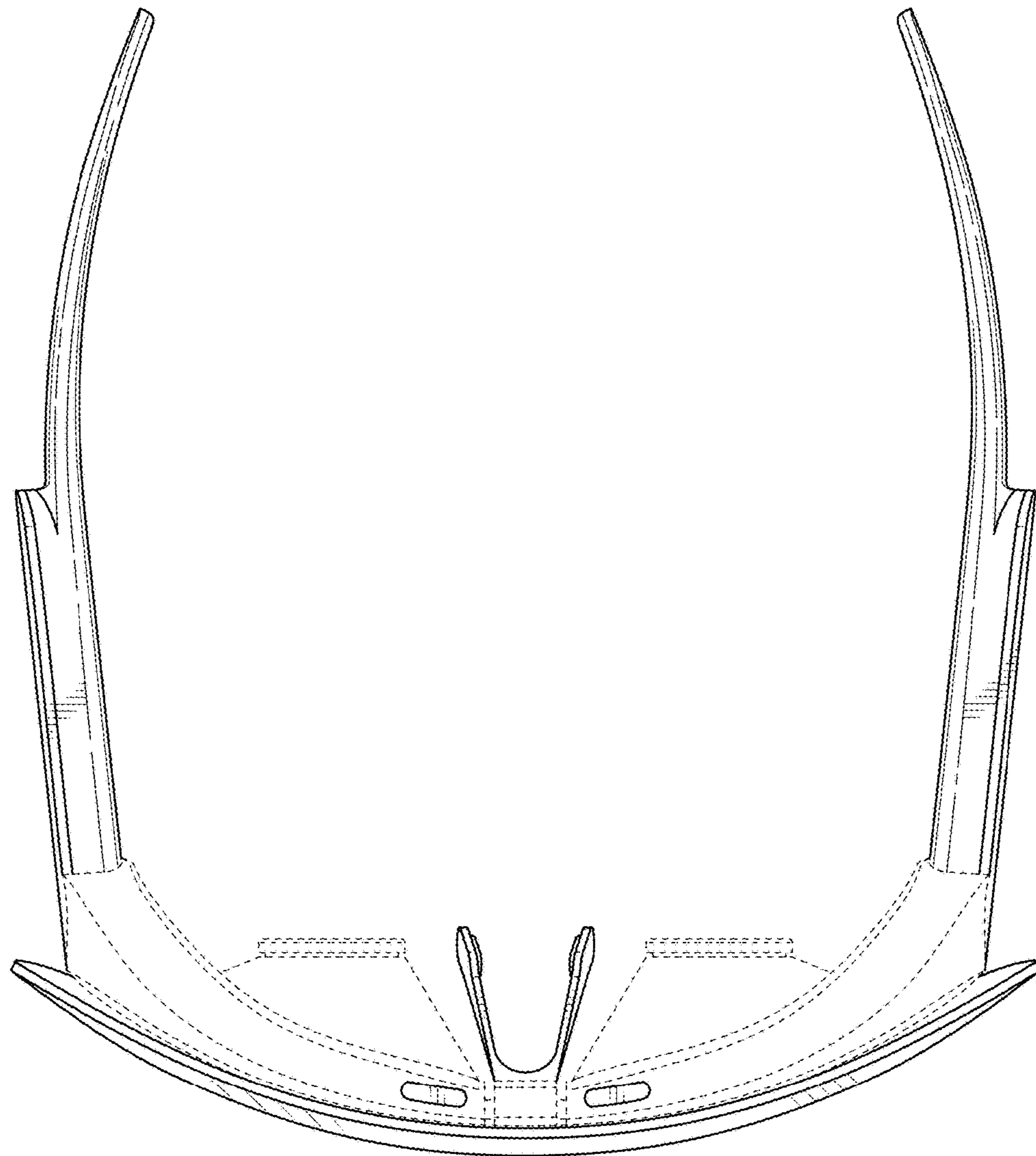


FIG. 7

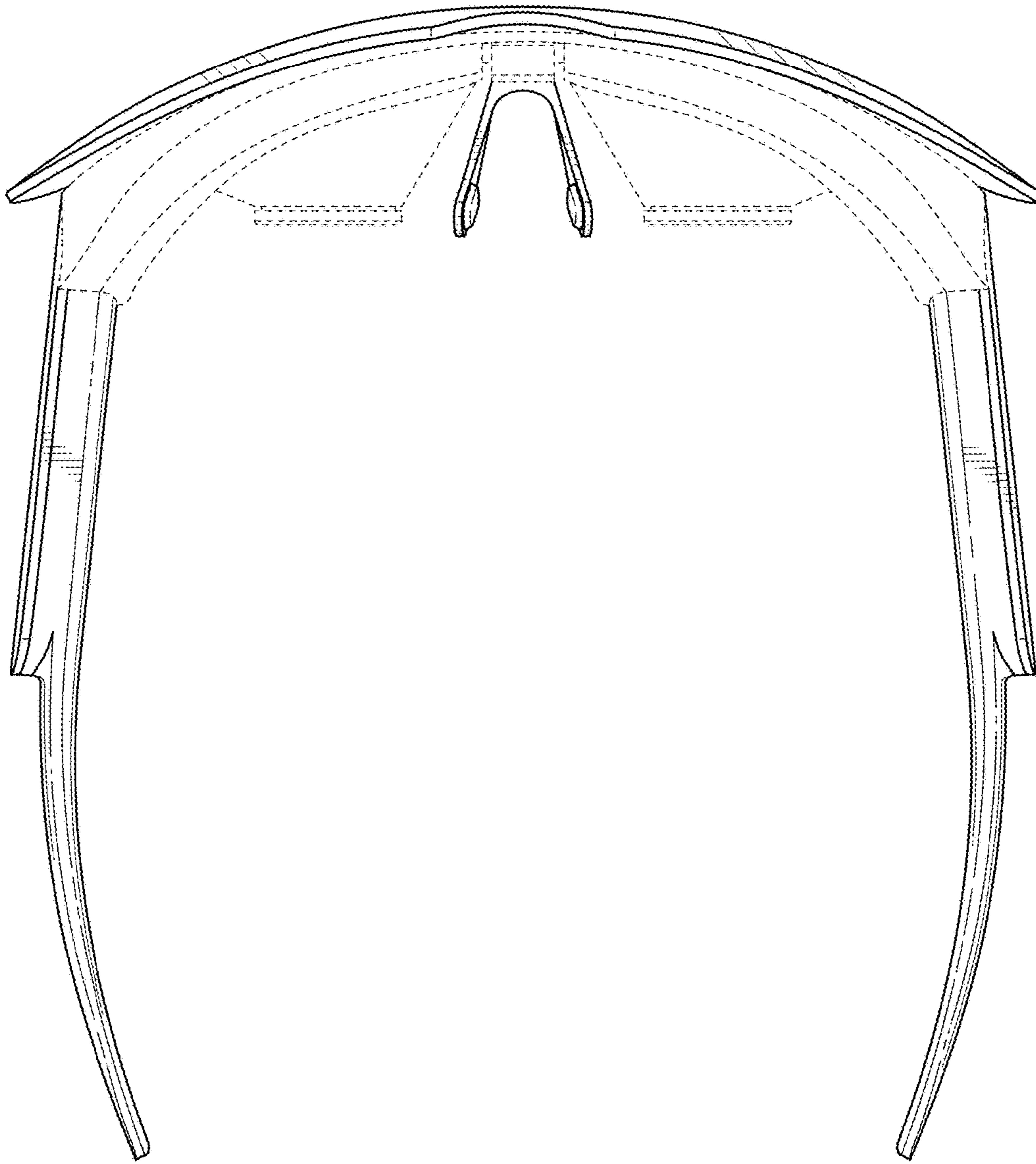


FIG. 8

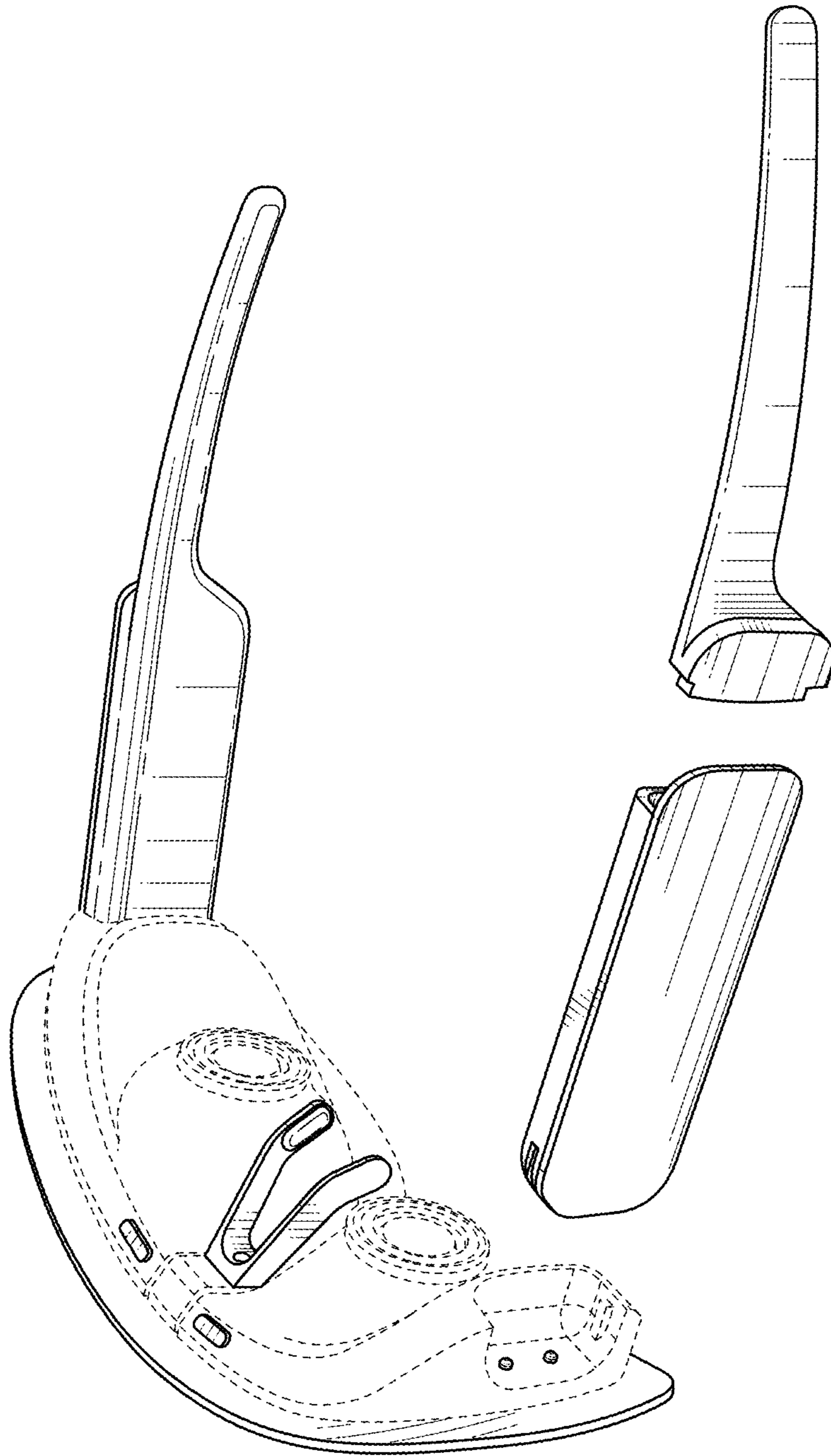


FIG. 9

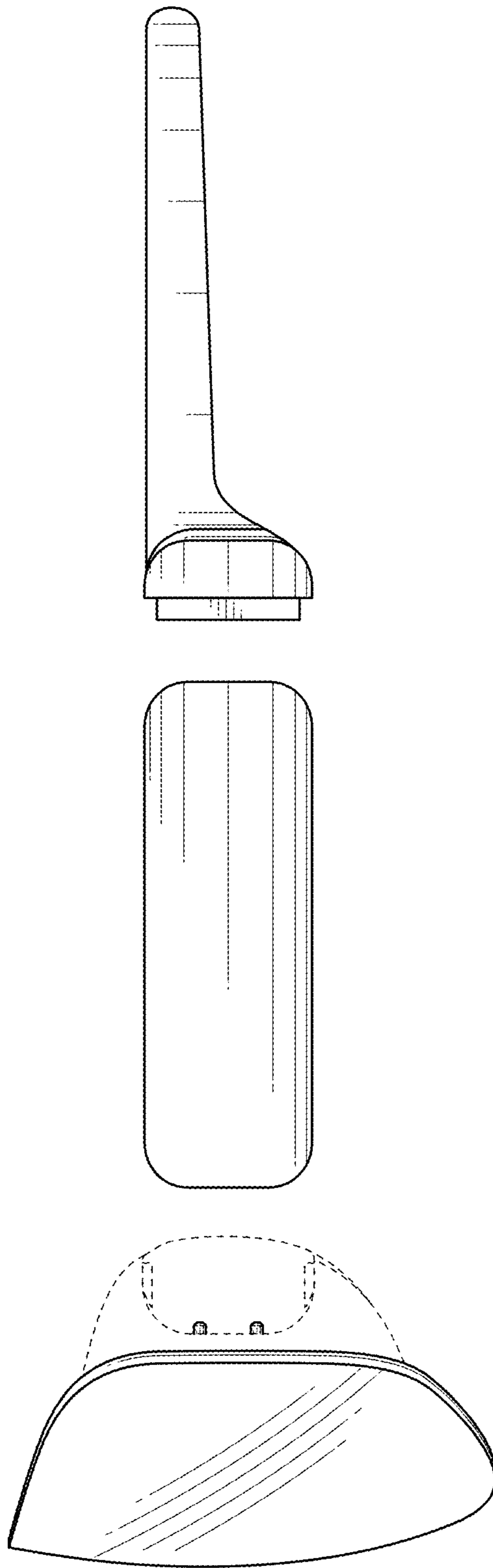


FIG. 10