



US00D794021S

(12) **United States Design Patent** (10) **Patent No.:** **US D794,021 S**
Rhodes et al. (45) **Date of Patent:** **** Aug. 8, 2017**

(54) **DISPLAY DEVICE**

(71) Applicant: **SnapBev, Inc.**, Brooklyn, NY (US)

(72) Inventors: **James Rhodes**, Carmel, NY (US);
Joseph W. Leary, Carmel, NY (US);
William Rhodes, Brooklyn, NY (US)

(73) Assignee: **SnapBev, Inc.**, Brooklyn, NY (US)

(**) Term: **15 Years**

(21) Appl. No.: **29/564,159**

(22) Filed: **May 11, 2016**

(51) **LOC (10) Cl.** **14-02**

(52) **U.S. Cl.**
USPC **D14/371; D14/341**

(58) **Field of Classification Search**
USPC D14/315-327, 341, 336, 337, 126-129,
D14/371; D18/1, 2, 7, 11; 235/145 A,
(Continued)

(56) **References Cited**

U.S. PATENT DOCUMENTS

D323,155 S * 1/1992 Hino D14/339
D350,373 S * 9/1994 Chow D14/314
(Continued)

Primary Examiner — Freda S Nunn

(74) *Attorney, Agent, or Firm* — Fitzpatrick, Cella,
Harper & Scinto

(57) **CLAIM**

The ornamental design for a display device, as shown and described.

DESCRIPTION

FIG. 1 is a front perspective view of the display device in a vertical orientation.

FIG. 2 is another front perspective view of the display device shown in FIG. 1.

FIG. 3 is a rear perspective view of the display device shown in FIG. 1.

FIG. 4 is a front view of the display device shown in FIG. 1.

FIG. 5 is a rear view of the display device shown in FIG. 1.

FIG. 6 is a left side view of the display device shown in FIG. 1.

FIG. 7 is a right side view of the display device shown in FIG. 1.

FIG. 8 is a top view of the display device shown in FIG. 1.

FIG. 9 is a bottom view of the display device shown in FIG. 1.

FIG. 10 is a front perspective view of the display device in a horizontal orientation.

FIG. 11 is another front perspective view of the display device shown in FIG. 10.

FIG. 12 is a rear perspective view of the display device shown in FIG. 10.

FIG. 13 is a front view of the display device shown in FIG. 10.

FIG. 14 is a rear view of the display device shown in FIG. 10.

FIG. 15 is a left side view of the display device shown in FIG. 10.

FIG. 16 is a right side view of the display device shown in FIG. 10.

FIG. 17 is a top view of the display device shown in FIG. 10.

FIG. 18 is a bottom view of the display device shown in FIG. 10.

FIG. 19 is a perspective view of the circular element of the display device shown separately for ease of illustration only;

FIG. 20 is another perspective view of the circular element shown in FIG. 19;

FIG. 21 is a front view of the circular element shown in FIG. 19;

FIG. 22 is a rear view of the circular element shown in FIG. 19;

FIG. 23 is a left side view of the circular element shown in FIG. 19;

FIG. 24 is a right side view of the circular element shown in FIG. 19;

FIG. 25 is a top view of the circular element shown in FIG. 19; and,

(Continued)

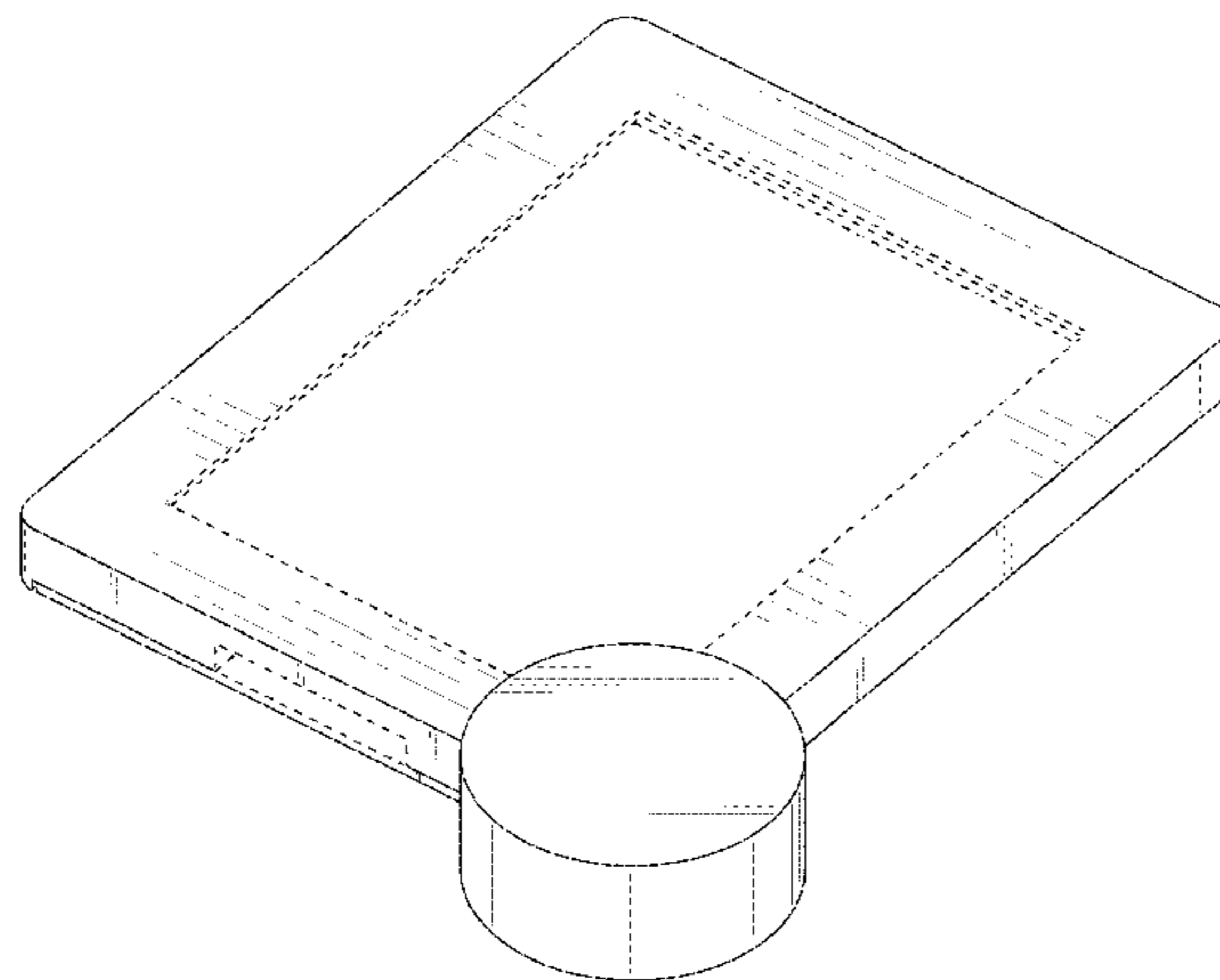


FIG. 26 is a bottom view of the circular element shown in FIG. 19.

The dashed broken lines shown in the drawings illustrate the portions of the design that form no part of the claim.

17/94; G09G 5/00; F16M 11/10; F16M 11/00; F16M 11/02; H05K 5/00; H04M 1/0237

See application file for complete search history.

1 Claim, 20 Drawing Sheets

(56)

References Cited

U.S. PATENT DOCUMENTS

(58) **Field of Classification Search**

USPC 235/145 R; 341/22, 23; 345/104, 156, 345/168, 169, 173; 361/679.08, 679.09, 361/679.11, 679.26, 679.27
CPC G06F 1/16; G06F 1/1616; G06F 1/1626; G06F 1/1632; G06F 1/1613; G06F 1/1601; G06F 1/1618; G06F 1/162; G06F 1/166; G06F 1/1654; G06F 1/1681; G06F 1/1637; G06F 1/1688; G06F 3/037; H01R 35/02; H03M 11/00; G09B 13/04; H03K

D382,253 S * 8/1997 Claxton D14/339
D406,572 S * 3/1999 Daniel D14/346
D436,951 S * 1/2001 Andresen D14/336
D497,362 S * 10/2004 Wang D14/371
D572,675 S * 7/2008 Qiu D14/126
D636,391 S * 4/2011 Shen D14/341
D676,043 S * 2/2013 Hirose D14/341
D700,084 S * 2/2014 Hsu D10/70
D707,211 S * 6/2014 Ho D14/240

* cited by examiner

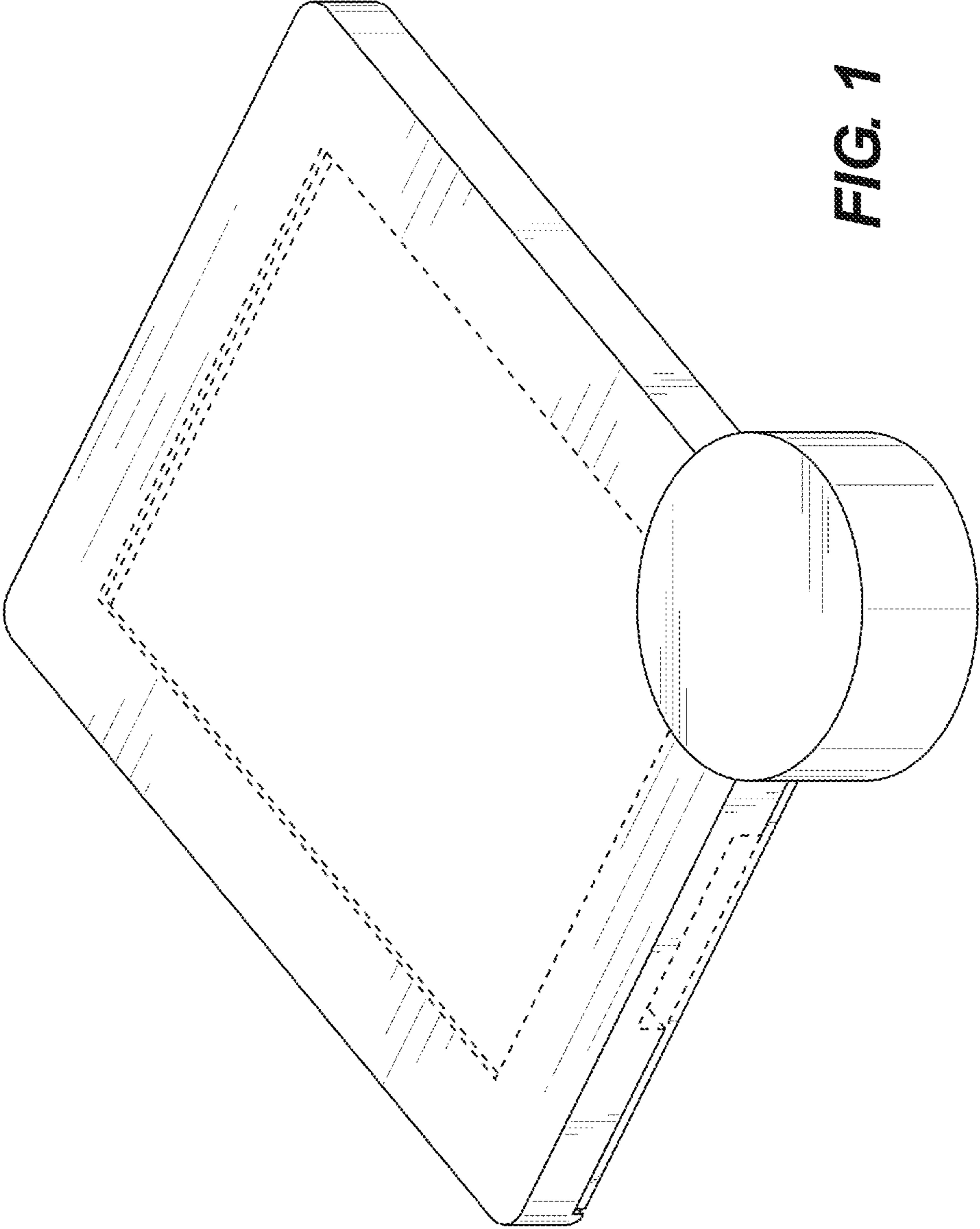


FIG. 1

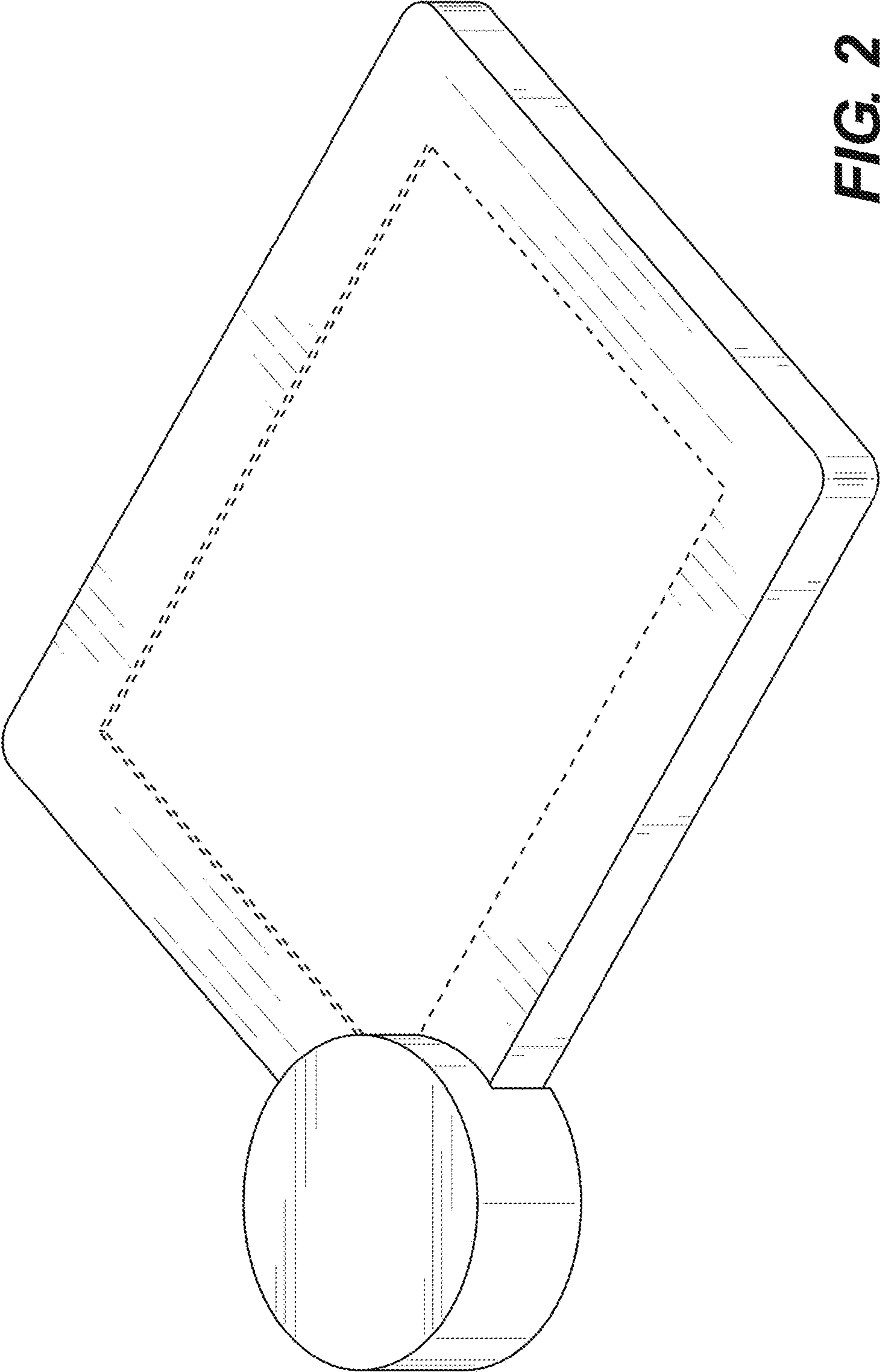


FIG. 2

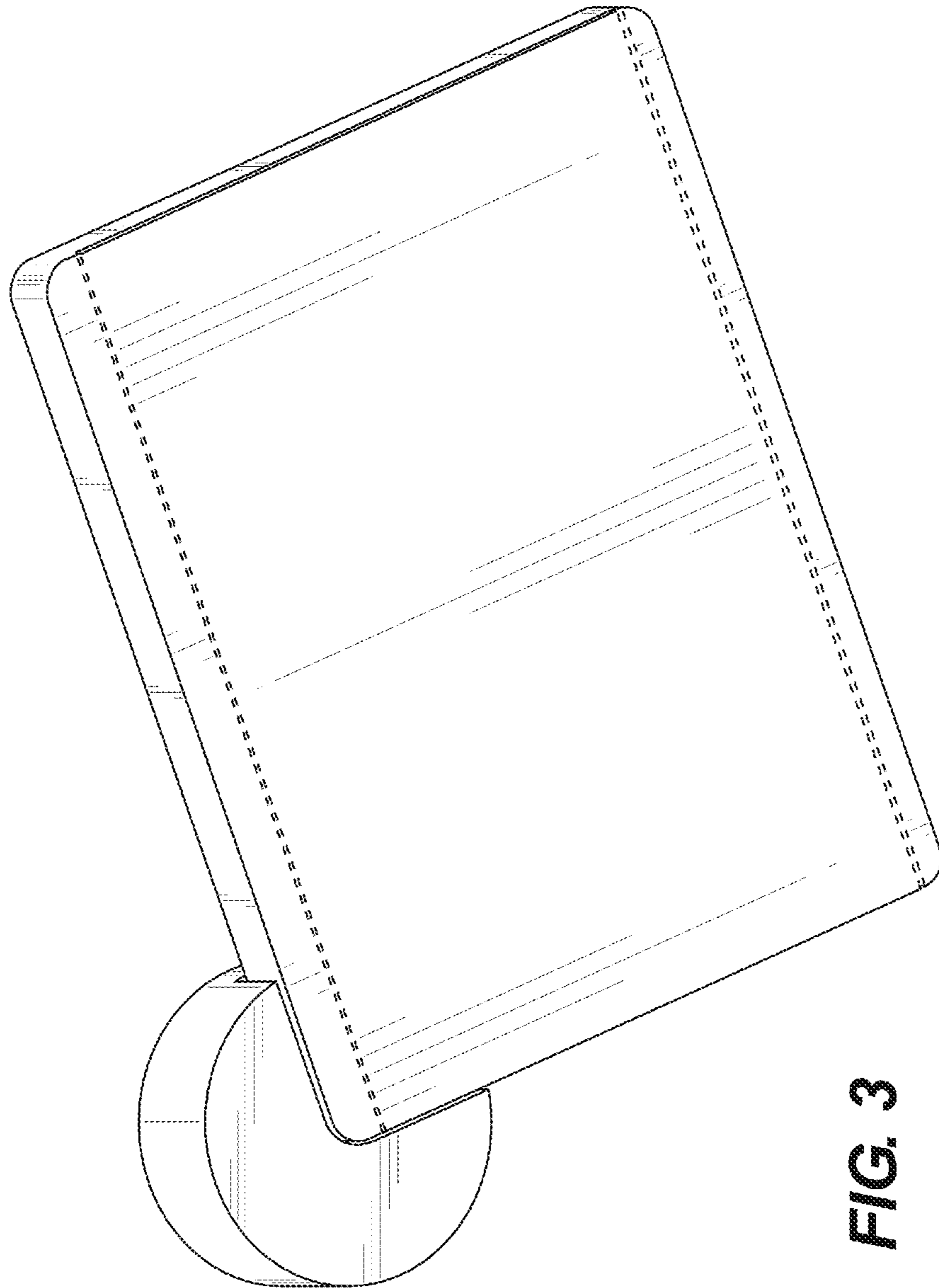


FIG. 3

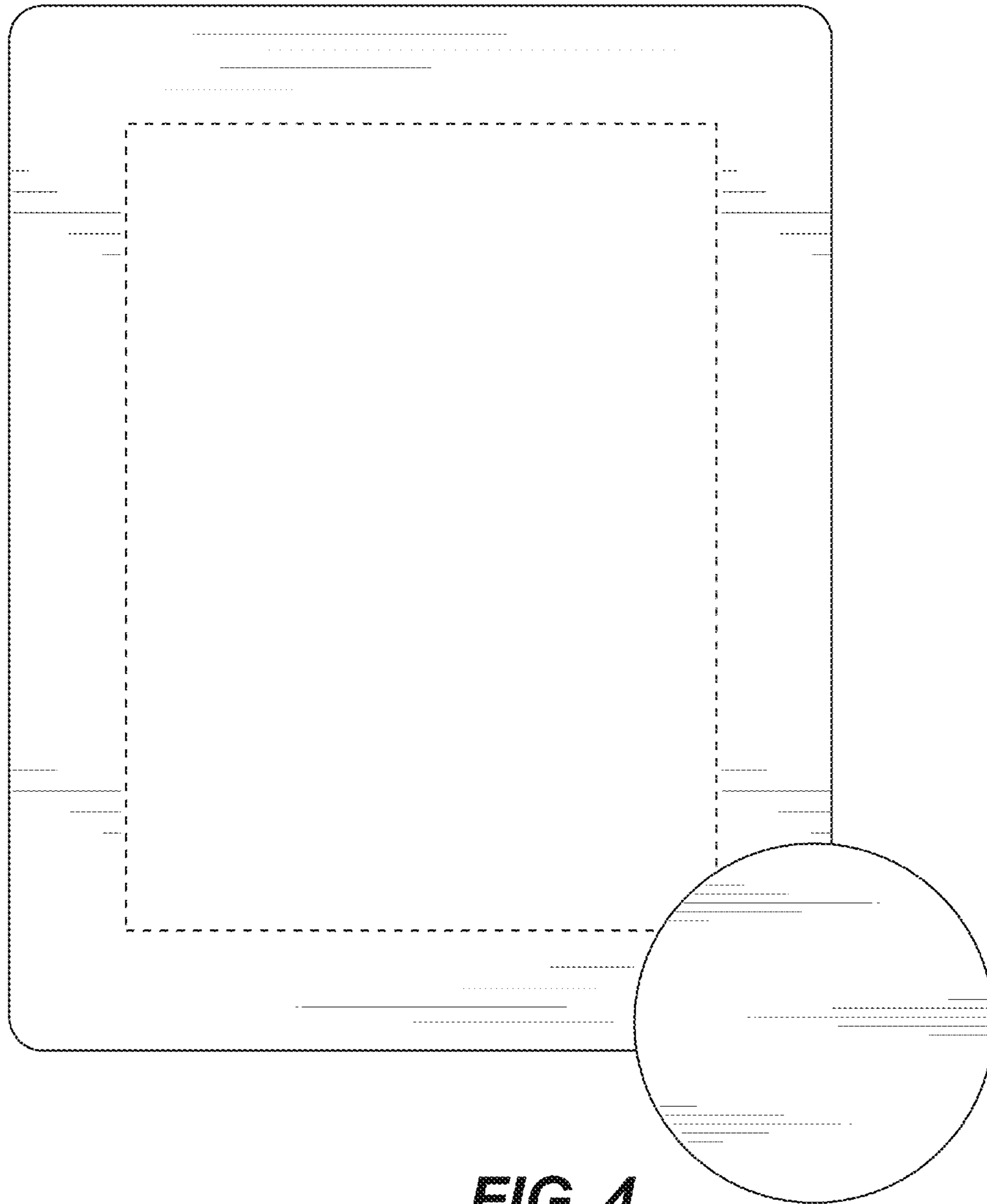
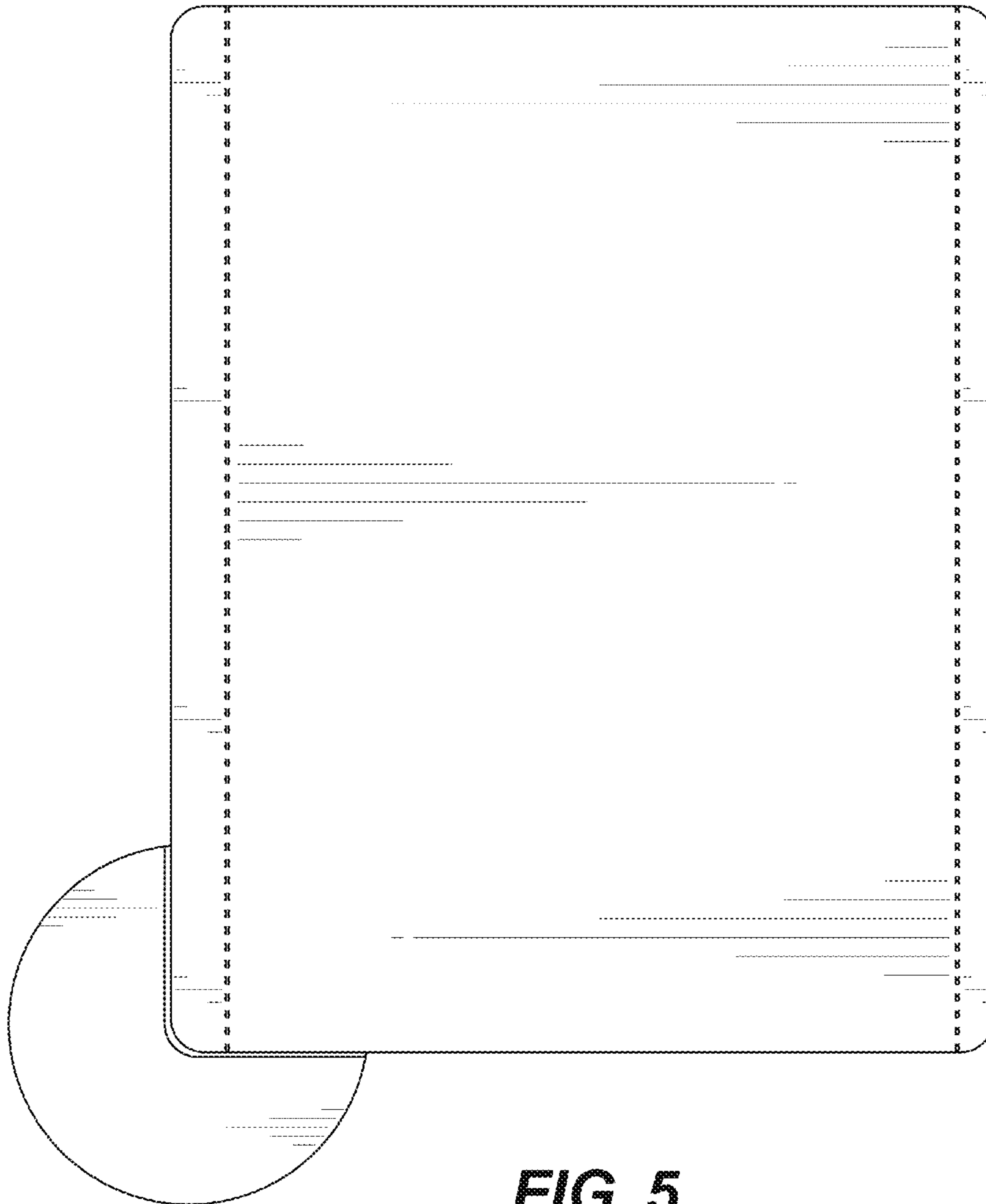


FIG. 4



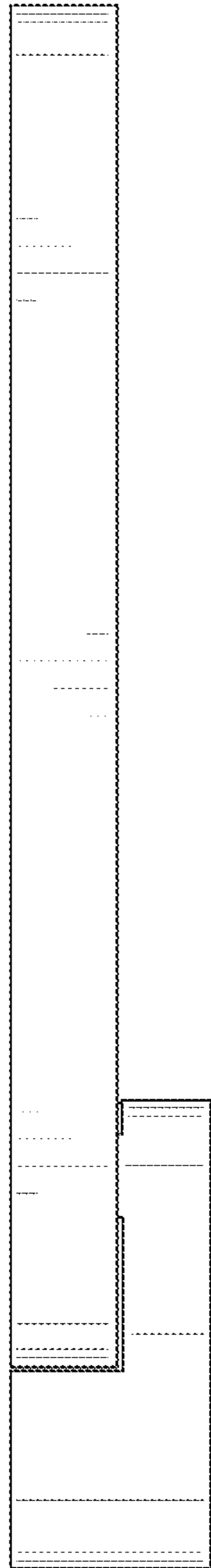


FIG. 6

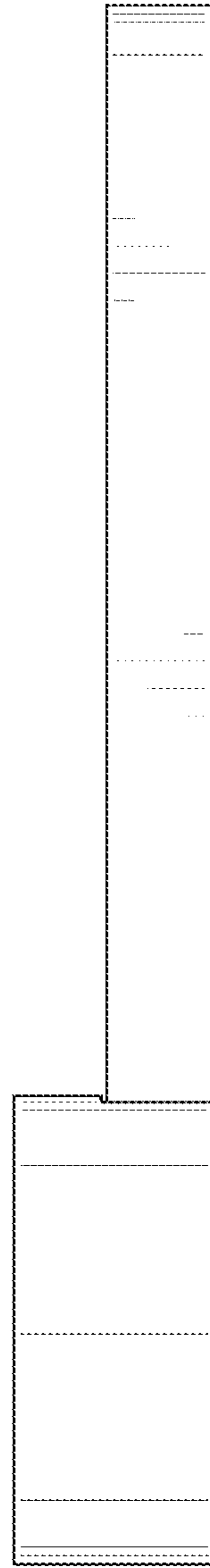


FIG. 7

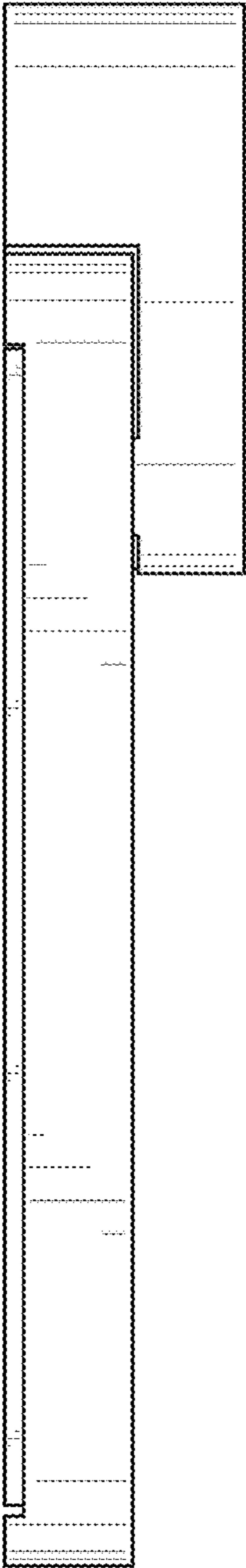


FIG. 8

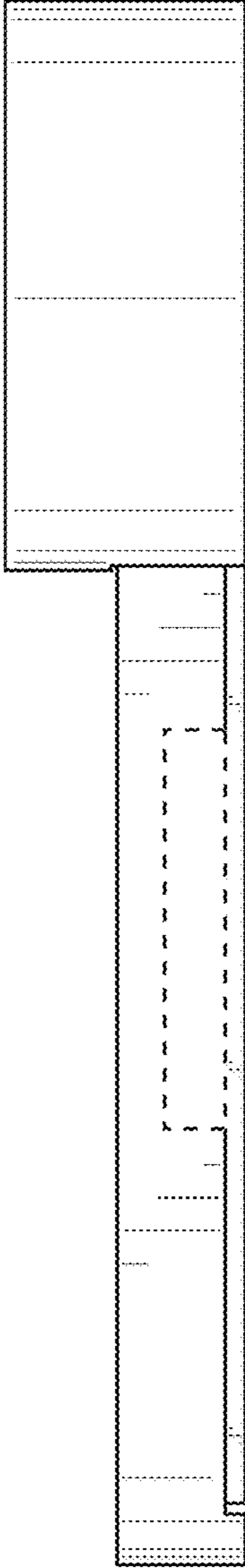


FIG. 9

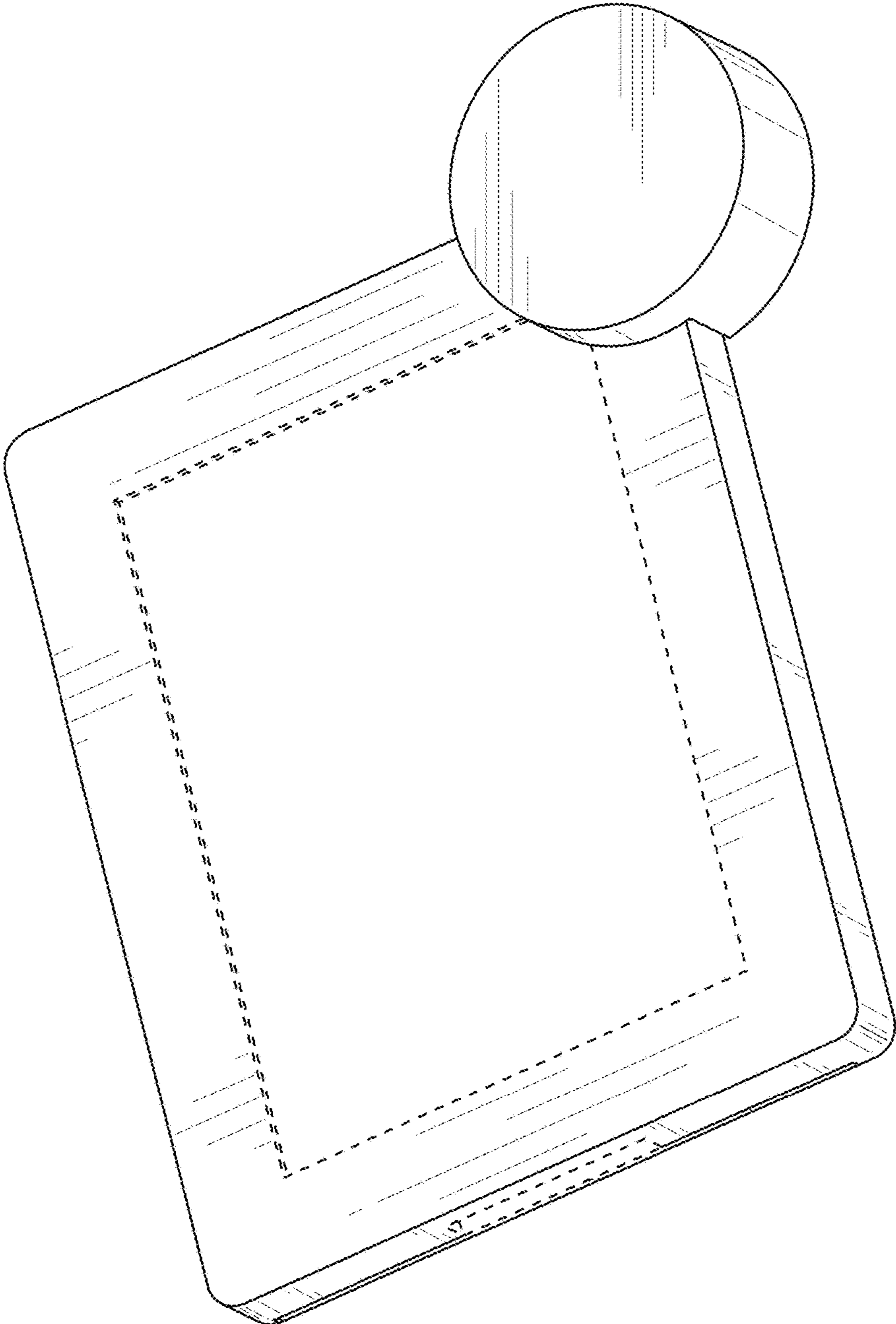


FIG. 10

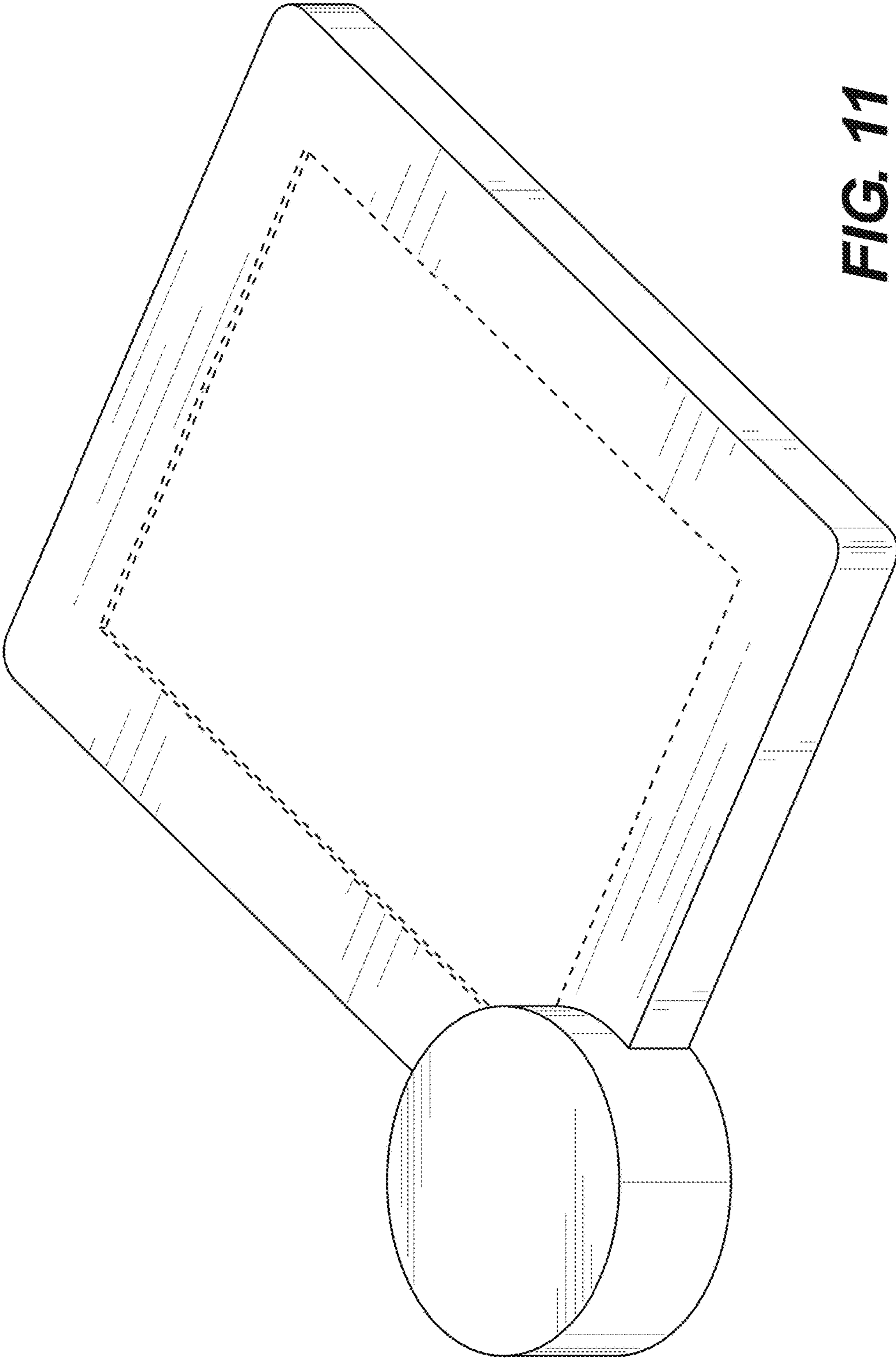


FIG. 11

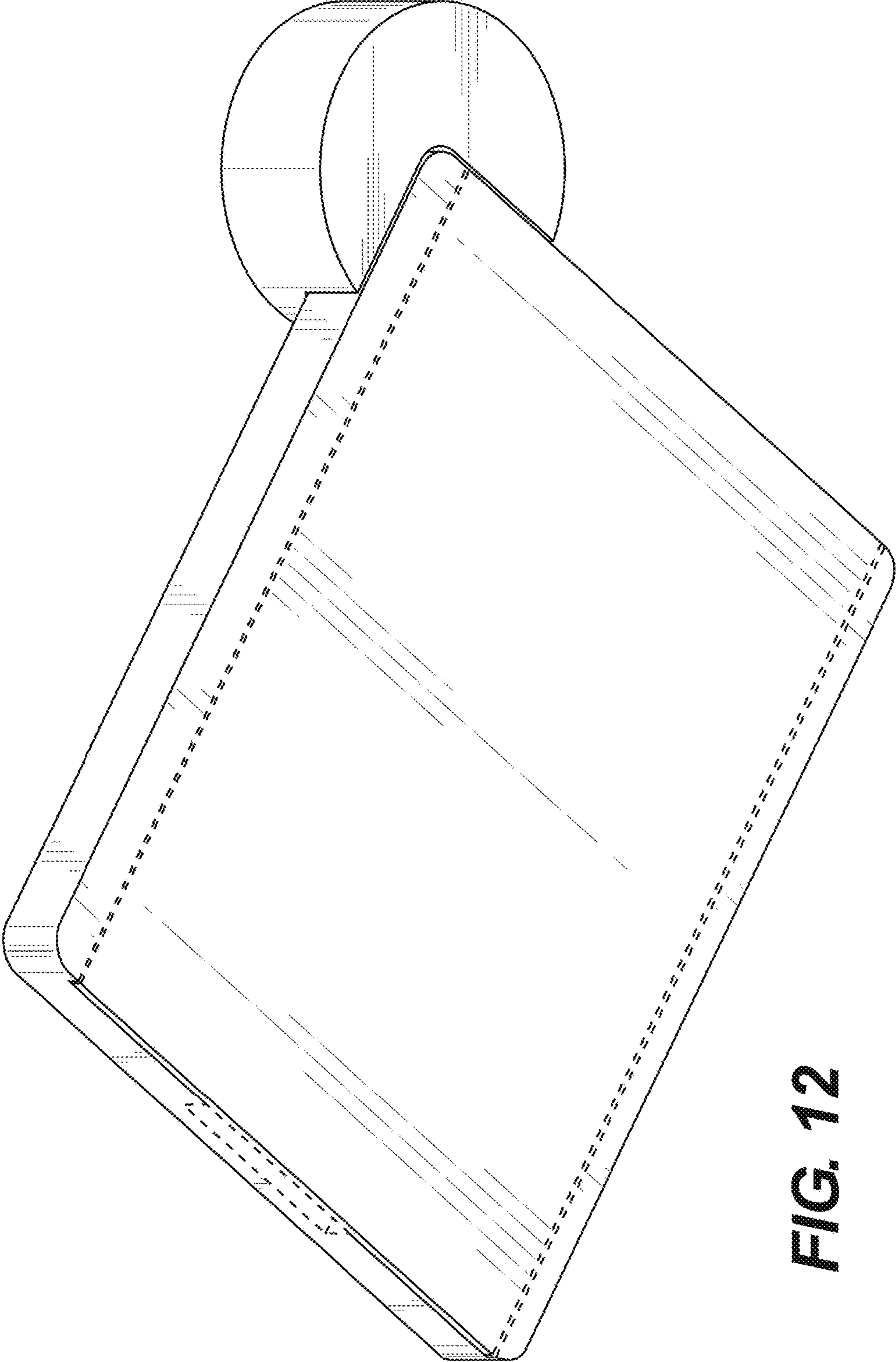


FIG. 12

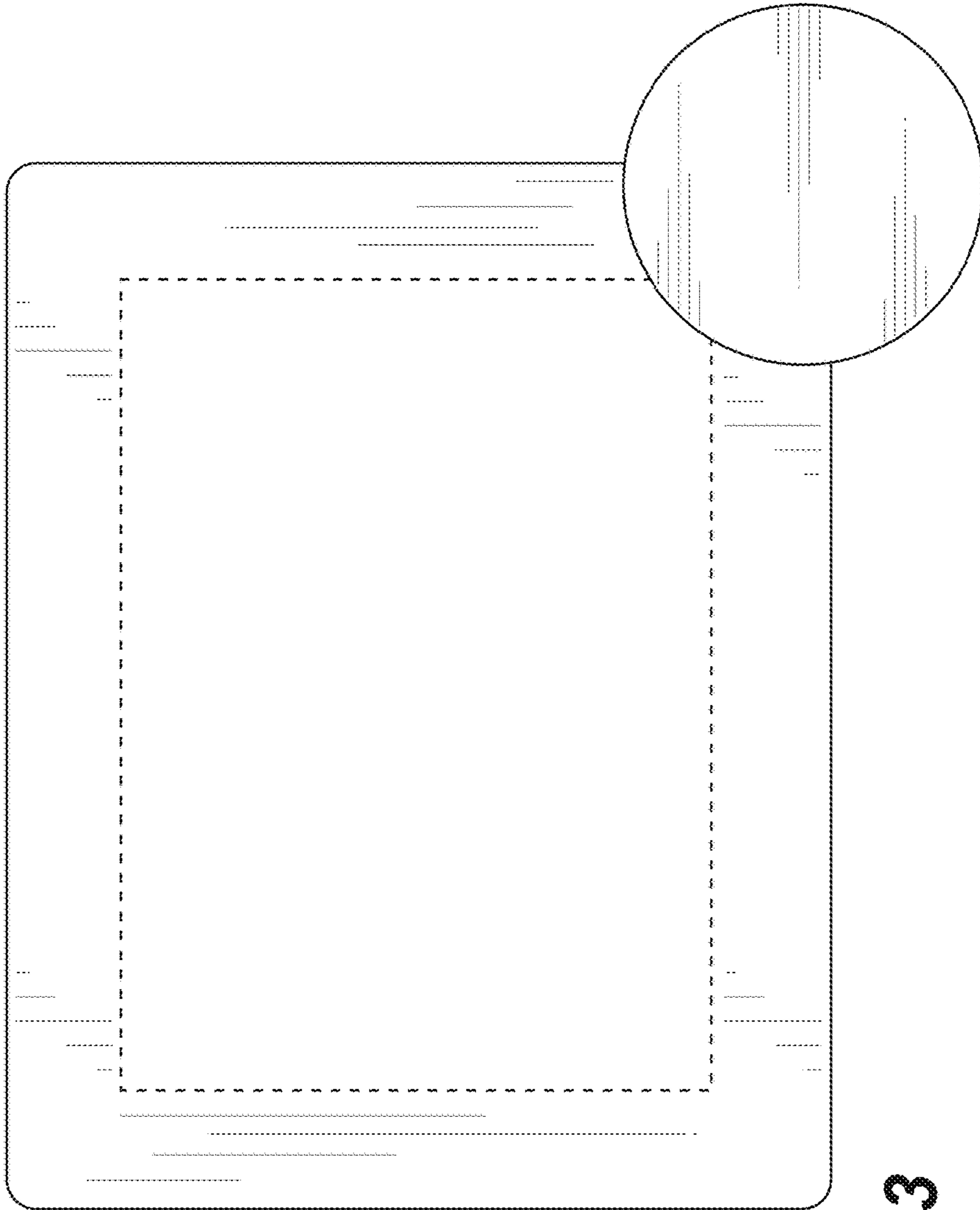


FIG. 13

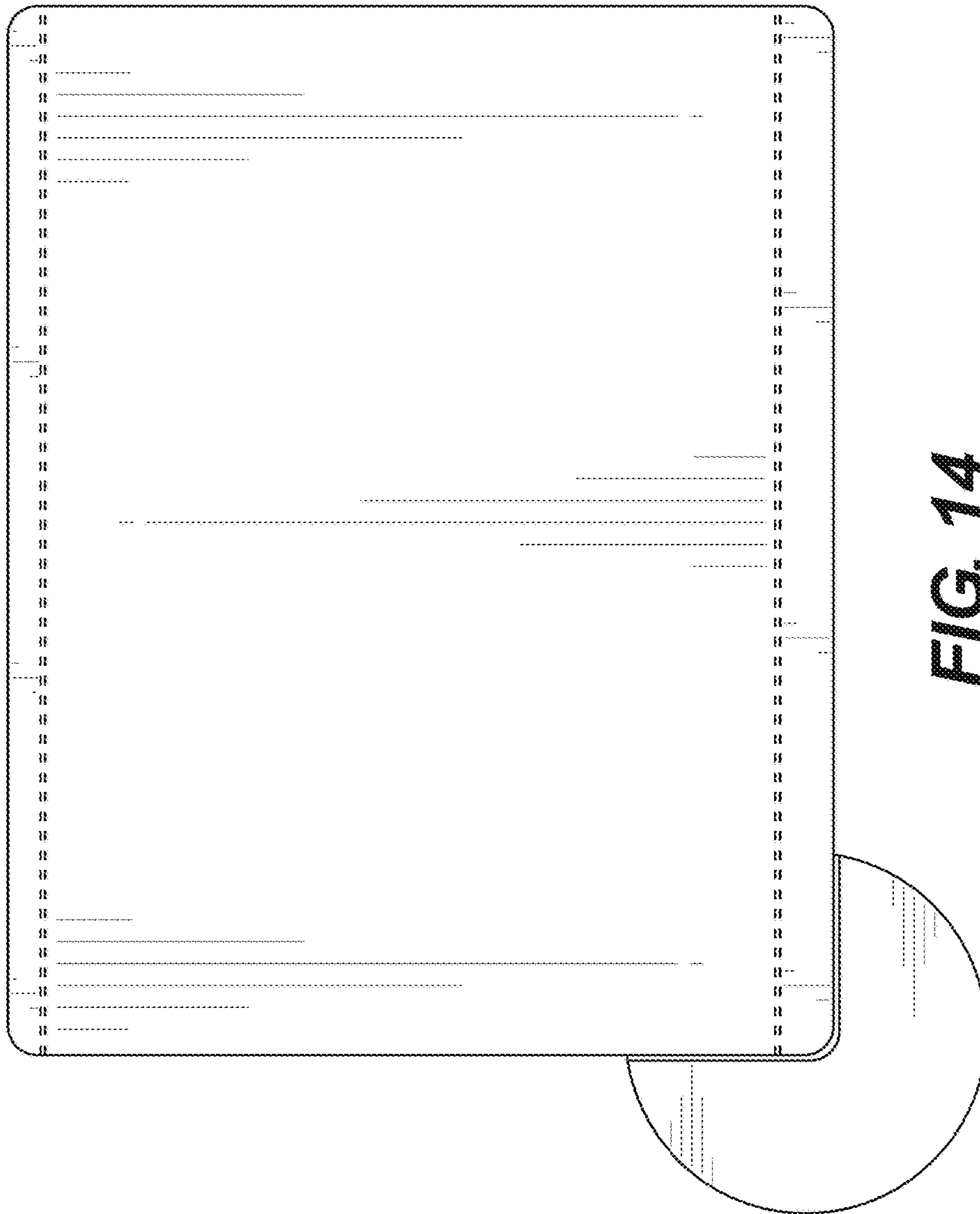


FIG. 14

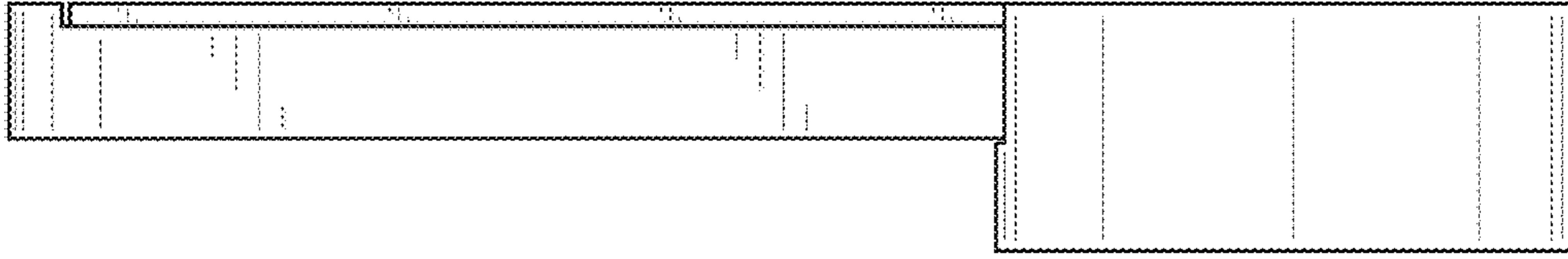


FIG. 16

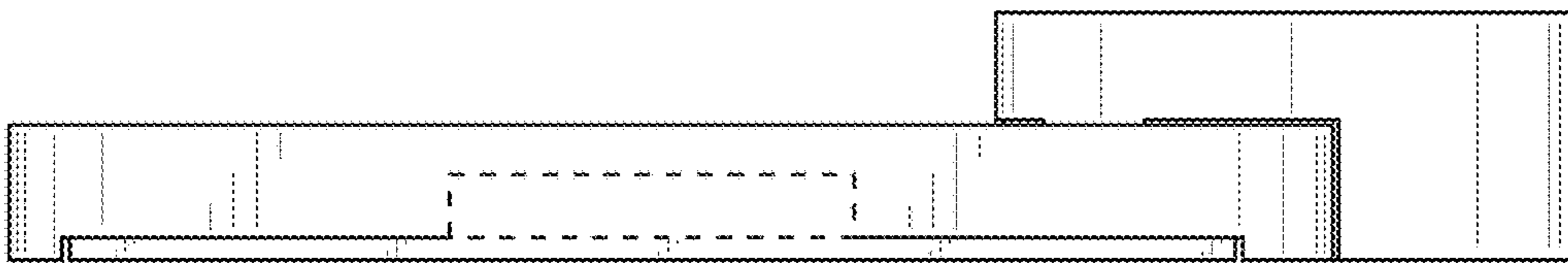


FIG. 15

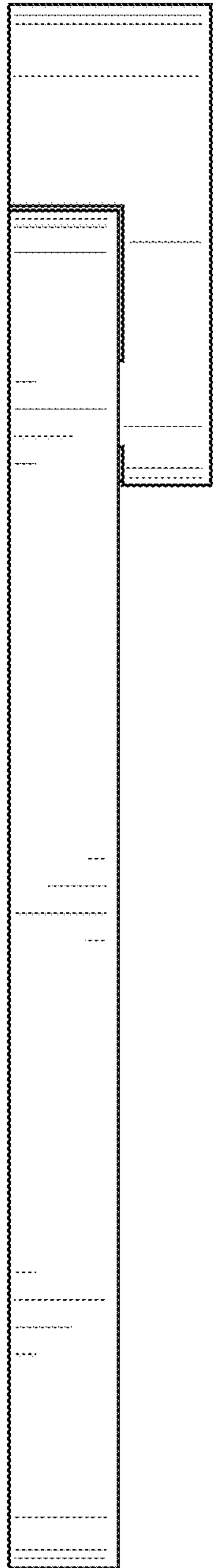


FIG. 17

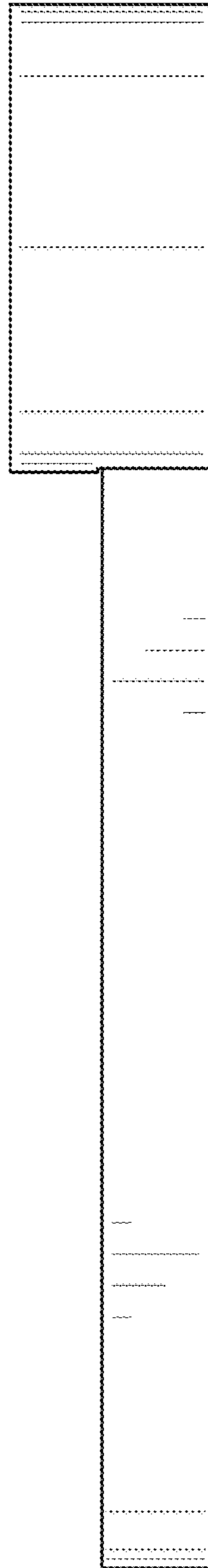


FIG. 18

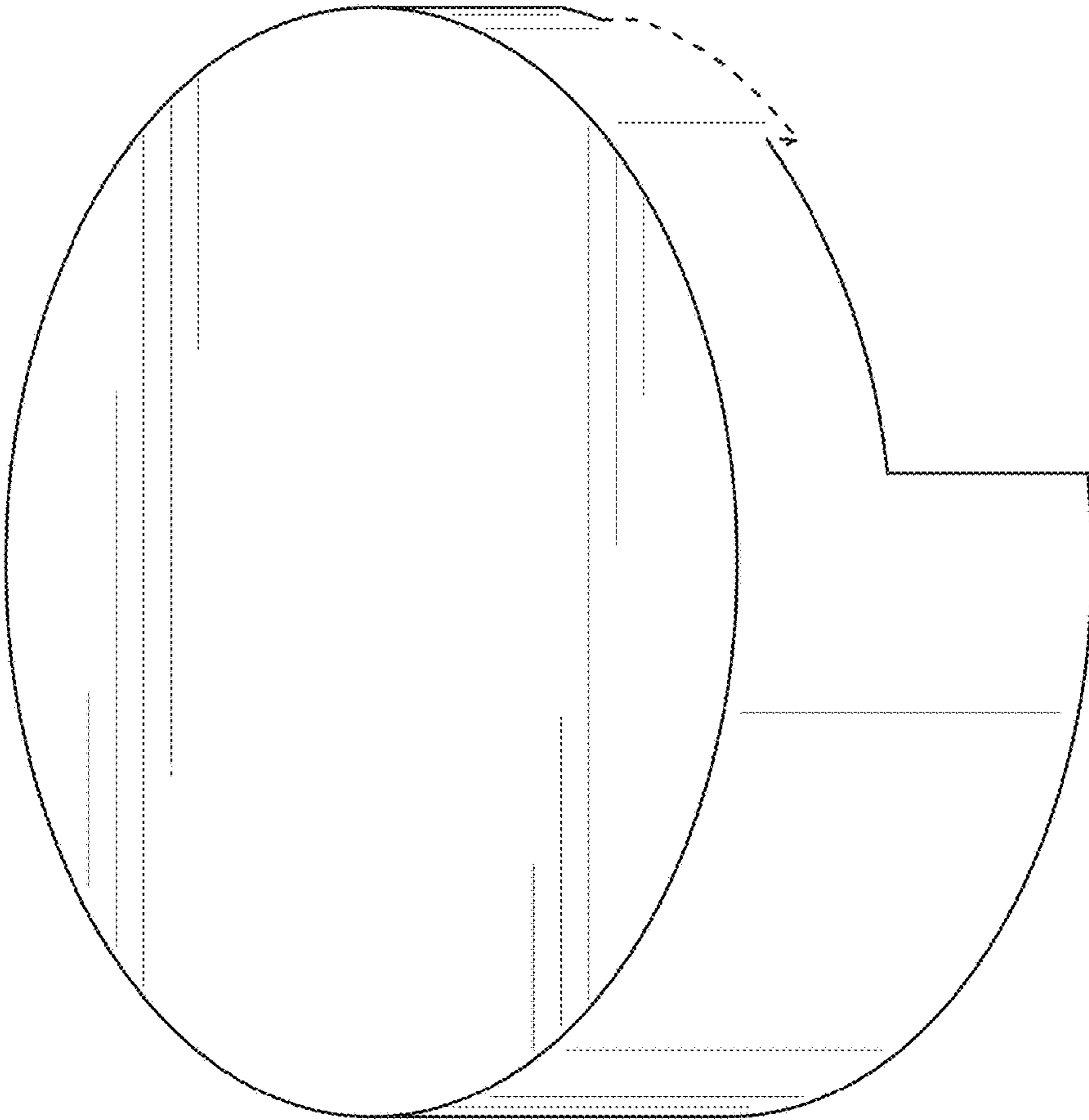


FIG. 19

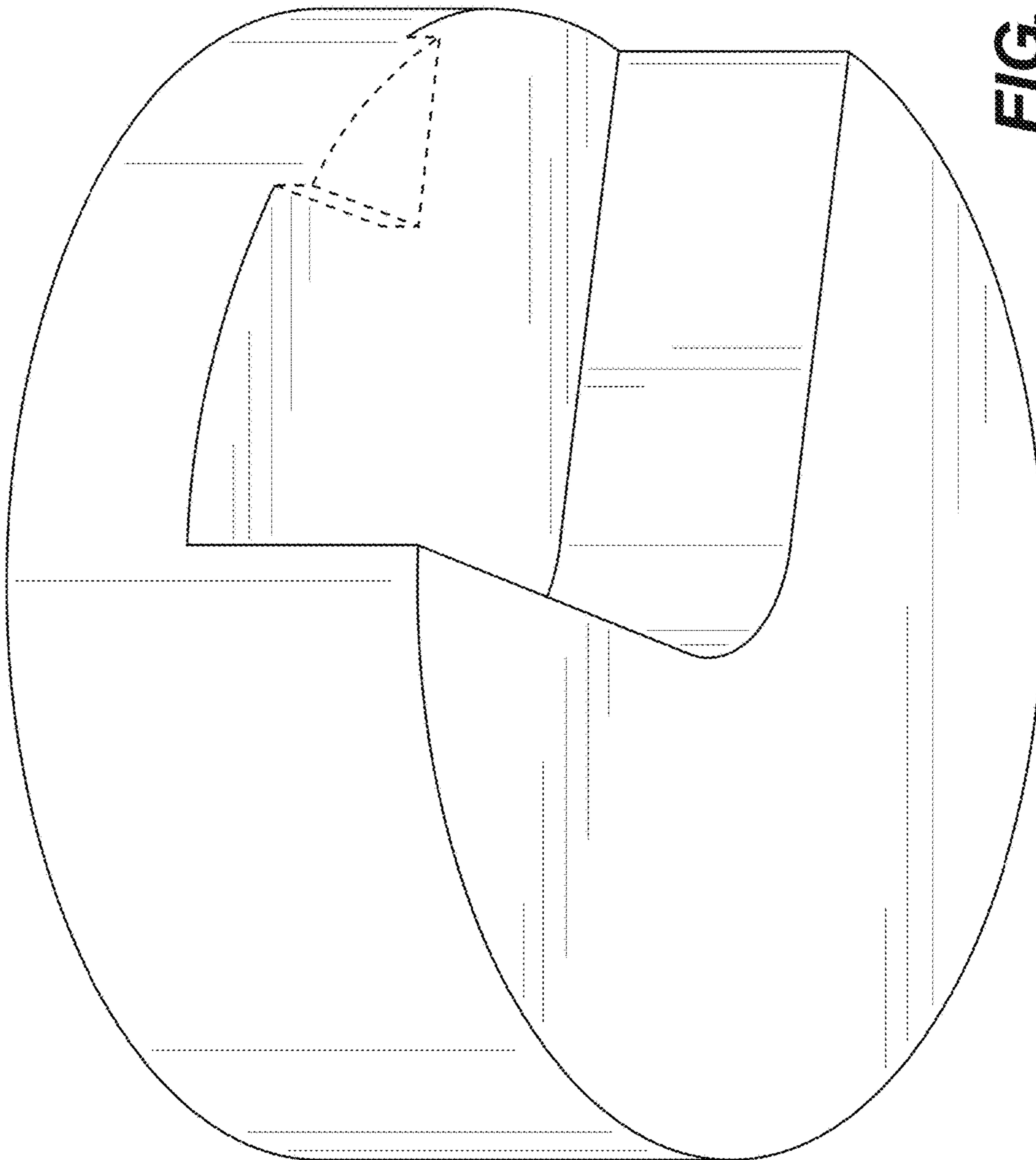


FIG. 20

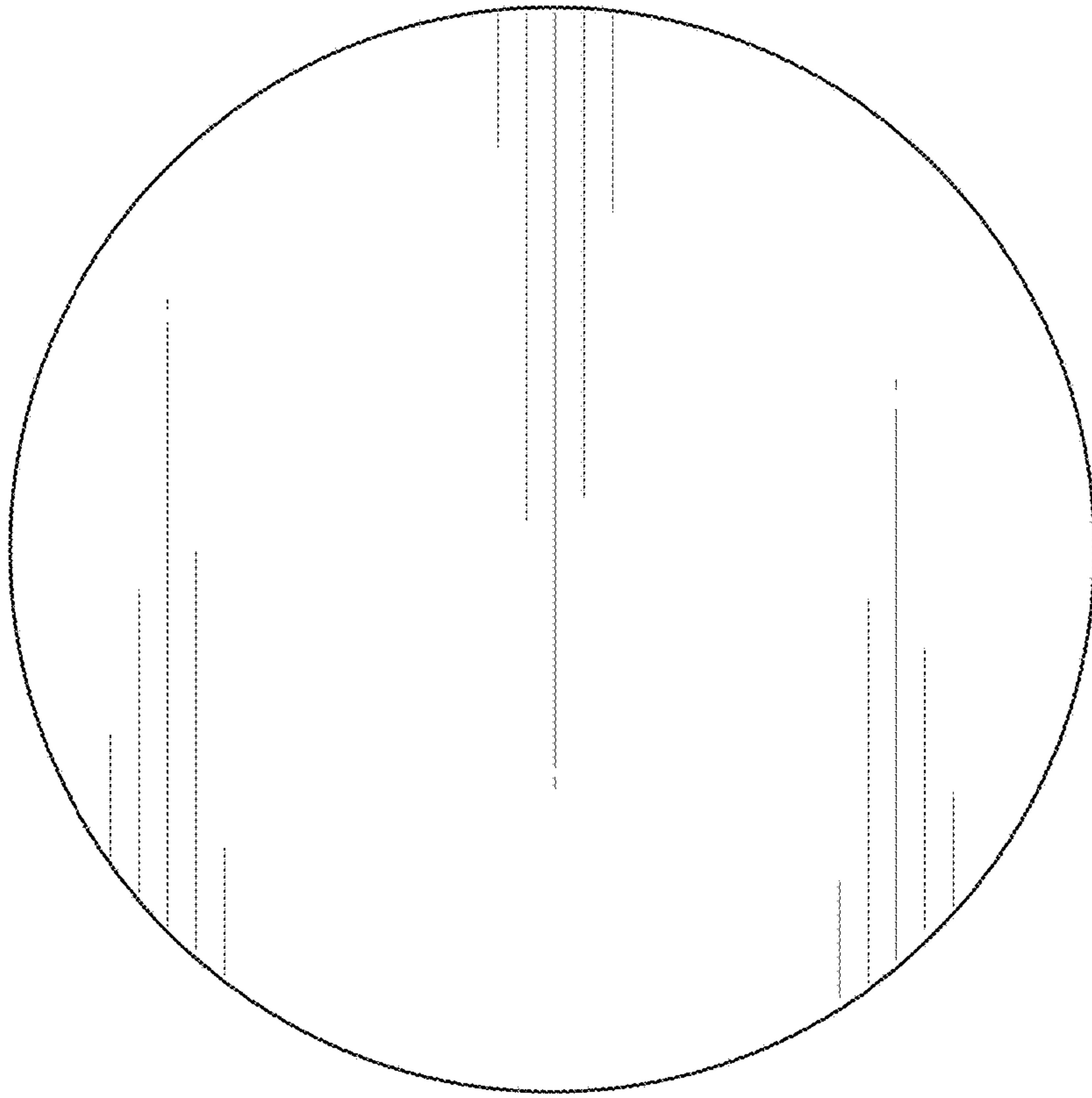


FIG. 21

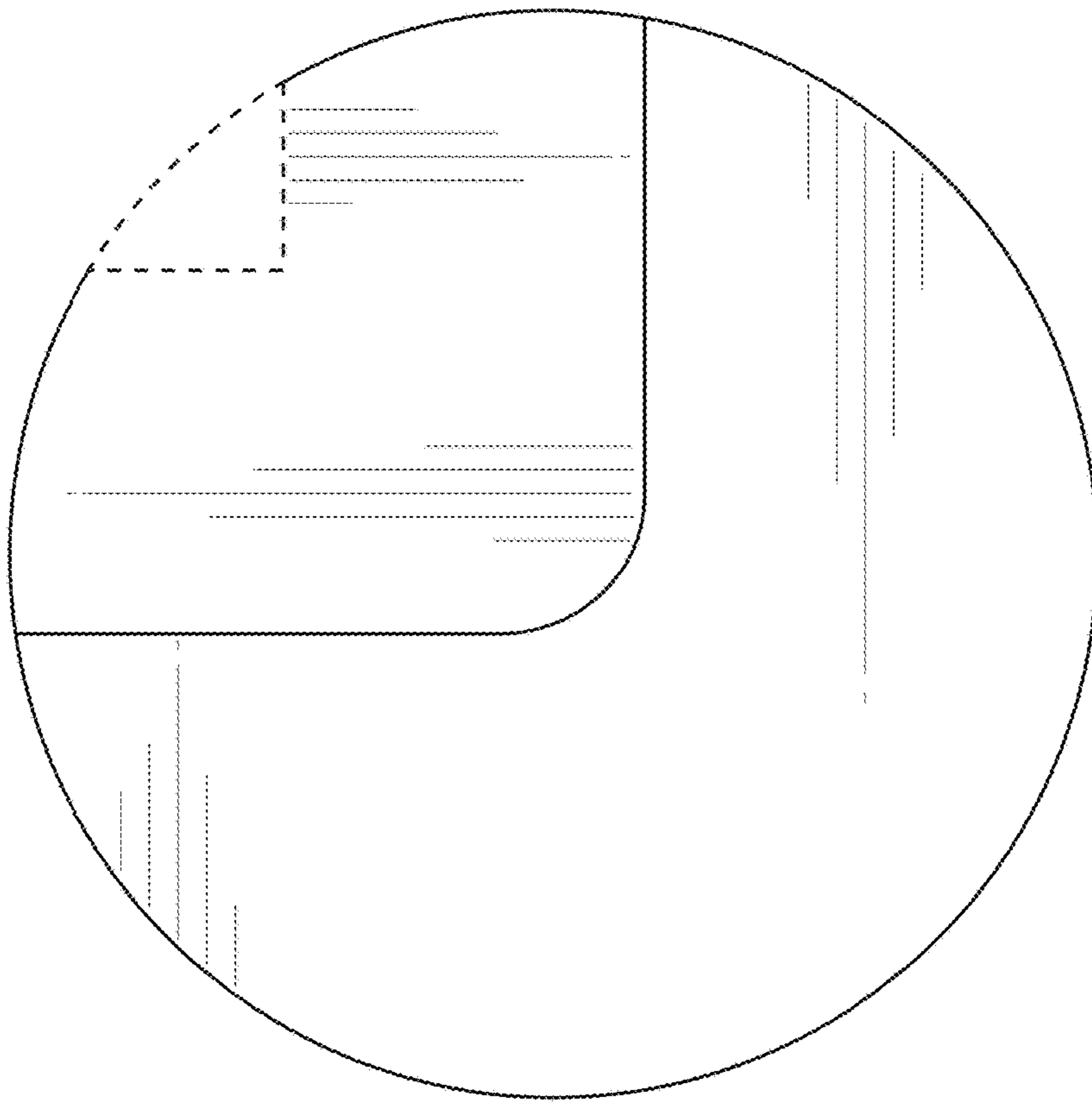


FIG. 22

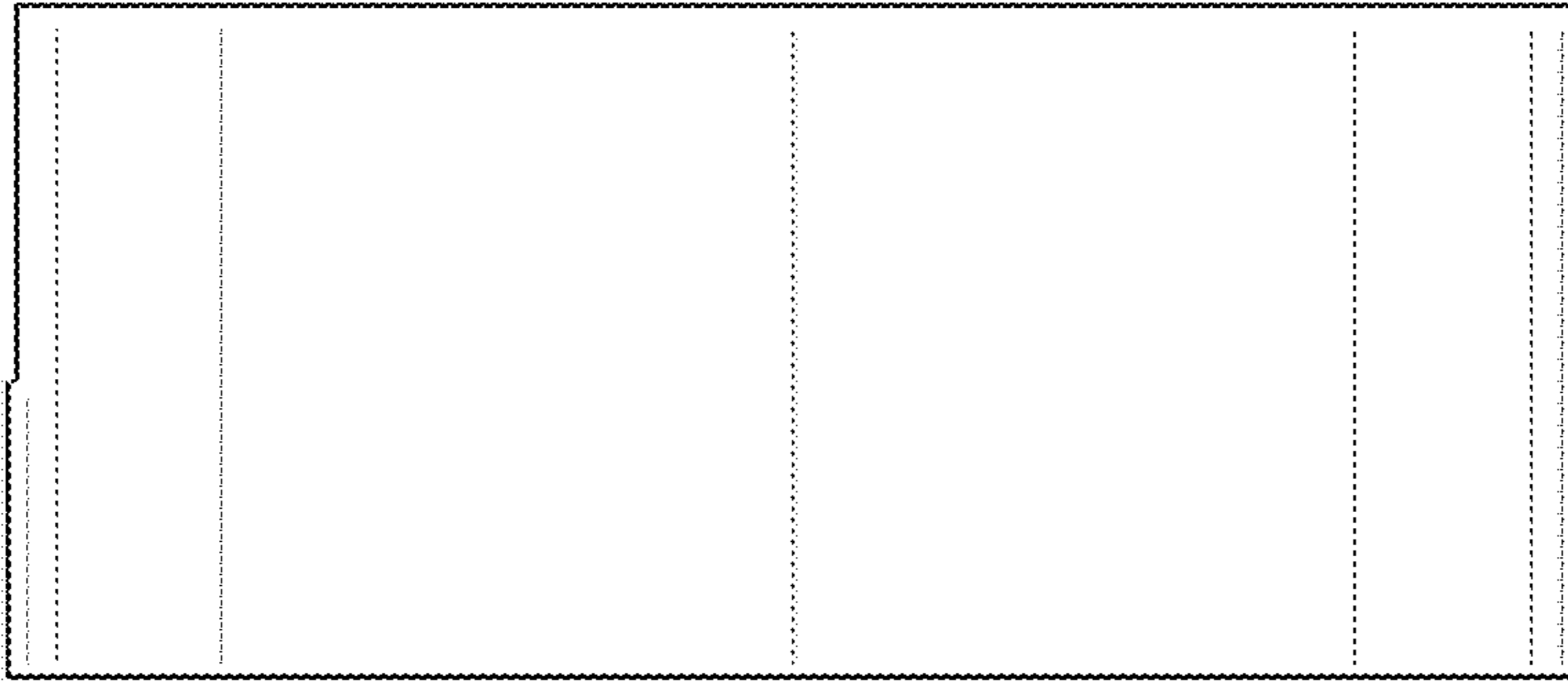


FIG. 24

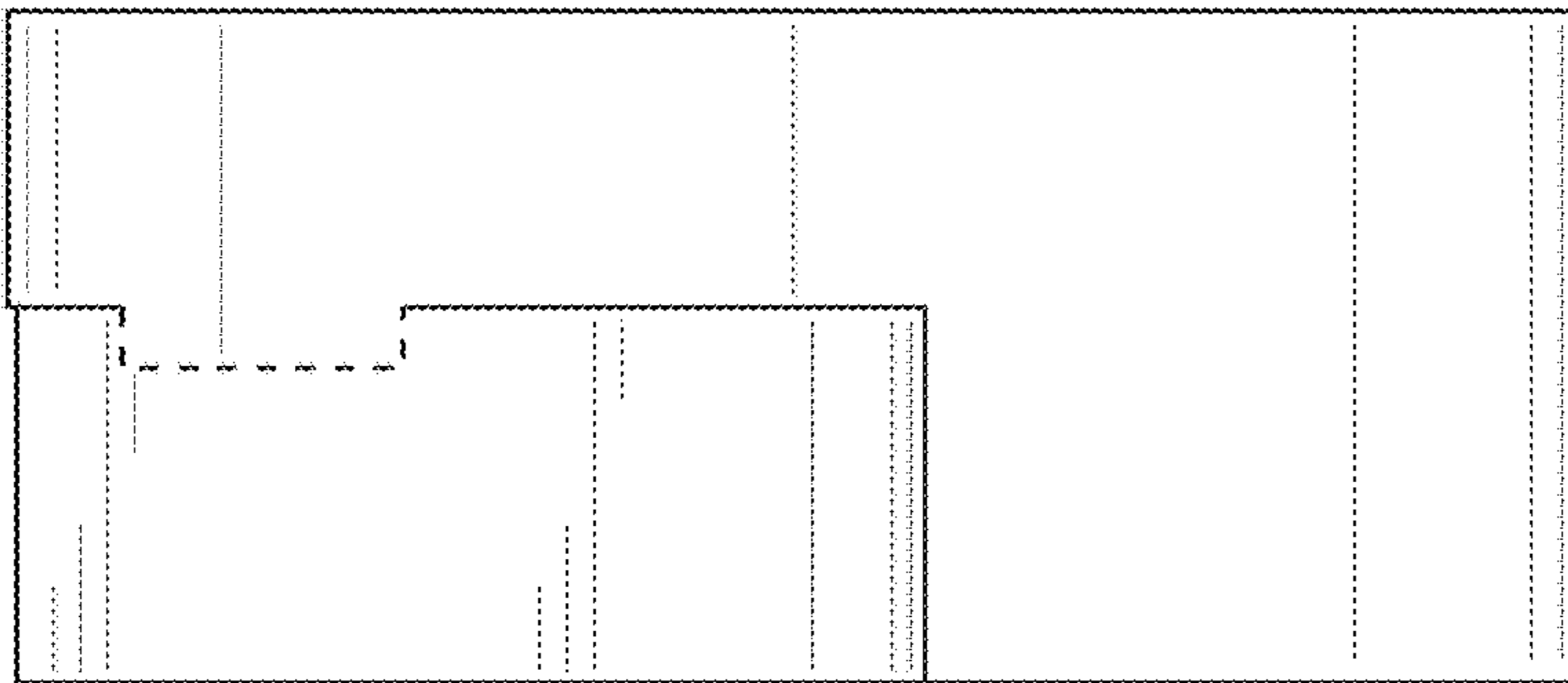


FIG. 23

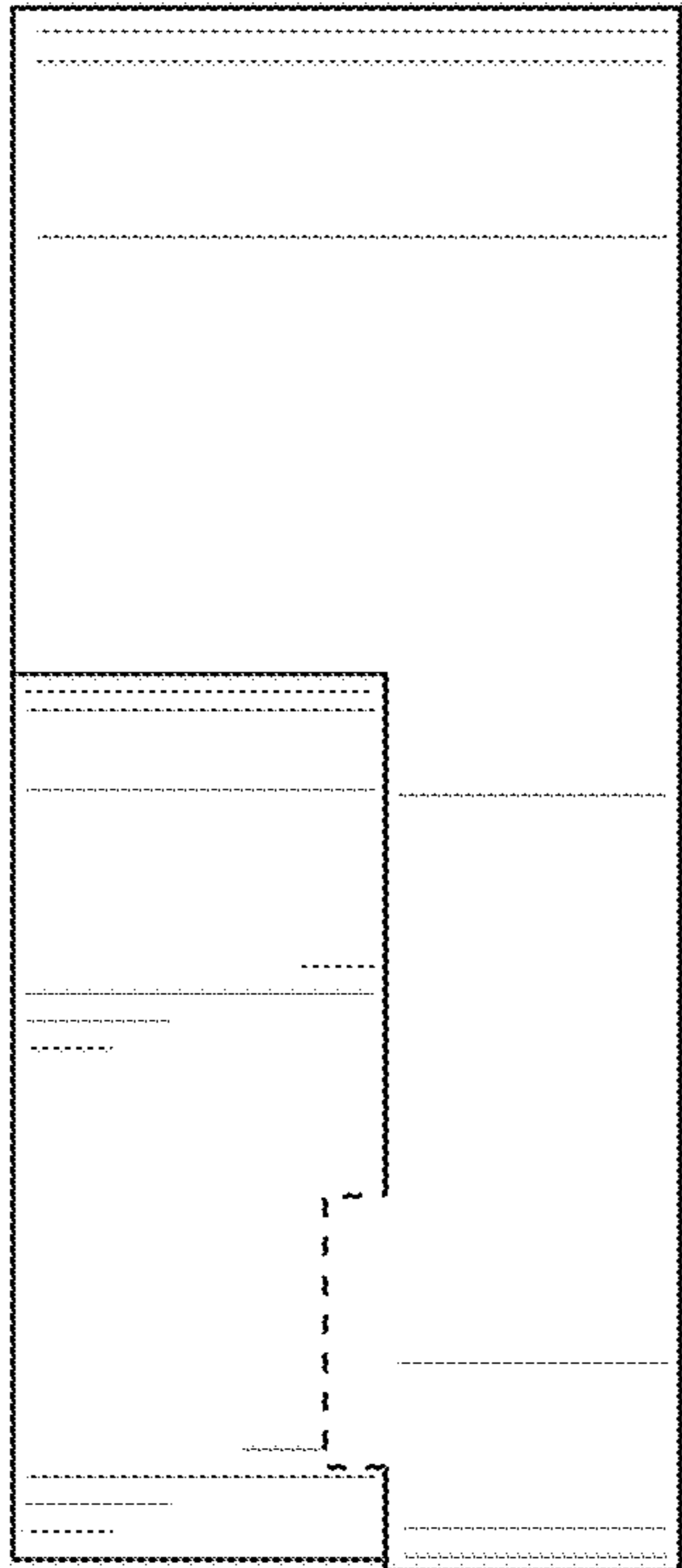


FIG. 25

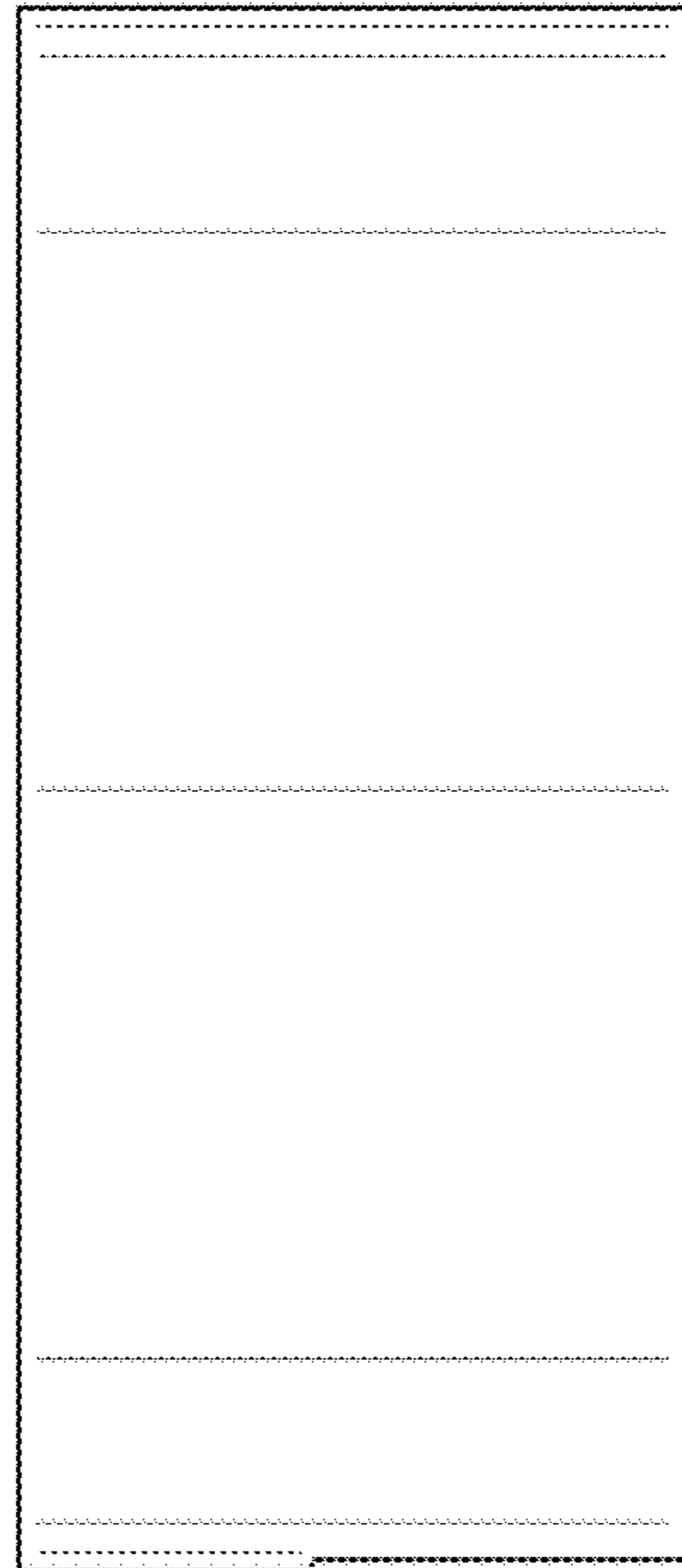


FIG. 26