



US00D794020S

(12) **United States Design Patent** (10) **Patent No.:** **US D794,020 S**  
**Homza et al.** (45) **Date of Patent:** **\*\* Aug. 8, 2017**

(54) **CABLE MODEM**

(56) **References Cited**

(71) Applicant: **Comcast Cable Communications, LLC**, Philadelphia, PA (US)

U.S. PATENT DOCUMENTS

(72) Inventors: **Henry Homza**, Philadelphia, PA (US);  
**Michael Jou**, Philadelphia, PA (US);  
**Wonmo Koo**, Wynnewood, PA (US);  
**Fraser Stirling**, Bryn Mawr, PA (US);  
**Neil Epstein**, Havertown, PA (US);  
**Thomas Loretan**, Philadelphia, PA (US)

D251,657 S	*	4/1979	Jewell	.....	D9/426
D513,240 S	*	12/2005	Uehara	.....	D14/125
D521,001 S	*	5/2006	Xiao	.....	D14/356
D583,367 S	*	12/2008	Chen	.....	D14/240
D606,034 S	*	12/2009	Suzuki	.....	D14/125
D639,254 S	*	6/2011	Giovannoni	.....	D14/125
D678,763 S	*	3/2013	Tyberghein	.....	D9/426

(73) Assignee: **Comcast Cable Communications, LLC**, Philadelphia, PA (US)

\* cited by examiner

(\*\*) Term: **15 Years**

*Primary Examiner* — Robert M Spear

*Assistant Examiner* — John Voytek

(21) Appl. No.: **29/568,100**

(74) *Attorney, Agent, or Firm* — Baker & Hostetler LLP

(22) Filed: **Jun. 15, 2016**

(51) **LOC (10) Cl.** ..... **14-03**

(52) **U.S. Cl.**  
USPC ..... **D14/358; D14/240**

(58) **Field of Classification Search**  
USPC .... D14/125, 138 C, 138 R, 140.1, 155, 159,  
D14/167, 230, 231, 232, 233, 234, 235,  
D14/236, 237, 238, 240, 242, 243, 299,  
D14/348, 349, 351, 353, 354, 355, 356,  
D14/357, 358, 367, 385, 433, 435, 436,  
D14/474, 480, 496; D13/123, 184;  
D10/75, 104.1

(57) **CLAIM**

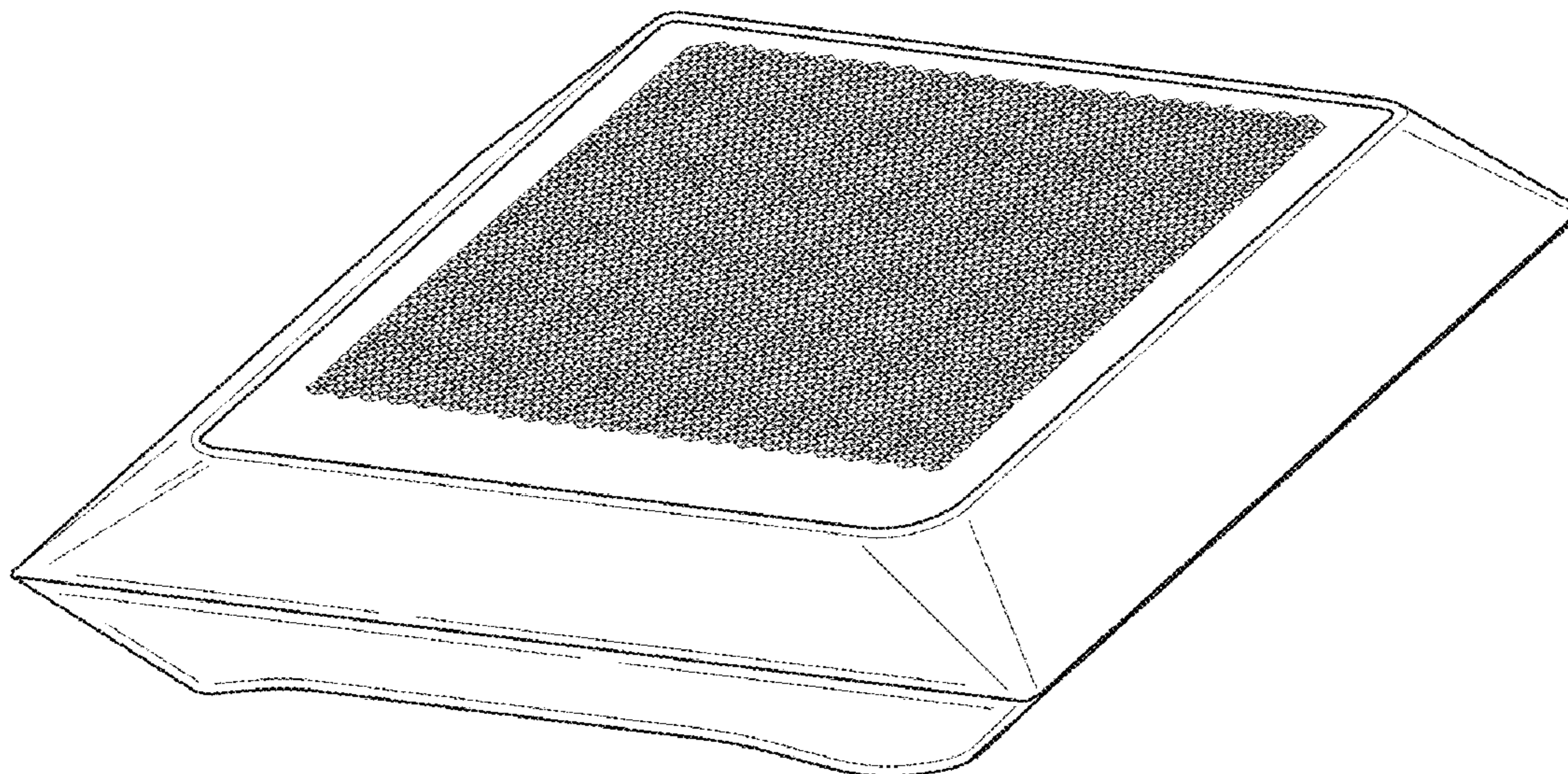
The ornamental design for a cable modem, as shown and described.

**DESCRIPTION**

FIG. 1 is a perspective view of a cable modem showing my new design;  
FIG. 2 is a top view of the cable modem of FIG. 1;  
FIG. 3 is a bottom view of the cable modem of FIG. 1;  
FIG. 4 is a front view of the cable modem of FIG. 1;  
FIG. 5 is a rear view of the cable modem of FIG. 1;  
FIG. 6 is a left side view of the cable modem of FIG. 1; and,  
FIG. 7 is a right side view of the cable modem of FIG. 1.  
The broken line portion “- - -” of the drawings is included to show unclaimed subject matter only for the purpose of illustrating environment and forms no part of the claimed design.

See application file for complete search history.

**1 Claim, 4 Drawing Sheets**



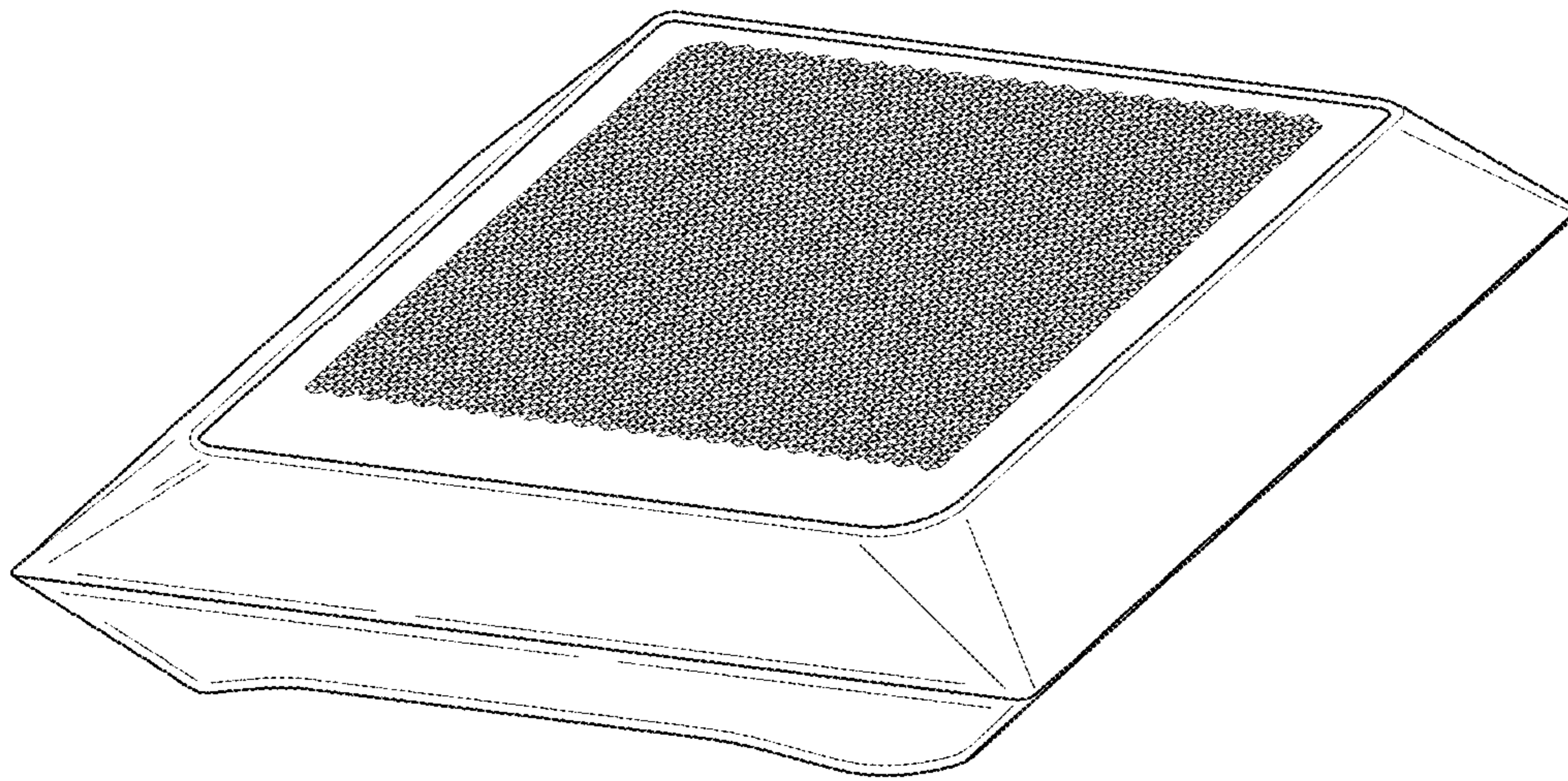


FIG. 1



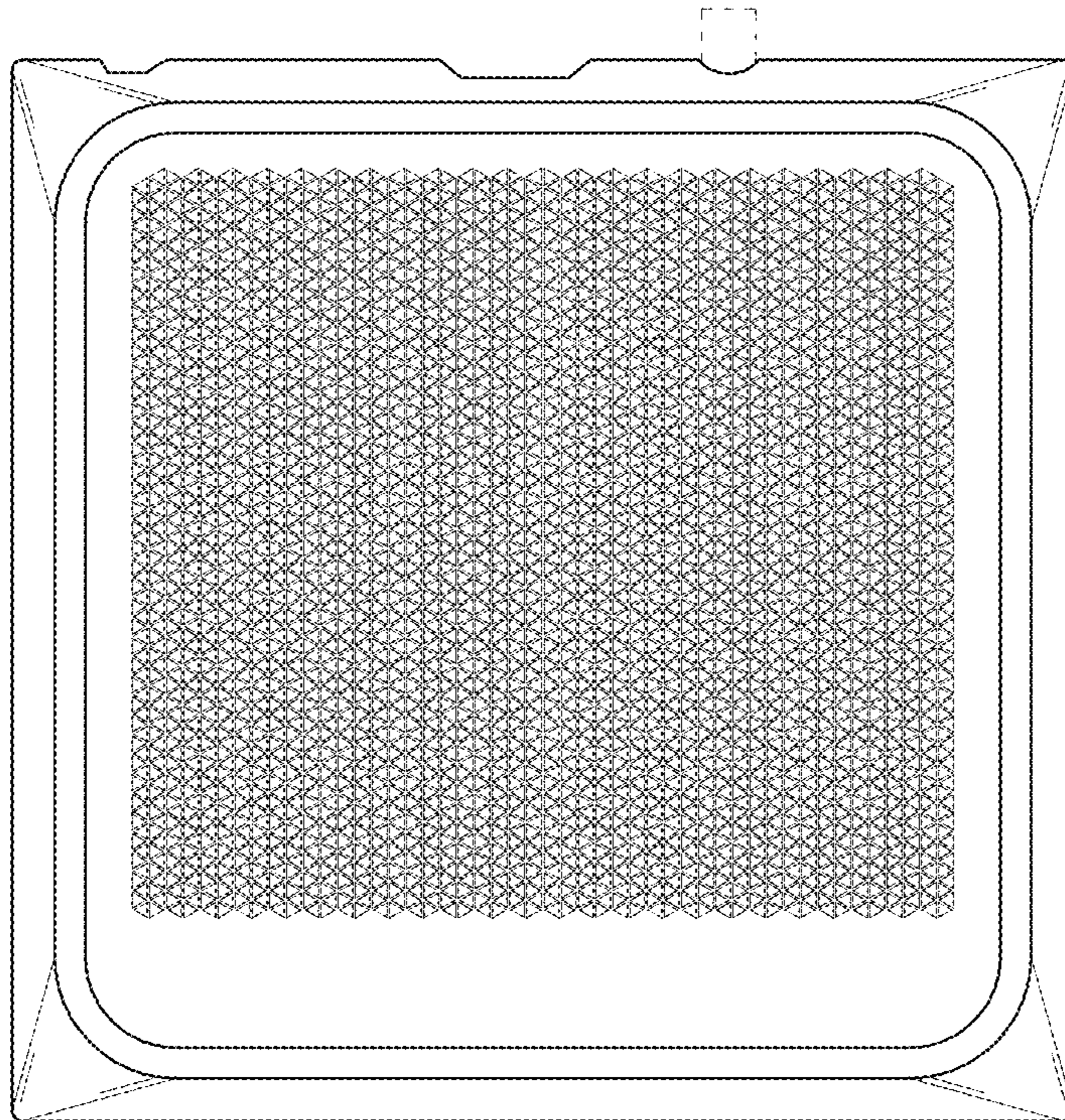


FIG. 2

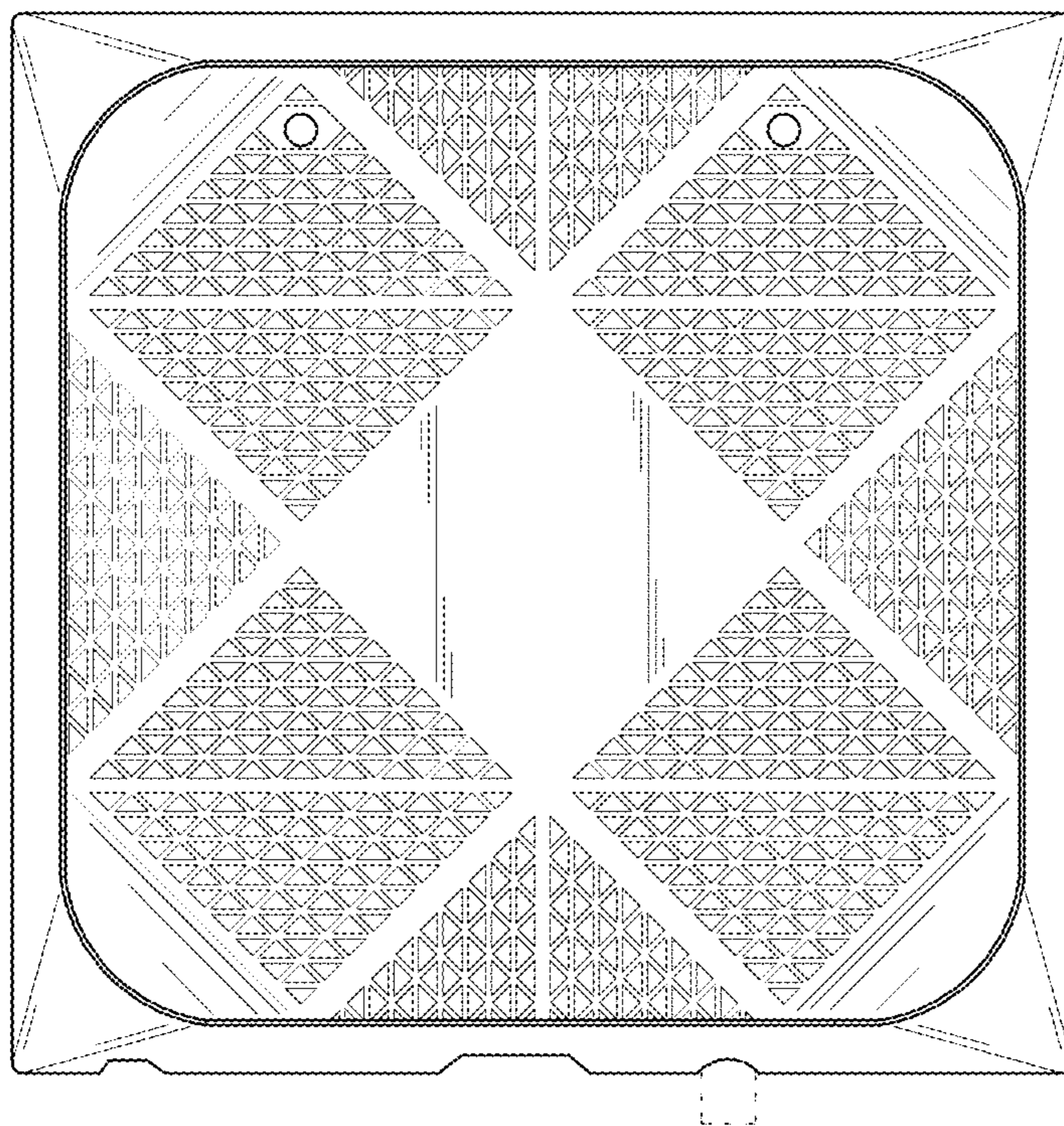


FIG. 3

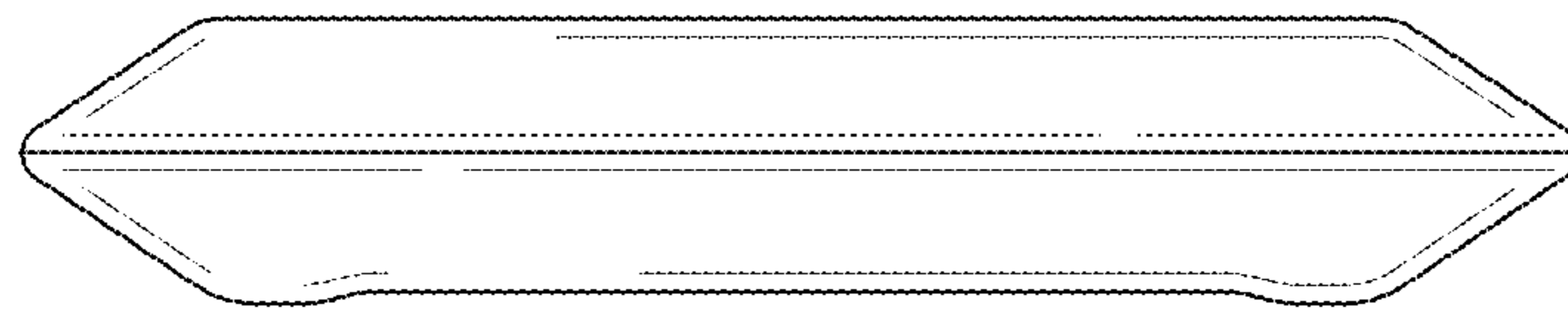


FIG. 4

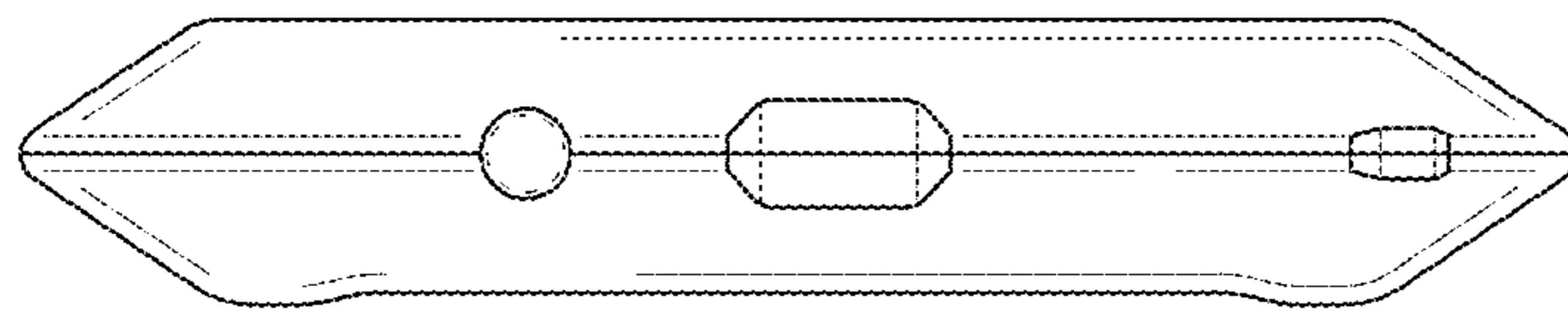


FIG. 5

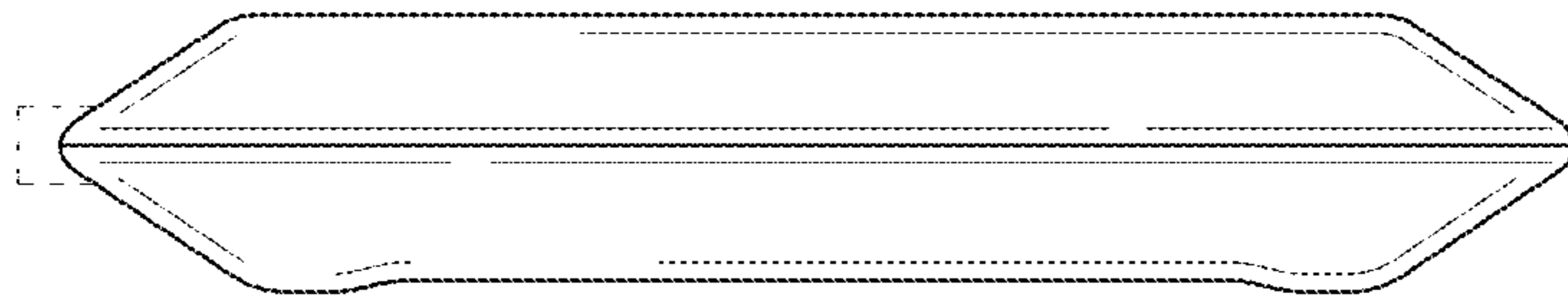


FIG. 6

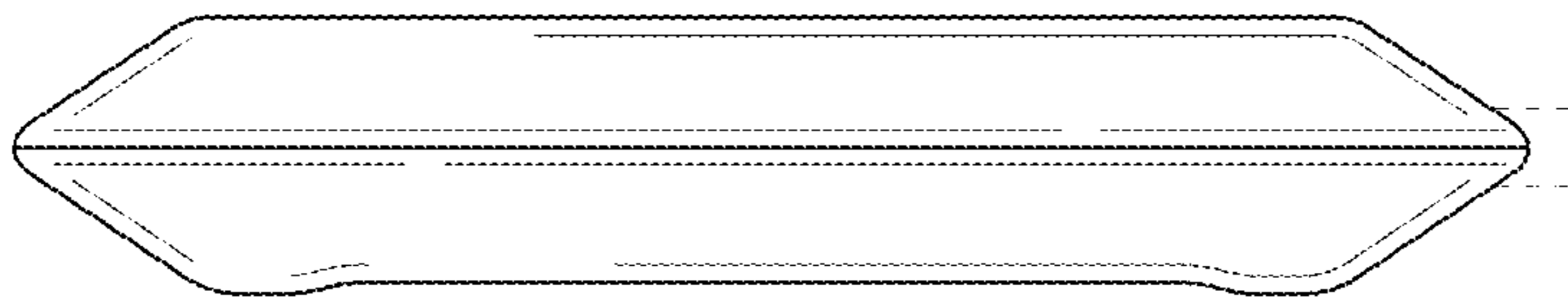


FIG. 7