



US00D794019S

(12) **United States Design Patent**
Kusano et al.

(10) **Patent No.:** **US D794,019 S**
(45) **Date of Patent:** **** Aug. 8, 2017**

(54) **WIRELESS NETWORKING DEVICE**

(71) Applicant: **Sonos, Inc.**, Santa Barbara, CA (US)

(72) Inventors: **Mieko Kusano**, Santa Barbara, CA (US); **Ernesto Figueira**, Santa Barbara, CA (US); **Roland Bird**, Santa Barbara, CA (US); **Niels Van Hoof**, Santa Barbara, CA (US)

(73) Assignee: **Sonos, Inc.**, Santa Barbara, CA (US)

(**) Term: **15 Years**

(21) Appl. No.: **29/554,354**

(22) Filed: **Feb. 10, 2016**

Related U.S. Application Data

(63) Continuation of application No. 29/499,300, filed on Aug. 13, 2014, now Pat. No. Des. 754,751.

(51) **LOC (10) Cl.** **14-02**

(52) **U.S. Cl.**
USPC **D14/358**; D14/496

(58) **Field of Classification Search**
USPC D14/358, 496, 356, 357, 359-361, 125, D14/140.2, 149, 188, 135, 137, 155, 240, D14/242, 256; D13/184; D9/423, 424; 361/679.31, 679.33, 679.4, 683, 685, 752; 711/100, 115
CPC G06F 1/16; H05K 7/02
See application file for complete search history.

(56) **References Cited**

U.S. PATENT DOCUMENTS

D220,105 S * 3/1971 Small D14/300
D286,633 S 11/1986 Pauser
D375,297 S * 11/1996 Casarez D14/242
D416,004 S 11/1999 Tanimura et al.
D416,896 S 11/1999 Ogasawara et al.

6,147,859 A * 11/2000 Abboud G06F 1/20
312/223.1
D453,329 S * 2/2002 Muramatsu D14/230
D464,958 S * 10/2002 Coker D14/240
6,873,524 B2 * 3/2005 Kaczeus, Sr. G06F 1/184
360/99.14
D513,617 S 1/2006 Tierney et al.
(Continued)

OTHER PUBLICATIONS

“Apple TV 4! Will You Get One?”, Dtathemes, Sep. 8, 2015, retrieved from <http://www.dtathemes.com/apple-tv-4-will-you-get-one/> on Mar. 2, 2016.

(Continued)

Primary Examiner — Paula Greene
(74) *Attorney, Agent, or Firm* — KPPB LLP

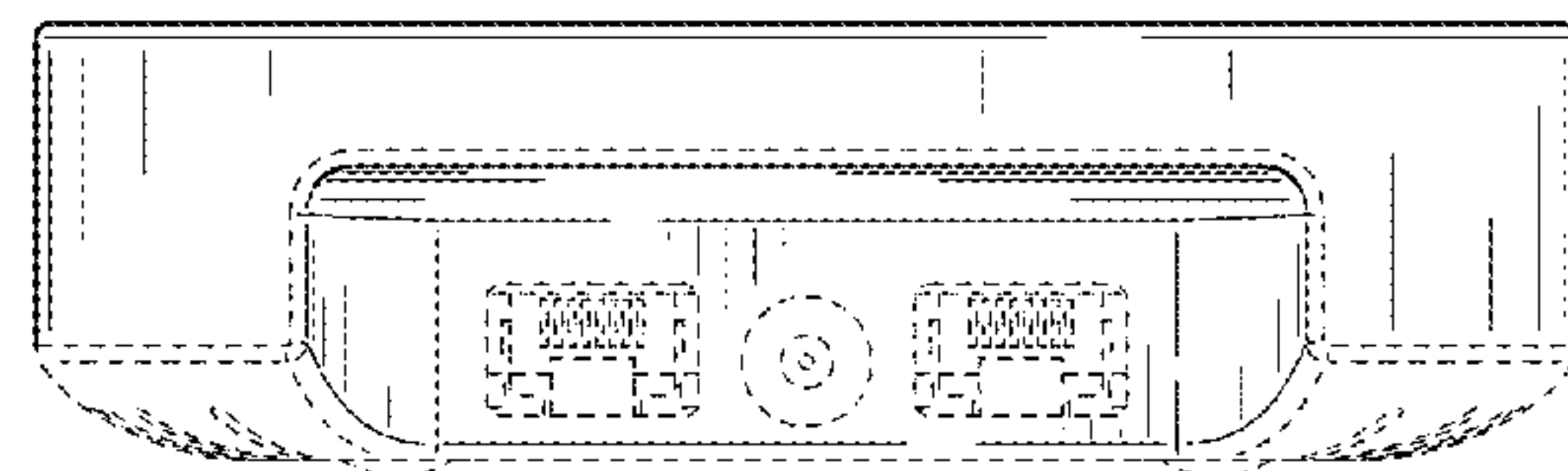
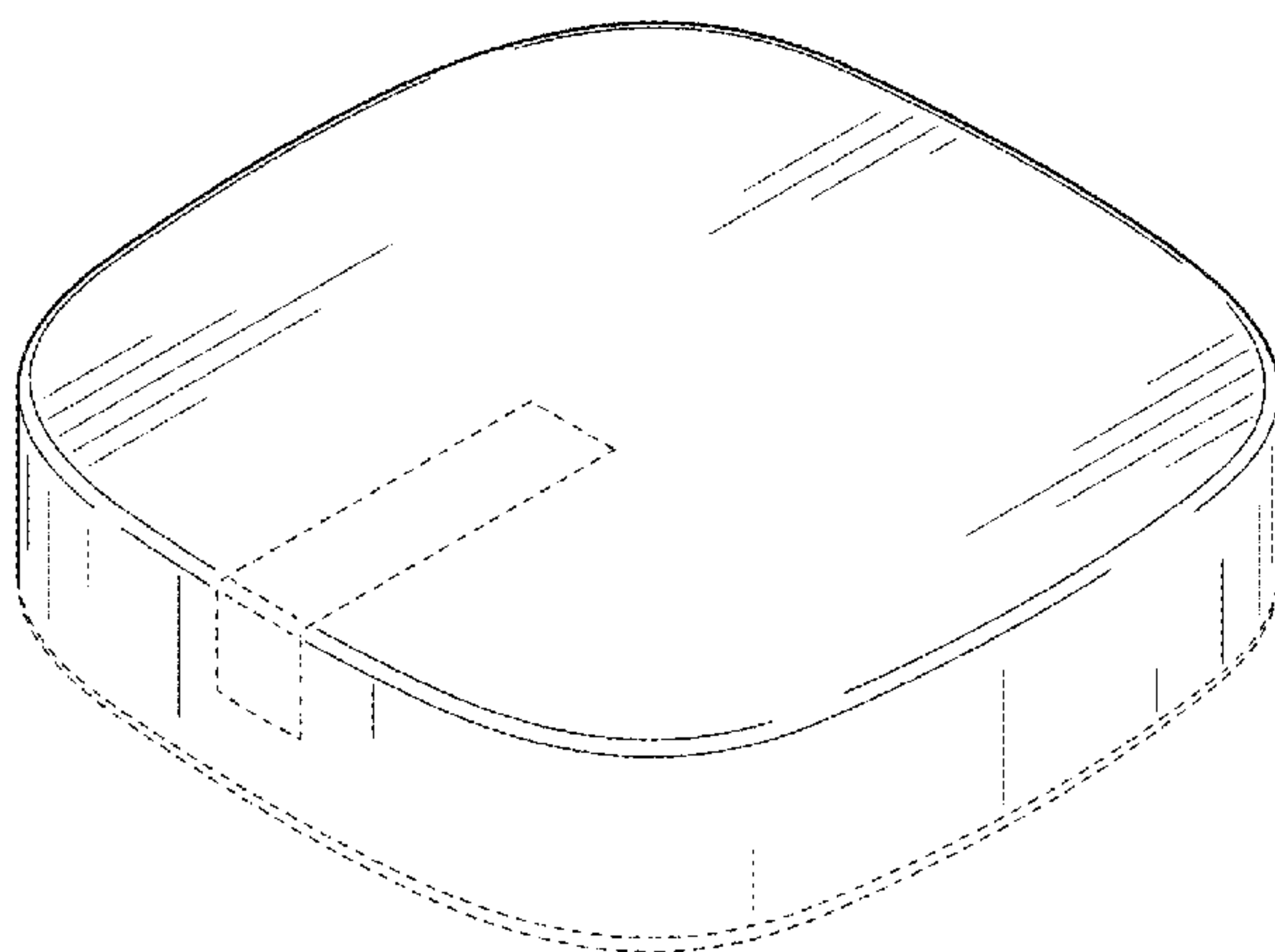
(57) **CLAIM**

The ornamental design for a wireless networking device, as shown and described.

DESCRIPTION

FIG. 1 is an isometric view of a wireless networking device. FIG. 2 is a front view of the wireless networking device of FIG. 1. FIG. 3 is a rear view of the wireless networking device of FIG. 1. FIG. 4 is a side view of the wireless networking device of FIG. 1. FIG. 5 is another side view of the wireless networking device of FIG. 1. FIG. 6 is a top view of the wireless networking device of FIG. 1; and, FIG. 7 is a bottom view of the wireless networking device of FIG. 1. The broken lines depict portions of the wireless networking device that form no part of the claimed design.

1 Claim, 3 Drawing Sheets



(56)

References Cited

U.S. PATENT DOCUMENTS

D513,750 S 1/2006 Ko et al.
 D519,101 S 4/2006 Alwicker
 D521,001 S * 5/2006 Xiao D14/356
 D522,531 S * 6/2006 Solomon D14/188
 7,057,566 B2 * 6/2006 Theobald H01Q 1/088
 343/702
 D530,315 S 10/2006 Liu
 D532,785 S 11/2006 Lo et al.
 D533,177 S 12/2006 Andre
 D535,281 S 1/2007 Yang
 D537,817 S 3/2007 Andre
 D542,288 S 5/2007 Andre
 D574,360 S 8/2008 Matsuoka et al.
 D582,384 S * 12/2008 Christopher D14/188
 D582,429 S * 12/2008 Kusano D14/496
 D583,796 S 12/2008 Tanaka et al.
 D585,733 S 2/2009 Feibelman
 D594,874 S 6/2009 Sheba et al.
 D594,875 S 6/2009 Sheba et al.
 D596,626 S 7/2009 Andre
 D599,753 S 9/2009 Cho et al.
 D601,583 S 10/2009 Andre
 D609,701 S 2/2010 Hou et al.
 D620,953 S 8/2010 Andre
 D638,426 S * 5/2011 Ikeda D14/240
 D641,327 S 7/2011 Falakfarsa et al.
 D641,364 S 7/2011 McParland et al.
 D651,994 S 1/2012 Lundbom et al.
 D655,305 S * 3/2012 Koo D14/496
 D657,784 S 4/2012 Akana et al.
 D660,809 S 5/2012 Kern Koskela et al.
 D660,839 S * 5/2012 Govindasamy D14/358
 D664,130 S 7/2012 Lee et al.
 8,299,978 B2 * 10/2012 Gates H01Q 1/007
 343/725
 D676,005 S 2/2013 Wood et al.
 8,411,434 B2 4/2013 Goh
 D684,193 S * 6/2013 Maier D14/496
 D685,392 S * 7/2013 Chamness D14/496
 D686,201 S 7/2013 Lee et al.
 D687,817 S * 8/2013 Petersen D14/240
 D689,860 S 9/2013 Chong et al.
 D693,808 S 11/2013 Kim et al.

D696,299 S * 12/2013 Chamness D14/496
 D704,177 S * 5/2014 Chun D14/240
 D705,224 S * 5/2014 Govindasamy D14/356
 D711,345 S * 8/2014 Liu D14/140
 D719,153 S 12/2014 Lim et al.
 D719,561 S 12/2014 Akana et al.
 D719,928 S 12/2014 Birger
 D721,061 S * 1/2015 Burlingame D14/216
 D721,352 S * 1/2015 Kusano D14/204
 D723,479 S 3/2015 Lee et al.
 D727,360 S 4/2015 Peng
 D743,954 S * 11/2015 Chuang D13/168
 D746,795 S * 1/2016 Burlingame D14/218
 D754,751 S * 4/2016 Kusano D14/203.3
 D756,991 S * 5/2016 Day D14/314
 D759,629 S * 6/2016 Kusano D14/214
 D765,140 S * 8/2016 Peng D14/496
 D768,589 S * 10/2016 Shin D14/125
 D768,602 S * 10/2016 Reichert D14/204
 D776,657 S * 1/2017 Lagerstedt D14/240
 D781,257 S * 3/2017 Moon D14/125
 2003/0081377 A1 * 5/2003 Lin G06F 13/4286
 361/679.02
 2008/0040735 A1 2/2008 Saitou et al.
 2009/0228654 A1 9/2009 Lakowicz

OTHER PUBLICATIONS

“Apple TV 4th Generation—Initial Thoughts”, UofMTiger Tech, Oct. 31, 2015, Retrieved from <http://www.uofmtiger.com/blog/apple-tv-4th-generation-initial-thoughts> on Mar. 2, 2016.
 Brown, Ken, “Western Digital WD TV Play Media Player Review”, Legit Reviews, Feb. 20, 2013, Retrieved from http://www.legitreviews.com/western-digital-wd-tv-play-media-player-review_2140 on Mar. 2, 2016.
 Coles, Olin, “WD TV Live Digital MultiMedia Player”, BenchmarkReviews, Jul. 9, 2012, Retrieved from http://archive.benchmarkreviews.com/index.php?option=com_content&task=view&id=950&Itemid=66&limitstart=1 on Mar. 2, 2016.
 Sze, Kelvin, “Netgear NeoTV NTV300, NeoTV PRO NTV300S and NeoTV Max NTV300SL Streaming Players”, ITech News Net, Sep. 20, 2012, Retrieved from <http://www.itechnews.net/2012/09/20/netgear-neotv-ntv300-neotv-pro-ntv300s-and-neotv-max-ntv300sl-streaming-players/> on Mar. 2, 2016.

* cited by examiner

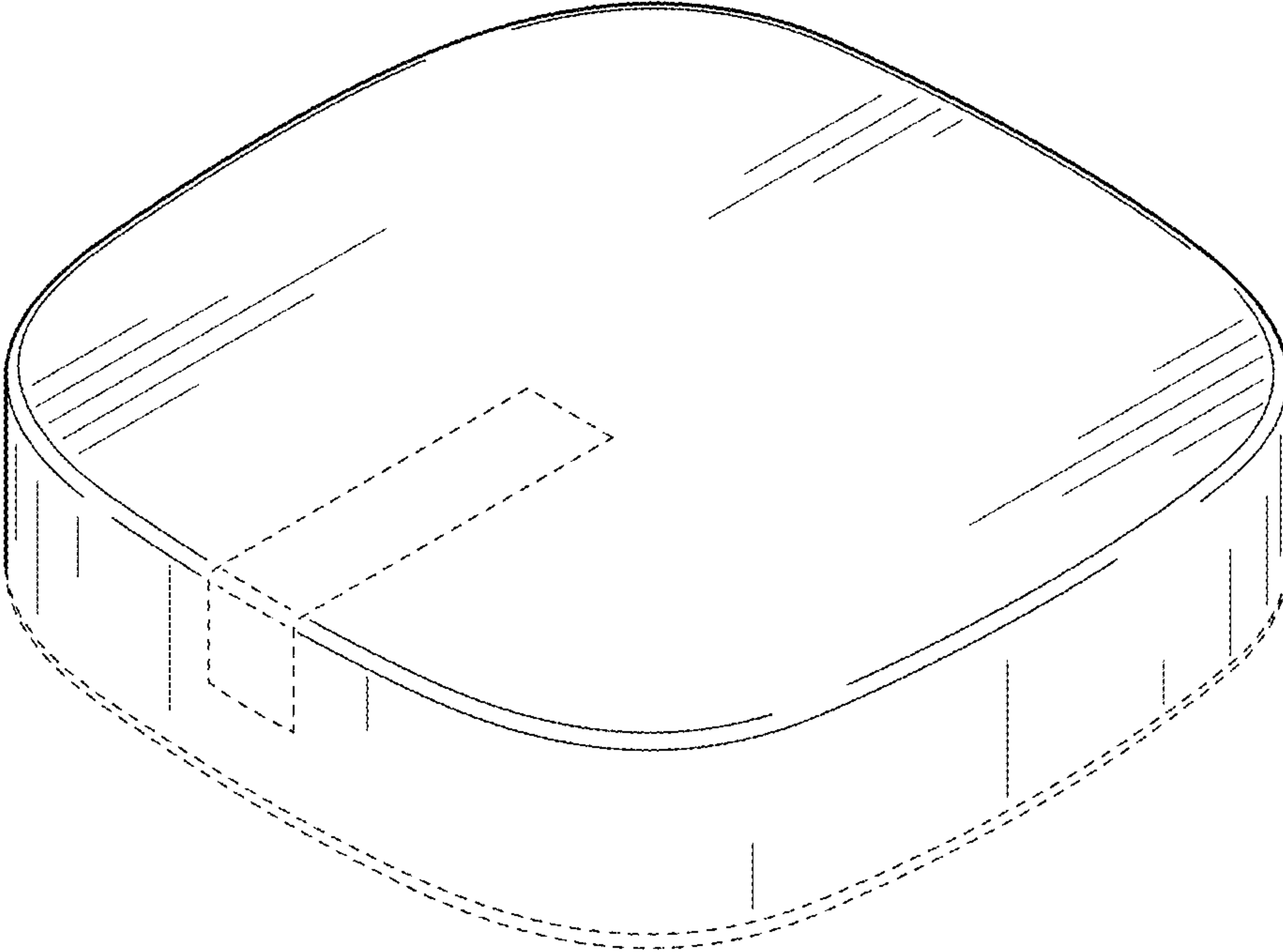


FIG. 1

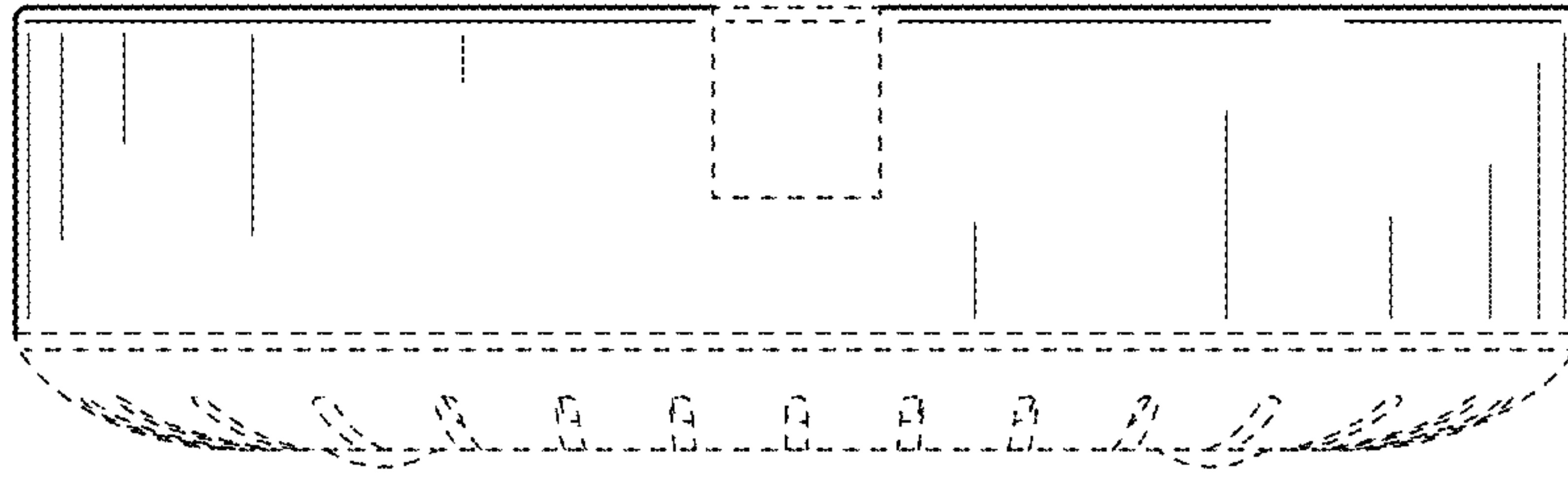


FIG. 2

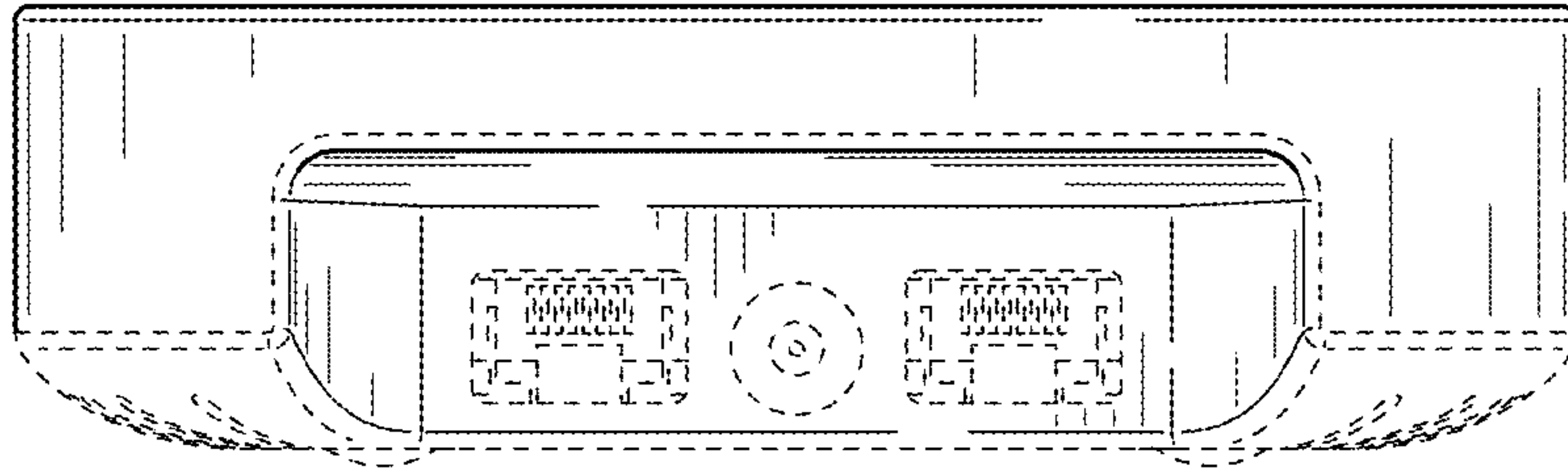


FIG. 3

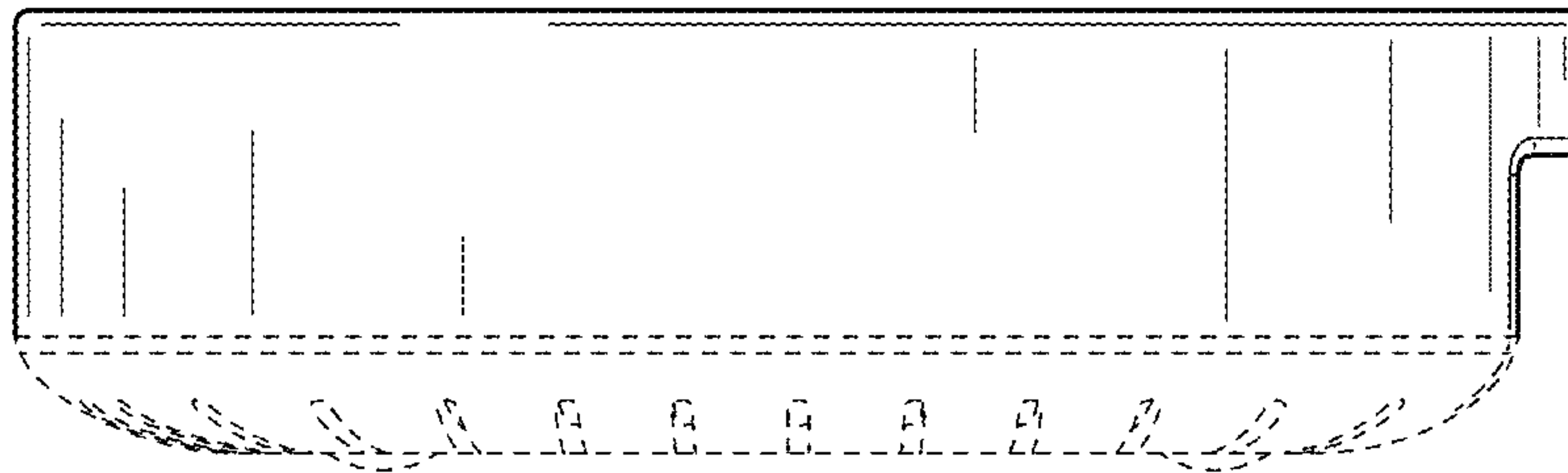


FIG. 4

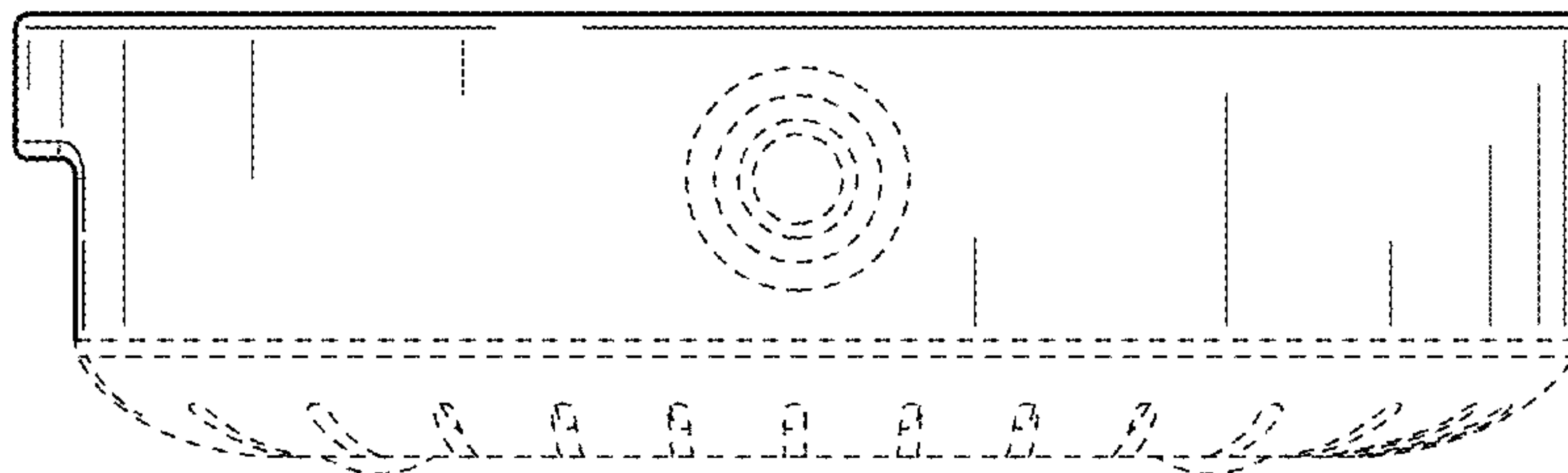


FIG. 5

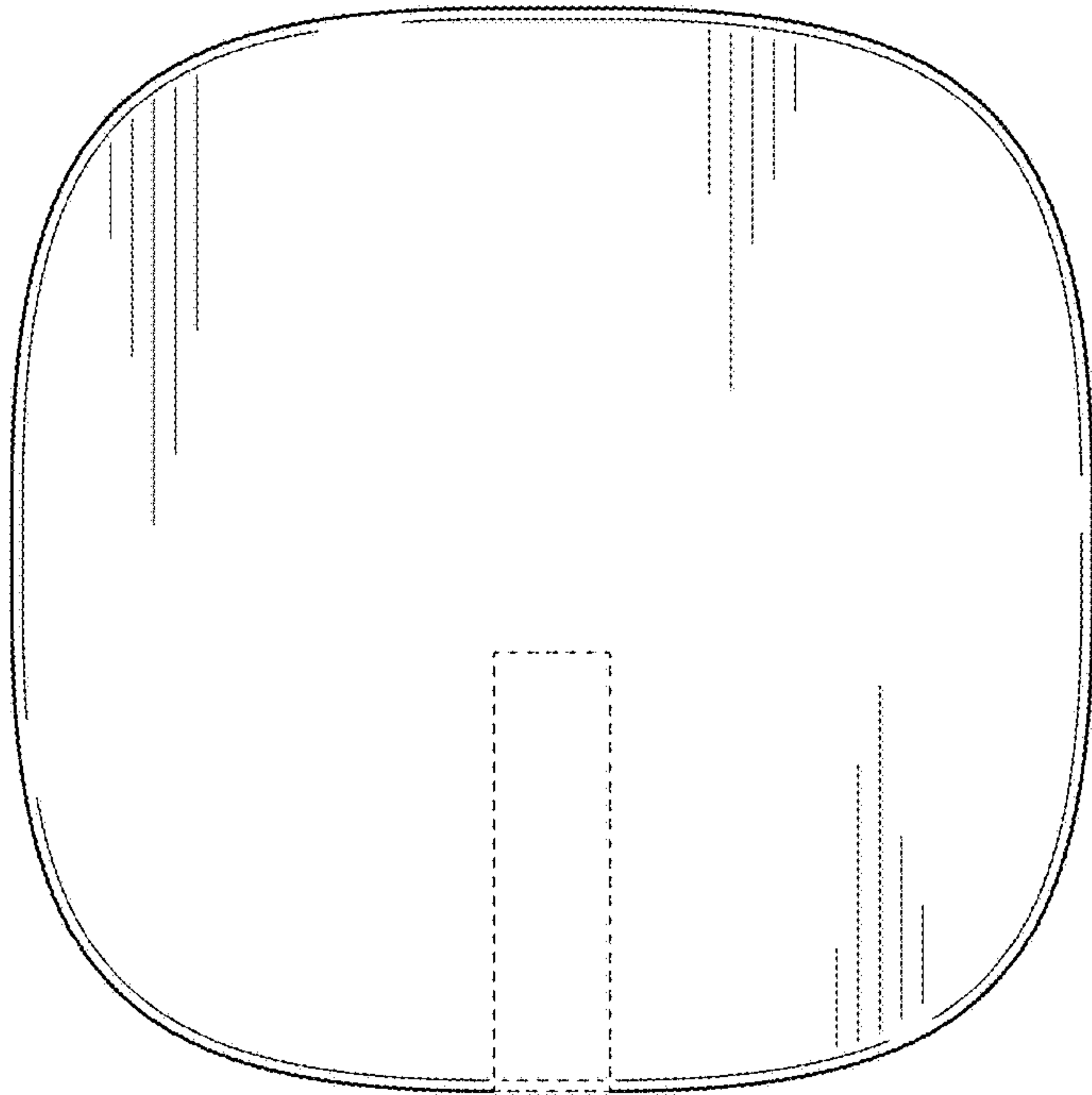


FIG. 6

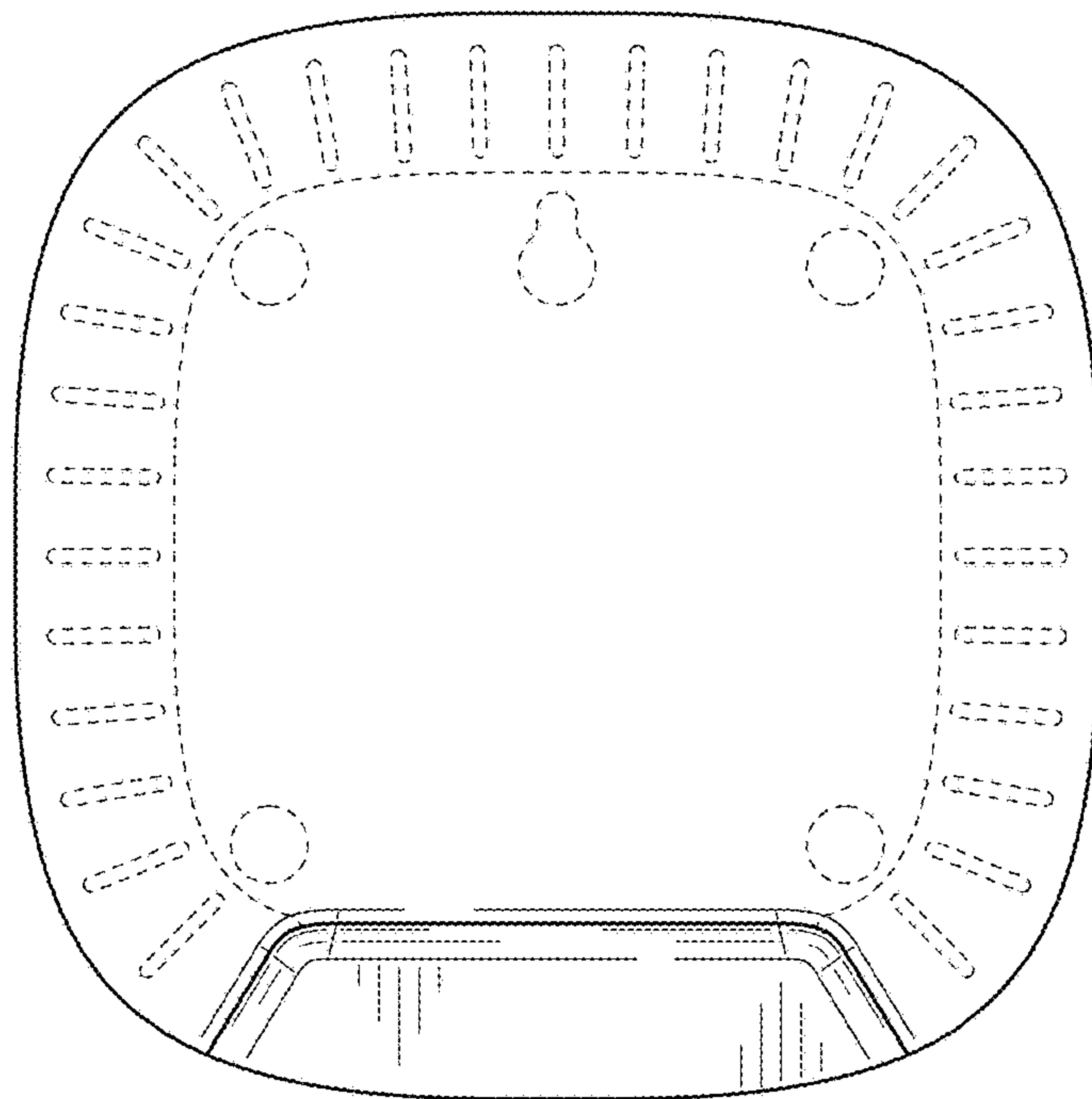


FIG. 7