



US00D794016S

(12) **United States Design Patent** (10) **Patent No.:** **US D794,016 S**
Probst et al. (45) **Date of Patent:** **** Aug. 8, 2017**

(54) **INFORMATION HANDLING SYSTEM**

(56) **References Cited**

(71) Applicant: **Dell Products L.P.**, Round Rock, TX (US)

U.S. PATENT DOCUMENTS

(72) Inventors: **Joshua Y. Probst**, Austin, TX (US);
Jason T. Minehart, Austin, TX (US);
Christopher T. Barnard, Austin, TX (US);
Michael Ellis Smith, Austin, TX (US)

6,549,398	B2 *	4/2003	Chen	G06F 1/184
				312/223.1
D497,162	S *	10/2004	Neal	D14/349
D544,453	S *	6/2007	Yamada	D14/125
D545,306	S *	6/2007	Lauffer	D14/349
7,269,003	B1 *	9/2007	Chung	G11B 33/022
				165/185
D606,066	S *	12/2009	Lee	D14/301
D676,444	S *	2/2013	Cloutier	D14/349
D707,225	S *	6/2014	Shin	D14/349
2003/0122457	A1 *	7/2003	Diaz	G06F 1/181
				312/223.2

(73) Assignee: **Dell Products L.P.**, Round Rock, TX (US)

(**) Term: **15 Years**

* cited by examiner

(21) Appl. No.: **29/553,928**

Primary Examiner — Freda S Nunn

(22) Filed: **Feb. 5, 2016**

(74) *Attorney, Agent, or Firm* — Terrille, Cannatti, Chambers & Holland, LLP; Stephen A. Terrile

(51) **LOC (10) Cl.** **14-02**

(52) **U.S. Cl.**
USPC **D14/349**

(57) **CLAIM**

We claim the ornamental design for an information handling system, as shown and described.

(58) **Field of Classification Search**

USPC D14/240, 300, 301, 308, 313, 314,
D14/348-356, 364-368, 441-446, 188;
D13/123, 158, 162, 184, 199;
312/223.1-223.3, 351.11;
360/99.01-99.12; 369/34.01-36.01;
361/679.31-679.33, 679.37, 679.39,
361/679.46, 679.53, 679.4, 679.41, 727
CPC . G06F 1/20; G06F 1/181; G06F 1/187; G06F
1/183; G06F 1/184; G06F 1/16; H05K
7/16; H05K 7/1424; H05K 7/1409; H05K
7/20; H05K 7/20545; H05K 7/20727;
H05K 7/1425; H05K 7/1488; H05K
7/183; H05K 7/14; H05K 5/00; H05K
7/00; H05H 7/20; G11B 33/126; G11B
33/128; G11B 33/08; G11B 33/02

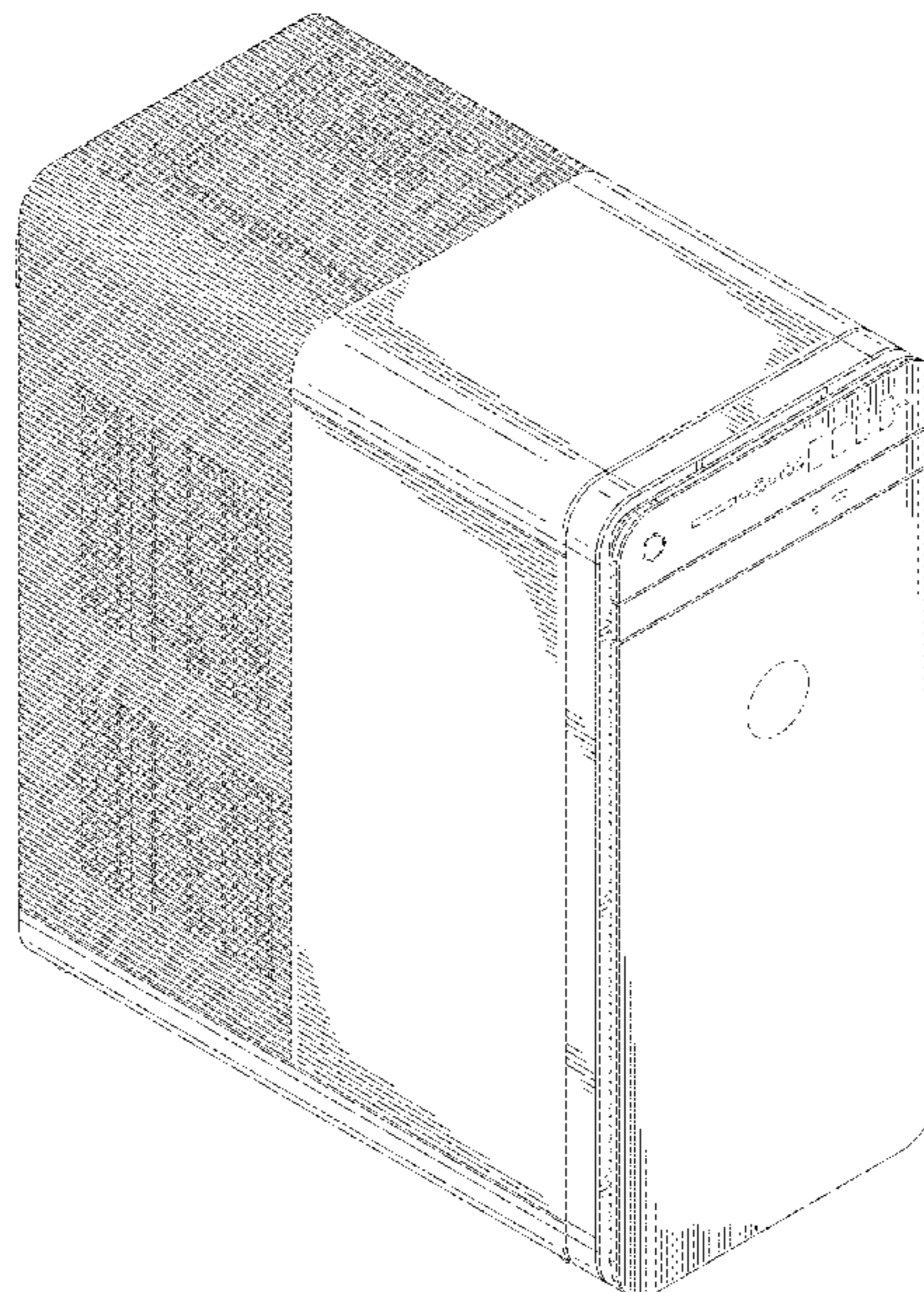
DESCRIPTION

FIG. 1 is a front perspective view of the information handling system comprising the present invention; FIG. 2 is a front view thereof; FIG. 3 is a rear view thereof; FIG. 4 is a left side view thereof; FIG. 5 is a right side view thereof; FIG. 6 is a top view thereof; and, FIG. 7 is a bottom view thereof.

Broken lines shown in the drawings illustrate portions of the information handling system, and form no part of the claimed design.

See application file for complete search history.

1 Claim, 7 Drawing Sheets



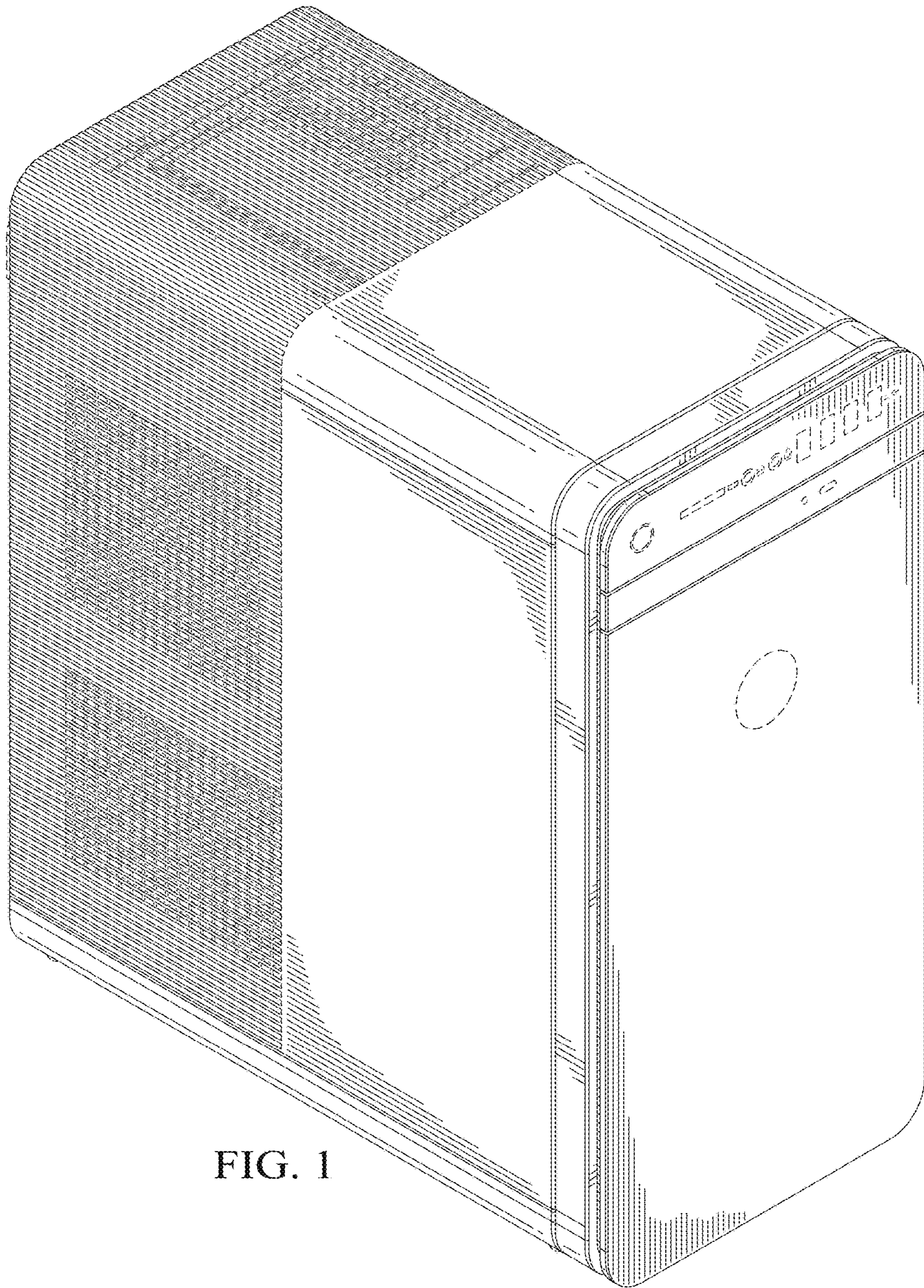


FIG. 1

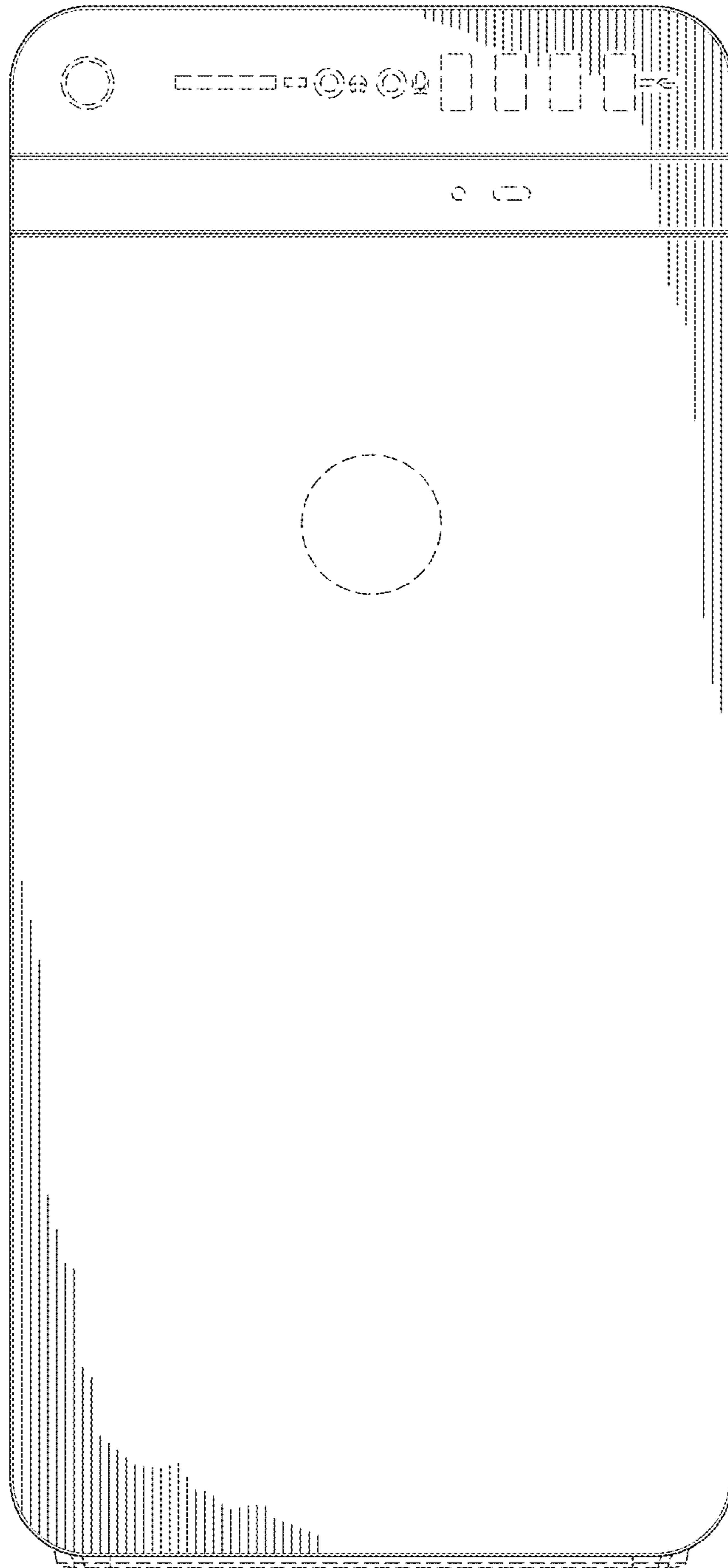


FIG. 2

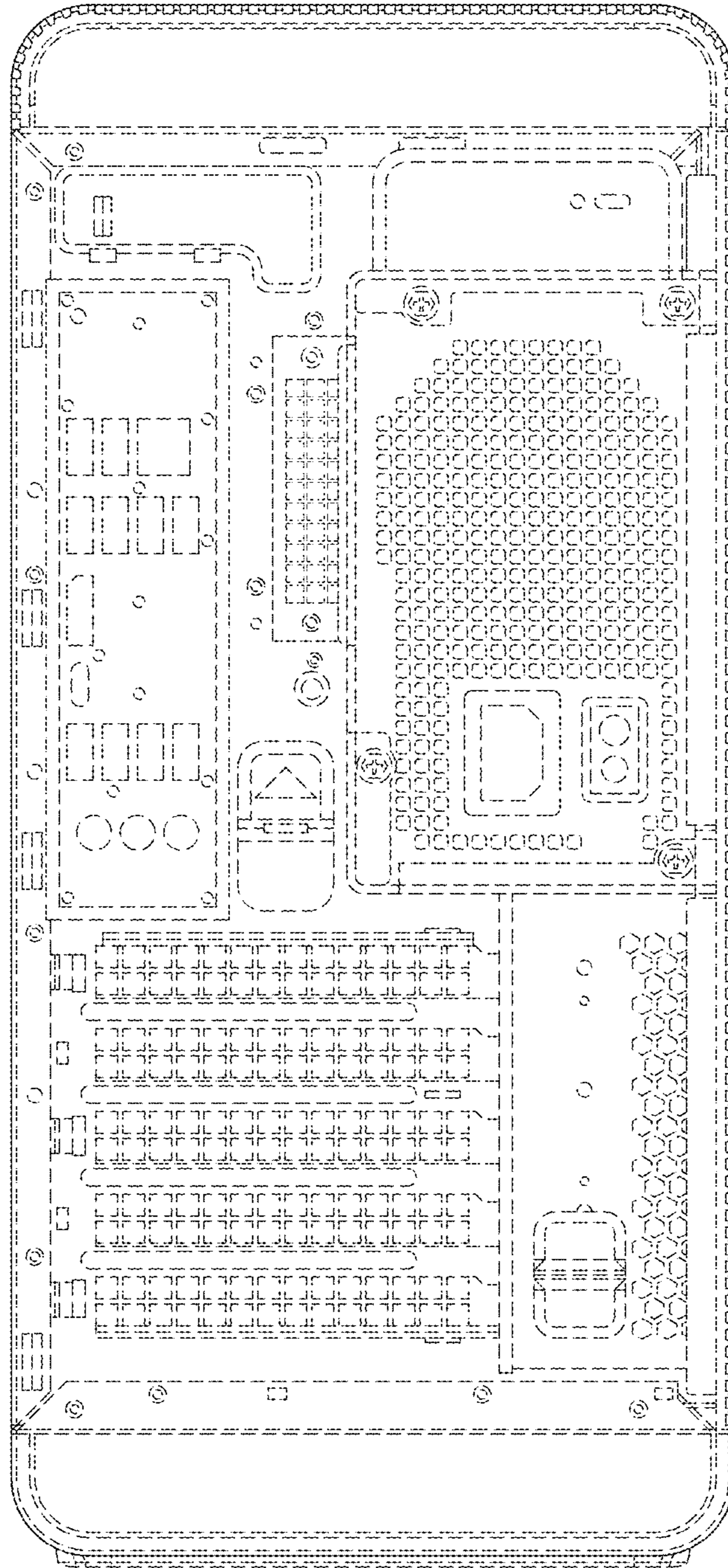


FIG. 3

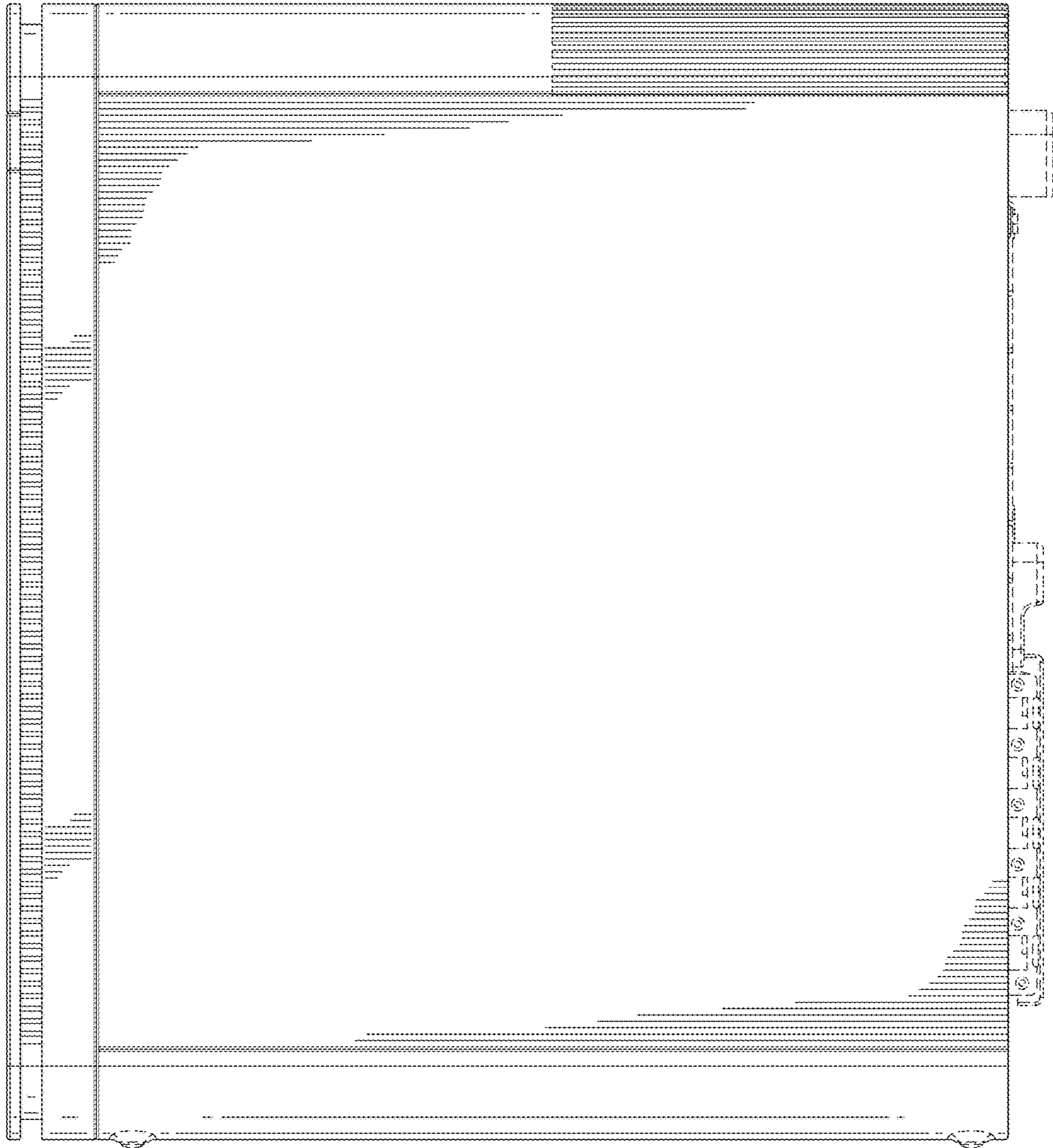


FIG. 4

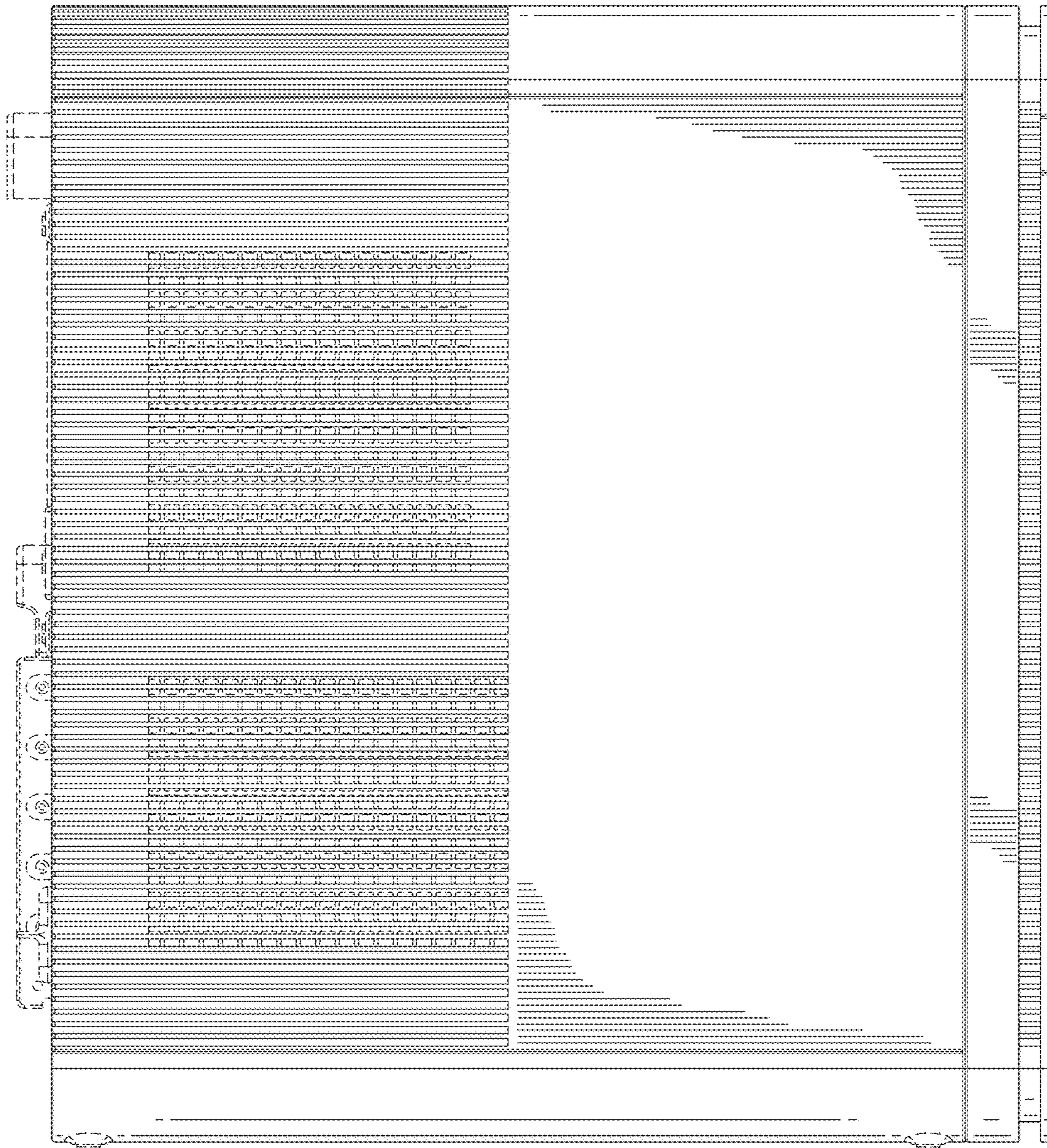


FIG. 5

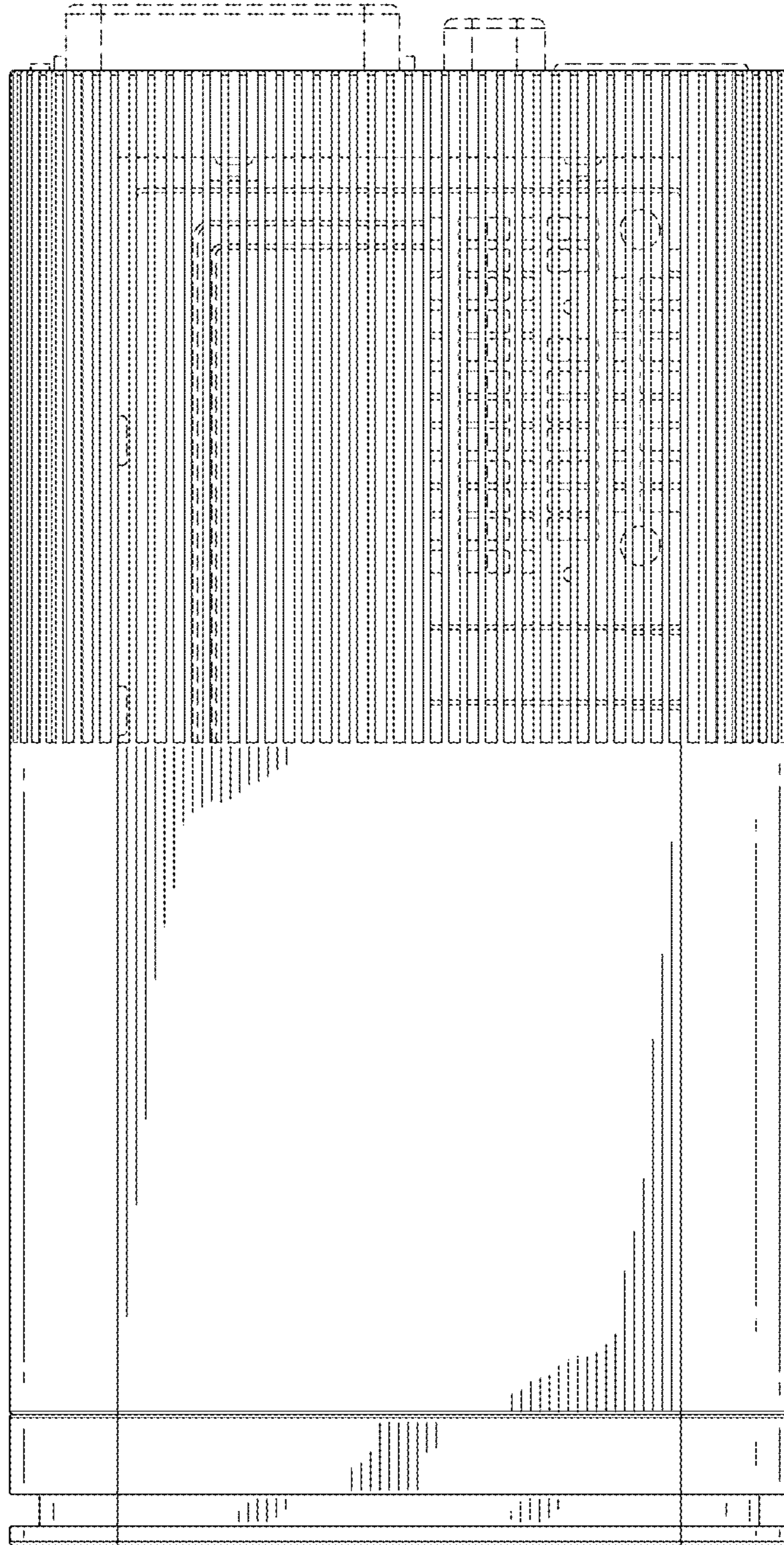


FIG. 6

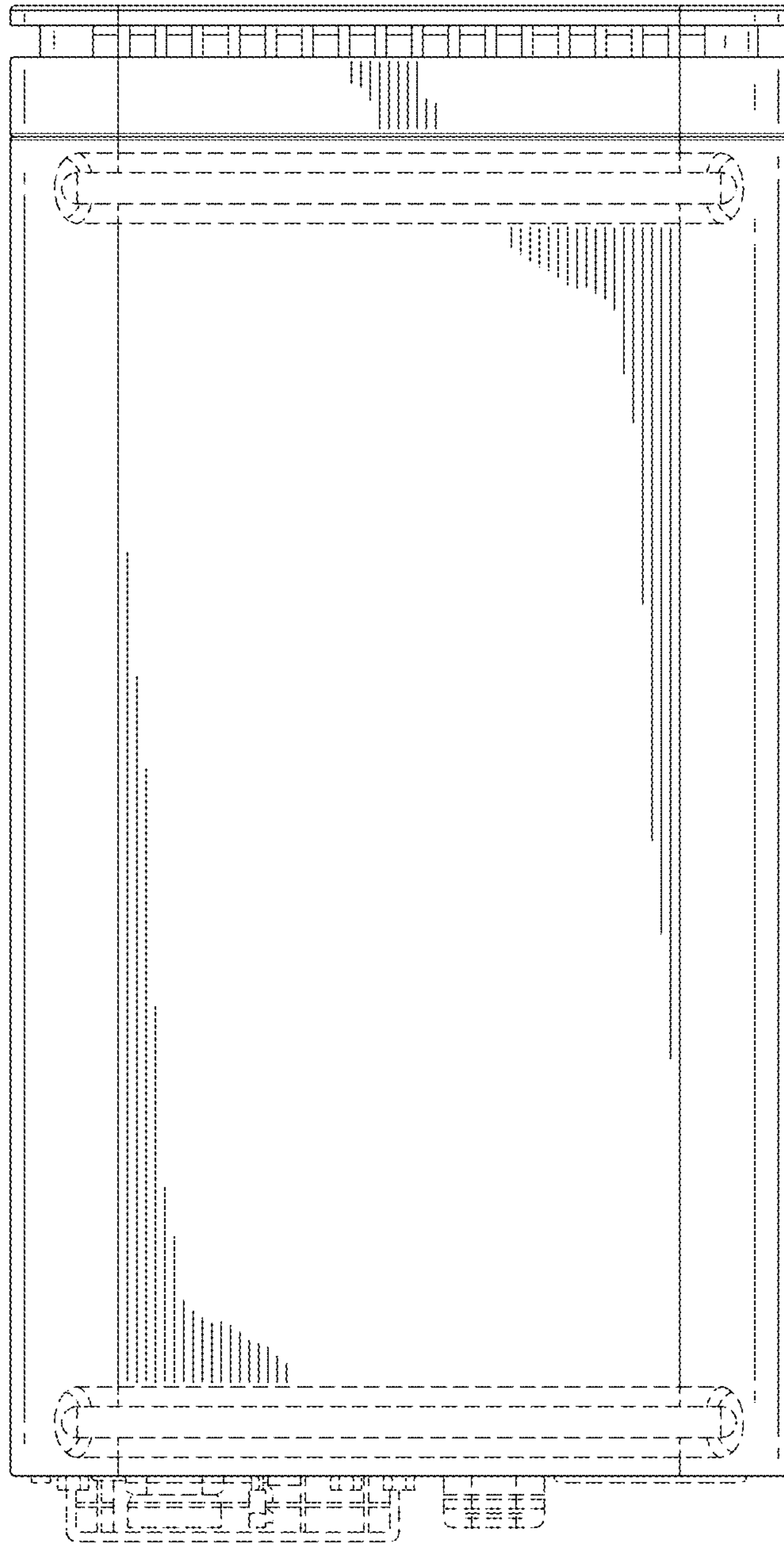


FIG. 7