



US00D794013S

(12) **United States Design Patent**  
**Heck et al.**

(10) **Patent No.:** **US D794,013 S**

(45) **Date of Patent:** **\*\* Aug. 8, 2017**

(54) **BODY-WORN PORTABLE ELECTRONIC DEVICE**

(71) Applicant: **Samsung Electronics Co., Ltd.**,  
Suwon-si, Gyeonggi-do (KR)

(72) Inventors: **Felix Heck**, London (GB); **Ju-Suek Lee**, London (GB); **Yu-Na Oh**, London (GB); **Hyun-Taik Lim**, London (GB); **Aleix Ingles**, London (GB); **Craig Morrison**, London (GB); **Maxence Couthier**, London (GB); **Ji-Eun Lee**, Seoul (KR)

(73) Assignee: **SAMSUNG ELECTRONICS CO., LTD.**, Suwon-si, Gyeonggi-Do (KR)

(\*\*) Term: **14 Years**

(21) Appl. No.: **29/521,076**

(22) Filed: **Mar. 19, 2015**

(30) **Foreign Application Priority Data**

Sep. 19, 2014 (KR) ..... 30-2014-0045550

(51) **LOC (10) Cl.** ..... **14-02**

(52) **U.S. Cl.**  
USPC ..... **D14/344**; D24/186; D11/5

(58) **Field of Classification Search**  
USPC ..... D2/623, 626, 639, 878; D8/88, 356;  
D10/30-39, 70, 98; D11/3, 87, 93-94,  
D11/200, 201, 210, 216, 218, 221,  
D11/230-231; D14/344, 138 R, 144,  
D14/358; D24/167, 169, 186-187  
CPC ..... G06F 1/163; G06F 1/1628; G06F 1/1626;  
G06F 1/1635; G06F 1/08; G06F 1/10;  
G06F 1/04; G06F 1/14; G06F 1/3203;  
A41D 1/002; H04M 1/02; H04M 1/03;  
H04M 1/04; H04M 1/05; H04M 1/667;  
H04M 1/6058; Y02B 60/1217; H04B  
1/385; H04B 1/3888; H04B 1/3833;  
A44C 5/00

See application file for complete search history.

(56) **References Cited**

U.S. PATENT DOCUMENTS

2,164,197 A \* 6/1939 Beaupre ..... A44C 5/0092  
63/11  
4,674,299 A \* 6/1987 Azar ..... A44C 13/00  
63/7  
D296,766 S \* 7/1988 Pavlovic ..... D10/32  
D435,460 S \* 12/2000 Cebe ..... D10/2  
D480,653 S \* 10/2003 Lo ..... D10/32  
D543,192 S \* 5/2007 Jung ..... D10/31

(Continued)

OTHER PUBLICATIONS

5\_wearable\_electronic\_phones\_LimCorp\_net <http://limcorp.net/2009/5-wearable-electronic-phones>.

(Continued)

*Primary Examiner* — Barbara Fox  
*Assistant Examiner* — Kristin E Reed

(74) *Attorney, Agent, or Firm* — Ladas & Parry LLP

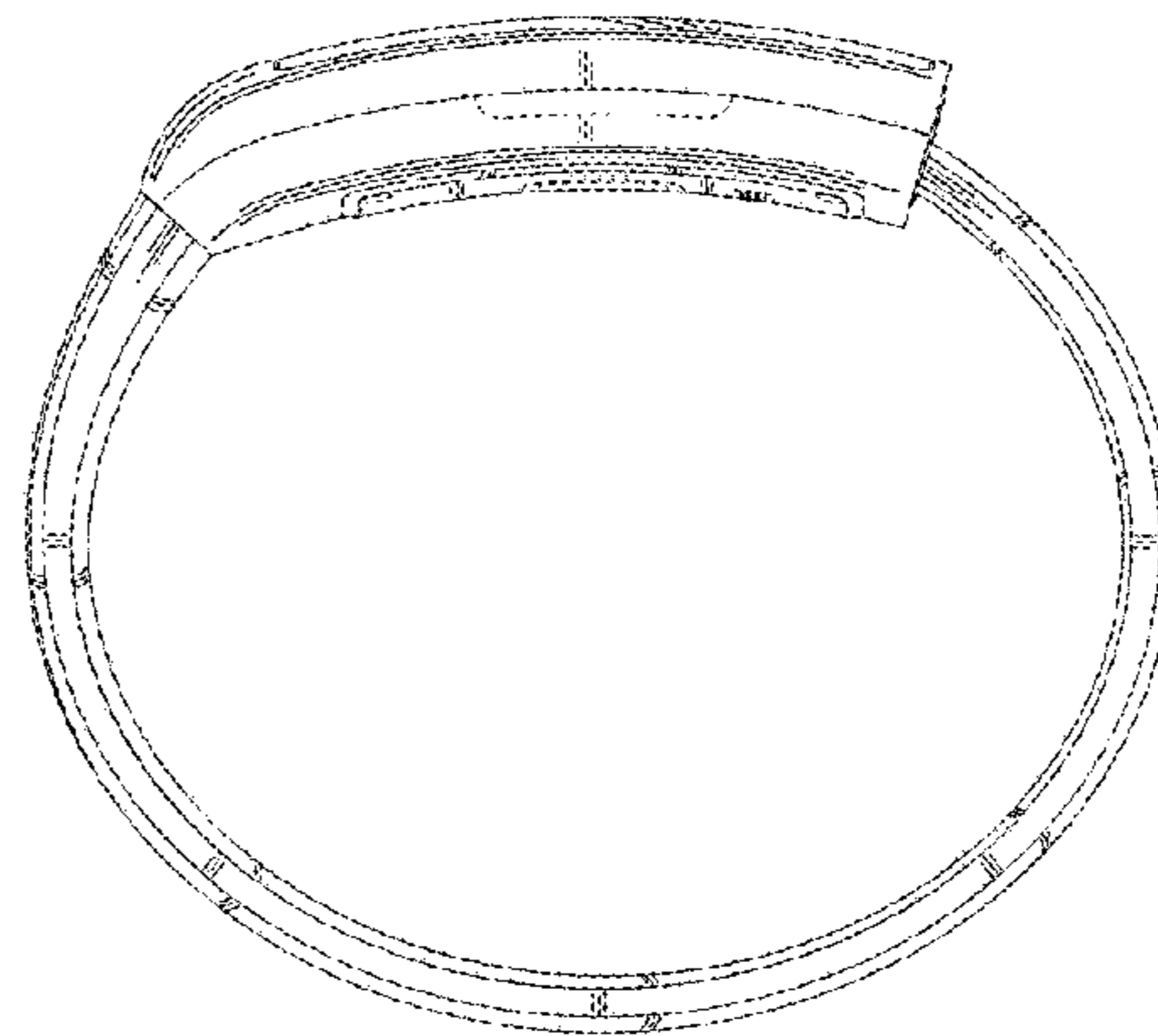
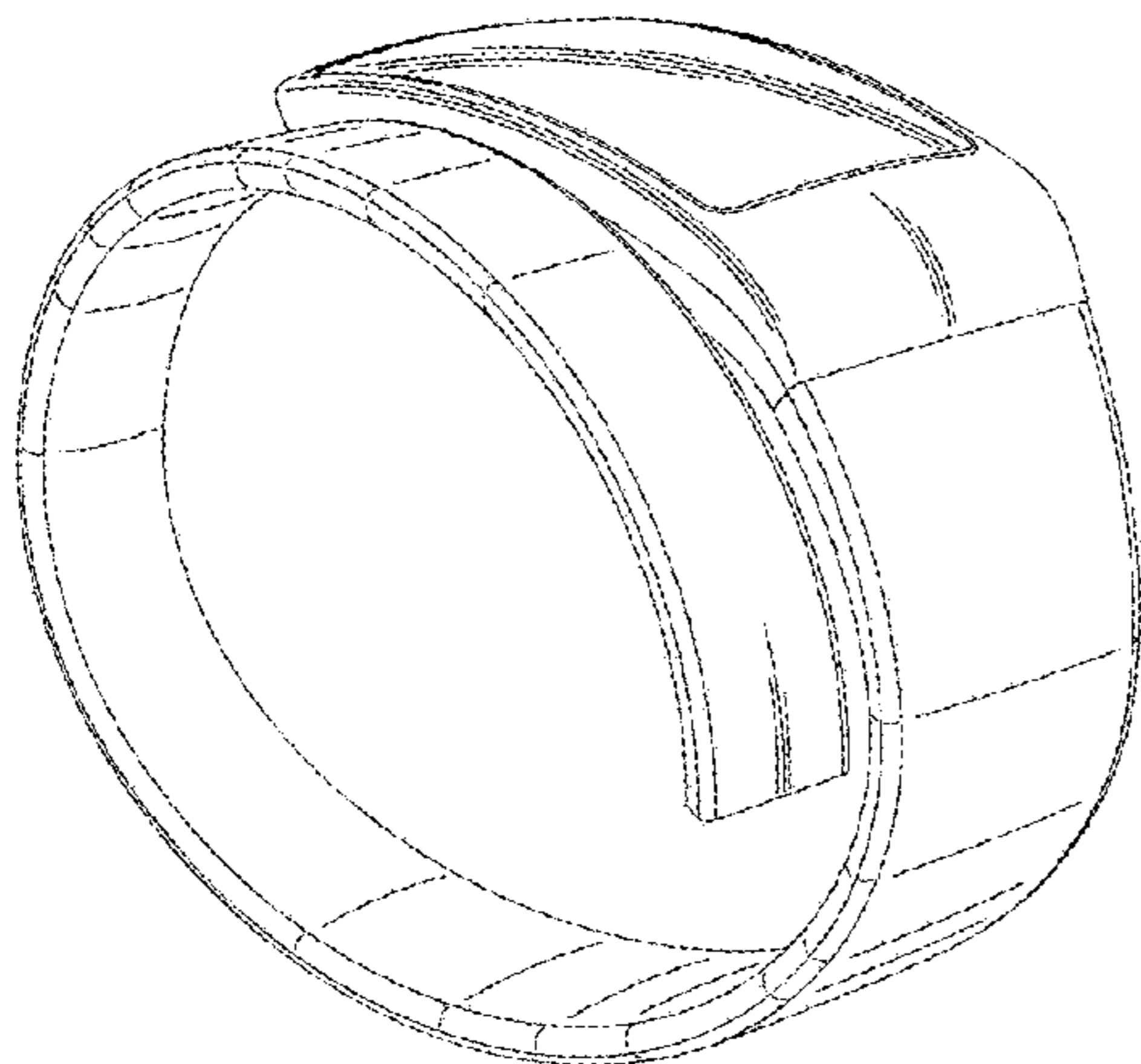
(57) **CLAIM**

The ornamental design for a body-worn portable electronic device, as shown and described.

**DESCRIPTION**

FIG. 1 is a front perspective view of a body-worn portable electronic device showing our new design;  
FIG. 2 is a front view thereof;  
FIG. 3 is a rear view thereof;  
FIG. 4 is a left-side view thereof;  
FIG. 5 is a right-side view thereof;  
FIG. 6 is a top plan view thereof; and,  
FIG. 7 is a bottom plan view thereof.  
The broken lines are shown in the drawings illustrate portions of the body-worn portable electronic device that form no part of the claimed design.

**1 Claim, 7 Drawing Sheets**



(56)

**References Cited**

U.S. PATENT DOCUMENTS

D567,110 S \* 4/2008 Pardoux ..... D10/31  
 D567,111 S \* 4/2008 Pardoux ..... D10/31  
 D576,501 S \* 9/2008 Tang ..... D10/31  
 D606,886 S \* 12/2009 Bulgari ..... D10/32  
 D632,201 S \* 2/2011 Paradis ..... D11/3  
 D640,936 S \* 7/2011 Teixeira ..... D10/32  
 D653,149 S 1/2012 Behar  
 D721,981 S \* 2/2015 Choi ..... D10/70  
 D725,068 S \* 3/2015 Cho ..... D14/138 R  
 D729,102 S \* 5/2015 Becker ..... D11/3  
 D732,994 S \* 6/2015 Wentz ..... D11/5  
 D738,236 S \* 9/2015 Song ..... D10/30  
 D750,623 S \* 3/2016 Park ..... D10/38  
 D751,549 S \* 3/2016 Park ..... D10/38  
 D752,046 S \* 3/2016 Jun ..... D14/344  
 D762,641 S \* 8/2016 Lee ..... D14/344  
 D765,244 S \* 8/2016 Jones ..... D24/133  
 2015/0237461 A1 \* 8/2015 Goyal ..... H04W 4/008  
 455/41.2  
 2015/0277489 A1 \* 10/2015 Lin ..... G06F 1/163  
 361/679.03

OTHER PUBLICATIONS

The\_LG\_LifeBand\_Touch\_And\_HeartRate\_Earphones <http://techcrunch.com/2014/06/03/the-lg-lifeband-touch-and-heart-rate-earphones-are-the-wonder-twins-of-activity-trackers/>.  
 DelightIT\_net <http://www.ddaily.co.kr/news/article.html?no=102568>.

\* cited by examiner

FIG. 1

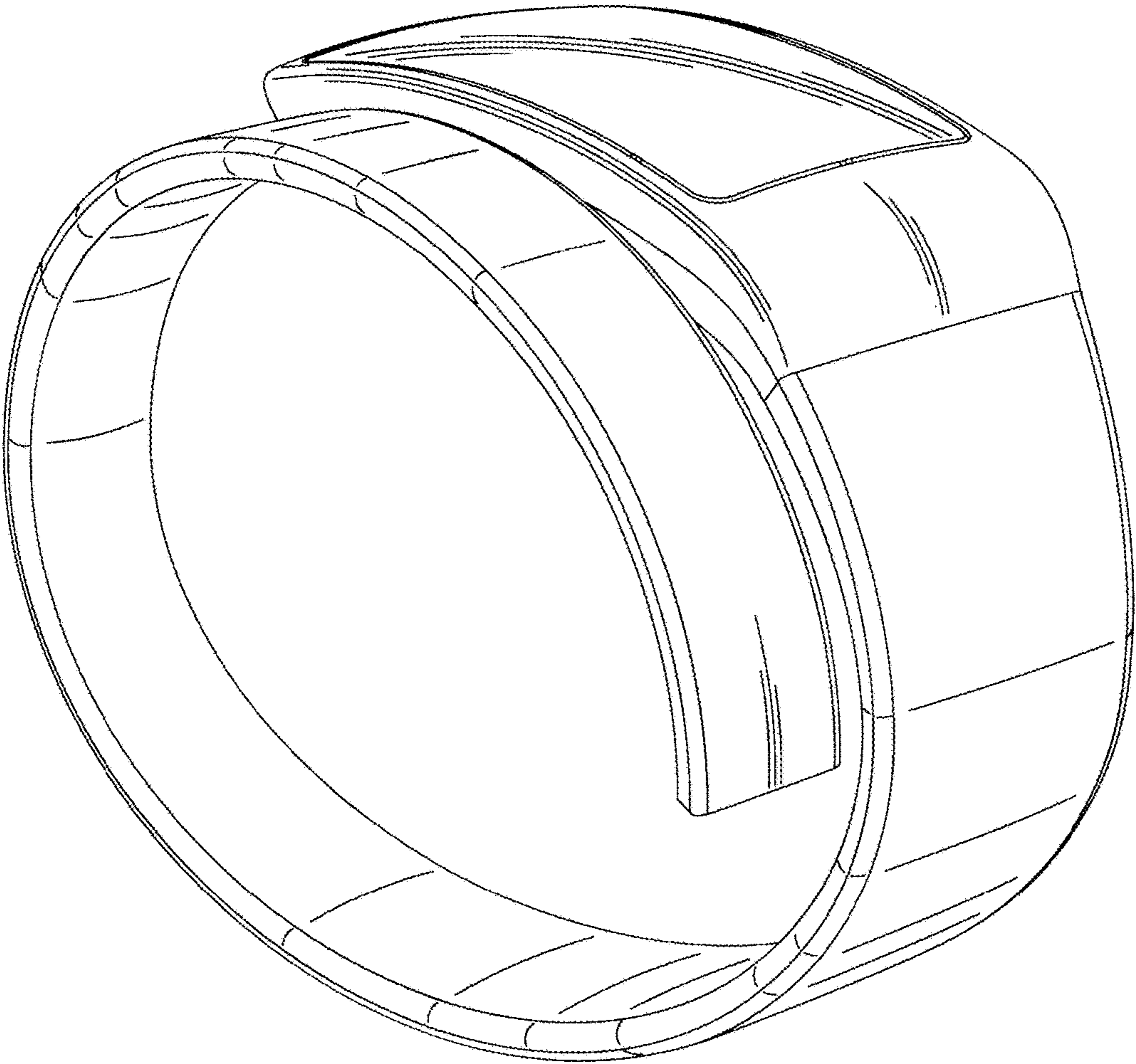


FIG. 2

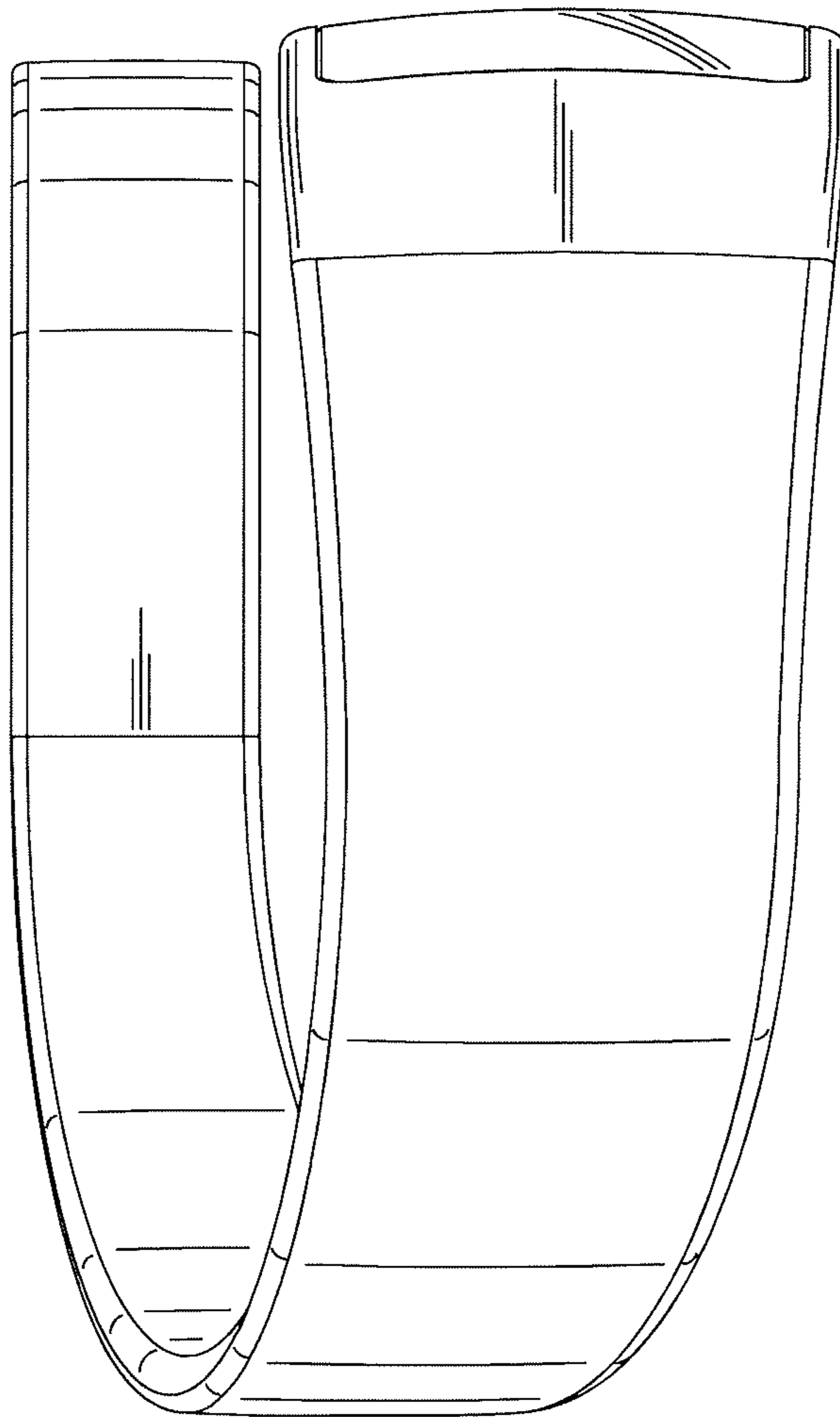


FIG. 3

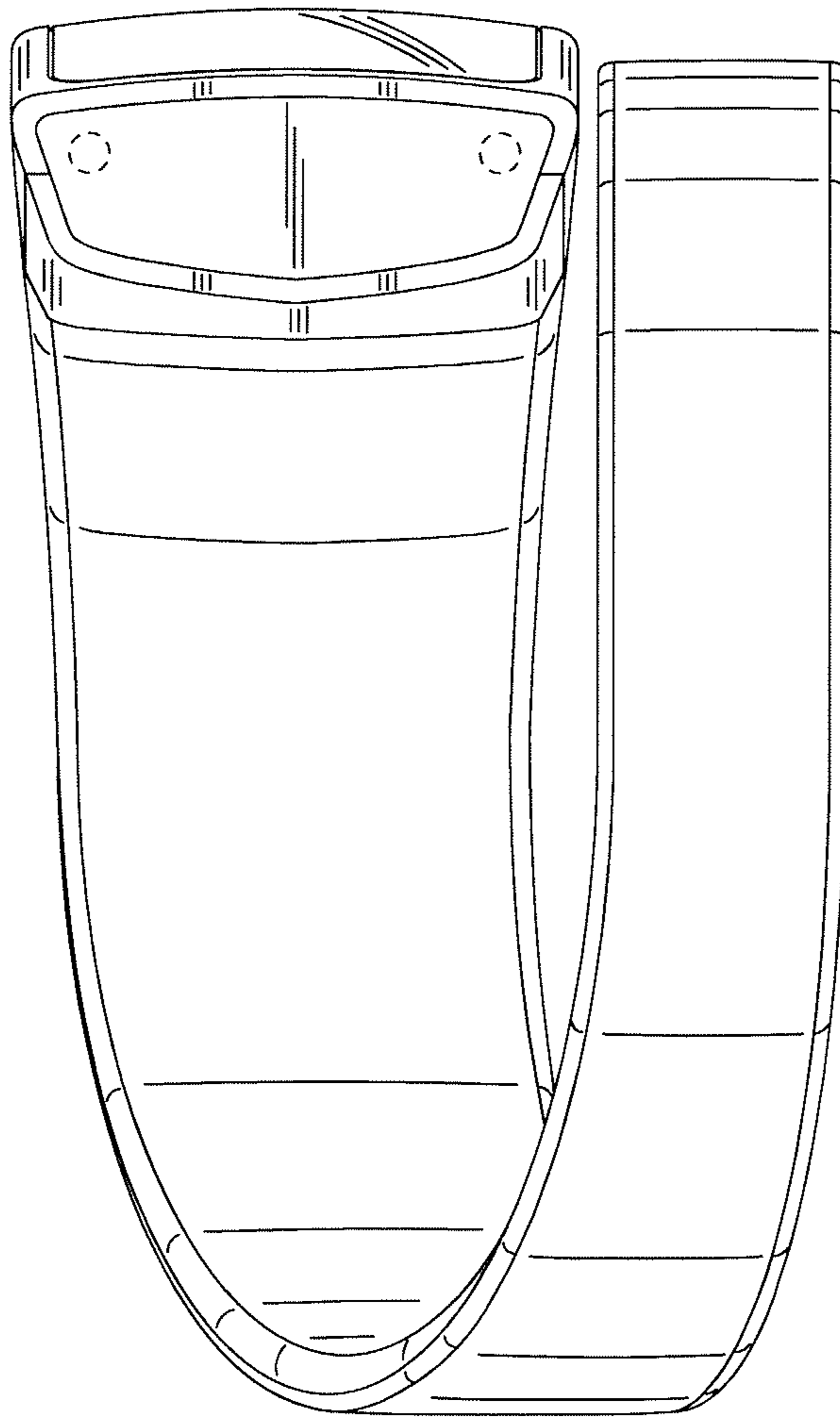




FIG. 4

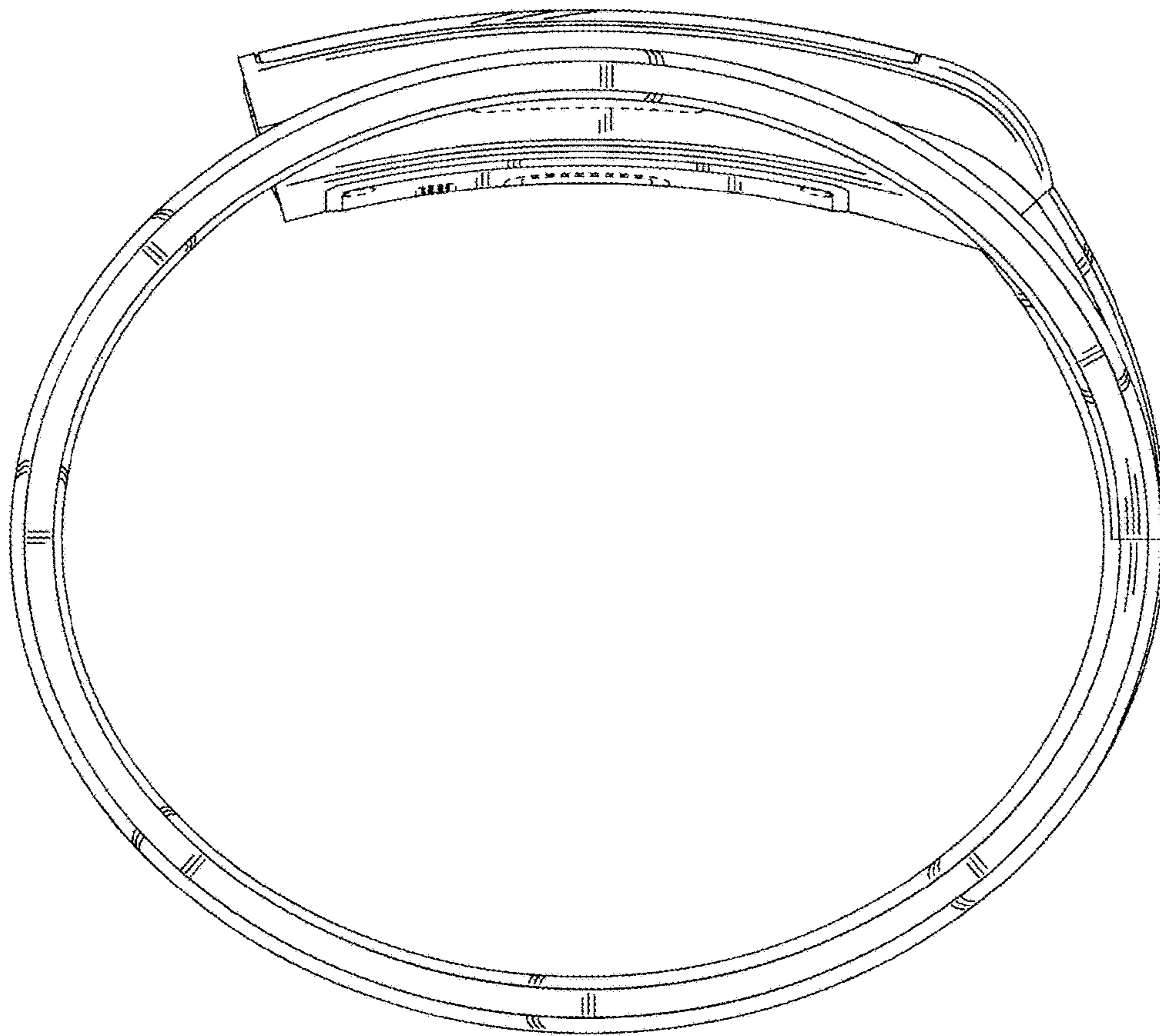


FIG. 5

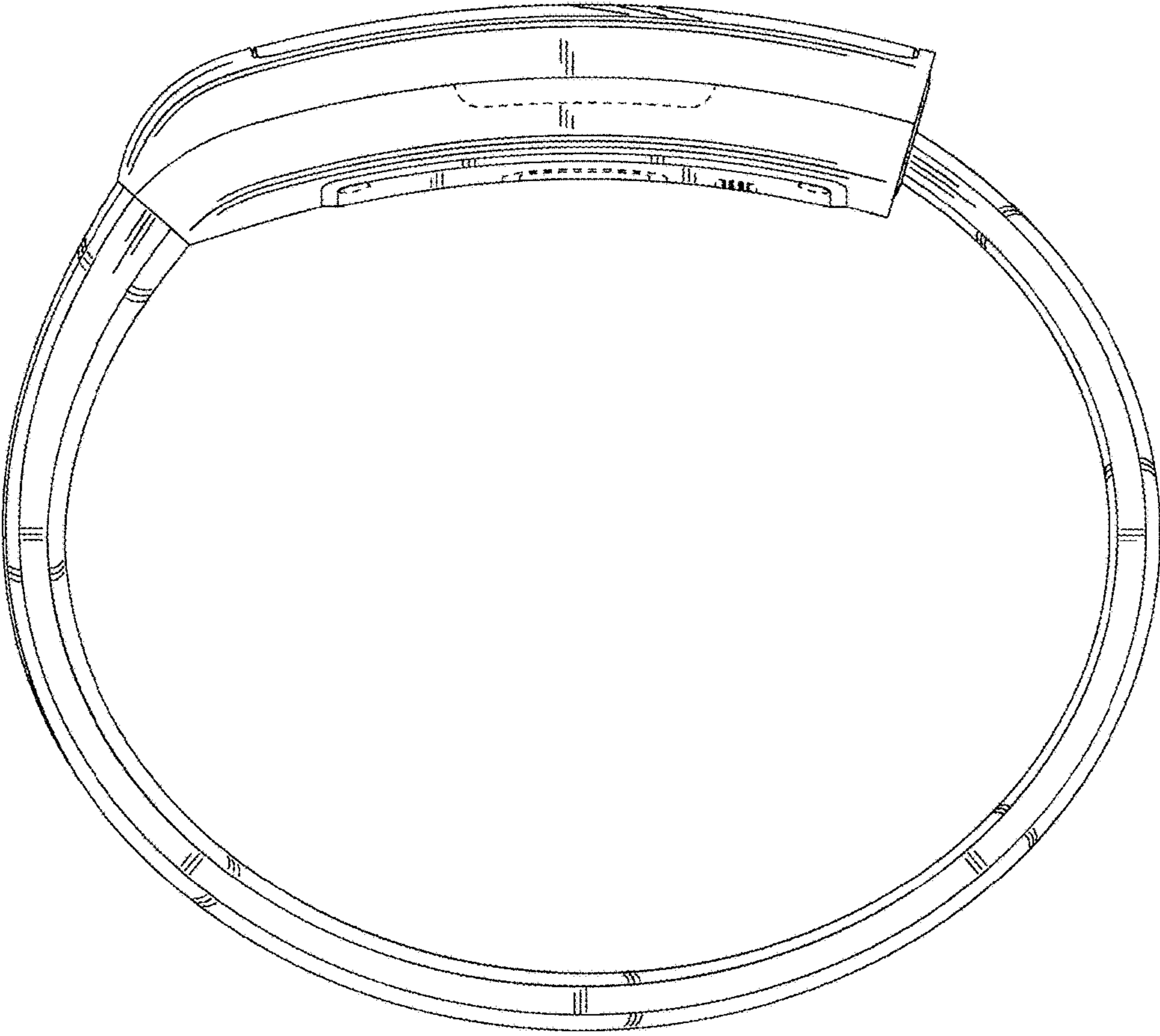


FIG. 6

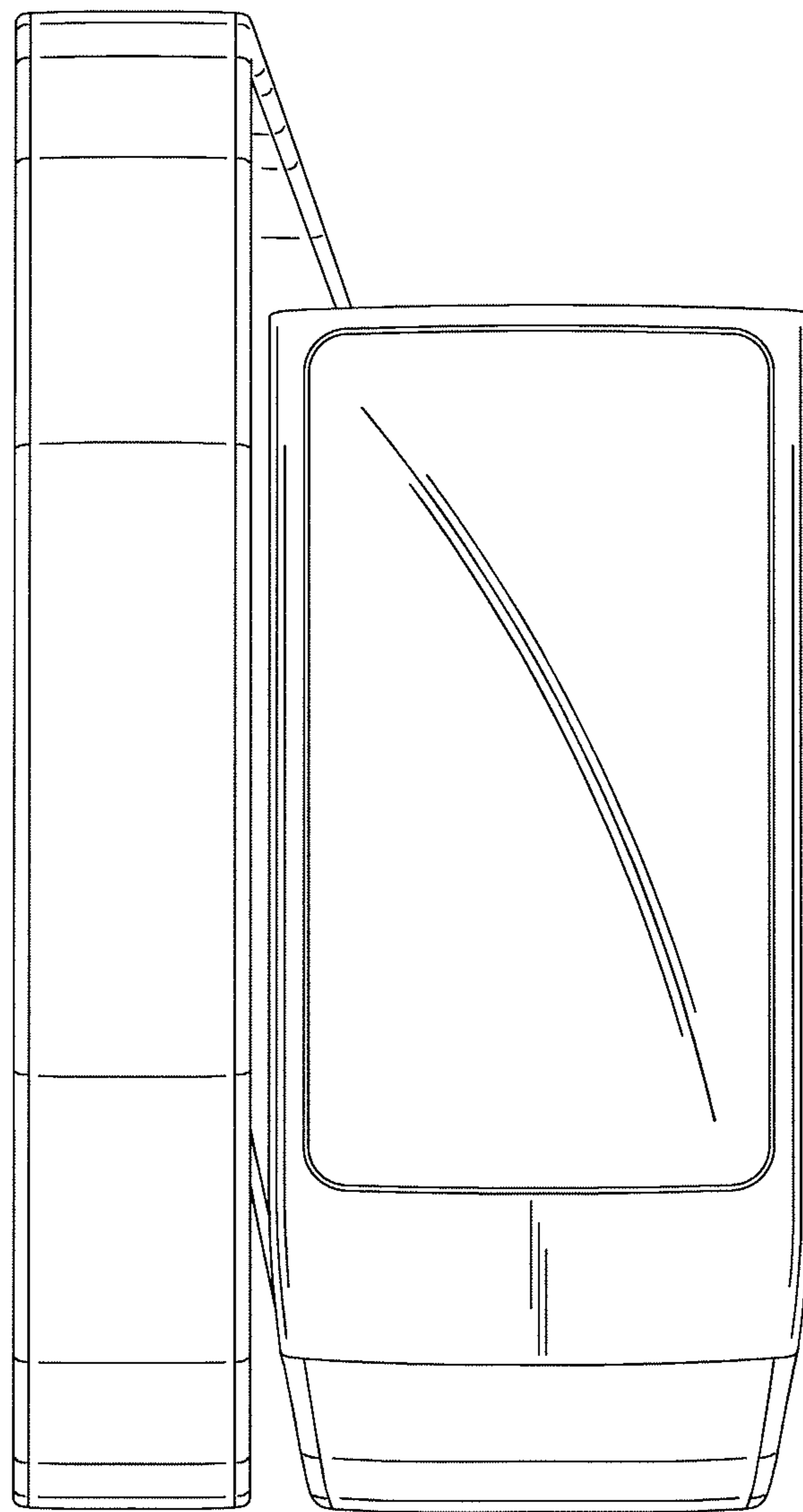




FIG. 7

