



US00D794012S

(12) **United States Design Patent**  
**Mitsugi et al.**

(10) **Patent No.:** **US D794,012 S**

(45) **Date of Patent:** **\*\* Aug. 8, 2017**

(54) **WEARABLE DEVICE**

1/385; H04B 1/3888; H04B 1/3833;  
A44C 5/00

See application file for complete search history.

(71) Applicant: **Sony Corporation**, Tokyo (JP)

(72) Inventors: **Masakazu Mitsugi**, Kanagawa (JP);  
**Yuki Sugiue**, Tokyo (JP); **Yoichi Ito**,  
Tokyo (JP); **Masaaki Yamamoto**, Chiba  
(JP); **Machiko Takematsu**, Kanagawa  
(JP); **Hiroshi Saeki**, Tokyo (JP)

(56) **References Cited**

U.S. PATENT DOCUMENTS

D235,788 S \* 7/1975 Eberhardt ..... 482/11  
5,297,121 A \* 3/1994 Sepehri ..... G04B 19/08  
368/223

(Continued)

FOREIGN PATENT DOCUMENTS

JP 2007-078670 A 3/2007

OTHER PUBLICATIONS

柄が変わる！ ?柄が変わる 柄が変わる 柄が変わる [FES Watch],  
posted Sep. 22, 2014, [retrieved Mar. 23, 2017]. Retrieved from  
Internet, <URL: <https://www.makuake.com/project/feswatch/>>.\*

(Continued)

(73) Assignee: **SONY CORPORATION**, Tokyo (JP)

(\*\*) Term: **14 Years**

(21) Appl. No.: **29/516,138**

(22) Filed: **Jan. 29, 2015**

(30) **Foreign Application Priority Data**

Sep. 3, 2014 (JP) ..... D2014-019436  
Sep. 3, 2014 (JP) ..... D2014-019437  
Sep. 4, 2014 (CN) ..... 2014 3 0326439

(51) **LOC (10) Cl.** ..... **14-02**

(52) **U.S. Cl.**  
USPC ..... **D14/344**; D10/38

(58) **Field of Classification Search**  
USPC ..... D2/623, 626, 639, 878; D8/88, 356;  
D10/30-39, 70, 98; D11/3, 87, 93-94,  
D11/200, 201, 210, 216, 218, 221,  
D11/230-231; D24/167, 169, 186-187  
CPC ..... G06F 1/163; G06F 1/1628; G06F 1/1626;  
G06F 1/1635; G06F 1/08; G06F 1/10;  
G06F 1/04; G06F 1/14; G06F 1/3203;  
A41D 1/002; H04M 1/02; H04M 1/03;  
H04M 1/04; H04M 1/05; H04M 1/667;  
H04M 1/6058; Y02B 60/1217; H04B

*Primary Examiner* — Barbara Fox  
*Assistant Examiner* — Kristin E Reed  
(74) *Attorney, Agent, or Firm* — Michael Best and  
Friedrich LLP

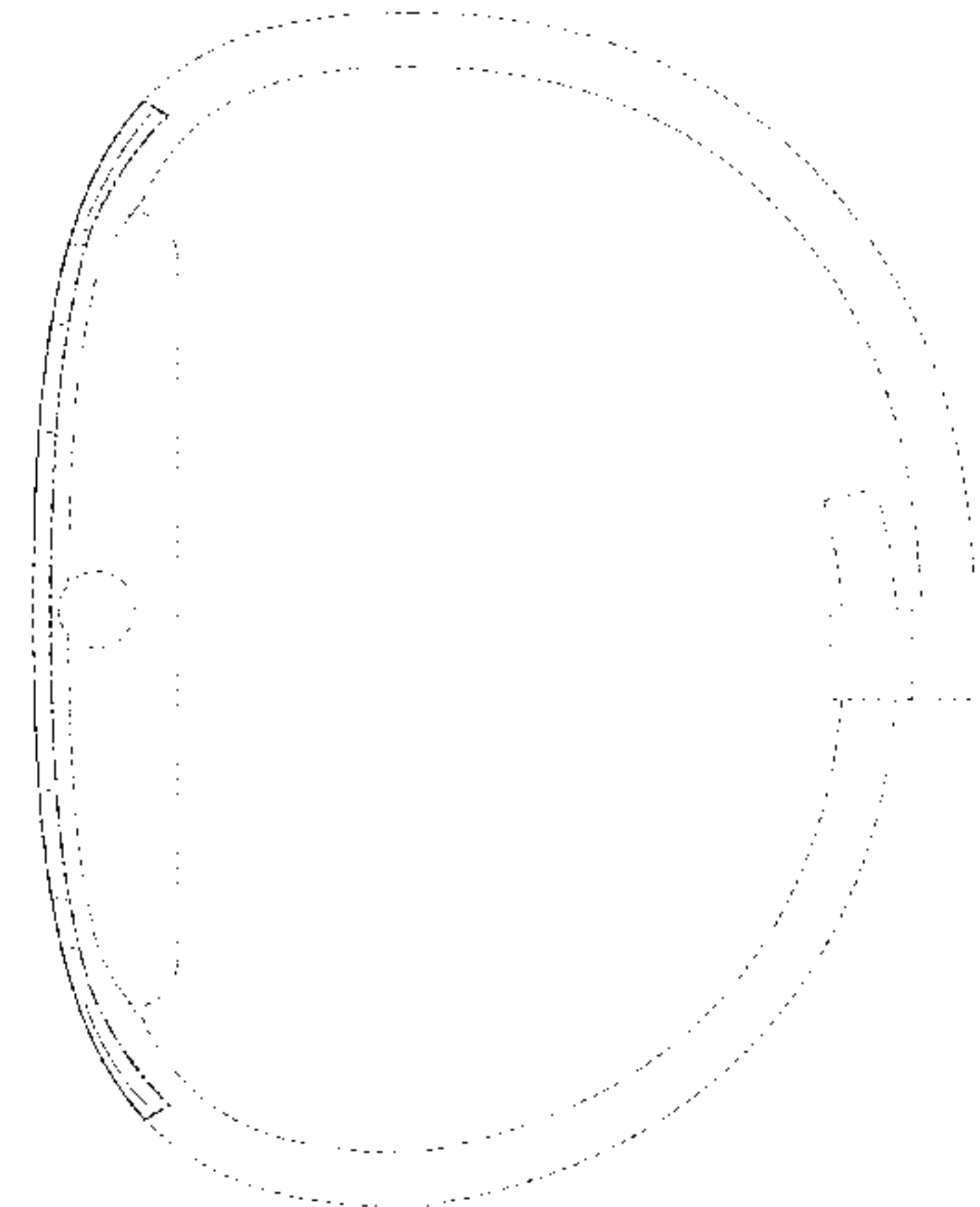
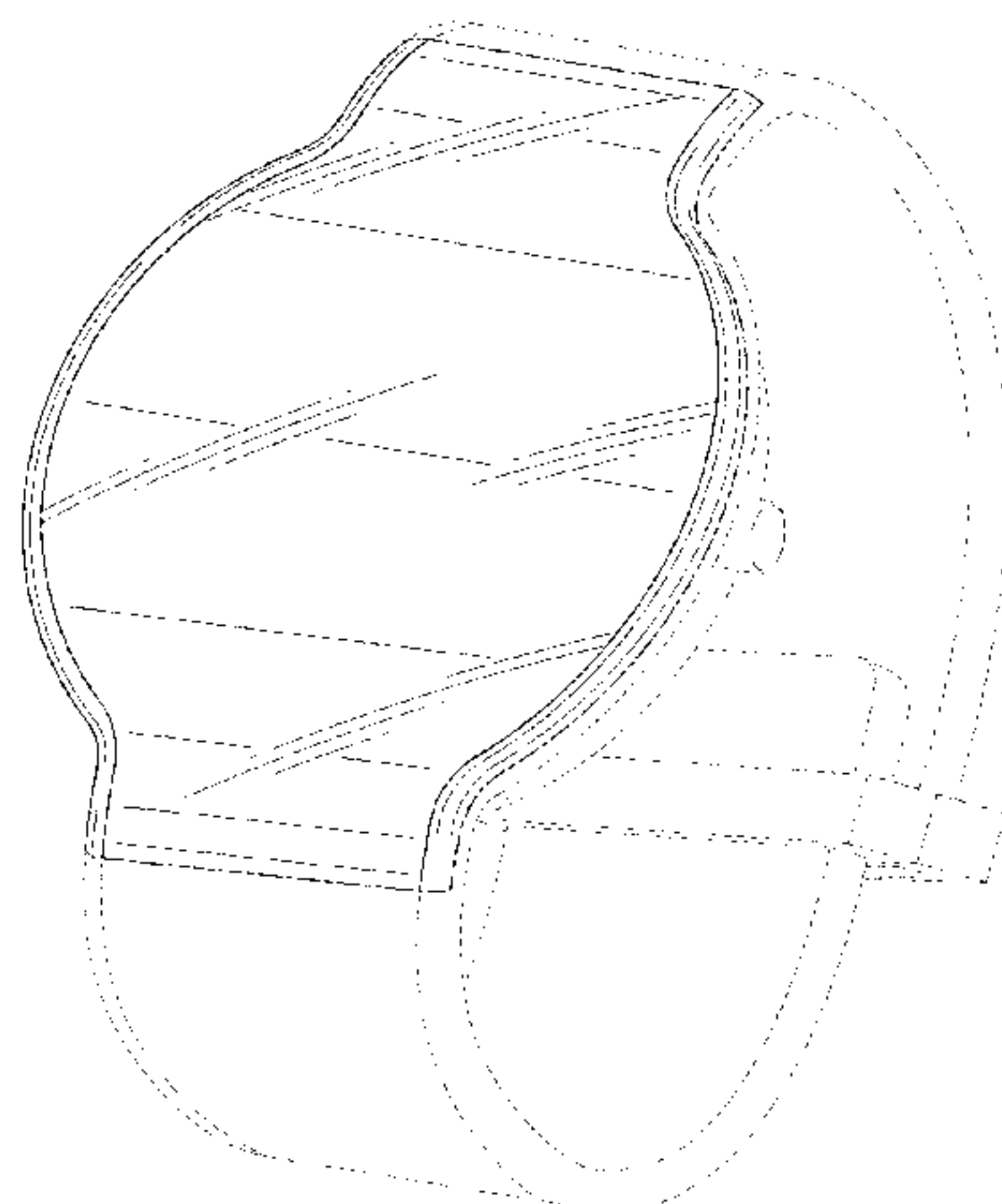
(57) **CLAIM**

The ornamental design for a wearable device, as shown and  
described.

**DESCRIPTION**

FIG. 1 is a perspective view of a wearable device showing  
our new design;  
FIG. 2 is a front elevational view thereof;  
FIG. 3 is a rear elevational view thereof;  
FIG. 4 is a left side elevational view thereof;  
FIG. 5 is a right side elevational view thereof;  
FIG. 6 is a top plan view thereof; and,  
FIG. 7 is a bottom plan view thereof.  
The dash-dash broken lines illustrate portions of the wear-  
able device and form no part of the claimed design. The

(Continued)



dot-dash broken lines define the boundaries of, but are not included in, the claimed design.

**1 Claim, 4 Drawing Sheets**

(56)

**References Cited**

U.S. PATENT DOCUMENTS

D361,042	S	*	8/1995	Nanayakkara	.....	D10/30
D368,433	S	*	4/1996	Schulze	.....	D10/30
D413,530	S	*	9/1999	Flury	.....	D10/32
D503,894	S	*	4/2005	Tu	.....	D10/30
D513,997	S	*	1/2006	Wilson	.....	D10/30
D528,928	S	*	9/2006	Burton	.....	D10/38
D559,125	S	*	1/2008	Figueiredo	.....	D10/38
D581,811	S	*	12/2008	Messmer	.....	D10/32
D588,472	S	*	3/2009	Messmer	.....	D10/32
D631,373	S	*	1/2011	Mikkelsen	.....	D10/32
D638,725	S	*	5/2011	Morrison	.....	D10/39
D640,948	S	*	7/2011	Quigley	.....	87/1
D645,360	S	*	9/2011	Kiser	.....	D10/32
D653,968	S	*	2/2012	Blank	.....	D10/32
D653,969	S	*	2/2012	Jorst	.....	D10/38
D672,667	S	*	12/2012	Mix	.....	D10/65
D687,736	S	*	8/2013	Wycoff	.....	D11/3
D695,749	S		12/2013	Hirano		
D701,504	S	*	3/2014	Christopher	.....	D14/344
D709,873	S	*	7/2014	Aumiller	.....	D14/344
D709,874	S	*	7/2014	Aumiller	.....	D14/344
D709,875	S	*	7/2014	Aumiller	.....	D14/344

D710,570	S	*	8/2014	Zieth	.....	D2/625
D711,872	S	*	8/2014	Aumiller	.....	D14/344
D719,123	S	*	12/2014	Park	.....	D10/38
D724,047	S	*	3/2015	Kim	.....	D10/38
D729,654	S	*	5/2015	Nuovo	.....	D10/103
D731,455	S	*	6/2015	Park	.....	D10/38
D734,331	S	*	7/2015	Wu	.....	D14/344
D738,748	S	*	9/2015	Bibl	.....	D10/32
D738,749	S	*	9/2015	Bibl	.....	D10/32
D749,965	S	*	2/2016	Lutgen	.....	D10/126
D752,579	S	*	3/2016	Lee	.....	D14/344
D759,622	S	*	6/2016	Dahlberg	.....	D10/32
D765,072	S	*	8/2016	Kwon	.....	D10/38
D781,852	S	*	3/2017	Yu	.....	D14/344

OTHER PUBLICATIONS

Sony FES Watch Re-Introduces You to E-Ink, posted Nov. 28, 2014, [retrieved Mar. 23, 2017]. Retrieved from Internet, <URL: <http://www.ablogtowatch.com/sony-fes-watch-re-introduces-e-ink/>>.\*

[GadgetStyle] Touch Skin OLED Watch, die Chameleon-Uhr, posted Jul. 28, 2012, [retrieved Mar. 23, 2017]. Retrieved from Internet, <URL: <http://www.techfieber.de/2012/07/28/gadgetstyle-touch-skin-die-chameleon-uhr/>>.\*

Apple's iWatch expected to be even bigger than the iPad in its first year, posted Jun. 10, 2014, [retrieved Mar. 23, 2017]. Retrieved from Internet, <URL: <http://bgr.com/2014/06/10/apple-iwatch-price-and-launch/>>.\*

Decision on Appeal No. 2015-15754 issued in Japanese Application No. D2014-019437, dated Jan. 19, 2016.

\* cited by examiner

FIG.1

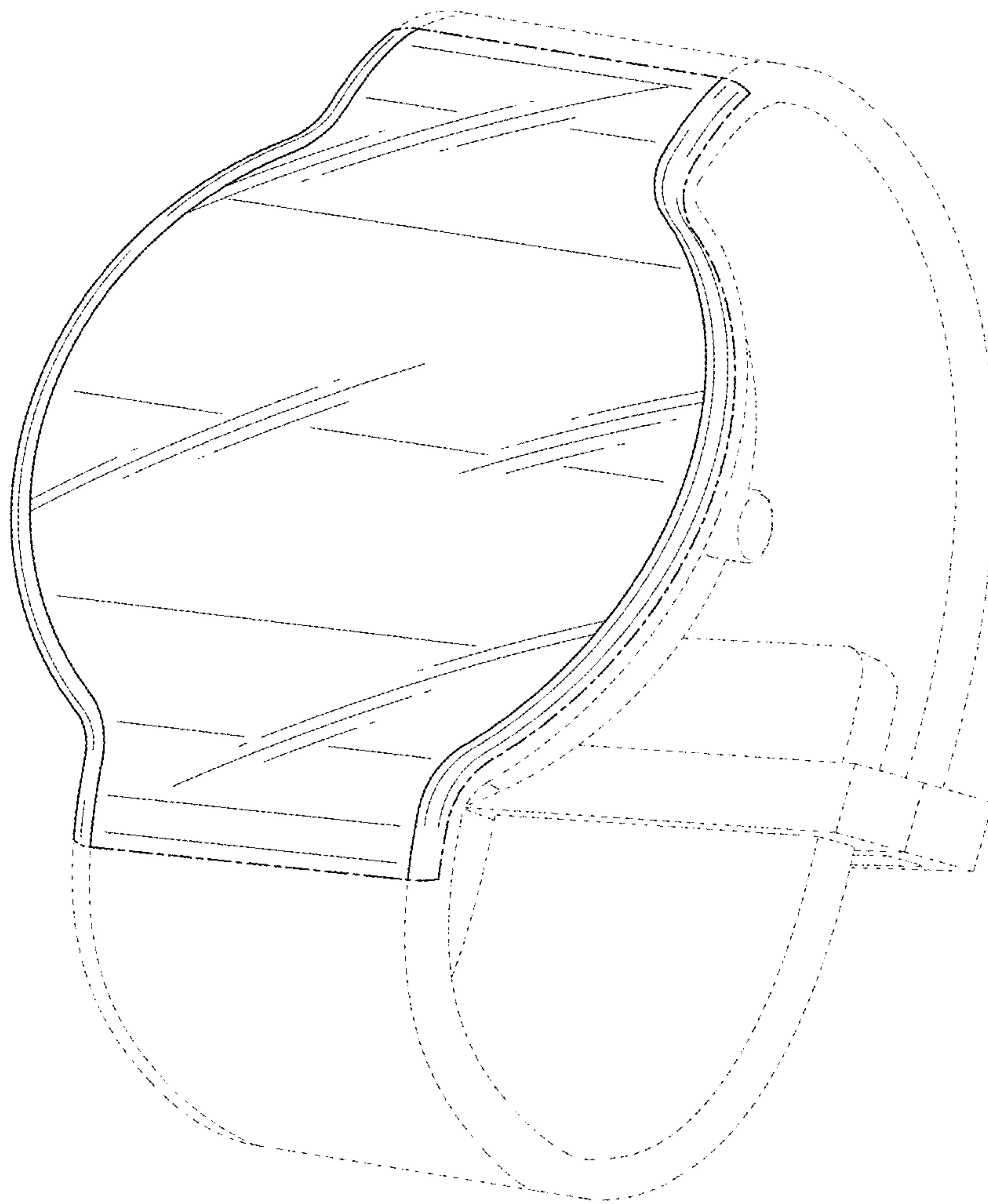


FIG.3

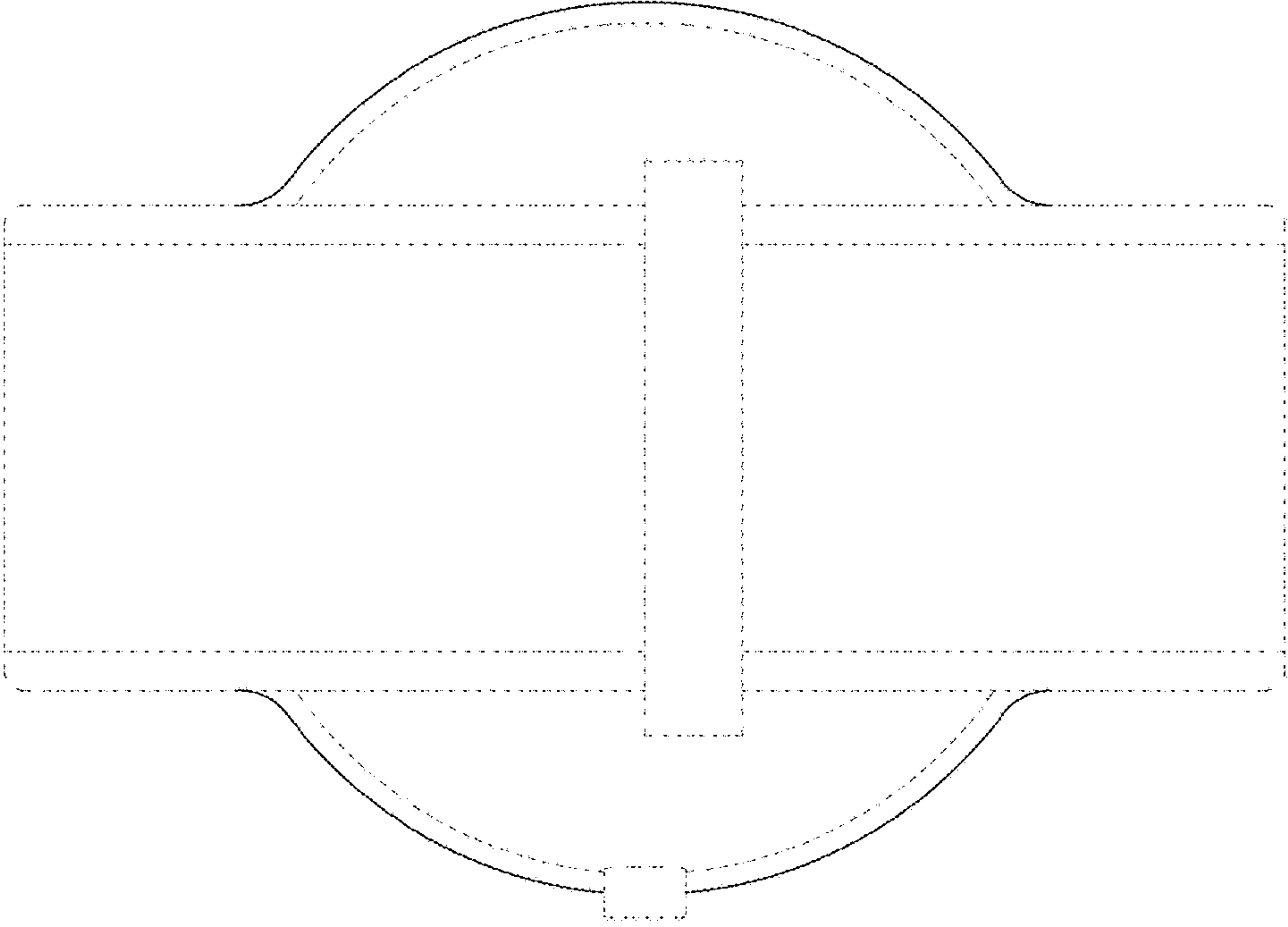


FIG.2

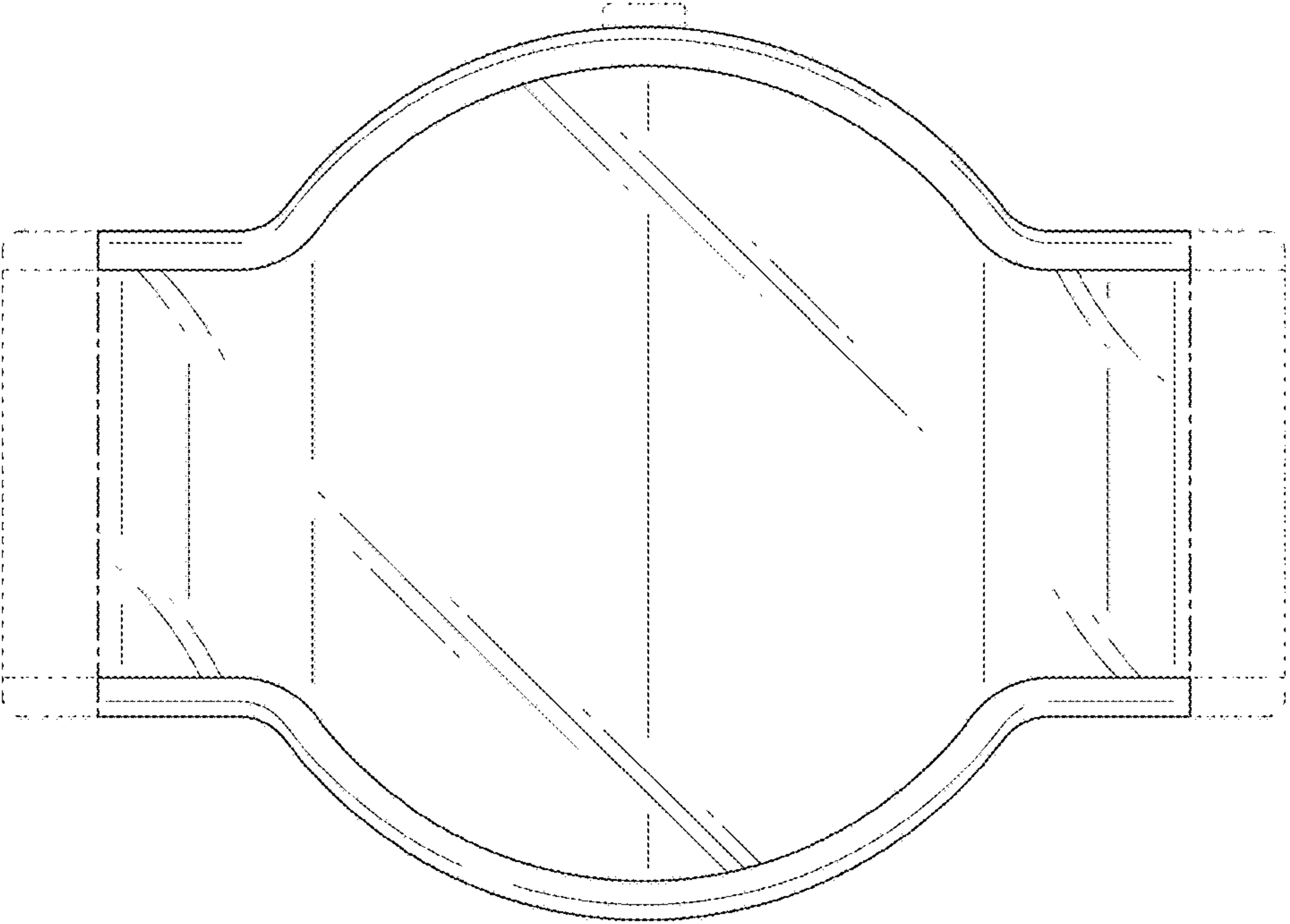


FIG.5

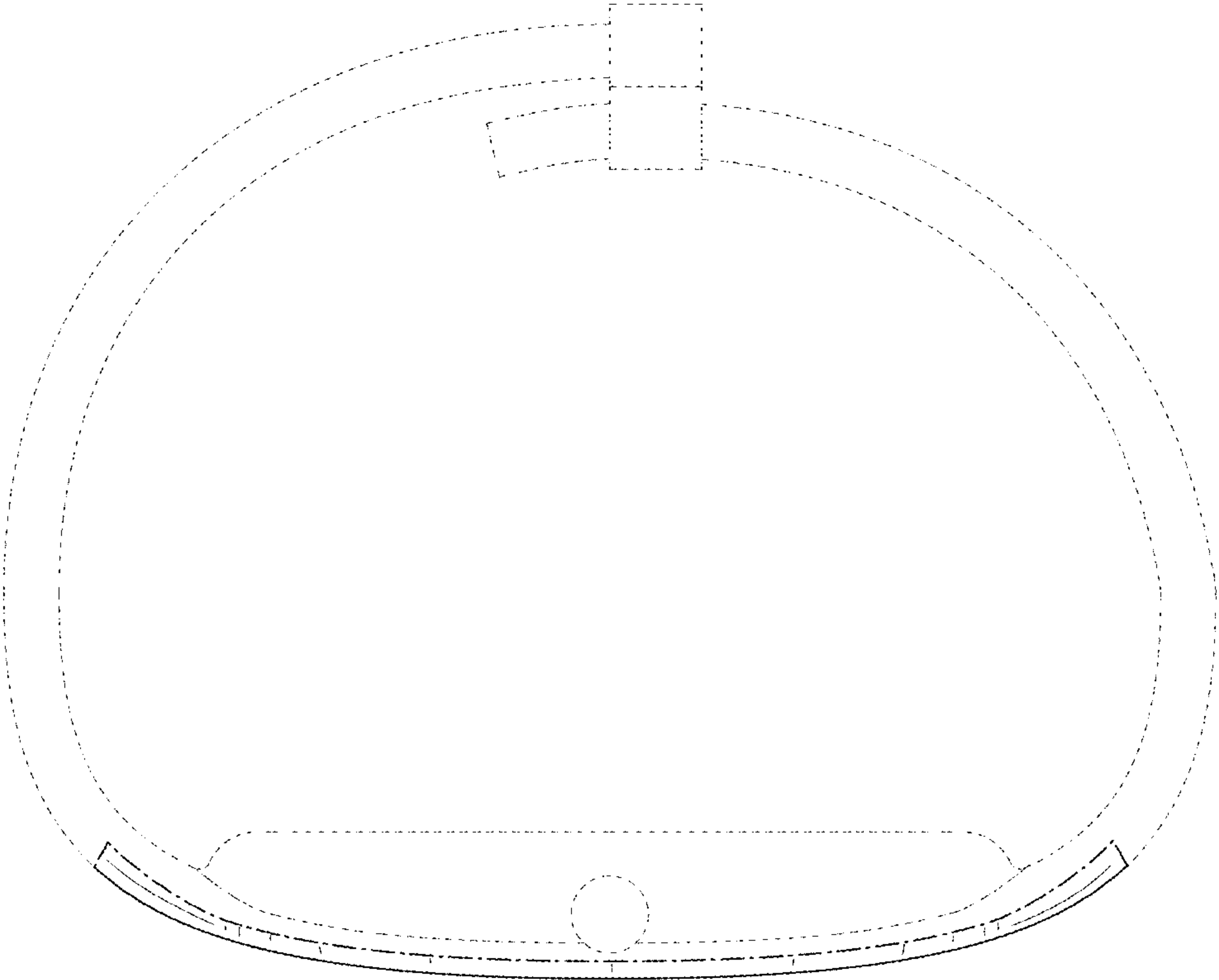


FIG.4

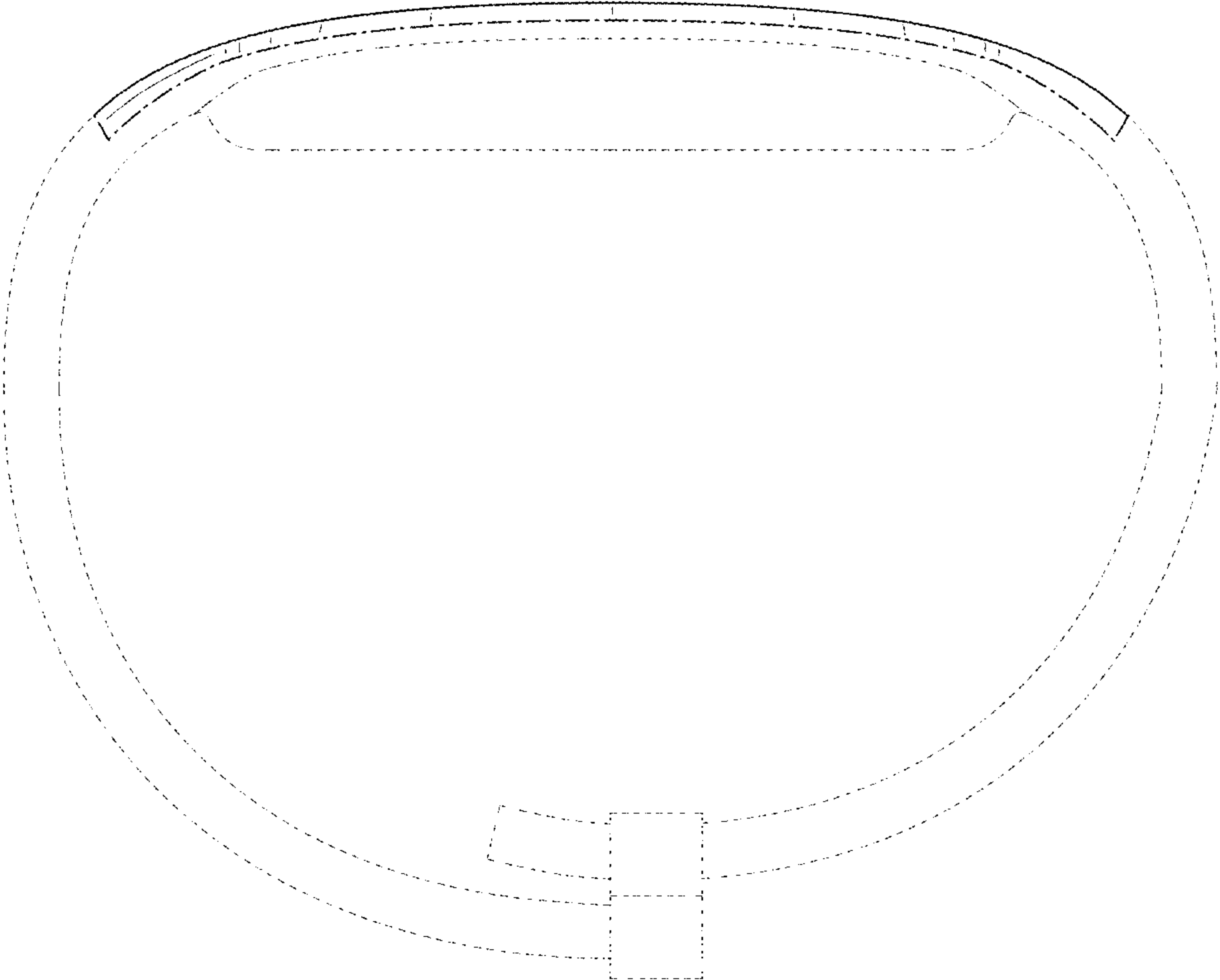




FIG.7

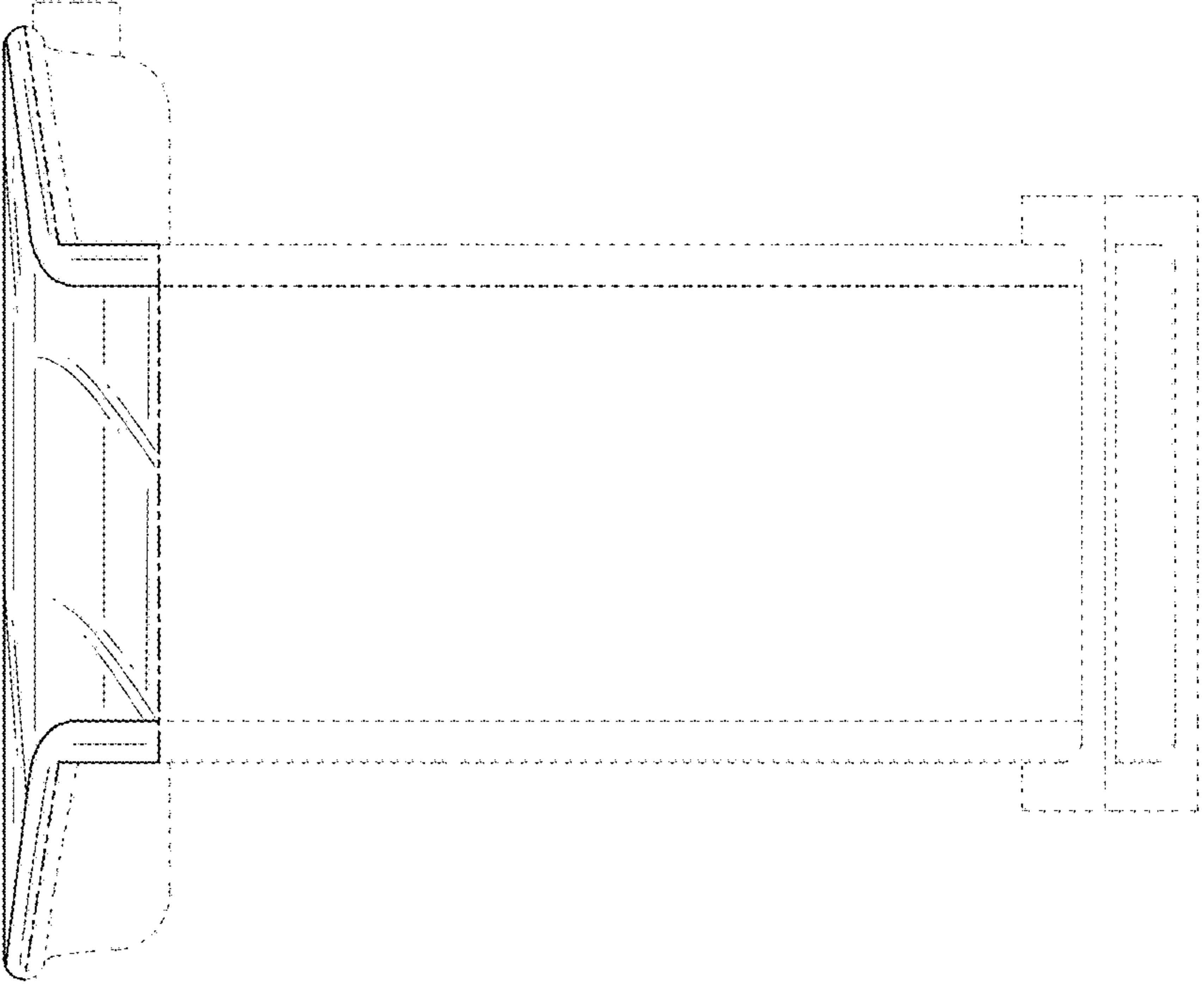


FIG.6

