



US00D794007S

(12) **United States Design Patent**
Zhang

(10) **Patent No.:** **US D794,007 S**

(45) **Date of Patent:** **** Aug. 8, 2017**

(54) **PHONE CASE**

(71) Applicant: **Yu Long Zhang**, Brooklyn, NY (US)

(72) Inventor: **Yu Long Zhang**, Brooklyn, NY (US)

(**) Term: **15 Years**

(21) Appl. No.: **29/561,984**

(22) Filed: **Apr. 21, 2016**

(51) **LOC (10) Cl.** **14-03**

(52) **U.S. Cl.**
USPC **D14/250**

(58) **Field of Classification Search**
USPC D14/238.1, 440, 203.3-203.7, 217, 240,
D14/447, 250, 251-253, 248; D3/201,
D3/218, 247, 269, 273, 301, 303;
D13/103, 107-108, 119
CPC H04B 1/3888; H04M 1/0283; H04M
1/0202; A45C 1/06; A45C 2011/002;
A45C 11/00; A45C 13/02; A45F
2005/026; A45F 2200/0525; A45F
2200/0516

See application file for complete search history.

(56) **References Cited**

U.S. PATENT DOCUMENTS

D641,154 S *	7/2011	Smith	D3/218
D675,197 S *	1/2013	Losiewicz	D14/250
D679,685 S *	4/2013	Cox	D14/250
D686,606 S *	7/2013	Hong	D14/250
D689,852 S *	9/2013	Azoulay	D14/250
D705,767 S *	5/2014	Yoon	D14/250
D711,361 S *	8/2014	Requa	D14/250
D719,949 S *	12/2014	Tussy	D14/250
D721,064 S *	1/2015	Sun	D14/250
D721,072 S *	1/2015	Laffon de Mazieres	D14/250
D723,569 S *	3/2015	Peng	D14/440
D725,659 S *	3/2015	Tussy	D14/440

D738,872 S *	9/2015	Erickson-Davis	D14/250
D745,507 S *	12/2015	Adami	D14/250
D749,592 S *	2/2016	Huang	D14/440
D777,160 S *	1/2017	Kim	D14/250
D777,162 S *	1/2017	Erickson-Davis	D14/250
2014/0152034 A1 *	6/2014	Tussy	F16M 13/04 294/142
2015/0201743 A1 *	7/2015	Erickson-Davis	A45F 5/00 224/218

* cited by examiner

Primary Examiner — Carla Jobe Wright

(74) *Attorney, Agent, or Firm* — Gary E. Lambert; David J. Connaughton, Jr.; Lambert & Associates

(57) **CLAIM**

The ornamental design for a phone case, as shown and described.

DESCRIPTION

FIG. 1 is a front isometric view of a phone case which embodies my new design;

FIG. 2 is a back isometric view of the phone case;

FIG. 3 is a front elevational view of the phone case;

FIG. 4 is a back elevational view of the phone case;

FIG. 5 is a right-side view of the phone case;

FIG. 6 is a left-side view of the phone case;

FIG. 7 is a top plan view of the phone case;

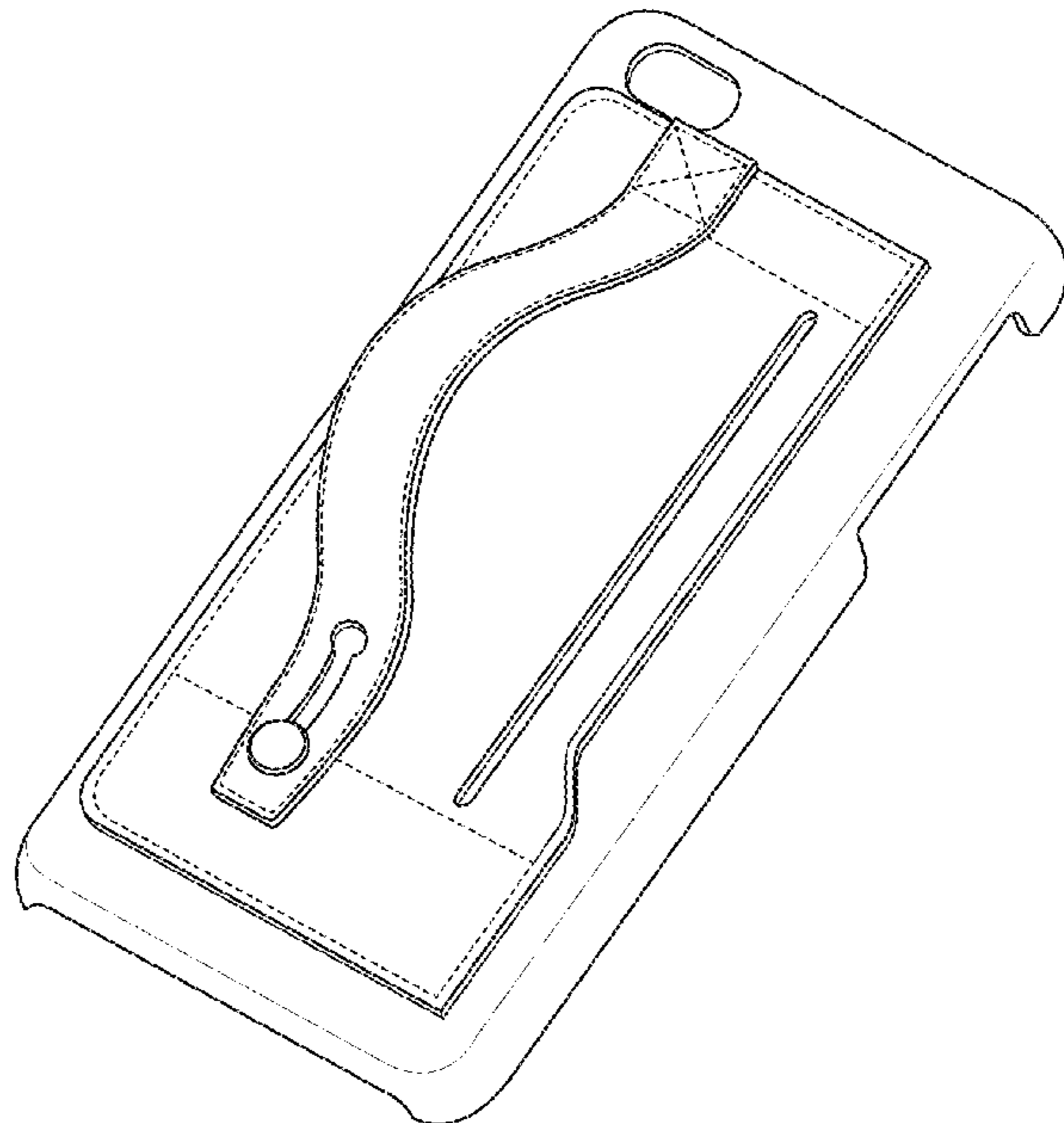
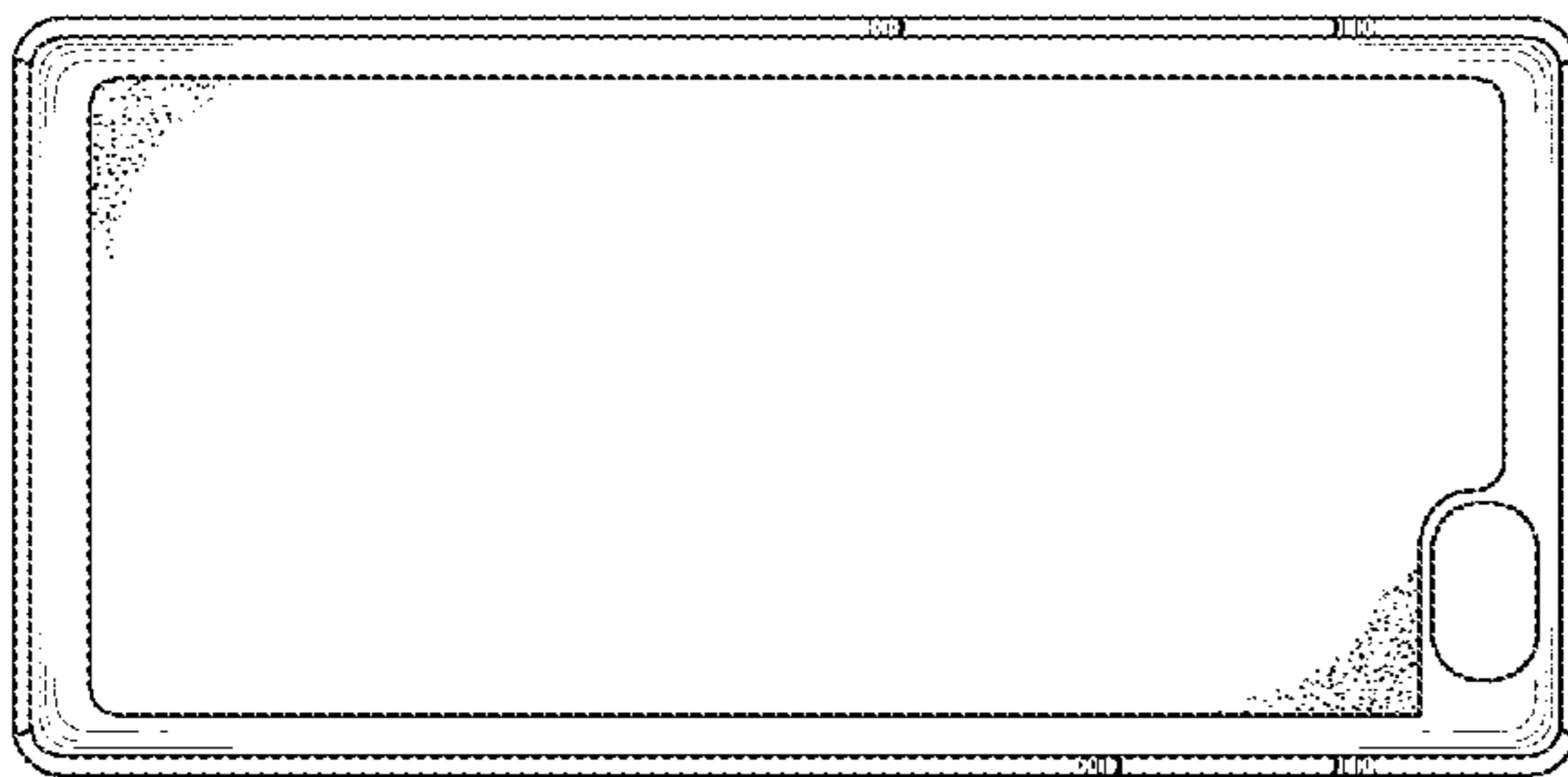
FIG. 8 is a bottom plan view of the phone case; and,

FIG. 9 is a back isometric view of the phone case showing the strap element in an extended configuration.

The combination of stippled and linear surface shading in the drawing figures represents a contrast in appearance between the stippled surfaces and the surfaces with either linear shading or no surface shading.

The broken lines in FIGS. 2, 4, and 9 depict stitching, which is part of the claimed design.

1 Claim, 3 Drawing Sheets



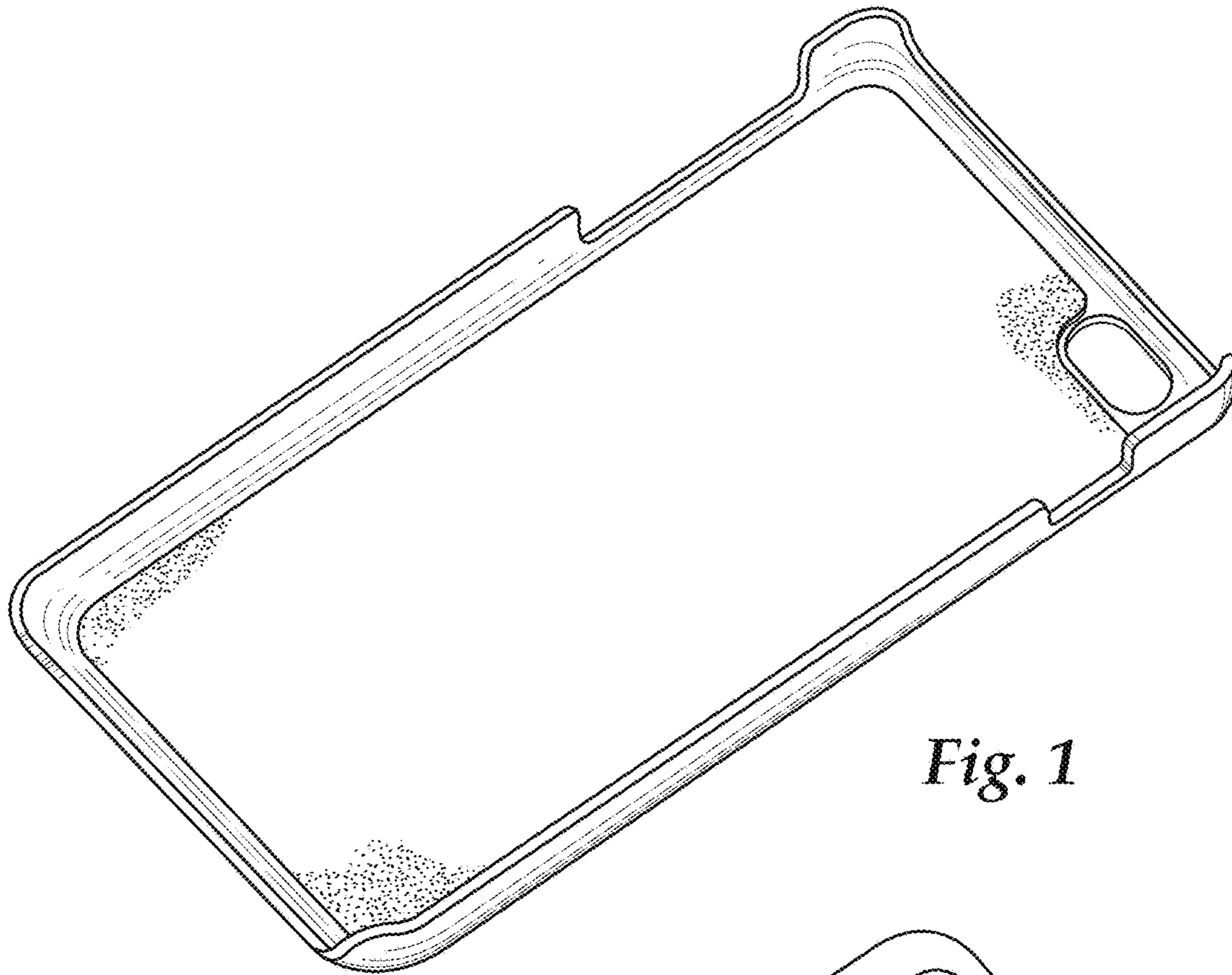


Fig. 1

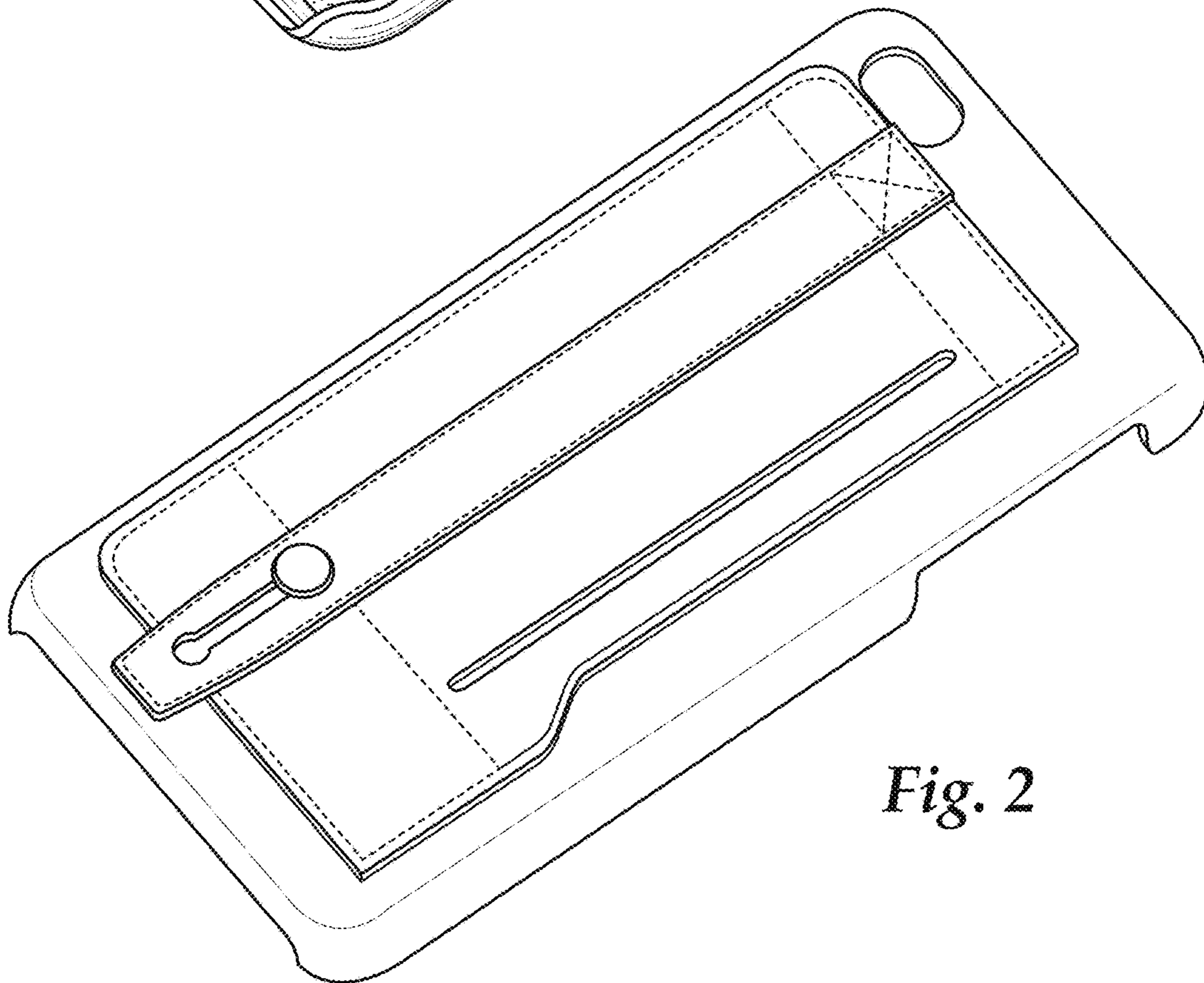


Fig. 2

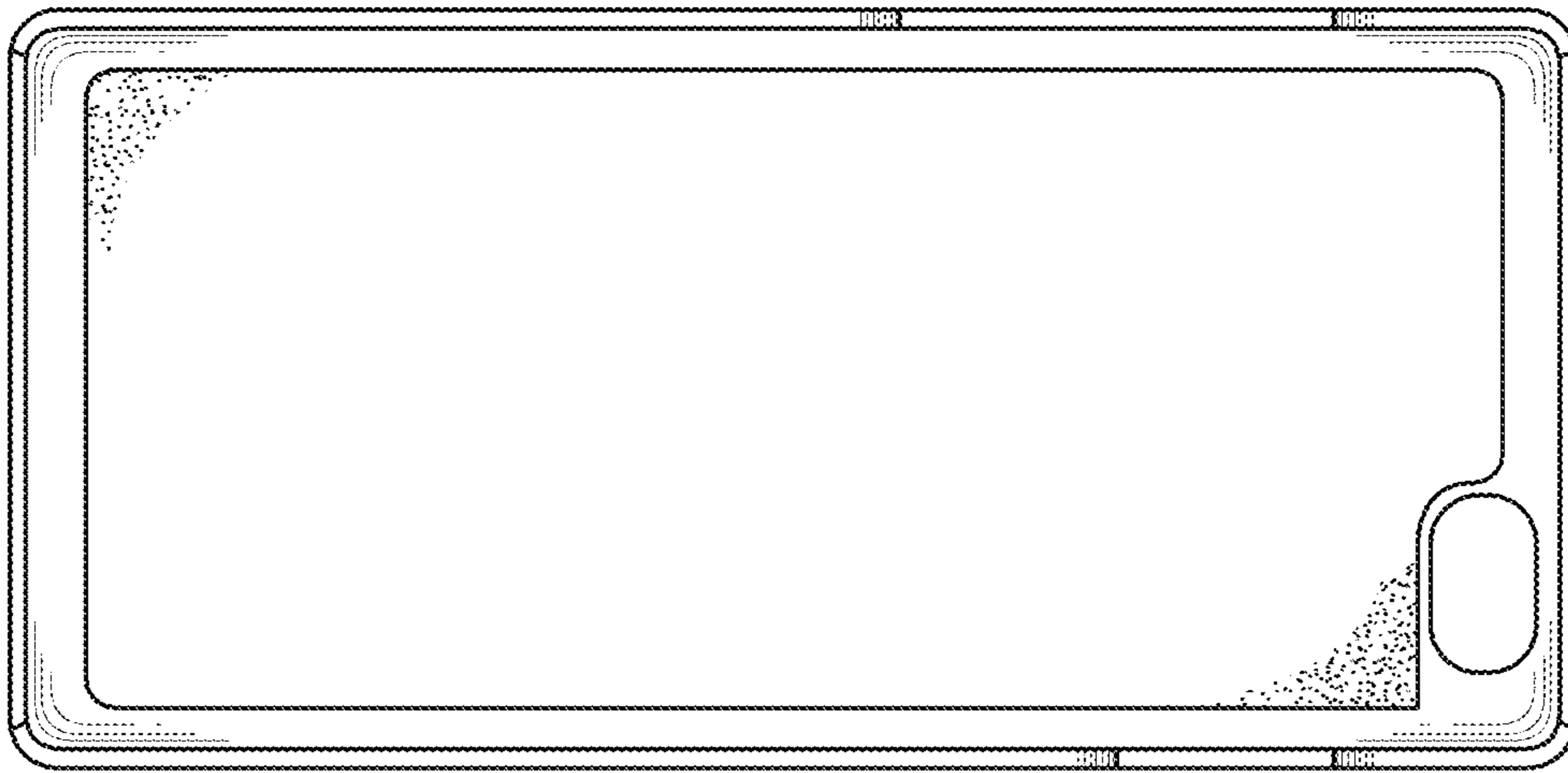


Fig. 3

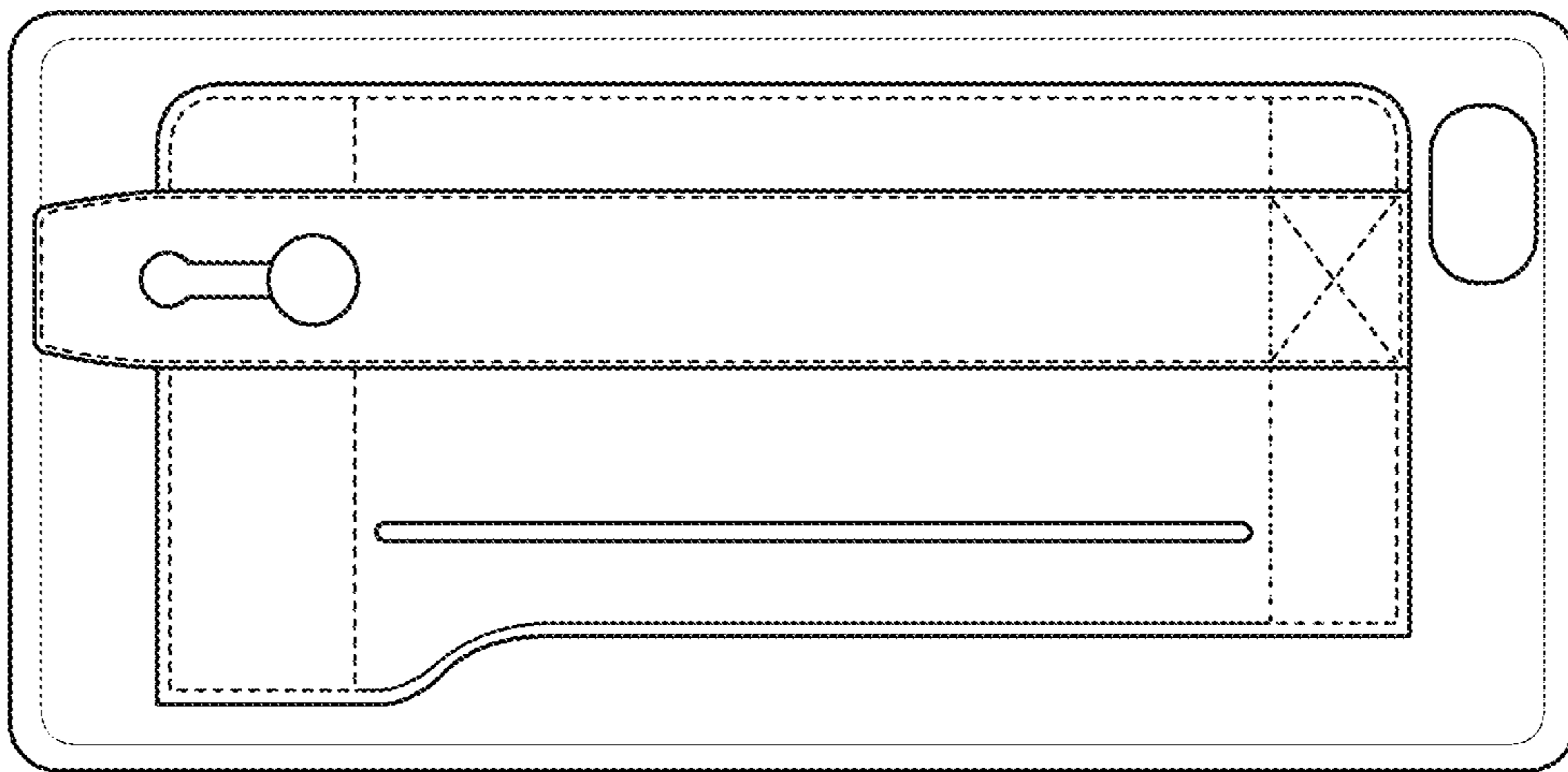


Fig. 4

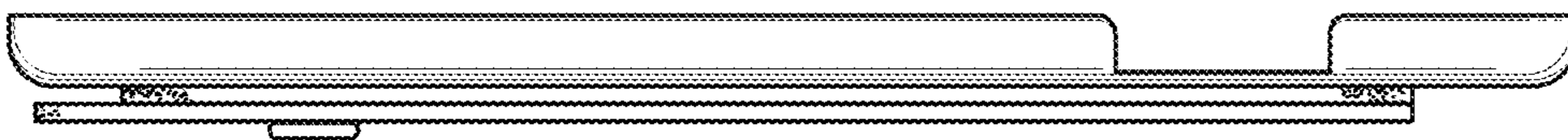


Fig. 5



Fig. 6

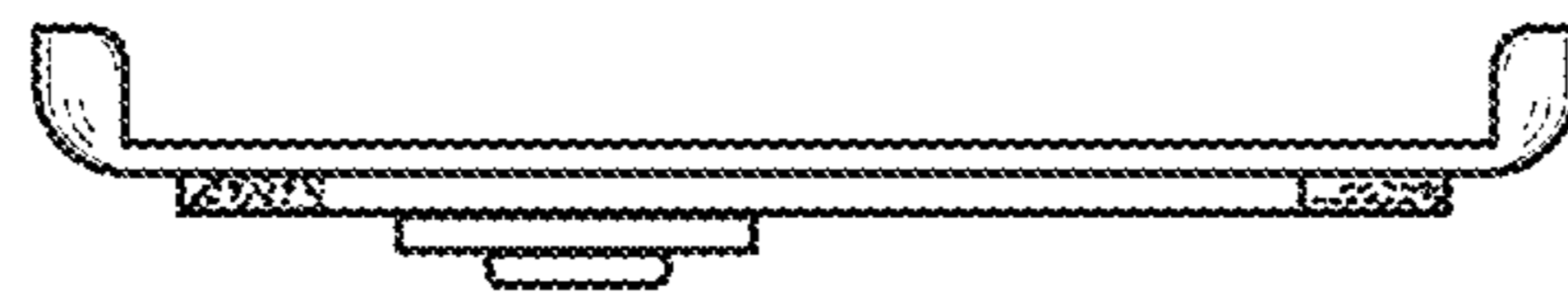


Fig. 7

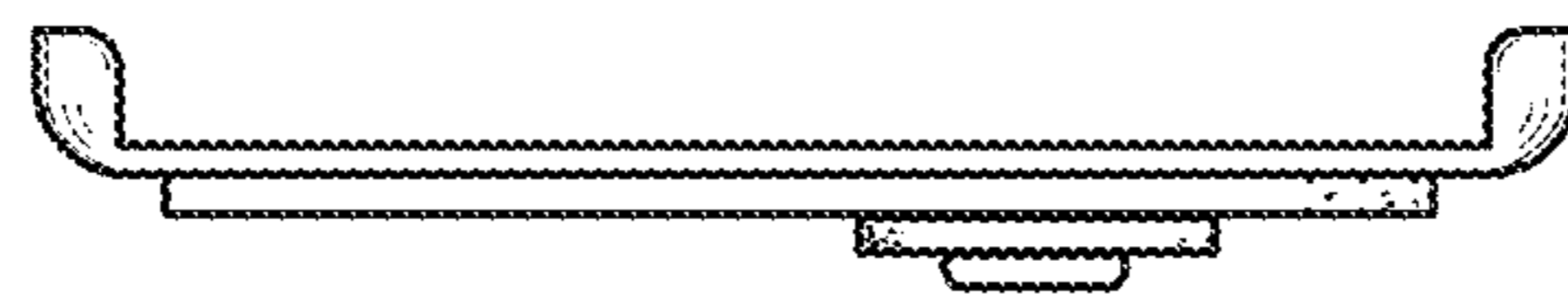


Fig. 8

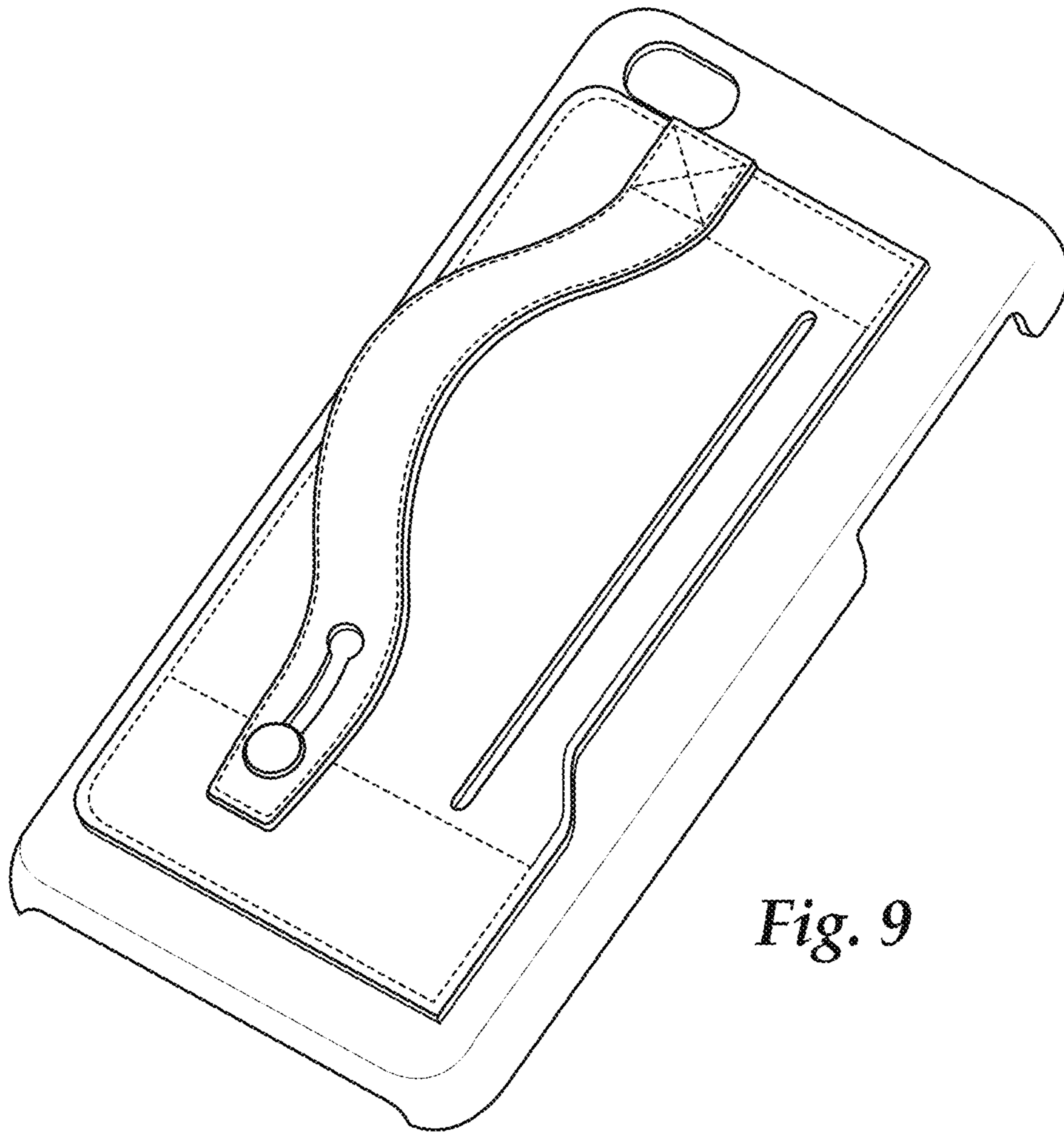


Fig. 9