



US00D793999S

(12) **United States Design Patent** (10) **Patent No.:** **US D793,999 S**
Matsuoka et al. (45) **Date of Patent:** **** Aug. 8, 2017**

(54) **ANTENNA**

A63B 1/00; C04B 35/584; F41H 11/02;
F42B 15/34; G01C 21/005

(71) Applicant: **Google Inc.**, Mountain View, CA (US)

See application file for complete search history.

(72) Inventors: **Yoshimichi Matsuoka**, Sunnyvale, CA (US); **David Moloney**, Los Gatos, CA (US)

(56) **References Cited**

U.S. PATENT DOCUMENTS

(73) Assignee: **Google Inc.**, Mountain View, CA (US)

(**) Term: **15 Years**

(21) Appl. No.: **29/559,781**

1,724,456 A * 8/1929 Crook B64C 9/146
188/382
2,358,985 A * 9/1944 McAndrew B64C 3/54
244/113
D220,697 S * 5/1971 Osborn D12/400
4,690,355 A * 9/1987 Hornung B64G 1/222
136/245
4,706,910 A * 11/1987 Walsh B64C 21/10
114/67 R

(Continued)

(22) Filed: **Mar. 31, 2016**

FOREIGN PATENT DOCUMENTS

(51) **LOC (10) Cl.** **14-03**

(52) **U.S. Cl.**

USPC **D14/230**

DE 10130392 A1 * 1/2003 A63C 5/04
GB 191002615 A * 0/1910 B64C 21/02

(58) **Field of Classification Search**

USPC D14/138, 230–238.1, 299, 358;
D12/42–43; D13/182; D8/396;
248/68.1; 343/711–713, 700 R–705, 819,
343/871–908, 795, 840, 841, 846, 725;
D6/682; D22/147; D25/67; 455/91,
455/128, 269, 345, 562.1, 575.9
CPC F16L 3/2235; F16L 3/227; F16L 3/221;
Y10T 403/7141; H01L 33/48; H01L
33/486; H01L 23/02; H05K 5/00; H05K
11/00; H01Q 13/10; H01Q 7/00; H01Q
9/285; H01Q 19/30; H01Q 19/12; H01Q
1/38; H01Q 1/42; H01Q 1/28; H01Q
1/3275; H01Q 1/1235; H01Q 1/1228;
H01Q 1/1207; H01Q 1/52; H01Q 1/281;
H01Q 1/08; H01Q 1/1242; H01Q 1/125;
H01Q 21/06; H01Q 1/32; H01Q 1/24;
H01Q 1/36; B64C 7/00; B64G 1/222;
E04B 1/3441; E04B 1/1903; E04G 11/48;
E04G 7/14; E04C 3/005; E04C 3/08;

Primary Examiner — Anhdao Doan

Assistant Examiner — Mary Malley

(74) *Attorney, Agent, or Firm* — Honigman Miller
Schwartz and Cohn LLP

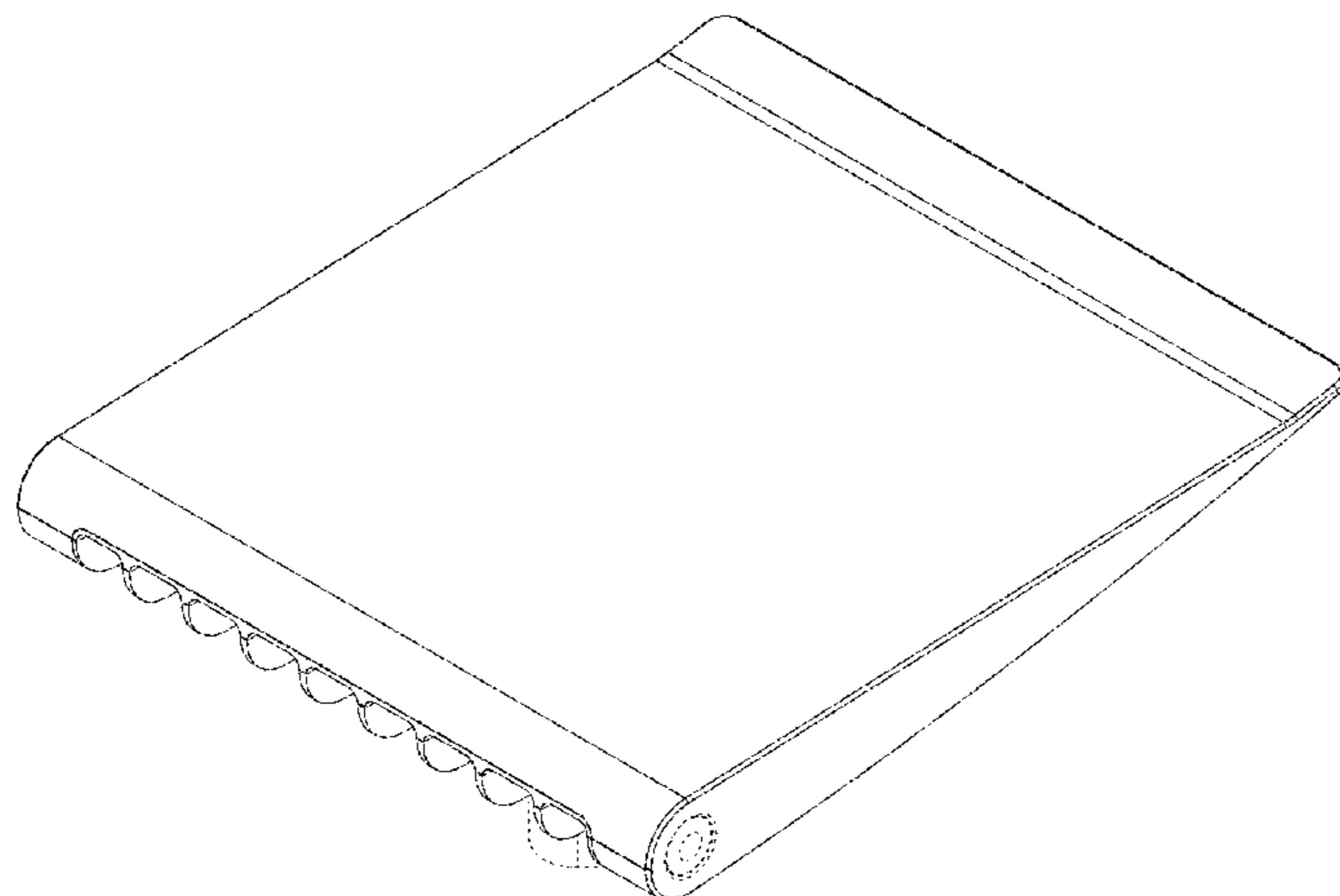
(57) **CLAIM**

The ornamental design for an antenna, as shown and described.

DESCRIPTION

FIG. 1 is a top-front perspective view of an antenna, showing our new design;
FIG. 2 is a top-rear perspective view thereof;
FIG. 3 is a bottom-right perspective view thereof;
FIG. 4 is a bottom-left perspective view thereof;
FIG. 5 is a front view thereof;
FIG. 6 is a rear view thereof;
FIG. 7 is a top plan view thereof;
FIG. 8 is a bottom plan view thereof;
FIG. 9 is a left side view thereof; and,
FIG. 10 is a right side view thereof.

(Continued)



The broken lines illustrate portions of the antenna that form no part of the claimed design.

1 Claim, 10 Drawing Sheets

(56) **References Cited**

U.S. PATENT DOCUMENTS

4,728,962 A * 3/1988 Kitsuda H01Q 1/38
343/700 MS
5,058,837 A * 10/1991 Wheeler B64C 23/06
244/198
6,138,956 A * 10/2000 Monner B64C 3/48
244/215
6,755,375 B2 * 6/2004 Trikha B64C 13/42
244/213
D494,156 S * 8/2004 Chen D14/240
D552,378 S * 10/2007 Hussaini D6/682
7,954,769 B2 * 6/2011 Bushnell B64C 9/02
244/204
D704,174 S * 5/2014 Negus D14/240
8,864,440 B2 * 10/2014 Sauer, Jr. F03D 3/065
415/4.2
9,038,964 B2 * 5/2015 Wildman B64C 9/20
244/215
D752,565 S * 3/2016 Olivier D14/242
2004/0233172 A1 * 11/2004 Schneider G06F 3/0202
345/168
2014/0078007 A1 * 3/2014 Abe H01Q 1/273
343/702
2014/0218255 A1 * 8/2014 Sanford H01Q 1/525
343/837
2016/0329641 A1 * 11/2016 Lee H01Q 19/10

* cited by examiner

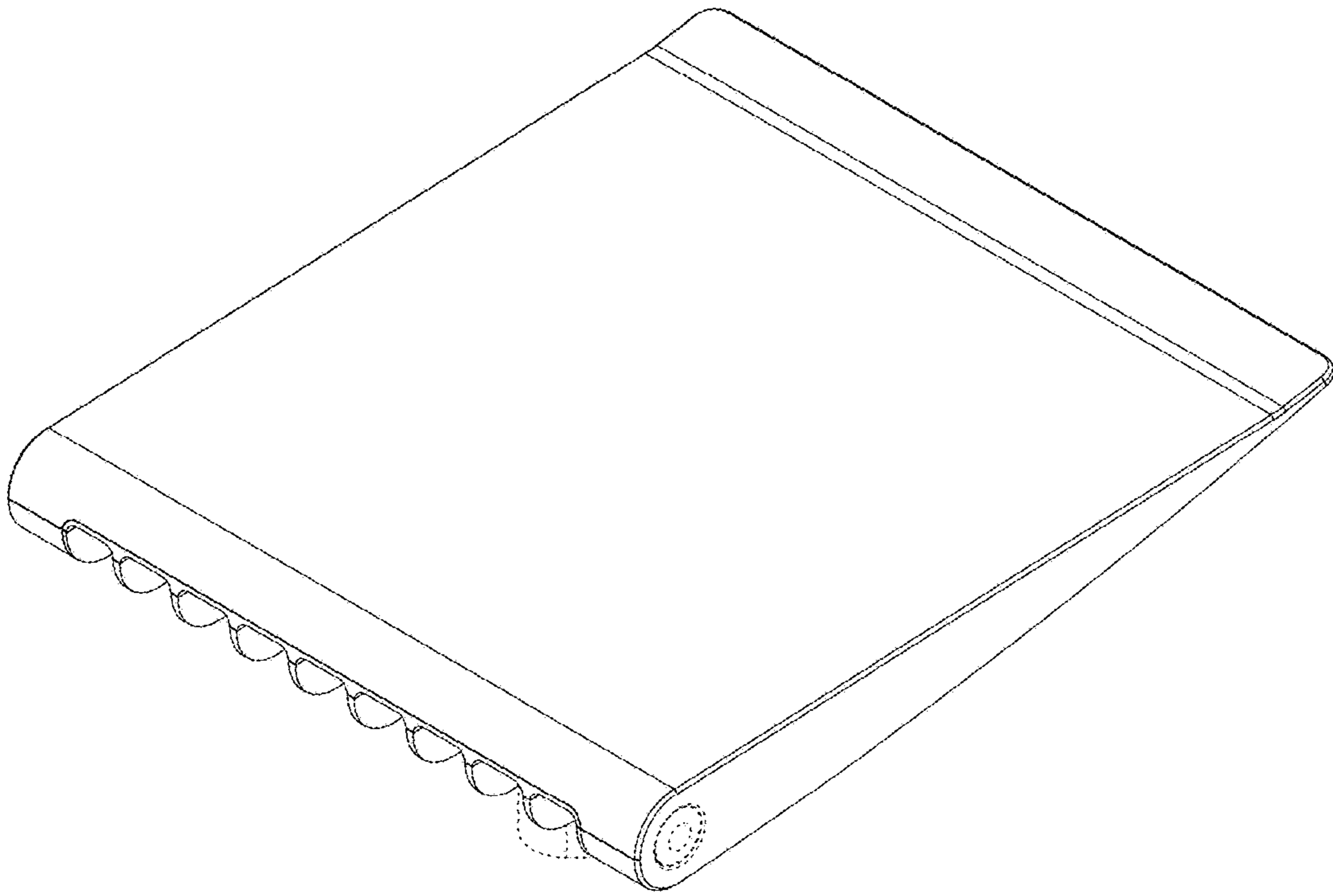


FIG. 1

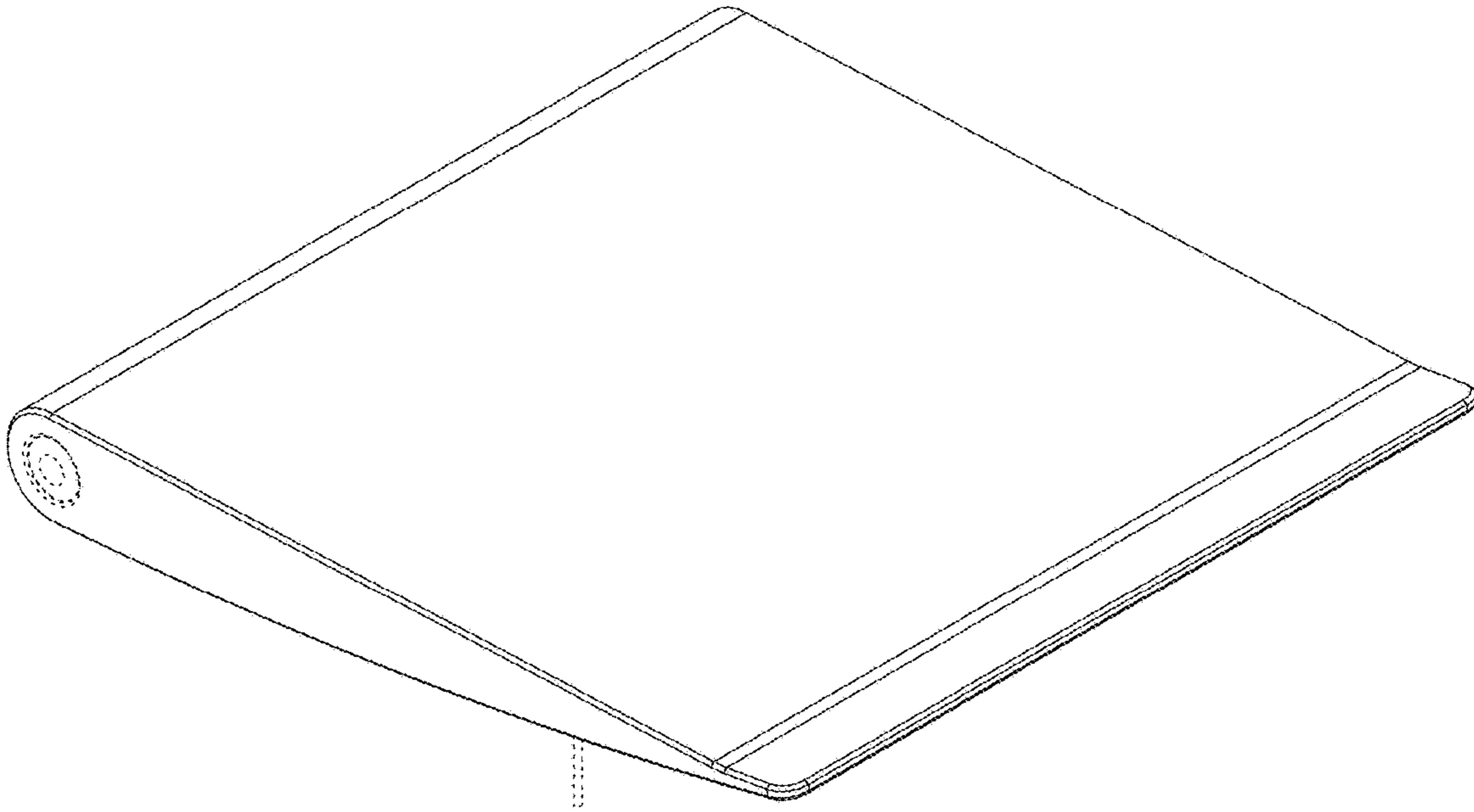


FIG. 2

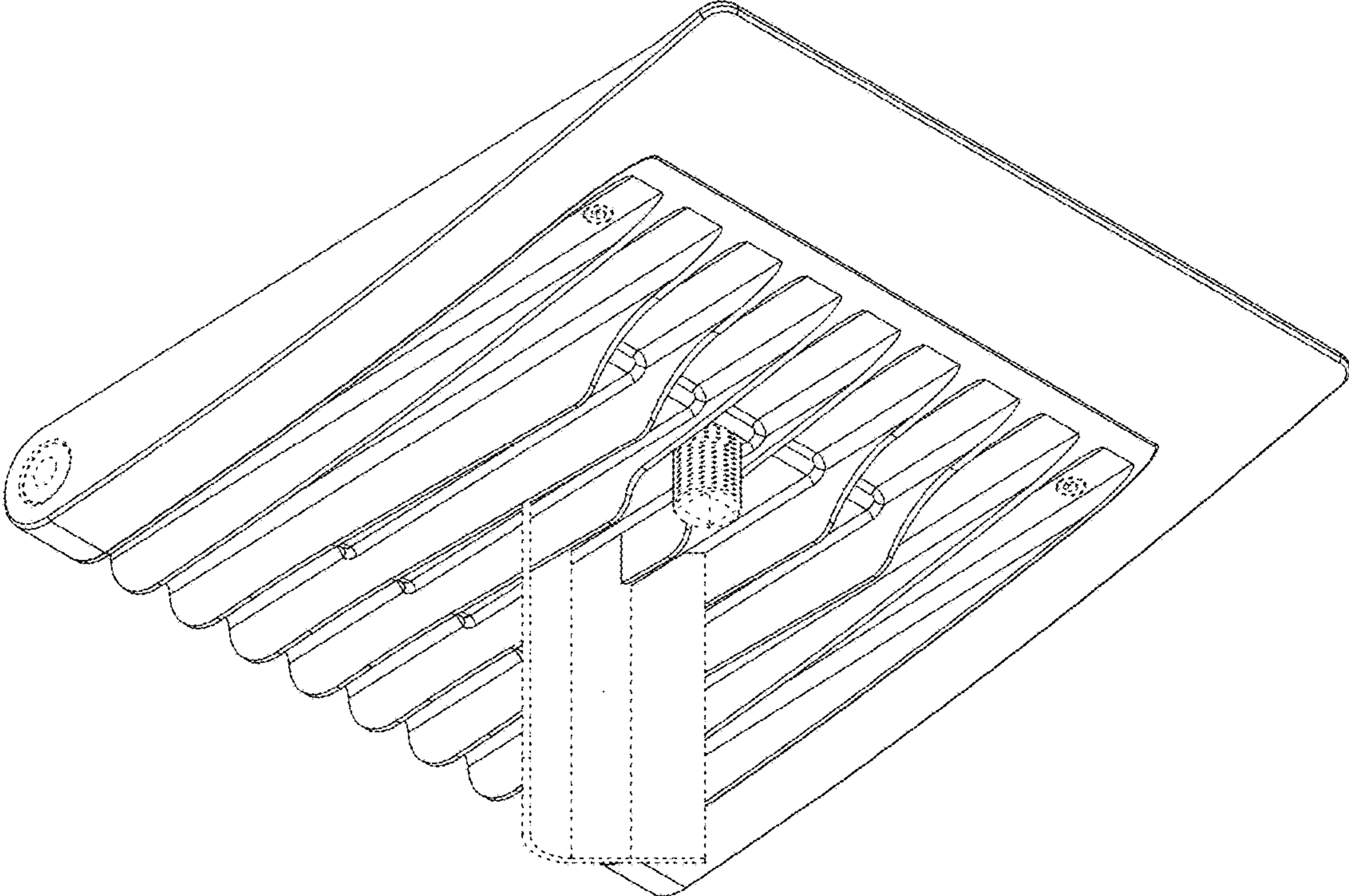


FIG. 3

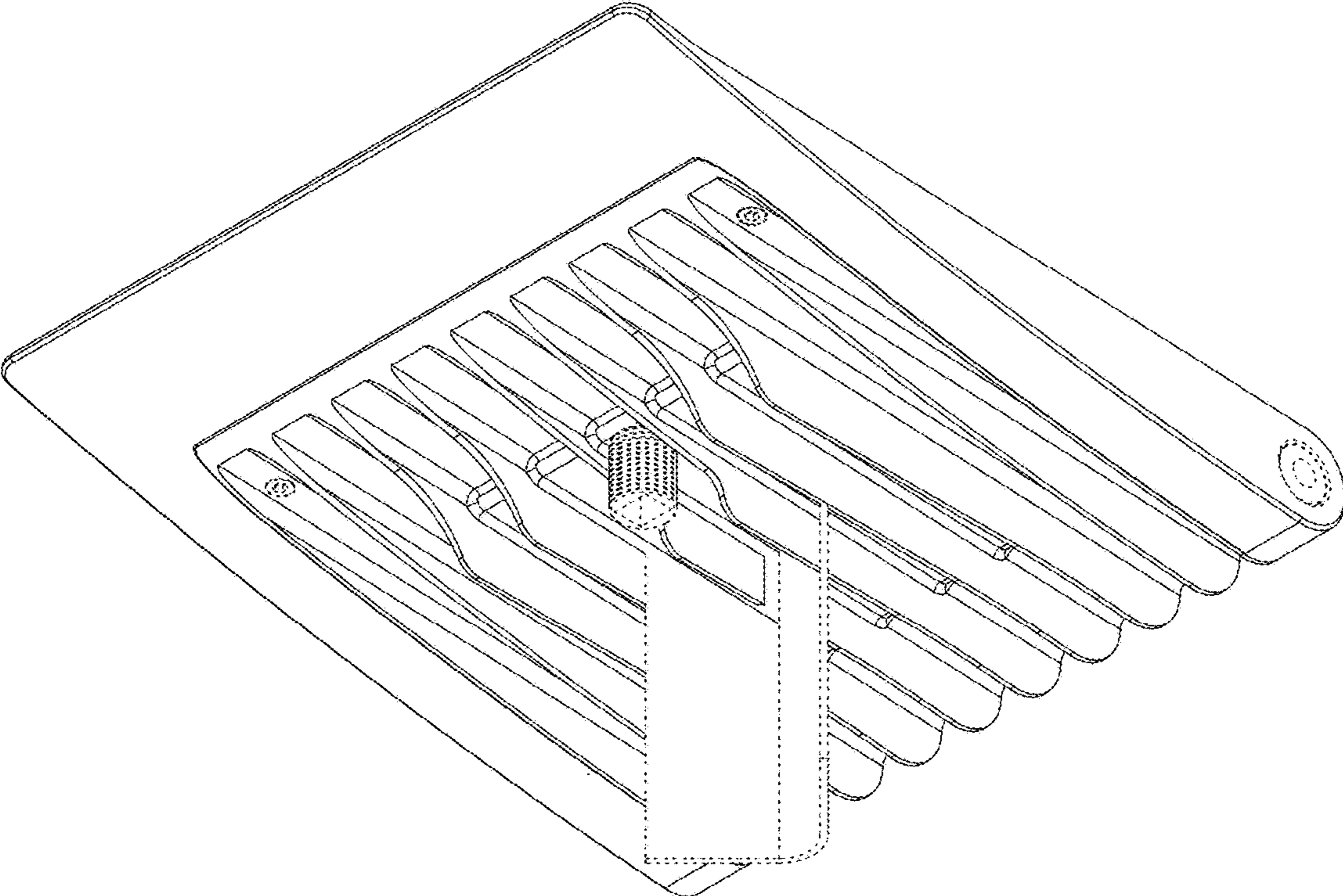


FIG. 4

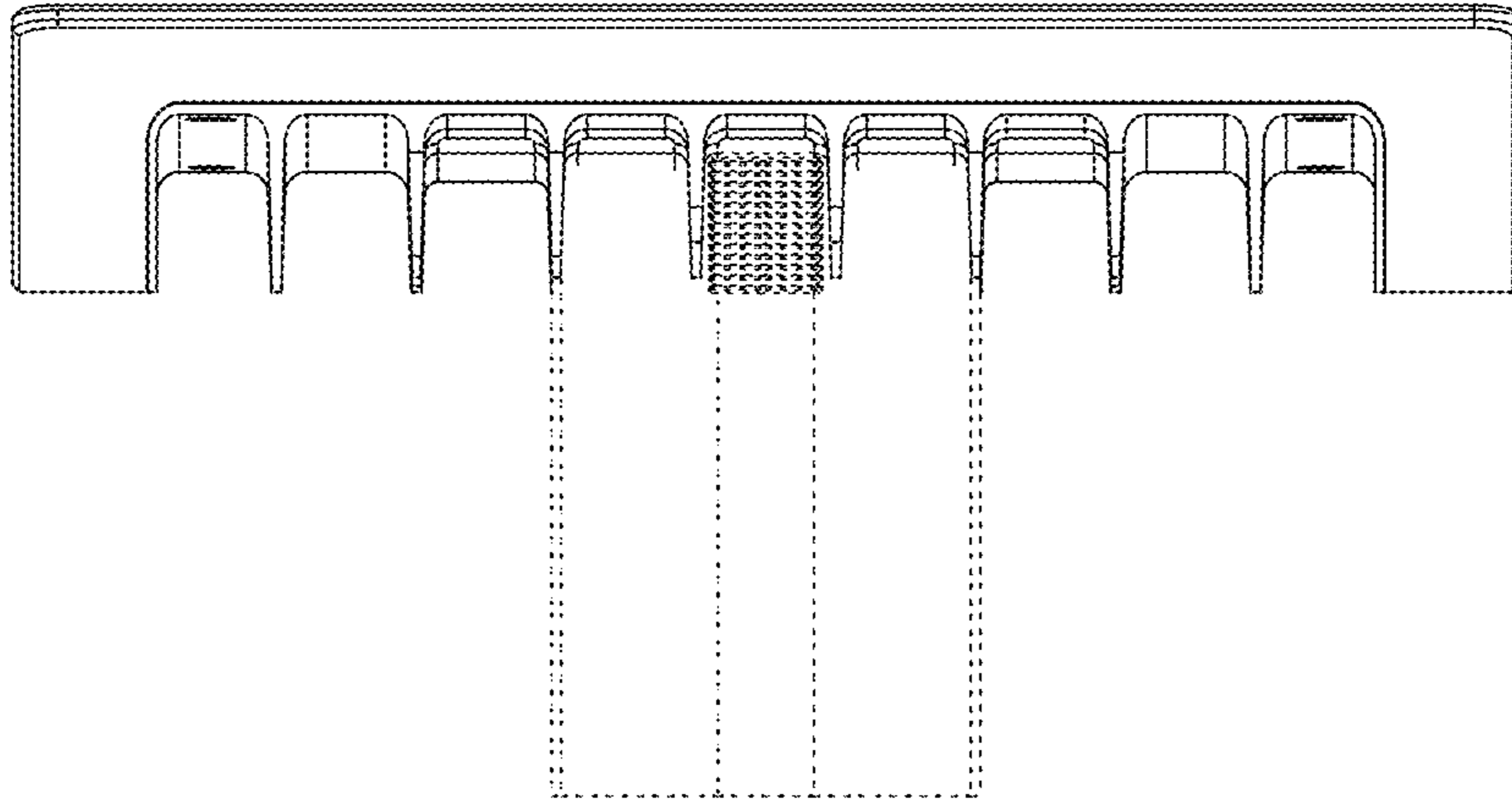


FIG. 5

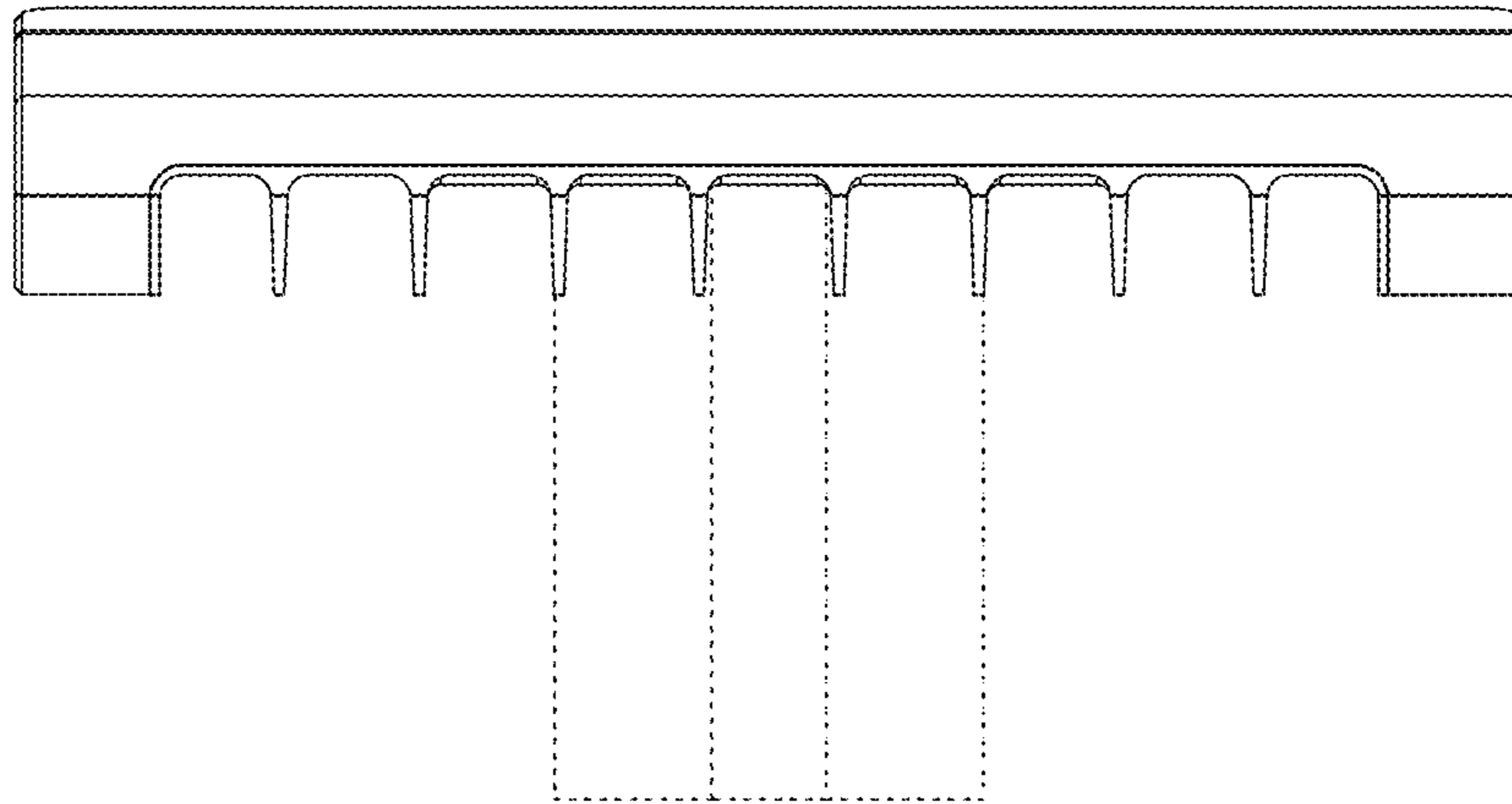


FIG. 6

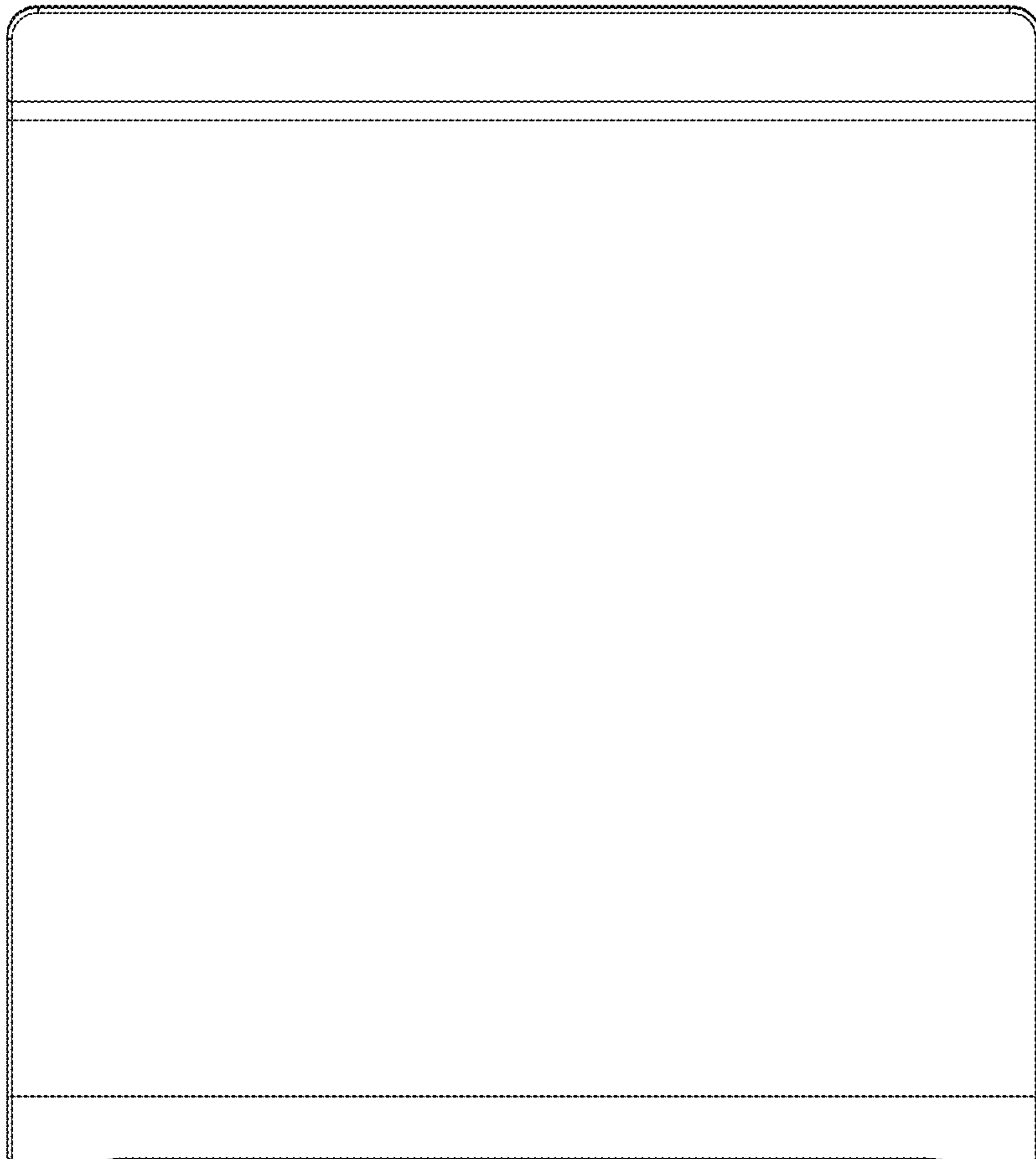


FIG. 7

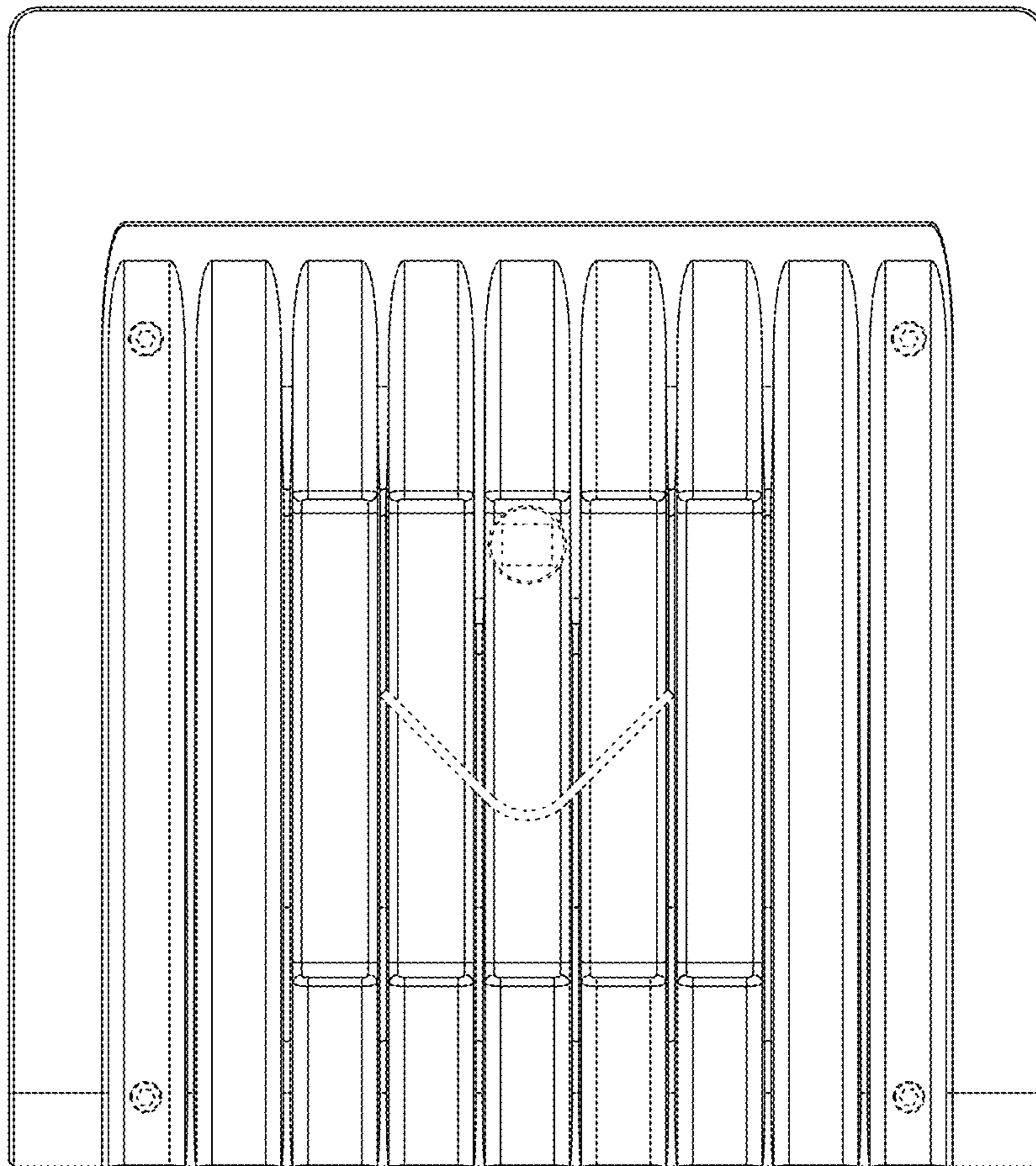


FIG. 8

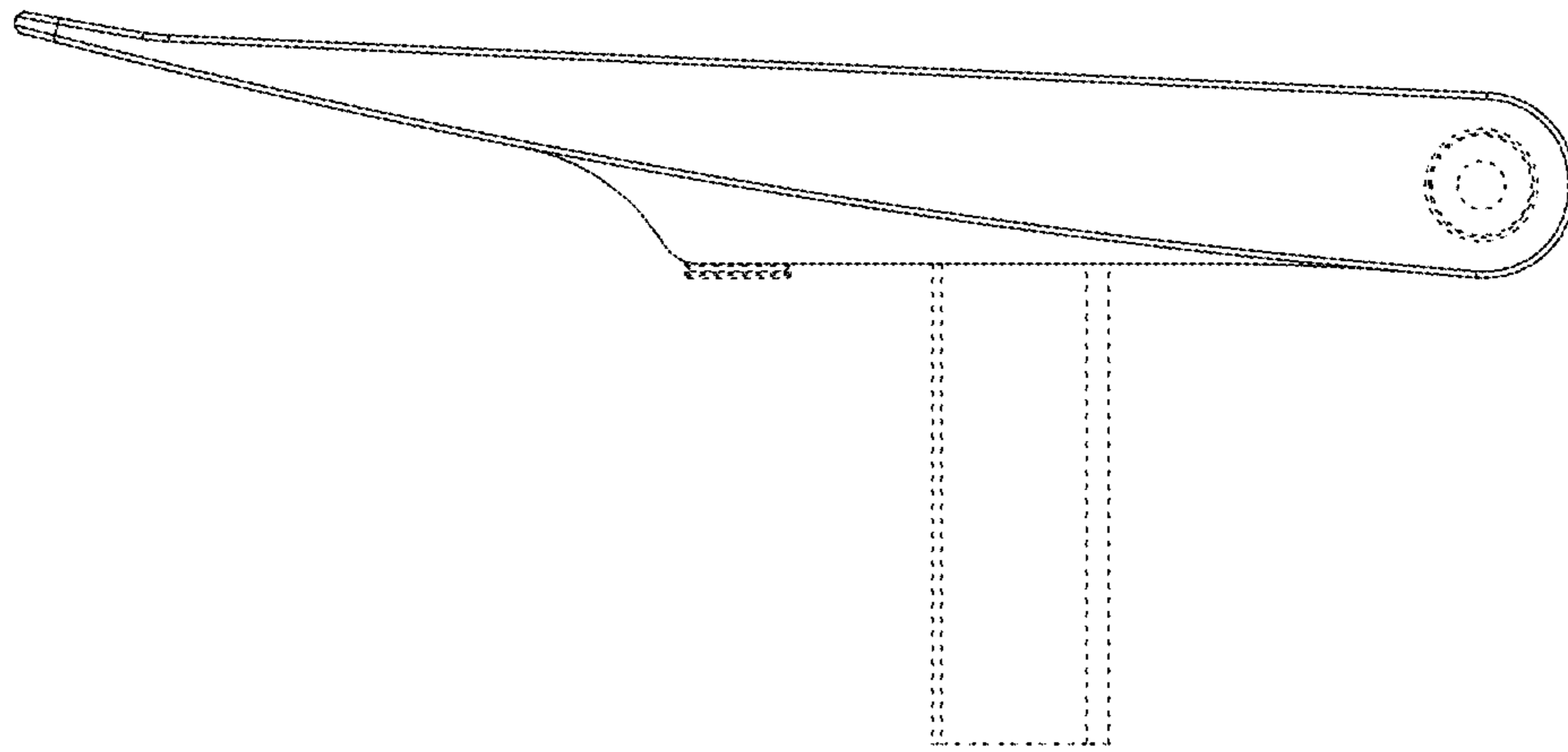


FIG. 9

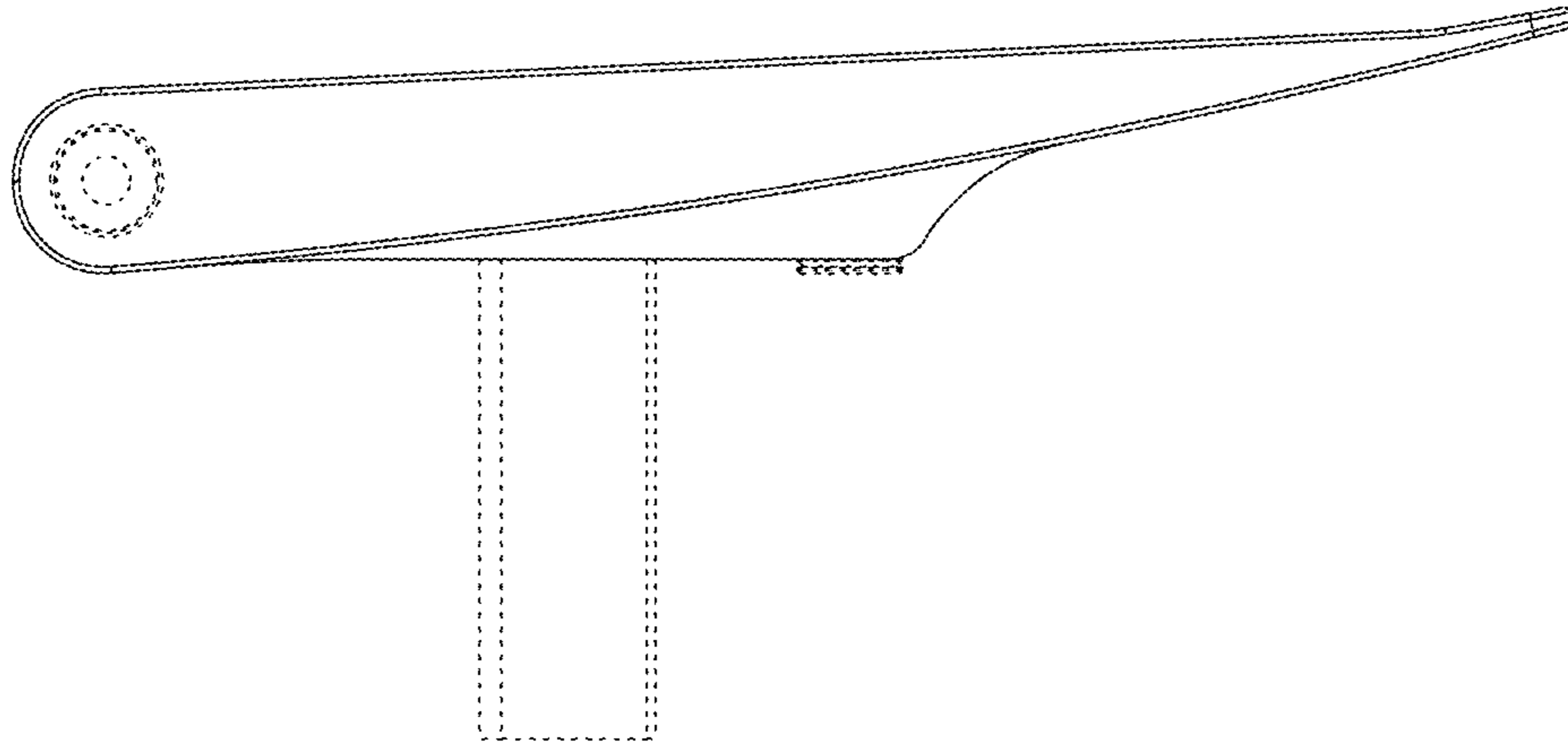


FIG. 10