



US00D793997S

(12) **United States Design Patent**
Podduturi

(10) **Patent No.:** **US D793,997 S**

(45) **Date of Patent:** **** Aug. 8, 2017**

(54) **PHOTOCELL ISM DUAL BAND ANTENNA**

(71) Applicant: **World Products, Inc.**, Sonoma, CA
(US)

(72) Inventor: **Bharadvaj R. Podduturi**, American
Canyon, CA (US)

(73) Assignee: **World Products, Inc.**, Sonoma, CA
(US)

(**) Term: **14 Years**

(21) Appl. No.: **29/510,402**

(22) Filed: **Nov. 26, 2014**

(51) **LOC (10) Cl.** **14-03**

(52) **U.S. Cl.**
USPC **D14/230**

(58) **Field of Classification Search**
USPC D14/230, 231, 232, 233, 234, 235, 236,
D14/237, 238, 138, 299, 358, 240;
D12/42, 43

CPC H01Q 7/00; H01Q 13/10; H01Q 9/285;
H01Q 9/26; H01Q 19/30; H01Q 19/12;
H01Q 1/38; H01Q 1/36; H01Q 1/42;
H01Q 1/242; H01Q 1/243; H01Q 1/2266
See application file for complete search history.

(56) **References Cited**

U.S. PATENT DOCUMENTS

D562,311 S * 2/2008 Chen D14/230
D603,851 S * 11/2009 Montgomery D14/230

D605,640 S * 12/2009 Wu D14/230
D606,054 S * 12/2009 Wu D14/230
D608,354 S * 1/2010 Yang D14/230
D630,195 S * 1/2011 Su D14/230
D636,764 S * 4/2011 Mi D14/230
D649,534 S * 11/2011 Mi D14/230
D678,257 S * 3/2013 Ko D14/230
D686,599 S * 7/2013 Podduturi
D707,665 S * 6/2014 Chu D14/230
D768,116 S * 10/2016 Zheng D14/230
2010/0171664 A1* 7/2010 Yang H01Q 1/2266
343/700 MS
2013/0033399 A1* 2/2013 Huang H01Q 5/357
343/700 MS

* cited by examiner

Primary Examiner — Karen S Acker

Assistant Examiner — Jerry Hsu

(74) *Attorney, Agent, or Firm* — Patterson Thuent
Pederson, P.A.

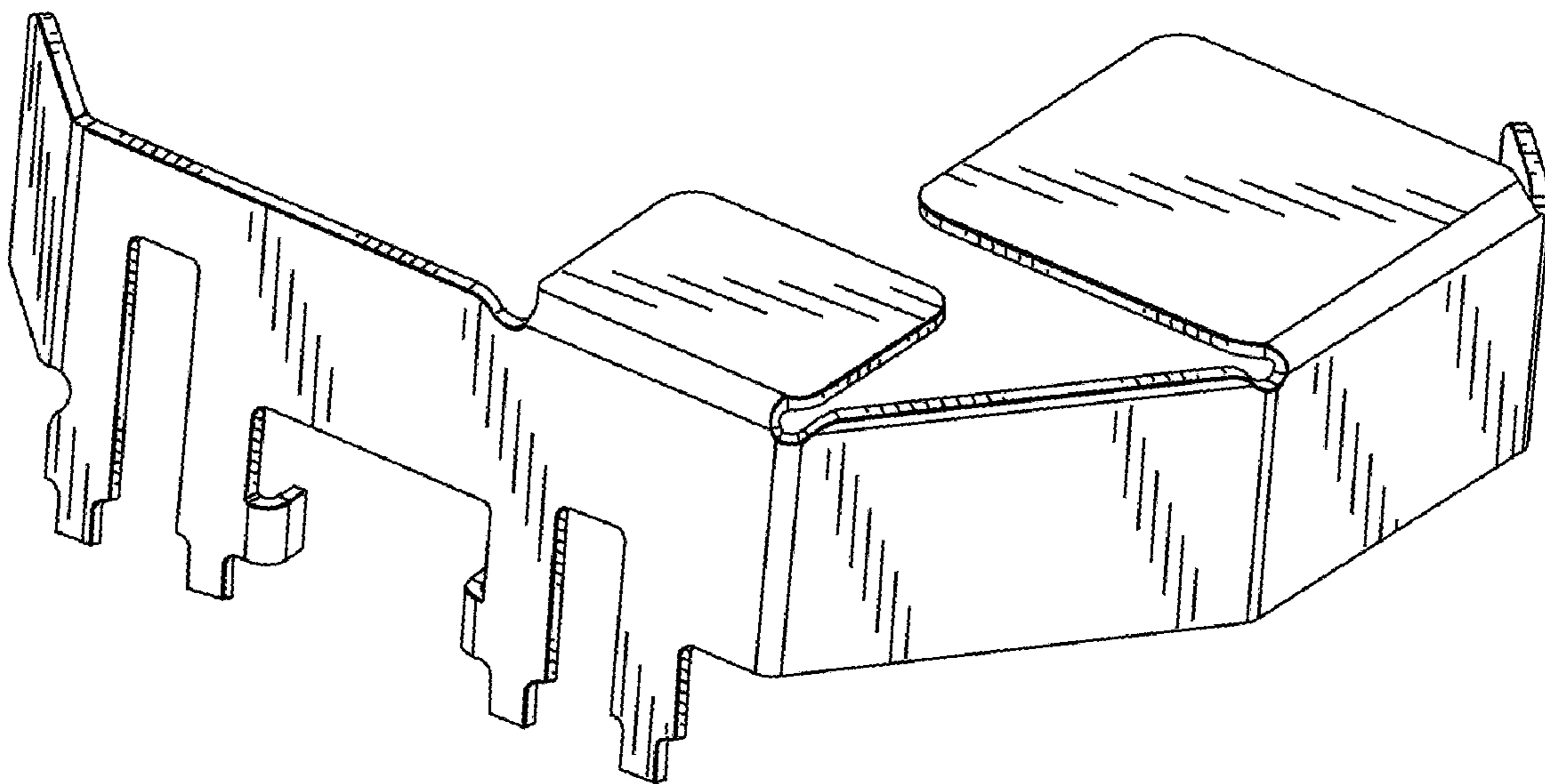
(57) **CLAIM**

I claim the ornamental design for a photocell ISM dual band antenna, as shown.

DESCRIPTION

FIG. 1 is a perspective view of a photocell ISM dual band antenna depicting my new design;
FIG. 2 is a front elevation view thereof;
FIG. 3 is a rear elevation view thereof;
FIG. 4 is a left side elevation view thereof;
FIG. 5 is a right side elevation view thereof;
FIG. 6 is a bottom plan view thereof; and,
FIG. 7 is a top plan view thereof.

1 Claim, 4 Drawing Sheets



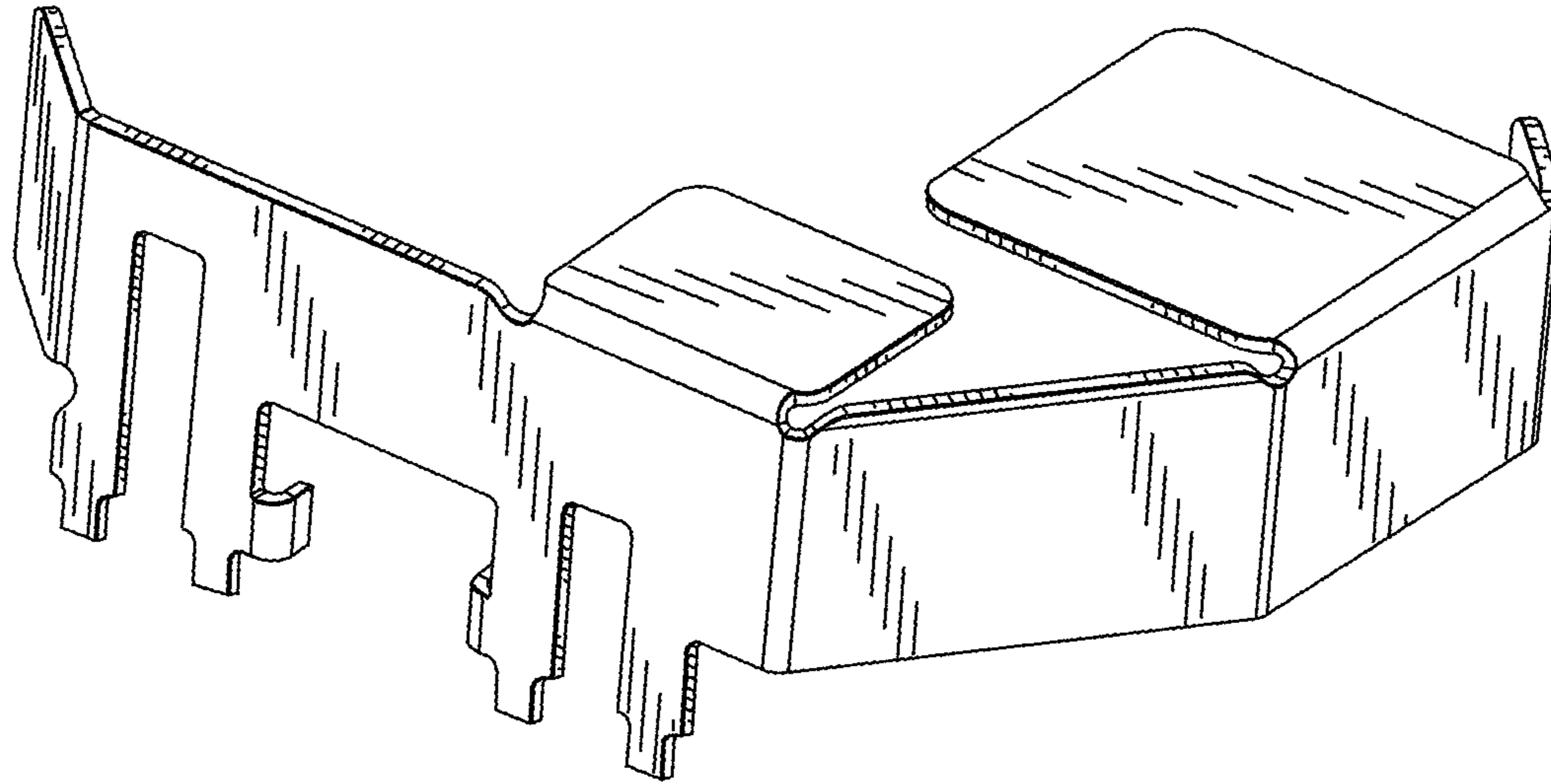


Fig. 1

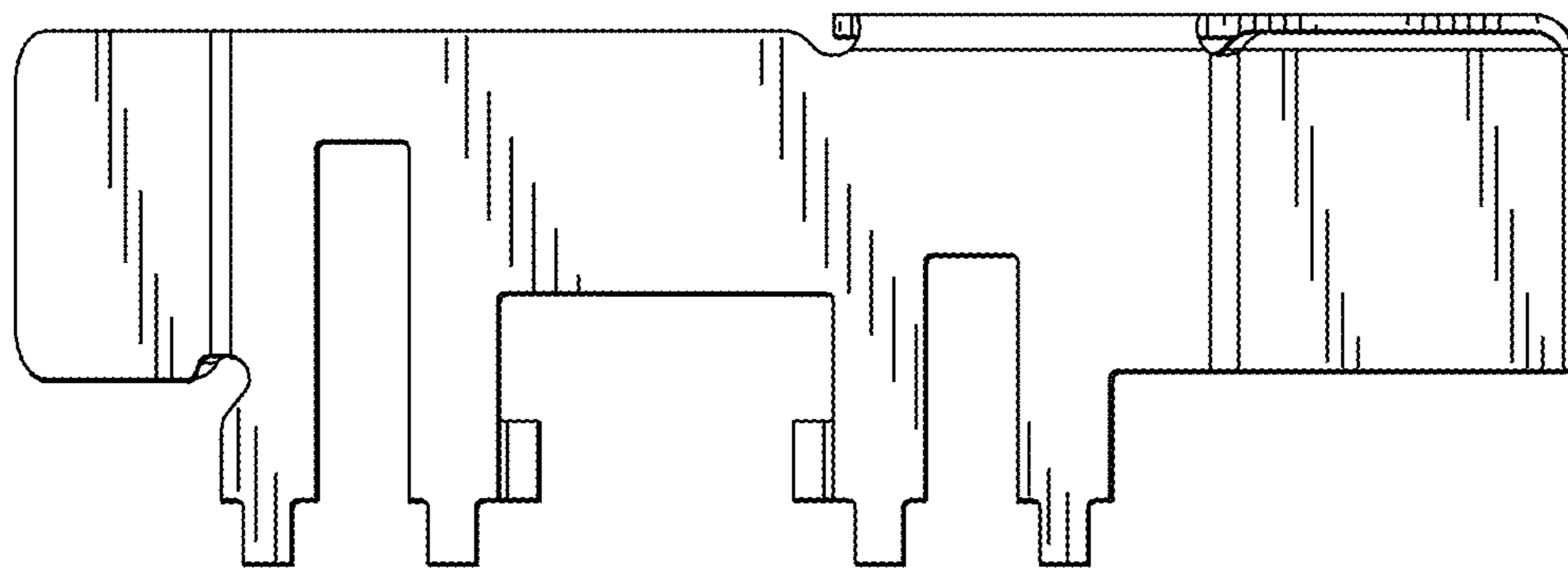


Fig. 2

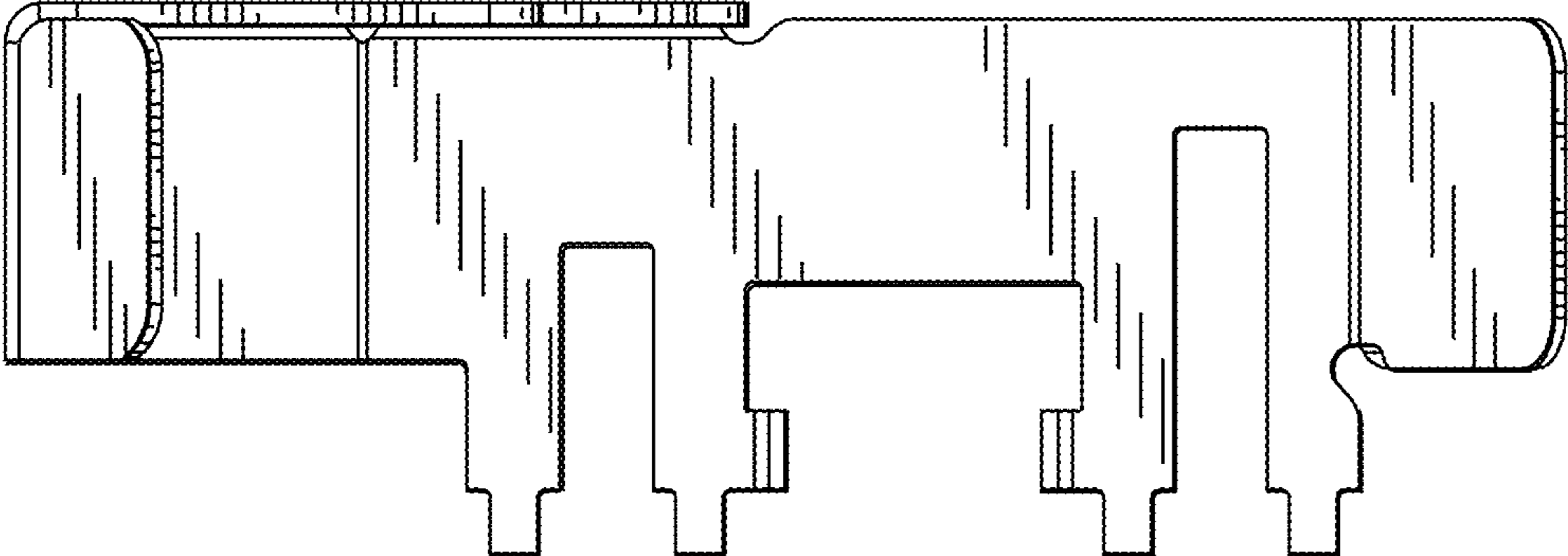


Fig. 3

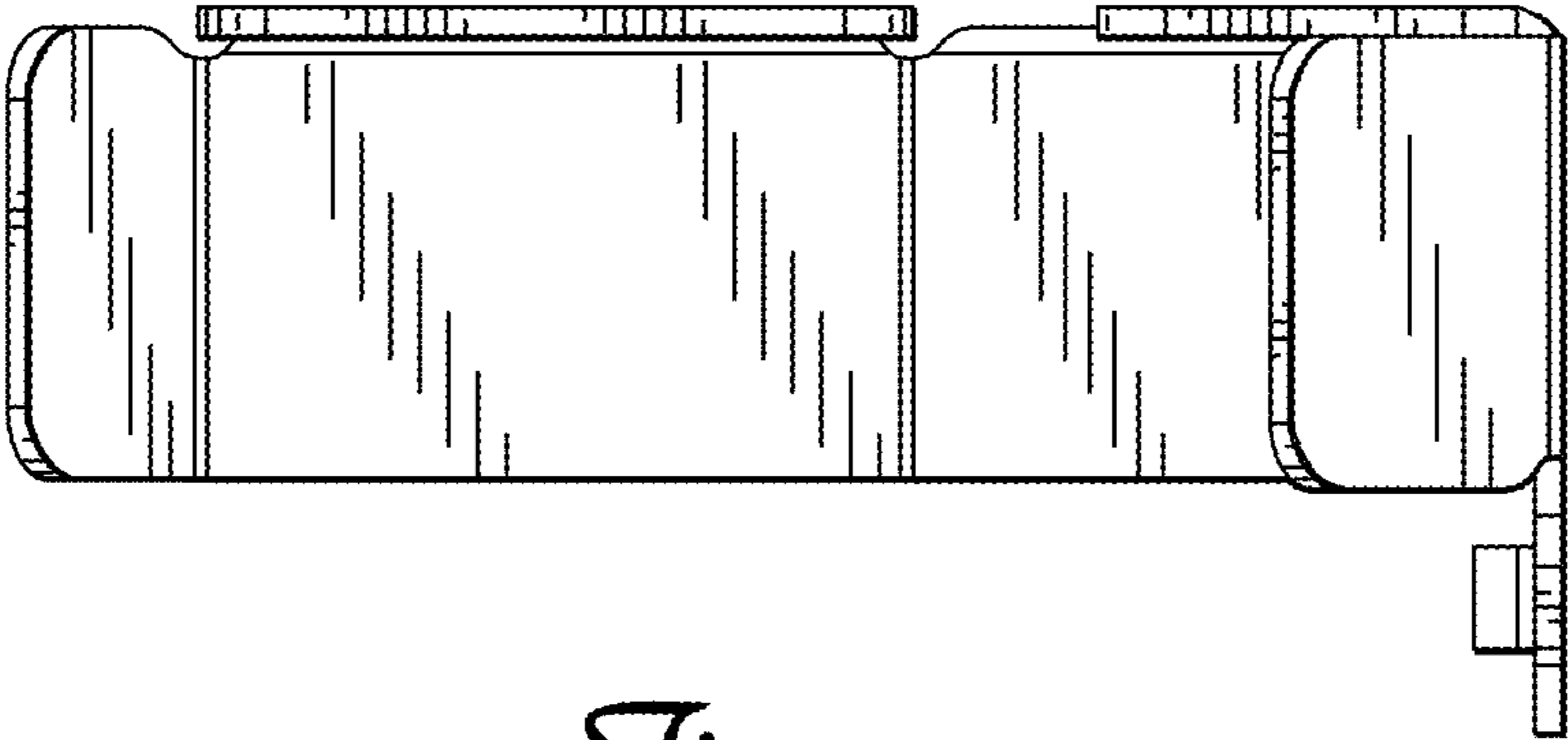


Fig. 4

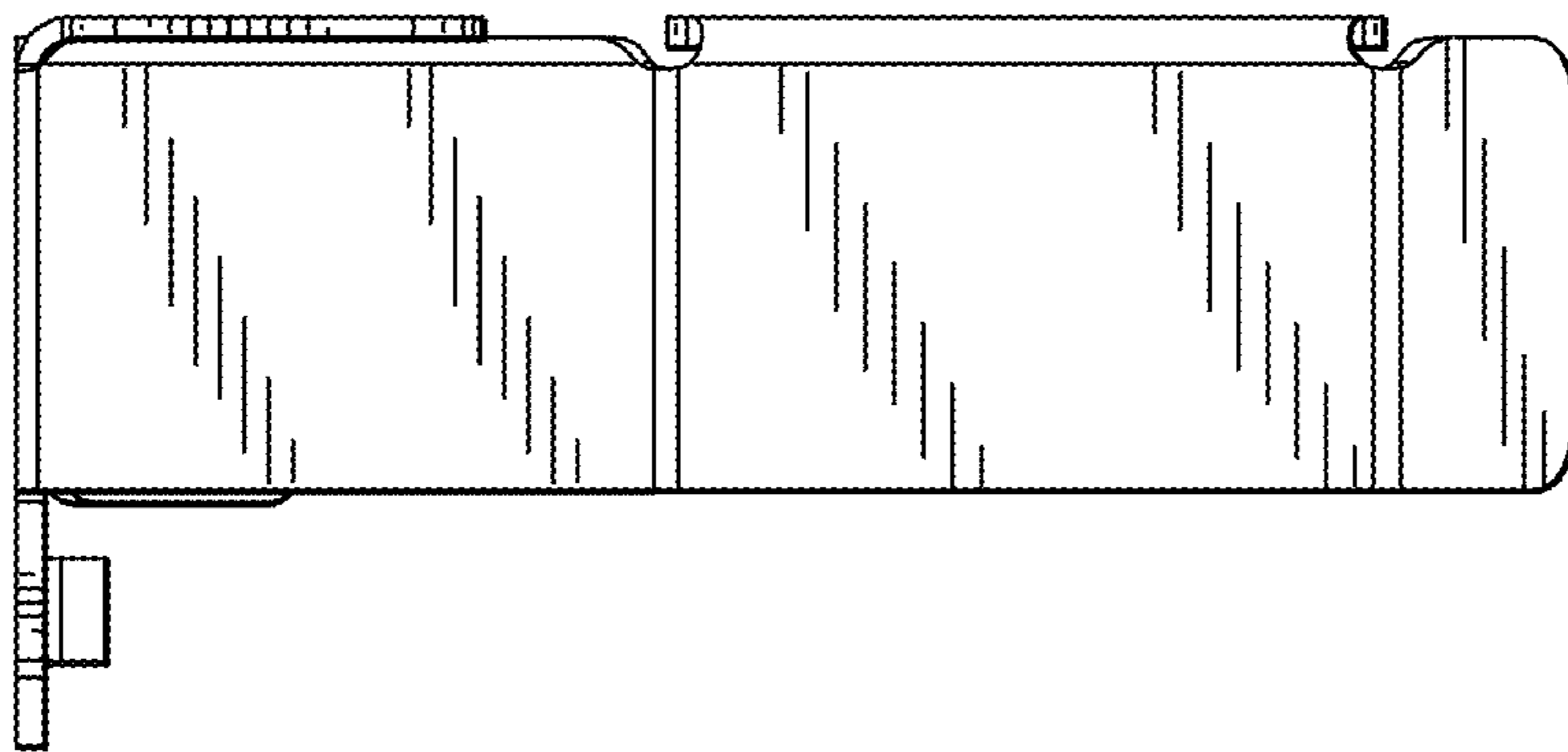


Fig. 5

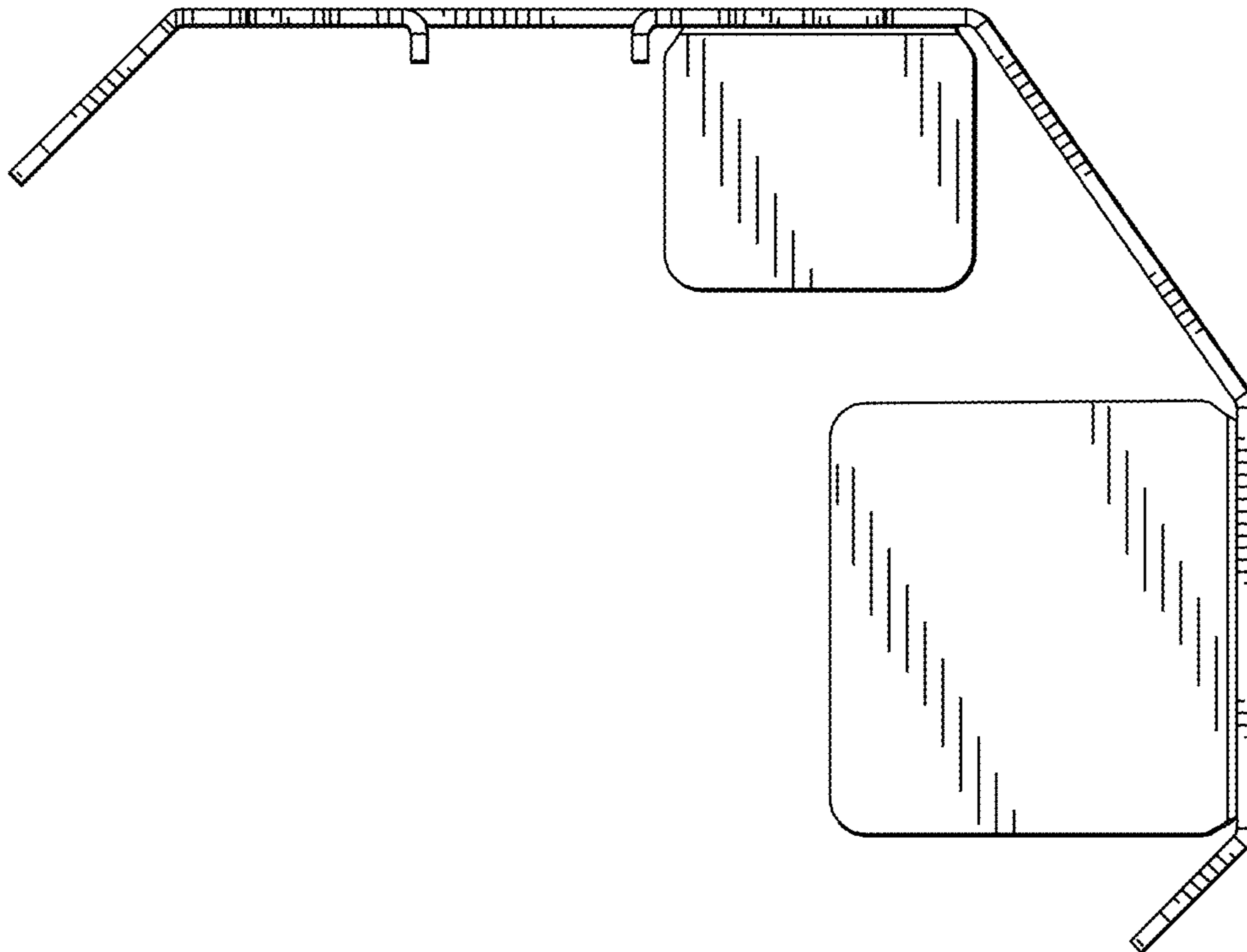


Fig. 6

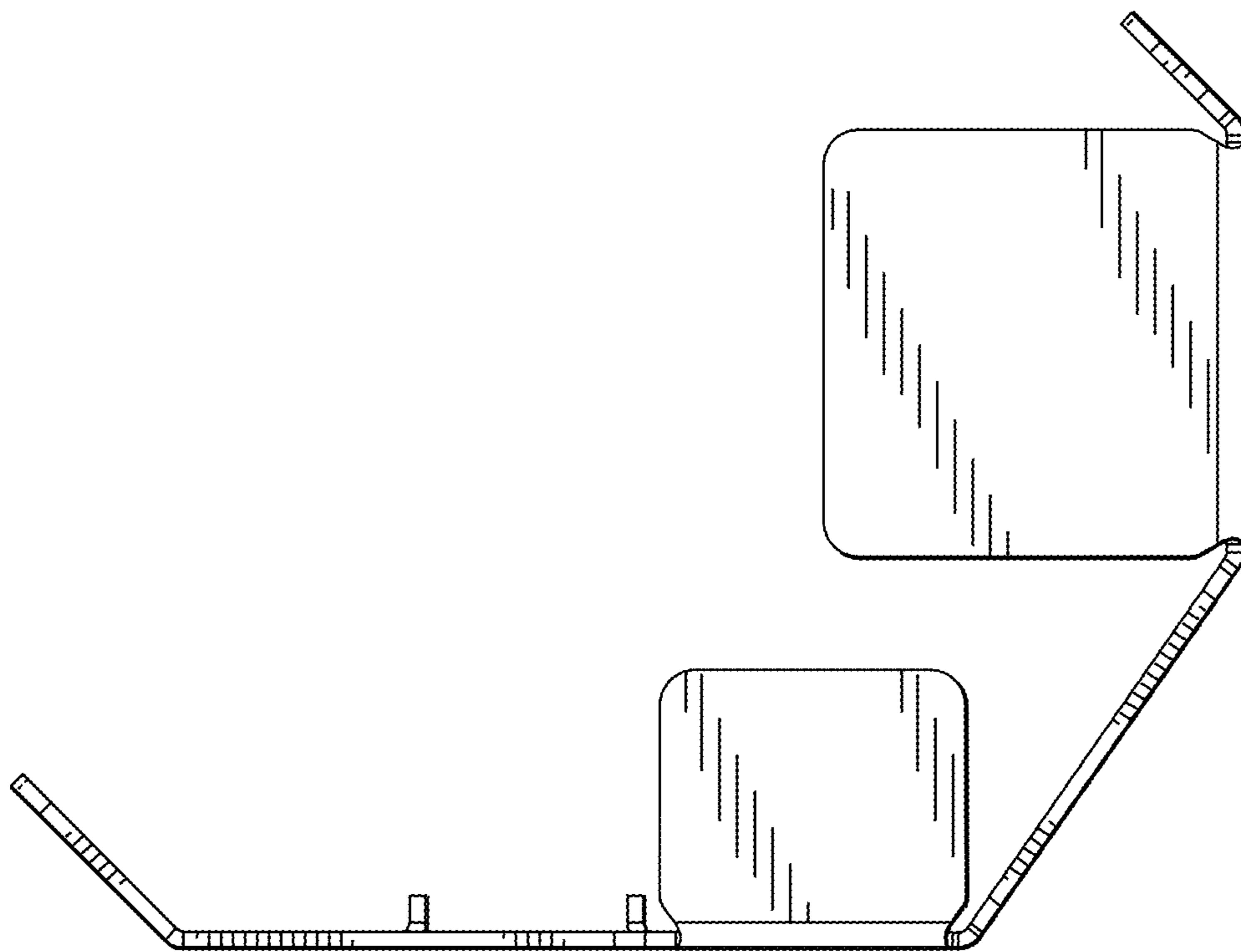


Fig. 7