



US00D793995S

(12) **United States Design Patent** (10) **Patent No.:** **US D793,995 S**
Nakagawa (45) **Date of Patent:** **** Aug. 8, 2017**

(54) **REMOTE CONTROL**
(71) Applicant: **Panasonic Corporation**, Osaka (JP)
(72) Inventor: **Hitoshi Nakagawa**, Osaka (JP)
(73) Assignee: **Panasonic Intellectual Property Management Co., Ltd.**, Osaka (JP)
(**) Term: **14 Years**
(21) Appl. No.: **29/502,527**
(22) Filed: **Sep. 17, 2014**

D490,070 S * 5/2004 Lee D14/188
D502,166 S * 2/2005 Nakamura D14/480.5
D522,487 S * 6/2006 Lee D14/155
D523,416 S * 6/2006 Tompkins D14/191
D530,681 S * 10/2006 Huang D13/168
D531,615 S * 11/2006 Lee D14/188
D533,542 S * 12/2006 Suzuki D14/218
D539,782 S * 4/2007 Lee D14/188
D548,728 S * 8/2007 Yoshiyama D14/218
D582,354 S * 12/2008 Andre D13/158
D593,131 S * 5/2009 Lee D14/496
D606,980 S * 12/2009 Bradford D14/218
D614,167 S * 4/2010 Brickstad D14/205
D625,294 S * 10/2010 Wada D14/218
D639,752 S * 6/2011 Li D13/168

(Continued)

(30) **Foreign Application Priority Data**

May 8, 2014 (JP) 2014-009834

(51) **LOC (10) Cl.** **14-03**

(52) **U.S. Cl.**
USPC **D14/218**

(58) **Field of Classification Search**

USPC D14/218, 455; D13/168; D21/566;
D10/104, 106; 345/169; 348/14.05, 114,
348/211.99, 734; 340/825.24; 341/22;
455/92, 95, 128, 151.1-151.4, 352, 355,
455/FOR. 121; 700/65

CPC G05D 1/0038; G08C 23/04; G08C 17/02;
H04N 5/23203; H04N 7/142; H03G 9/02;
H03G 3/001; H03G 1/02; H03G 3/04

See application file for complete search history.

(56) **References Cited**

U.S. PATENT DOCUMENTS

D316,550 S * 4/1991 Sogabe D14/168
D371,133 S * 6/1996 Andrea D14/206
D458,248 S * 6/2002 Davies D14/206
D473,217 S * 4/2003 Rivera D14/223
D475,996 S * 6/2003 Skulley D14/223
D481,374 S * 10/2003 Lee D14/188
D490,069 S * 5/2004 Lee D14/188

FOREIGN PATENT DOCUMENTS

JP D1410508 4/2011
JP D1419126 7/2011

Primary Examiner — John Windmuller

(74) *Attorney, Agent, or Firm* — Panasonic IP Management; Kerry S. Culpepper

(57) **CLAIM**

I claim the ornamental design for a remote control, as shown and described.

DESCRIPTION

FIG. 1 is a front perspective view of a remote control of the present invention;

FIG. 2 is a front view thereof;

FIG. 3 is a rear view thereof;

FIG. 4 is a first side view thereof;

FIG. 5 is a second side view thereof;

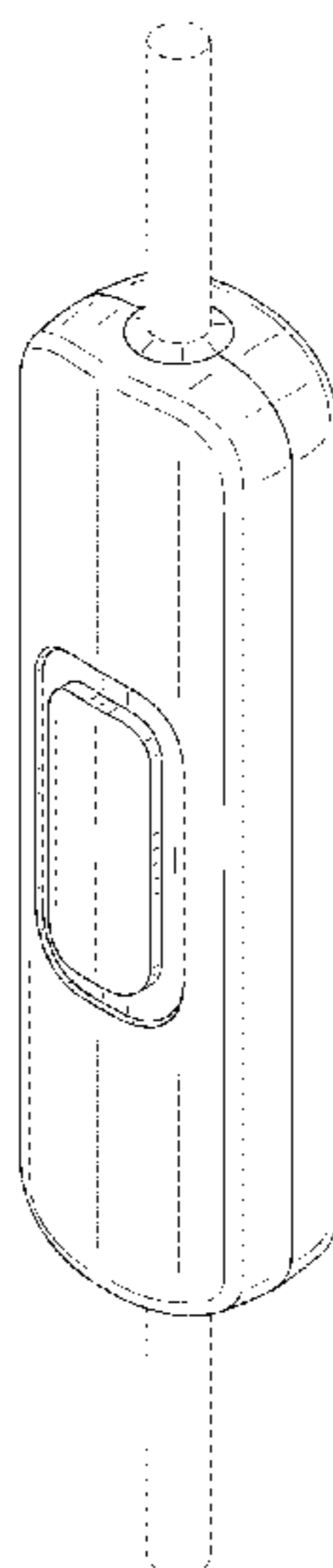
FIG. 6 is a top view thereof;

FIG. 7 is a bottom view thereof; and,

FIG. 8 is a sectional view taken at line 8-8 in FIG. 2.

The broken lines in the figures depict portions of the remote control that form no part of the claimed design.

1 Claim, 8 Drawing Sheets



(56)

References Cited

U.S. PATENT DOCUMENTS

D643,832 S *	8/2011	Park	D14/218
D651,589 S *	1/2012	Fischer	D14/218
D663,702 S *	7/2012	Naitou	D13/168
D685,750 S *	7/2013	Nakagawa	D13/168
D716,268 S *	10/2014	Yamamoto	D14/218
D725,625 S *	3/2015	Hsieh	D14/205
D726,831 S *	4/2015	Lee	D13/168
D728,528 S *	5/2015	Akana	D14/218
D731,456 S *	6/2015	Dahlberg	D14/205
D743,381 S *	11/2015	Pi	D14/218
D758,353 S *	6/2016	Akana	D14/218

* cited by examiner

FIG. 1

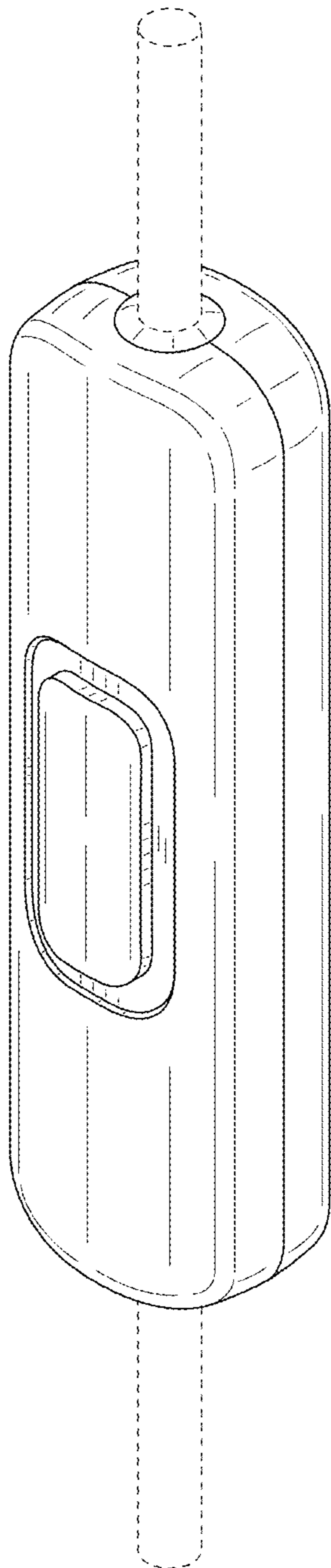


FIG. 2

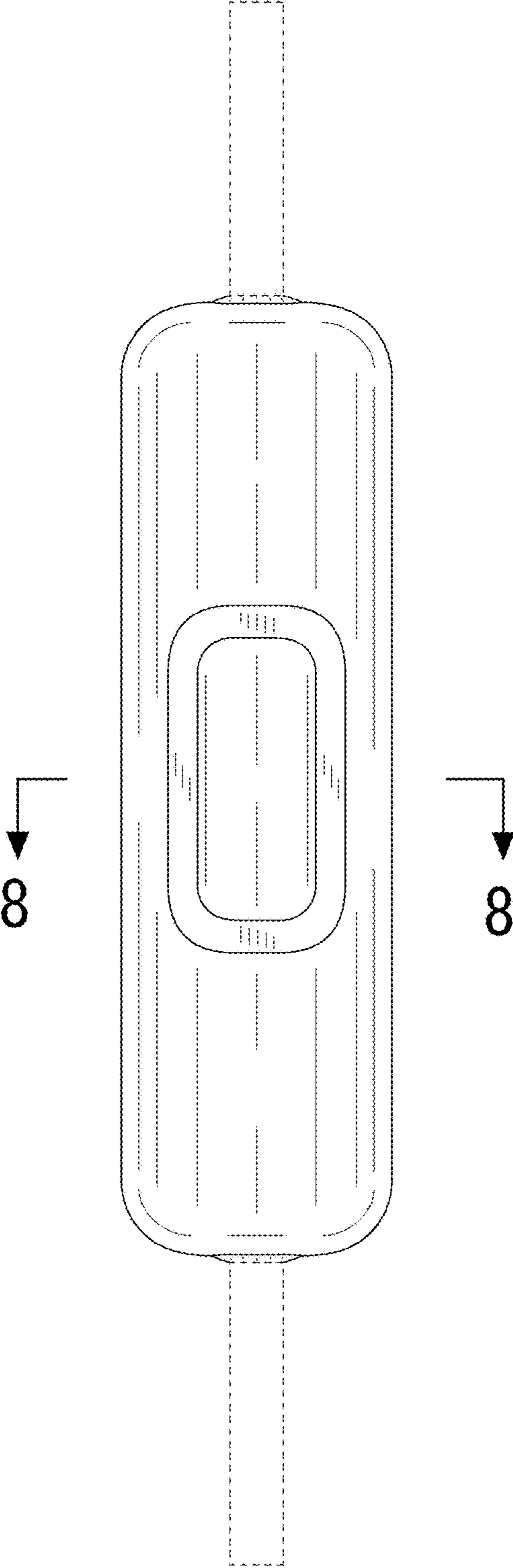


FIG. 3

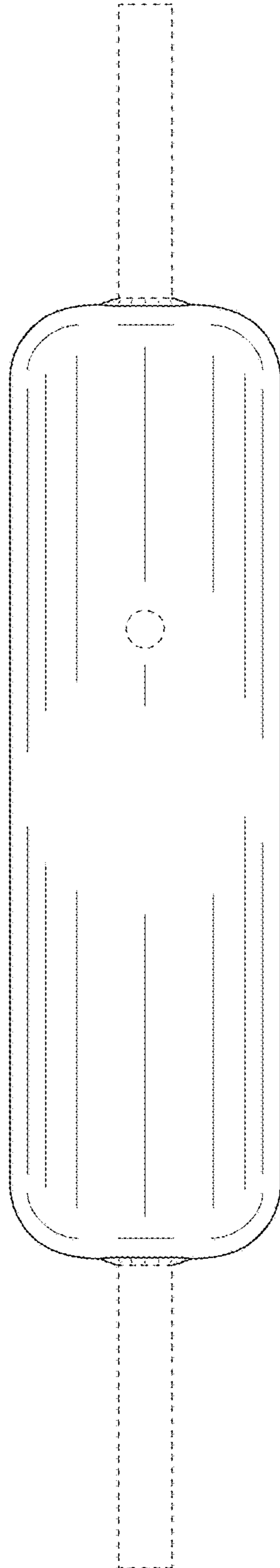


FIG. 4

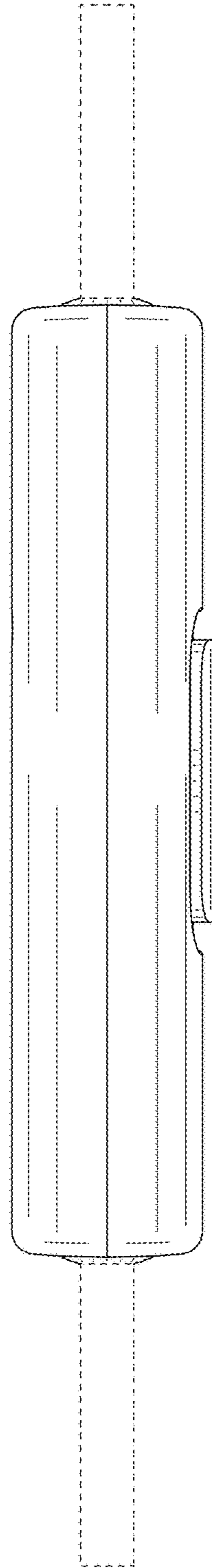


FIG. 5

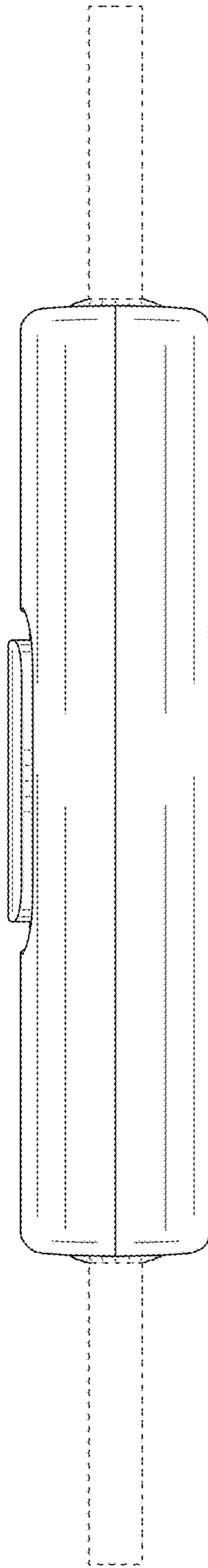


FIG. 6

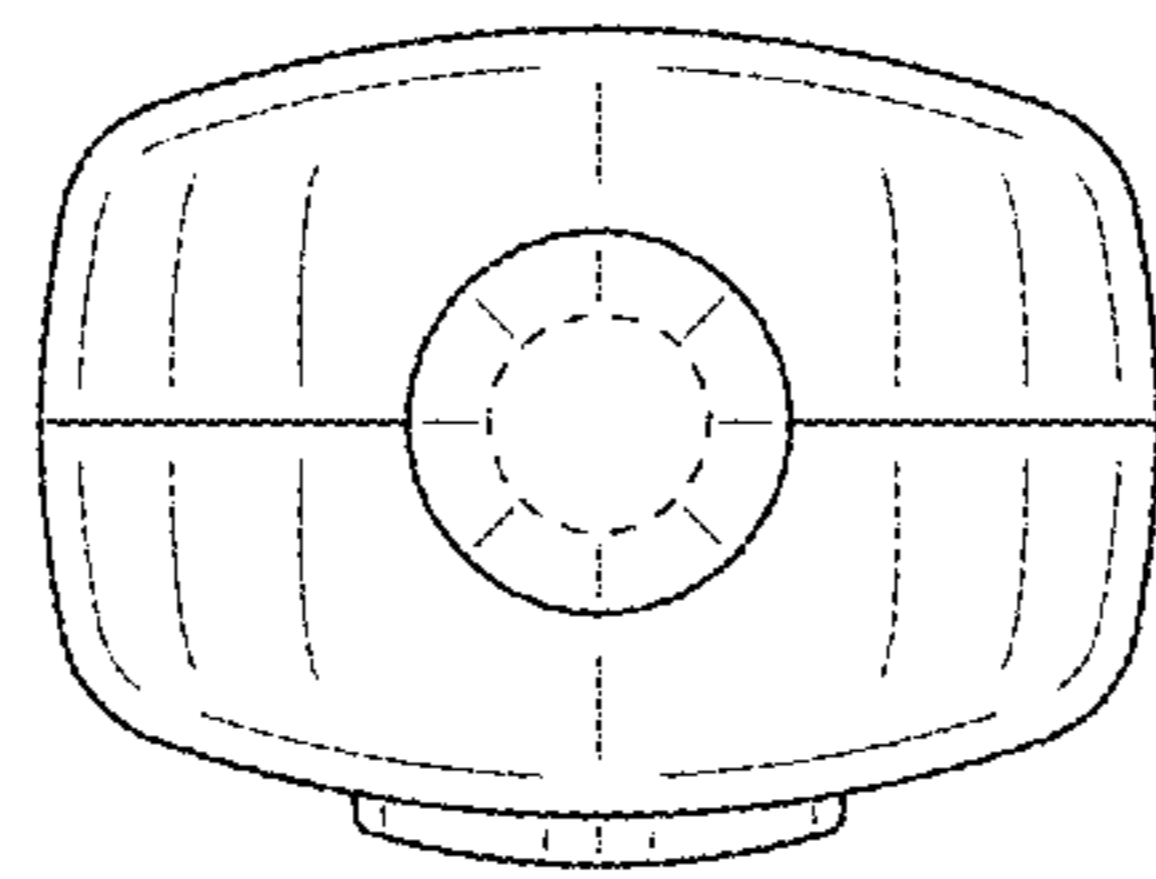


FIG. 7

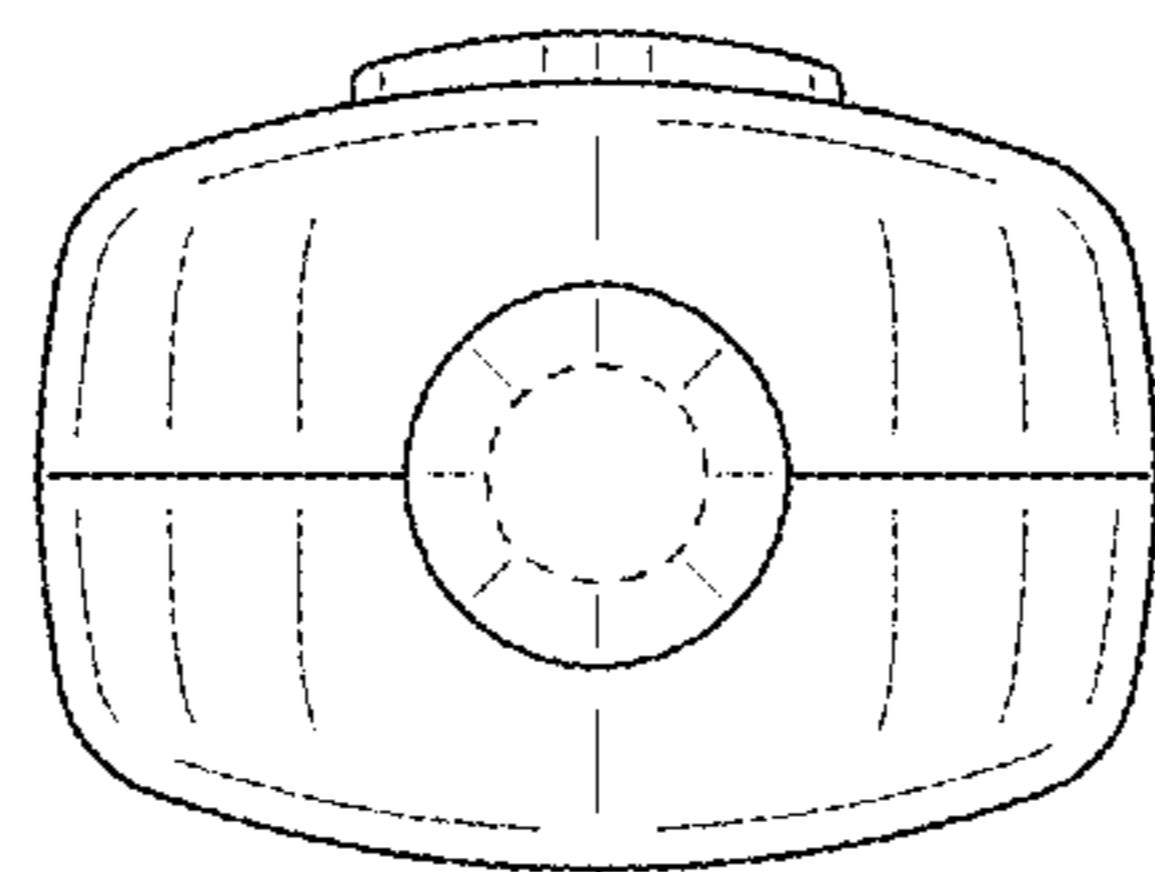


FIG. 8

