



US00D793993S

(12) **United States Design Patent**  
**Song**

(10) **Patent No.:** **US D793,993 S**

(45) **Date of Patent:** **\*\* Aug. 8, 2017**

(54) **WIRELESS SPEAKER**

(71) Applicant: **Gibson Innovations Belgium NV**,  
Leuven (BE)

(72) Inventor: **Jinyoung Song**, Hong Kong (KR)

(73) Assignee: **Gibson Innovations Belgium NV**,  
Leuven (BE)

(\*\*) Term: **15 Years**

(21) Appl. No.: **29/549,736**

(22) Filed: **Dec. 28, 2015**

(51) **LOC (10) Cl.** ..... **14-01**

(52) **U.S. Cl.**  
USPC ..... **D14/214**

(58) **Field of Classification Search**  
USPC ..... D14/204, 156, 162, 168, 170–171, 172,  
D14/192, 193, 188, 211–216, 219, 221,  
D14/222, 224, 196; 181/150–153, 157,  
181/198, 199; 381/300–303, 306, 332,  
381/333, 336, 345, 361–364, 386–388  
CPC ... H04R 1/02; H04R 5/00; H04R 5/02; H05K  
5/00

See application file for complete search history.

(56) **References Cited**

**U.S. PATENT DOCUMENTS**

D319,057 S *	8/1991	Oura	.....	D14/163
D389,483 S *	1/1998	Christie	.....	D14/214
D418,836 S *	1/2000	Matt	.....	D14/196
D503,396 S *	3/2005	Hisatsune	.....	D14/214
D505,941 S *	6/2005	Hirano	.....	D14/215
D512,988 S *	12/2005	Green	.....	D14/214
D516,542 S *	3/2006	Kang	.....	D14/214
D535,281 S *	1/2007	Yang	.....	D14/203.3
D535,942 S *	1/2007	Kim	.....	D13/108
D535,974 S *	1/2007	Alwicker	.....	D14/188
D540,782 S *	4/2007	Katsumata	.....	D14/214

D542,272 S *	5/2007	Shiono	.....	D14/214
D543,553 S *	5/2007	Langberg	.....	D14/496
D553,611 S *	10/2007	Gan	.....	D14/168
D578,105 S *	10/2008	Komiyama	.....	D14/214
D579,915 S *	11/2008	Yeo	.....	D14/214
D598,006 S *	8/2009	Tse	.....	D14/209.1
D608,343 S *	1/2010	Skurdal	.....	D14/204
D621,384 S *	8/2010	Kao	.....	D14/214
D636,759 S *	4/2011	Chen	.....	D14/214
D648,743 S *	11/2011	Chang	.....	D14/168
D655,272 S *	3/2012	Kawase	.....	D14/194
D655,276 S *	3/2012	Joseph	.....	D14/214
D666,167 S *	8/2012	Pietzsch	.....	D14/196
D674,777 S *	1/2013	Tsai	.....	D14/204
D674,779 S *	1/2013	Joseph	.....	D14/214

(Continued)

*Primary Examiner* — Paula Greene

(74) *Attorney, Agent, or Firm* — Bates & Bates, LLC

(57) **CLAIM**

What is claimed is the ornamental design for a wireless speaker, as shown and described.

**DESCRIPTION**

FIG. 1 is a perspective view of a wireless speaker showing my new design;

FIG. 2 is a front view thereof;

FIG. 3 is a rear view thereof;

FIG. 4 is a right side view thereof;

FIG. 5 is a left side view thereof;

FIG. 6 is a top view thereof;

FIG. 7 is a bottom view thereof;

FIG. 8 is a perspective view of an alternative embodiment of a wireless speaker showing my new design;

FIG. 9 is a front view thereof;

FIG. 10 is a rear view thereof;

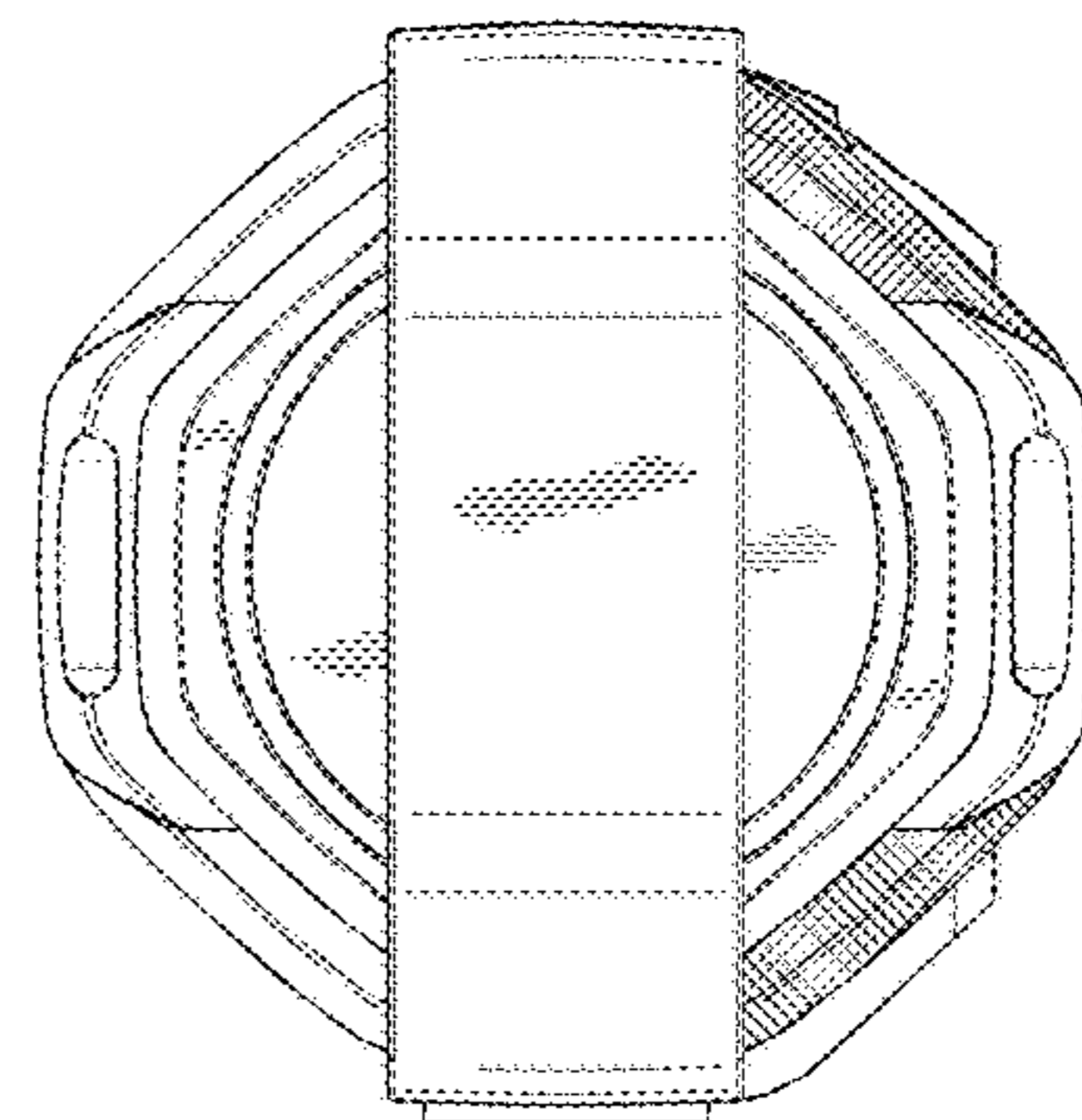
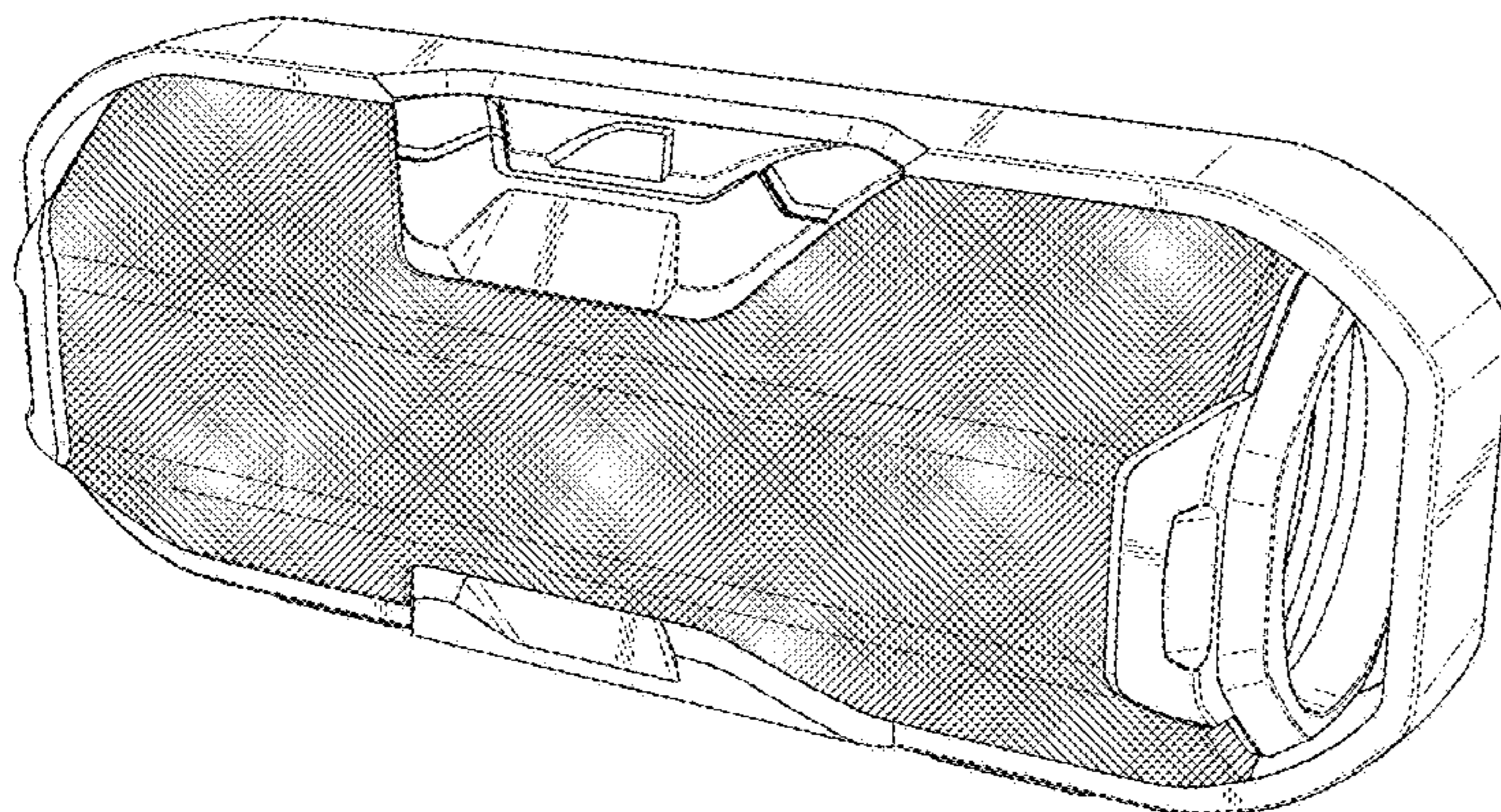
FIG. 11 is a right side view thereof;

FIG. 12 is a left side view thereof;

FIG. 13 is a top view thereof; and,

FIG. 14 is a bottom view thereof.

**1 Claim, 12 Drawing Sheets**



(56)

## References Cited

## U.S. PATENT DOCUMENTS

D676,418 S \* 2/2013 Suzuki ..... D14/209.1  
D681,604 S \* 5/2013 Funayama ..... D14/209.1  
D690,281 S \* 9/2013 Carr ..... D14/204  
D690,286 S \* 9/2013 Petersen ..... D14/209.1  
D710,824 S \* 8/2014 Mackiewicz ..... D14/214  
D710,825 S \* 8/2014 Floreczak ..... D14/214  
D715,766 S \* 10/2014 Osborn ..... D14/210  
D719,932 S \* 12/2014 Osborn ..... D14/214  
D726,142 S \* 4/2015 Itoh ..... D14/196  
D726,686 S \* 4/2015 Yoon ..... D14/216  
D729,762 S \* 5/2015 Hu ..... D14/194  
D731,467 S \* 6/2015 Brunner ..... D14/216  
D736,746 S \* 8/2015 Cheng ..... D14/217  
D738,848 S \* 9/2015 Loudon ..... D14/192  
D741,294 S \* 10/2015 Zhu ..... D14/214  
D742,360 S \* 11/2015 Narita ..... D14/213  
D749,543 S \* 2/2016 Lovegrove ..... D14/212  
D752,013 S \* 3/2016 Benedetti ..... D14/204  
D753,093 S \* 4/2016 Garfio ..... D14/214  
D755,754 S \* 5/2016 Schwartz ..... D14/212  
D756,330 S \* 5/2016 Silvera ..... D14/204  
D759,632 S \* 6/2016 Fischer ..... D14/204  
D762,154 S \* 7/2016 Kanki ..... D12/192  
D762,155 S \* 7/2016 Juergens ..... D12/211  
D763,819 S \* 8/2016 Silvera ..... D14/204  
D768,598 S \* 10/2016 Skelton ..... D14/203.1  
D770,423 S \* 11/2016 Osborn ..... D14/204  
D771,585 S \* 11/2016 Espinosa ..... D14/204  
2009/0112338 A1 \* 4/2009 Ueda ..... H04M 1/6066  
700/94  
2012/0300962 A1 \* 11/2012 Devoto ..... H04R 5/02  
381/300  
2015/0195635 A1 \* 7/2015 Garfio ..... H04R 1/02  
381/386

\* cited by examiner

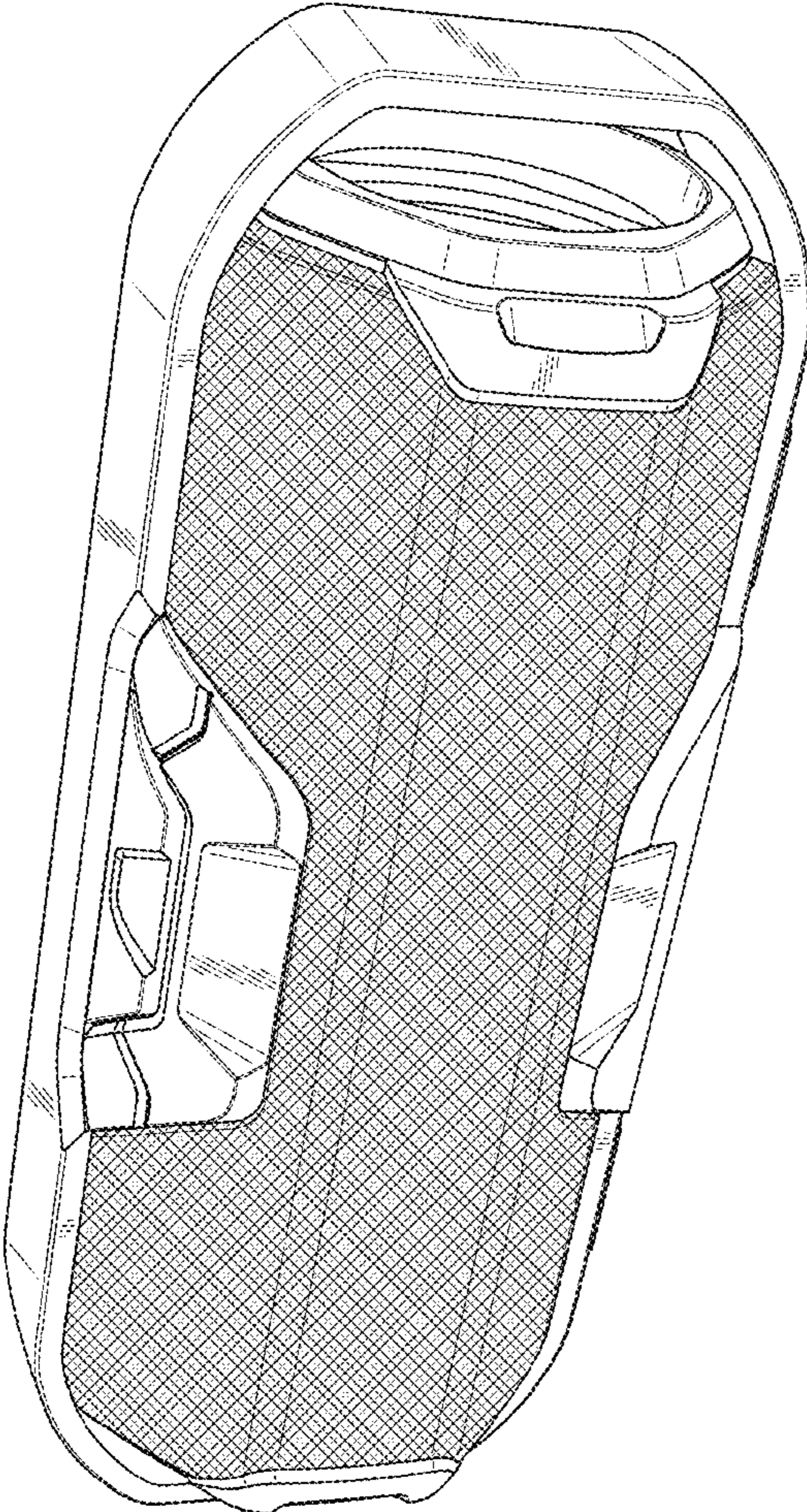


FIG. 1

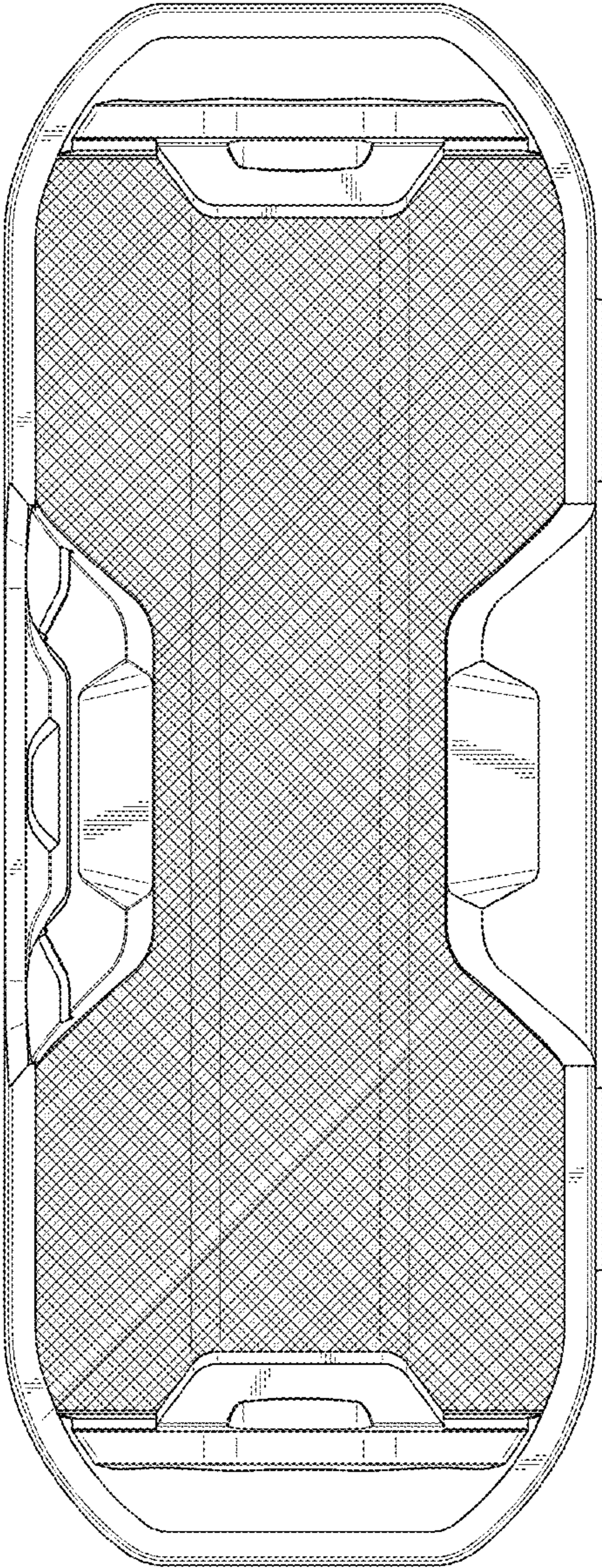


FIG. 2

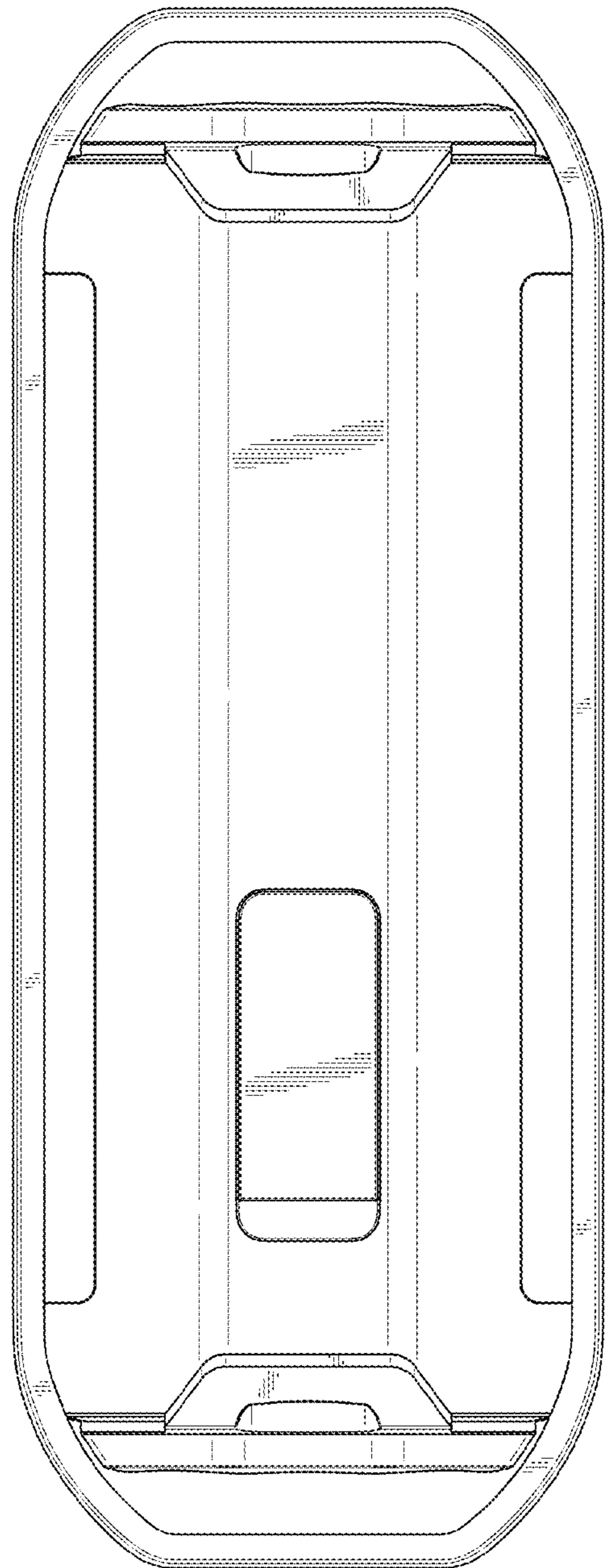


FIG. 3

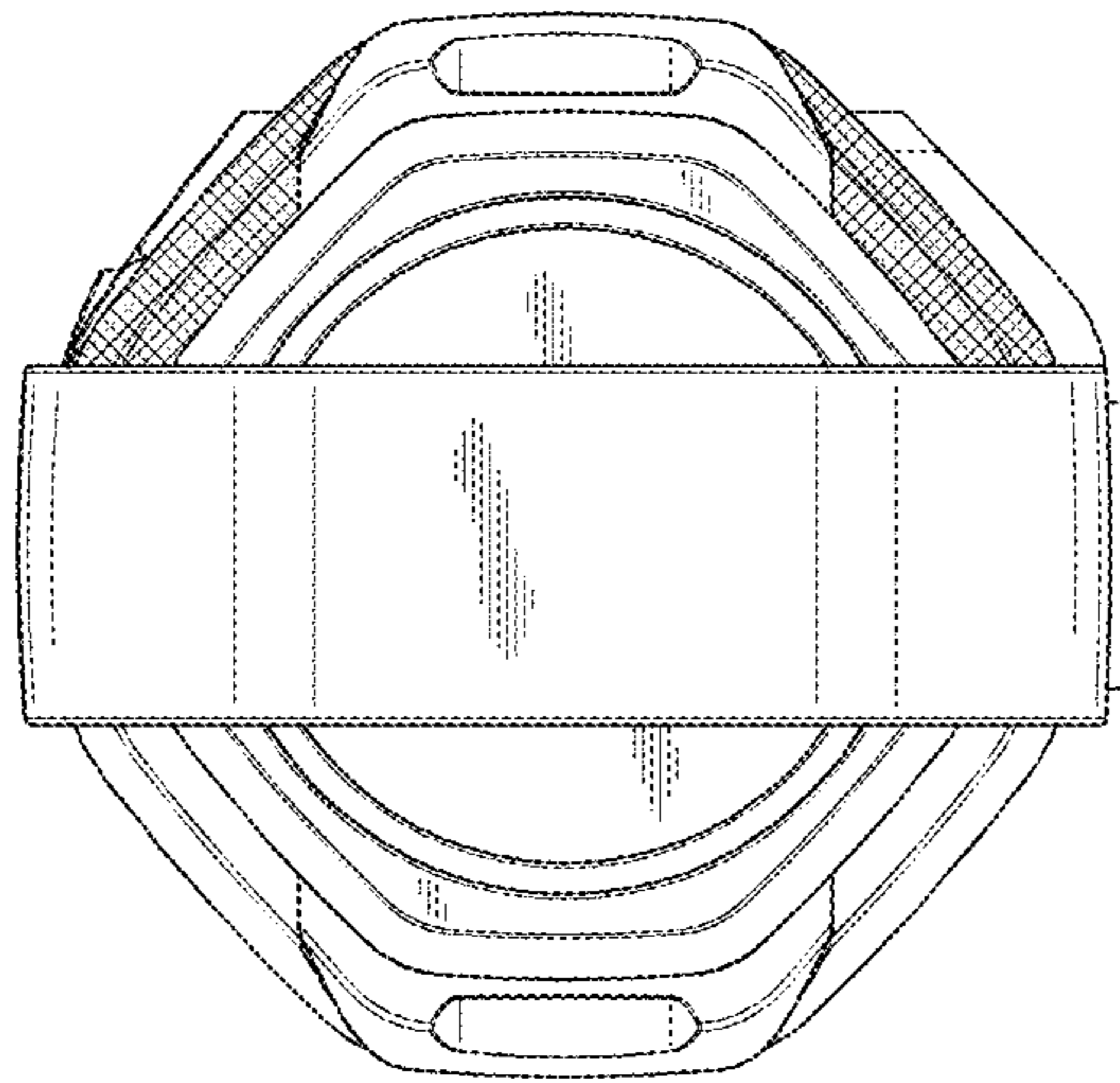


FIG. 5

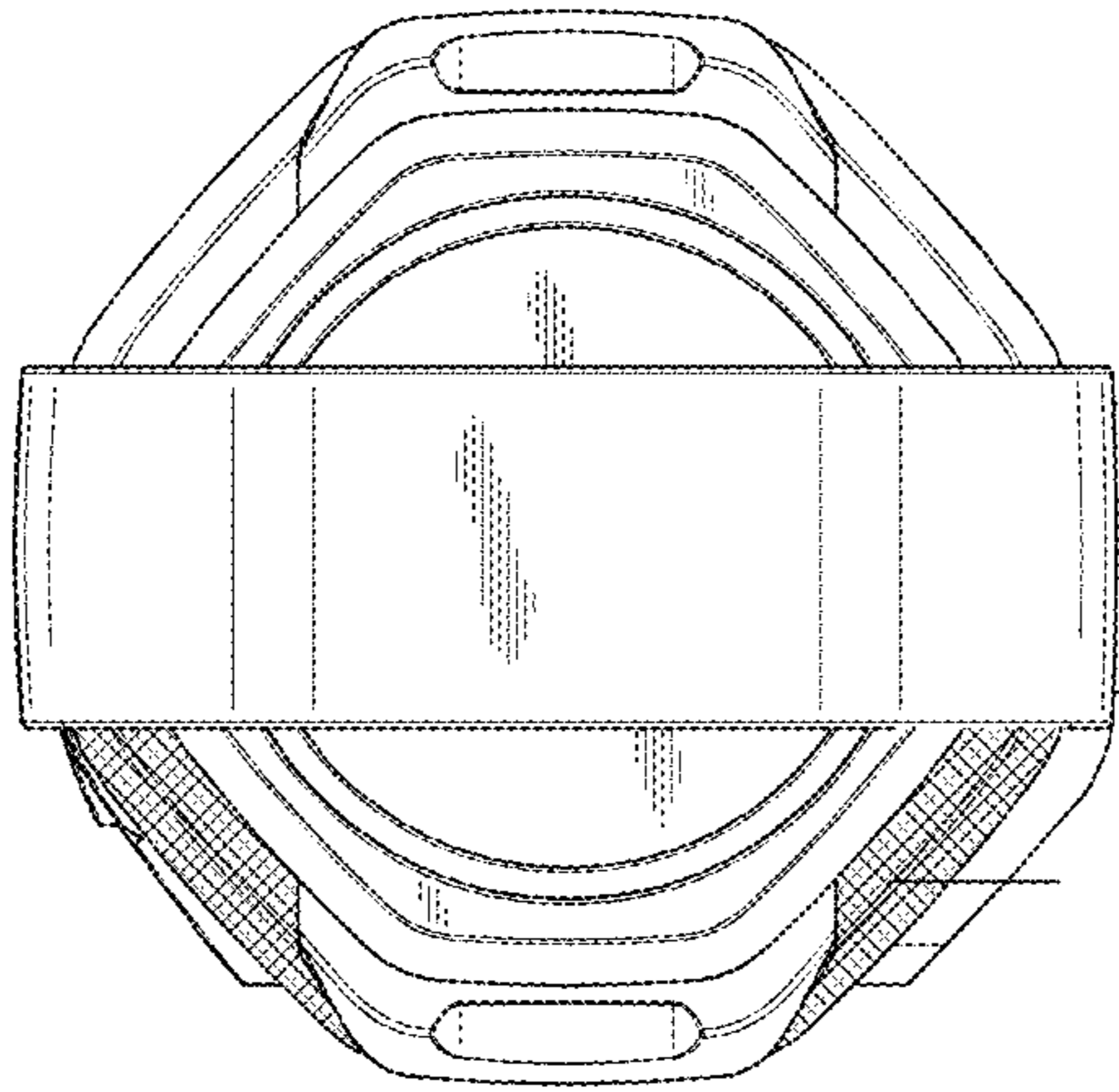


FIG. 4

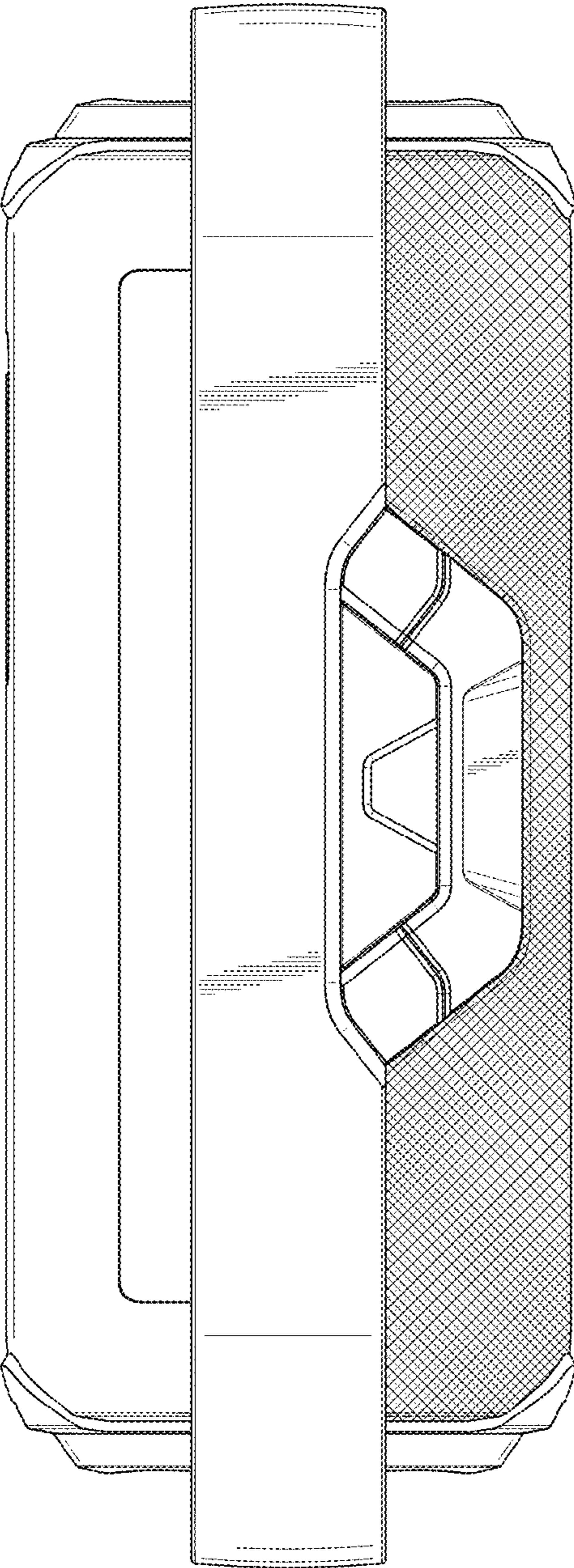


FIG. 6

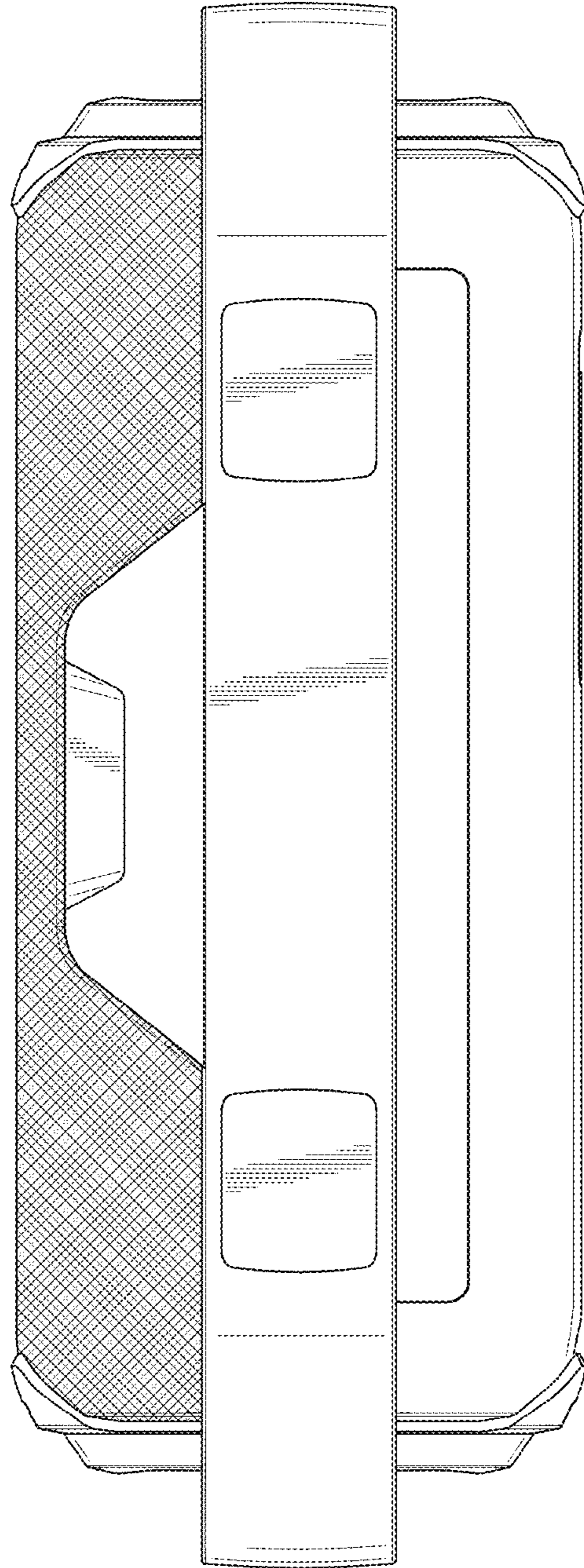


FIG. 7



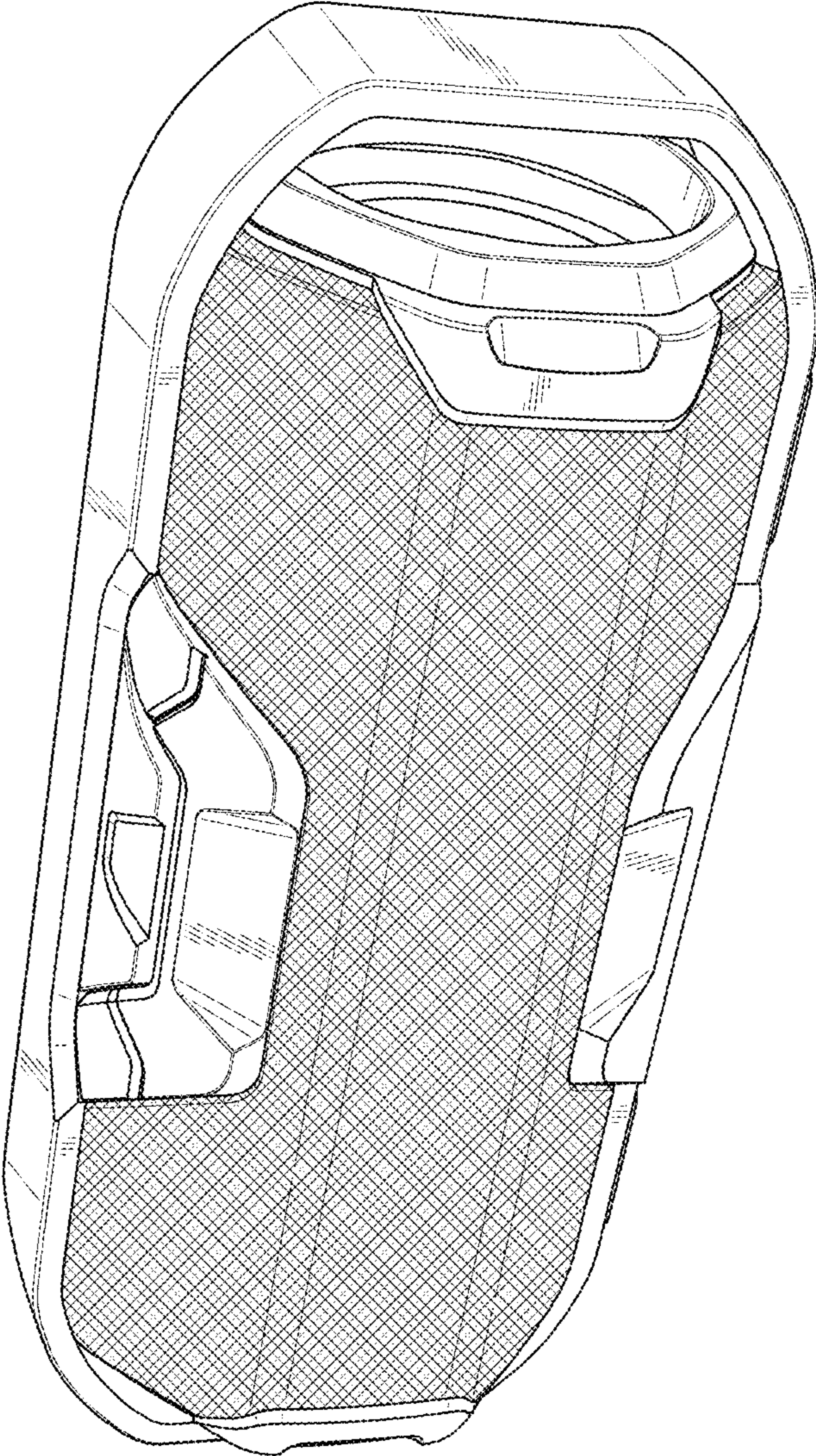


FIG. 8

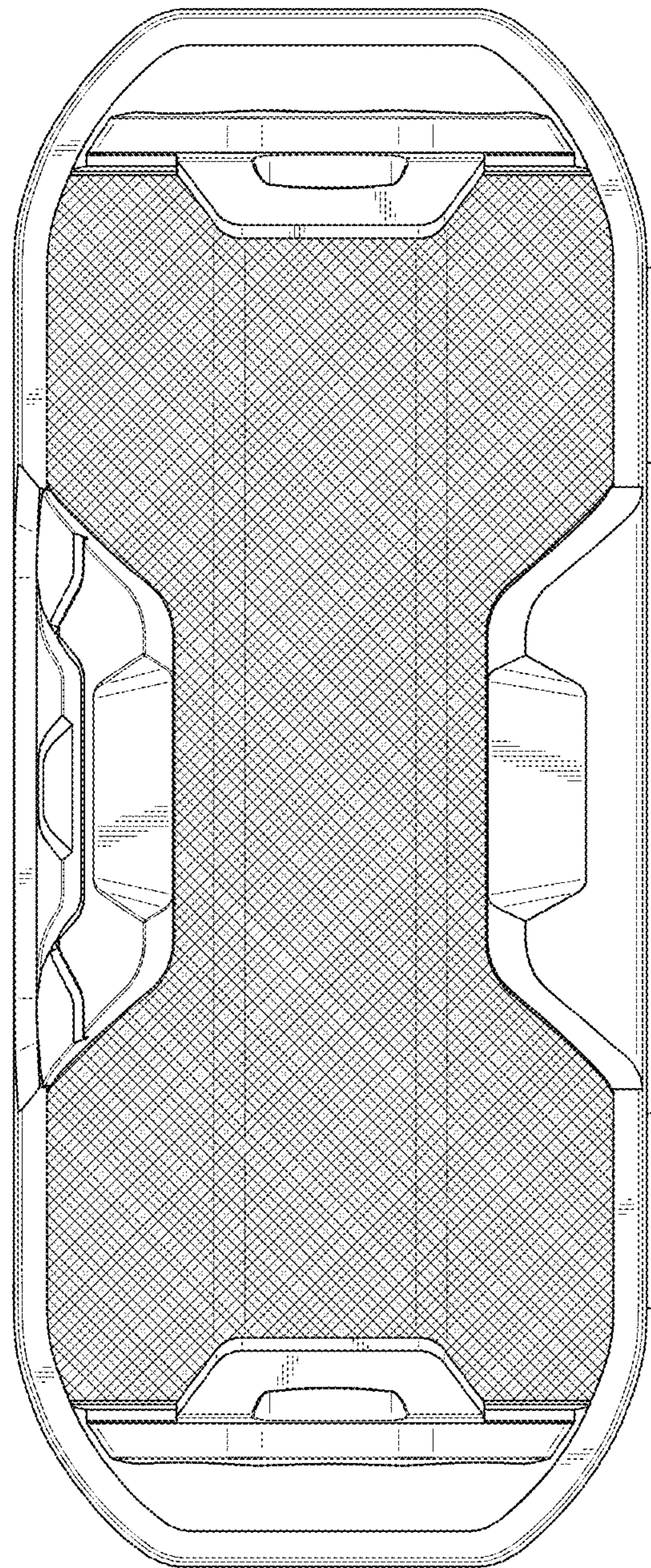


FIG. 9

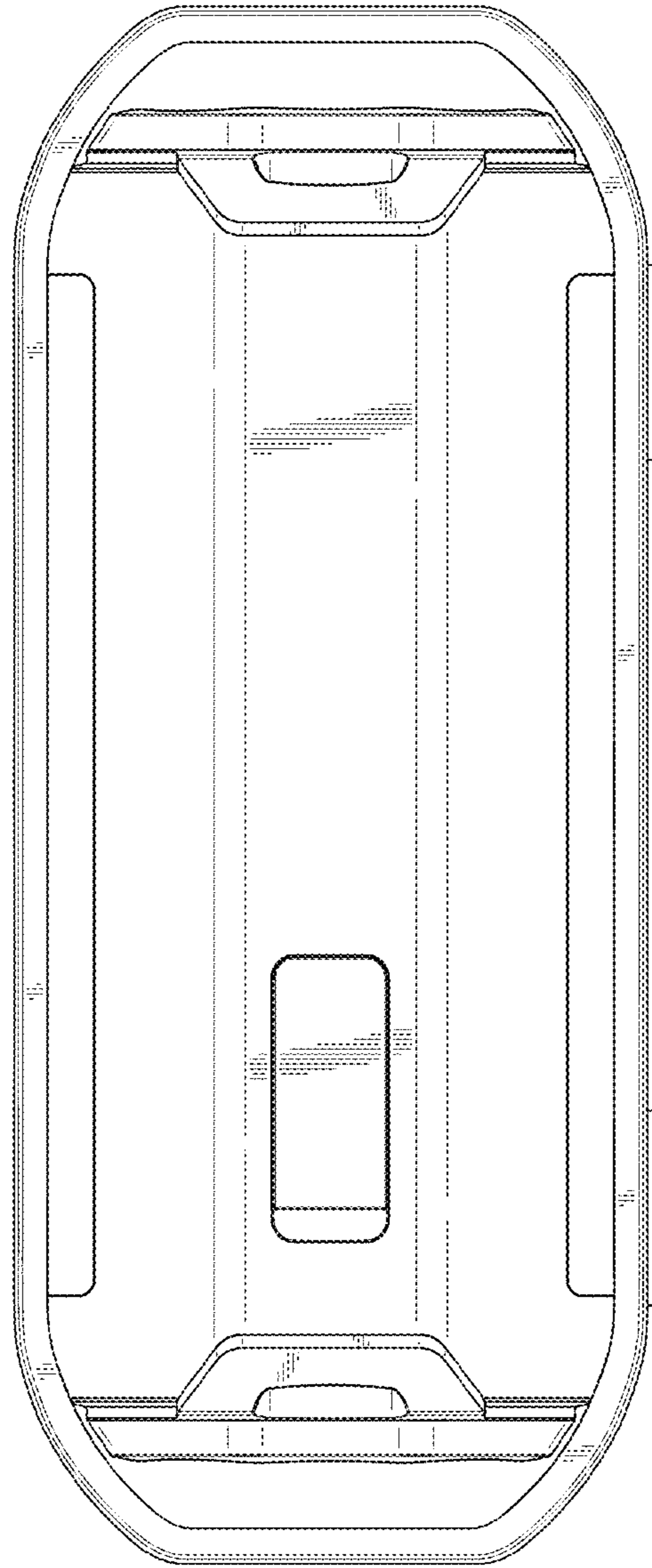


FIG. 10

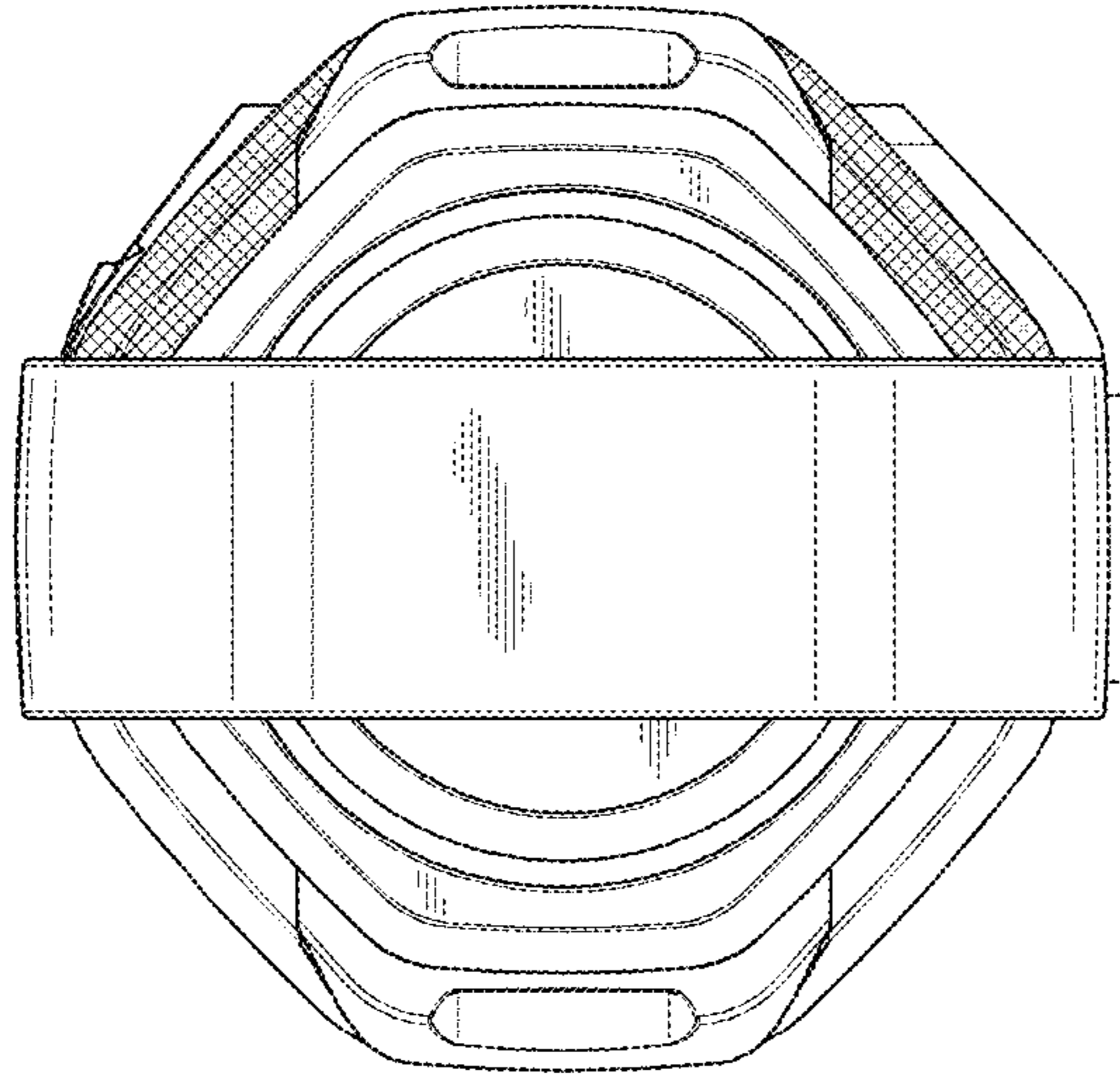


FIG. 11

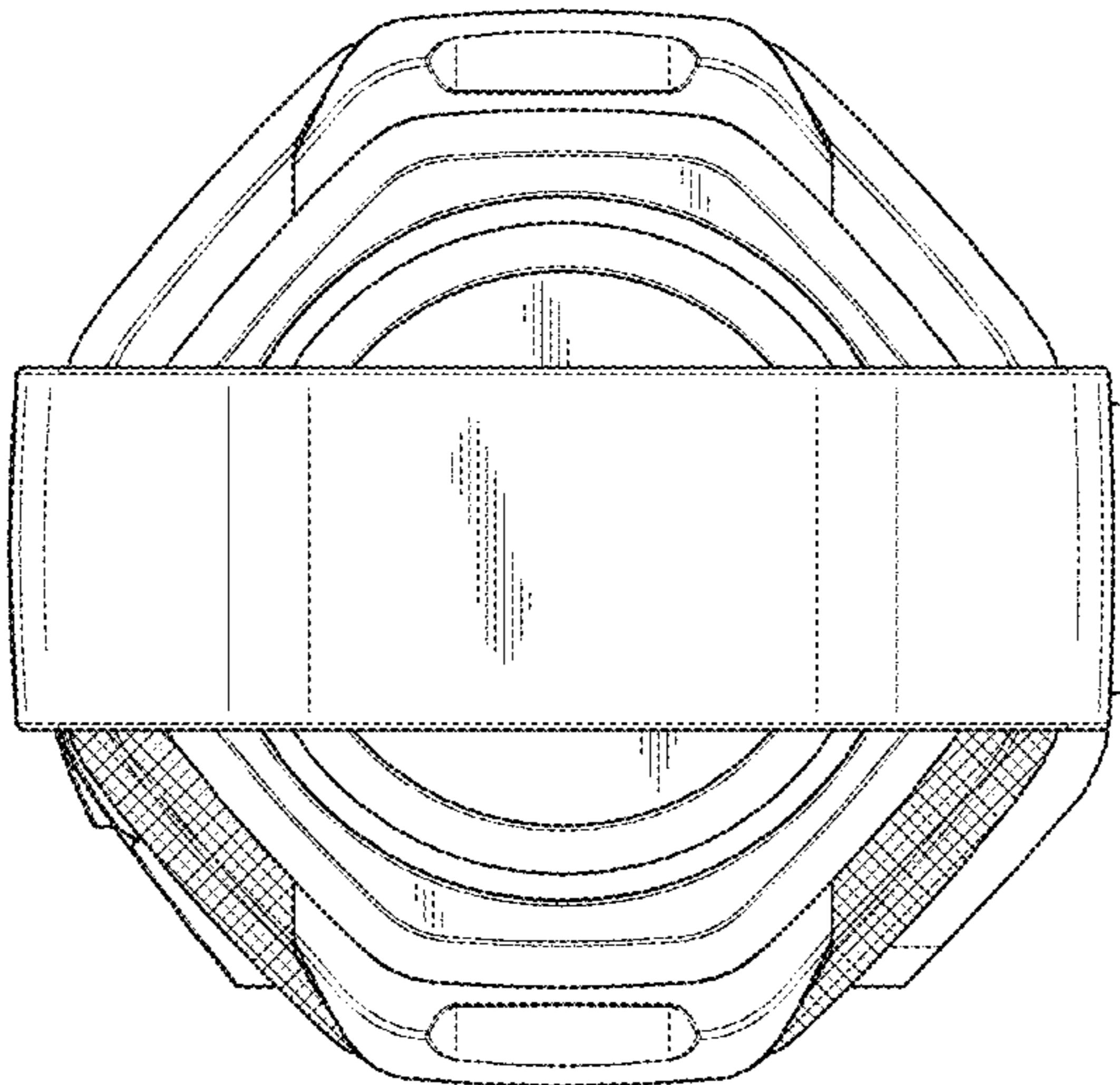


FIG. 12

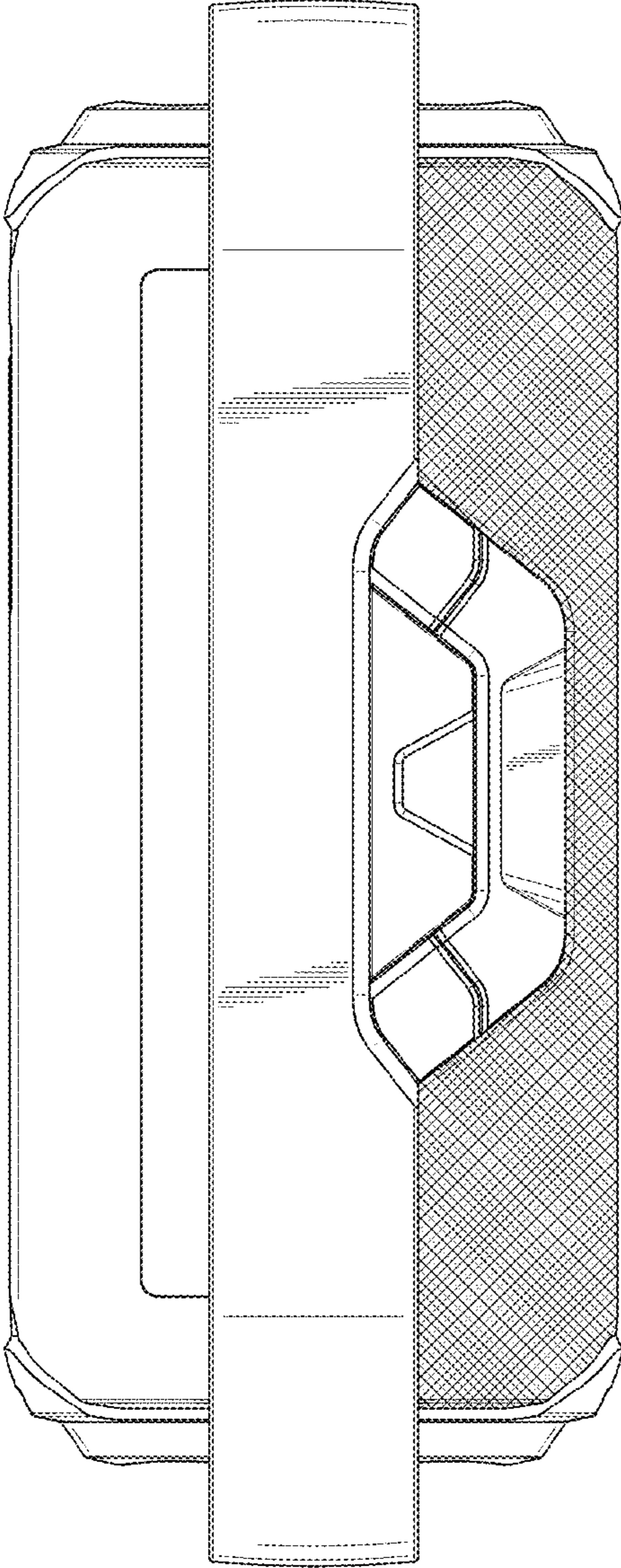


FIG. 13

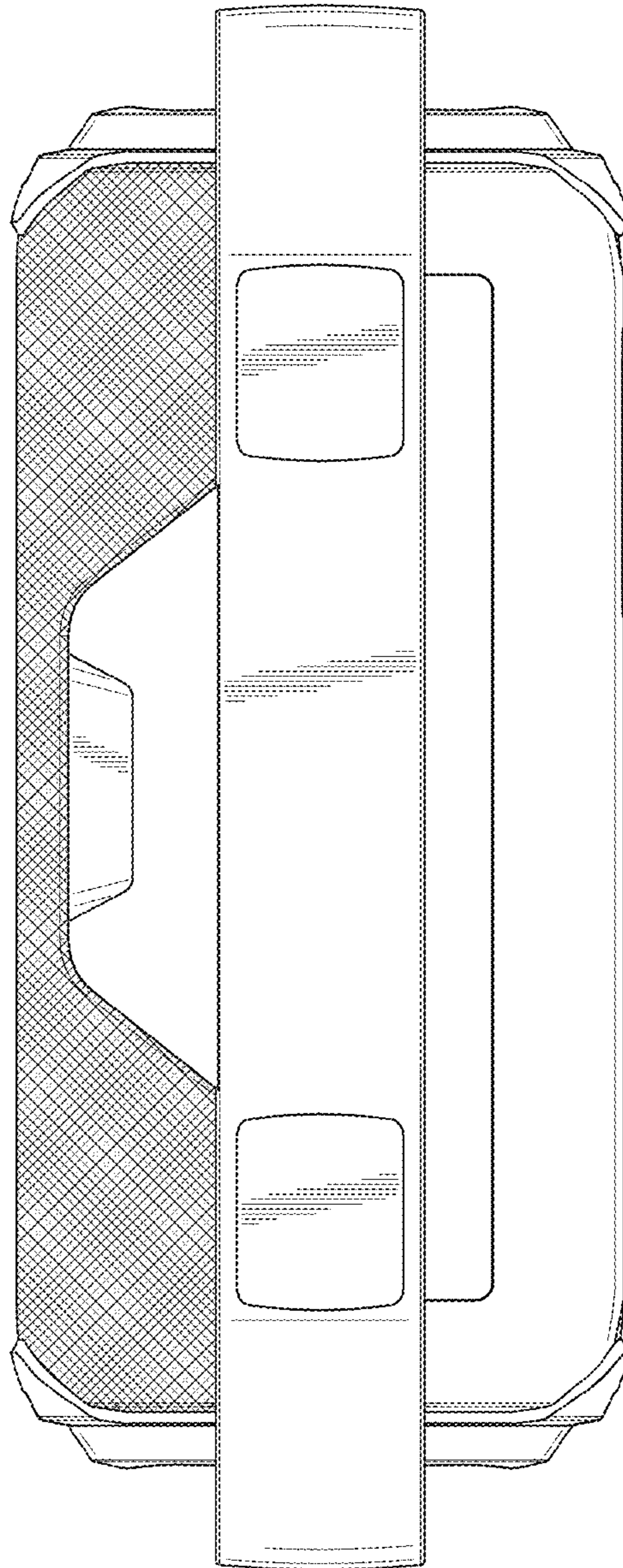


FIG. 14