



US00D793991S

(12) **United States Design Patent**
Wang

(10) **Patent No.:** **US D793,991 S**

(45) **Date of Patent:** **** Aug. 8, 2017**

(54) **INTEGRATED LOSSLESS AUDIO WIFI
SPEAKER**

(71) Applicant: **SHENZHEN QUESTYLE AUDIO
TECHNOLOGY CO., LTD**, Shenzhen
(CN)

(72) Inventor: **Fengshuo Wang**, Guangdong (CN)

(**) Term: **15 Years**

(21) Appl. No.: **29/553,000**

(22) Filed: **Jan. 27, 2016**

(51) **LOC (10) Cl.** **14-01**

(52) **U.S. Cl.**

USPC **D14/210**; D14/204

(58) **Field of Classification Search**

USPC D14/168, 188, 194, 195, 196, 204, 210,
D14/211, 212, 213, 214, 215, 216

CPC B60R 11/0217; G06F 1/1688; G10K 9/22;
G10K 11/004; H03F 1/327; H04M 1/03;

H04M 1/035; H04N 5/642; H04N

21/4852; H04S 3/00; H04S 7/30; H04R

1/02; H04R 1/06; H04R 1/021; H04R

1/025; H04R 1/026; H04R 1/028; H04R

1/105; H04R 1/323; H04R 1/403; H04R

1/2803; H04R 1/2834; H04R 5/02; H04R

7/20; H04R 9/06; H04R 9/025; H04R

2201/021; H04R 2400/00; H04R 2400/07;

H04R 2499/11; H04R 2499/13; H04R

2499/15

See application file for complete search history.

(56) **References Cited**

U.S. PATENT DOCUMENTS

D515,067 S * 2/2006 Yoshitake D14/168

D571,779 S * 6/2008 Matsuoka D14/168

D573,979 S * 7/2008 Barnett D14/214

D575,272 S * 8/2008 Shih D14/214

D578,108 S * 10/2008 Shih D14/214

D597,075 S * 7/2009 Irii D14/214

D621,384 S * 8/2010 Kao D14/214

D700,166 S * 2/2014 Petersen D14/204

D714,253 S * 9/2014 Aglassinger D14/188

D720,722 S * 1/2015 Lee D14/210

D740,788 S * 10/2015 Kim D14/214

D761,227 S * 7/2016 Poandl D14/171

D769,212 S * 10/2016 Larsen D14/204

OTHER PUBLICATIONS

Aosmart Speaker, announced Jun. 23, 2016 [online—dated via WayBack Machine], [site visited Mar. 30, 2017]. Available from internet, URL: <<https://web.archive.org/web/20160623092711/http://www.aosmart.com/?p=10339>>.*

* cited by examiner

Primary Examiner — Keli L Hill

Assistant Examiner — Karra S Johnson

(74) *Attorney, Agent, or Firm* — Prakash Nama; Global IP Services, PLLC

(57) **CLAIM**

The ornamental design for an integrated lossless audio WIFI speaker, as shown.

DESCRIPTION

FIG. 1 is a front elevational view of an integrated lossless audio WIFI speaker showing my new design;

FIG. 2 is a rear elevational view thereof;

FIG. 3 is a left side view thereof;

FIG. 4 is a right side view thereof;

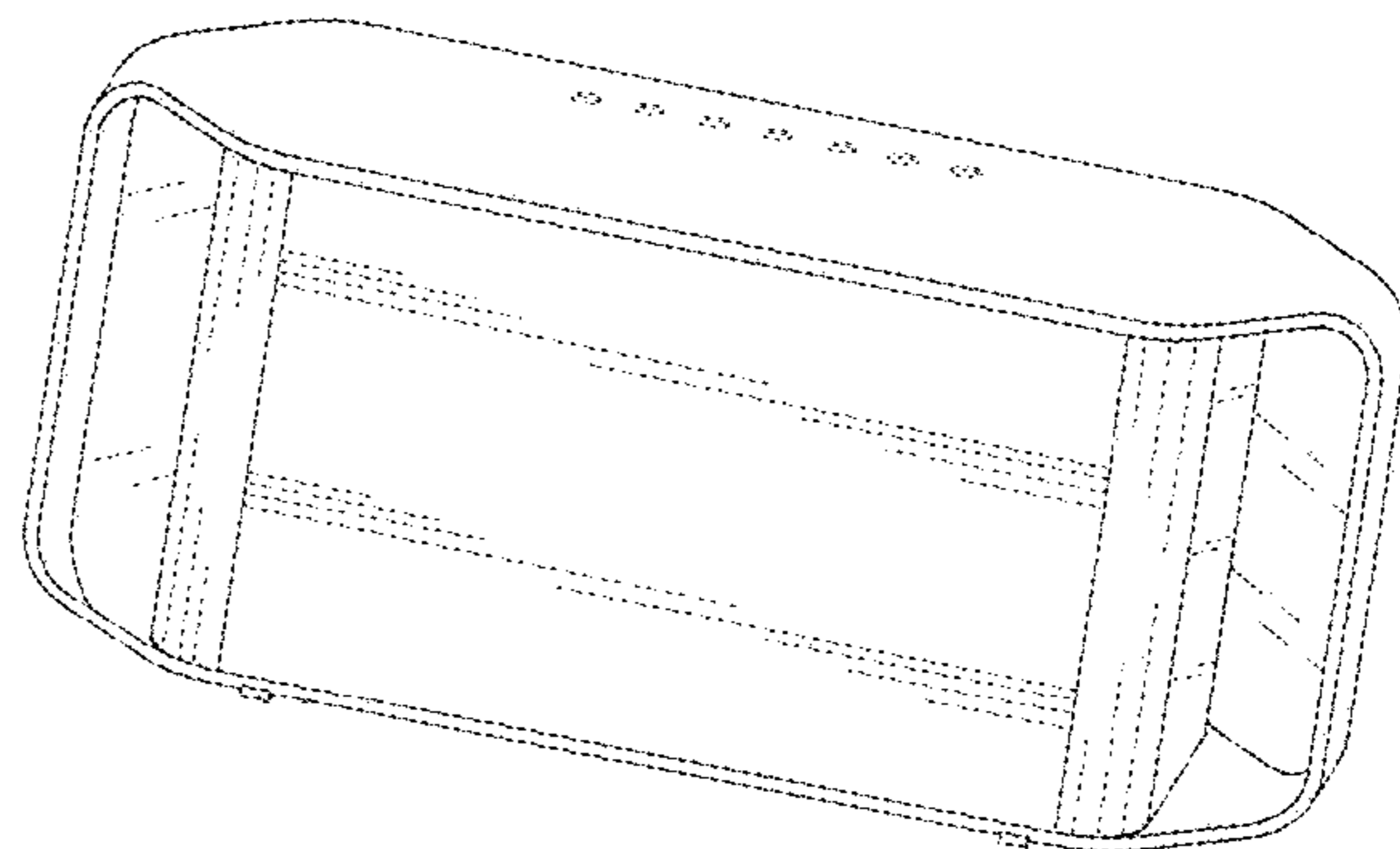
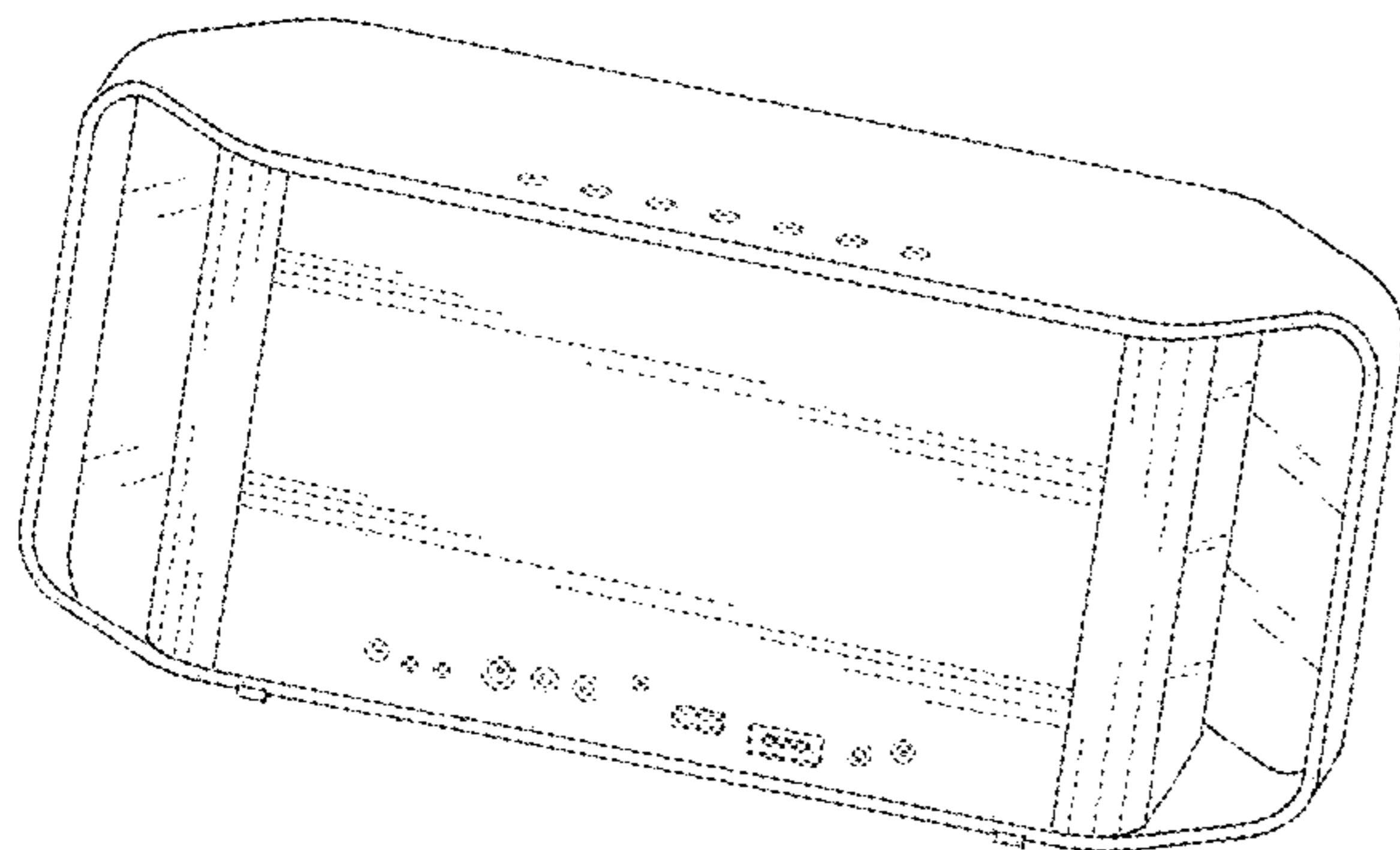
FIG. 5 is a top plan view thereof;

FIG. 6 is a bottom plan view thereof;

FIG. 7 is a perspective view thereof; and,

FIG. 8 is another perspective view thereof.

1 Claim, 3 Drawing Sheets



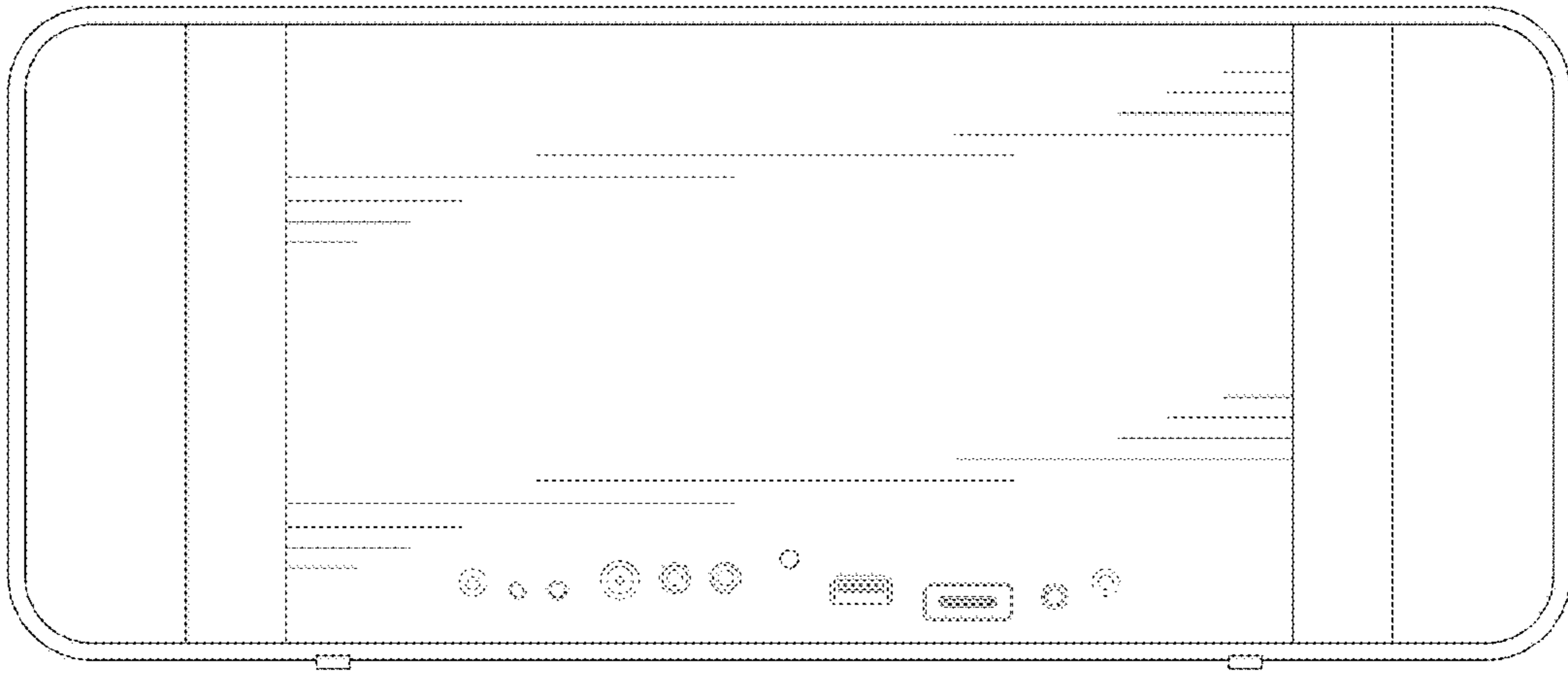


FIG. 1

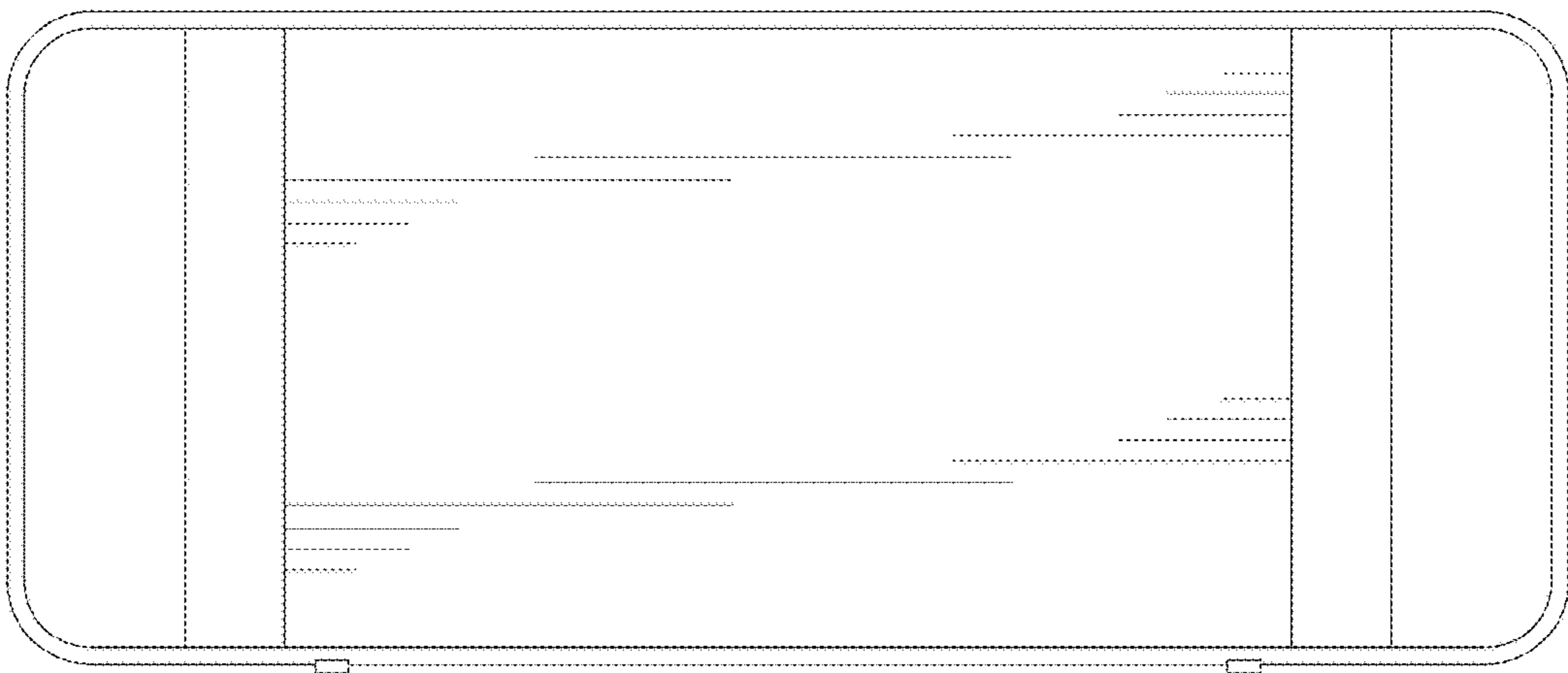


FIG. 2

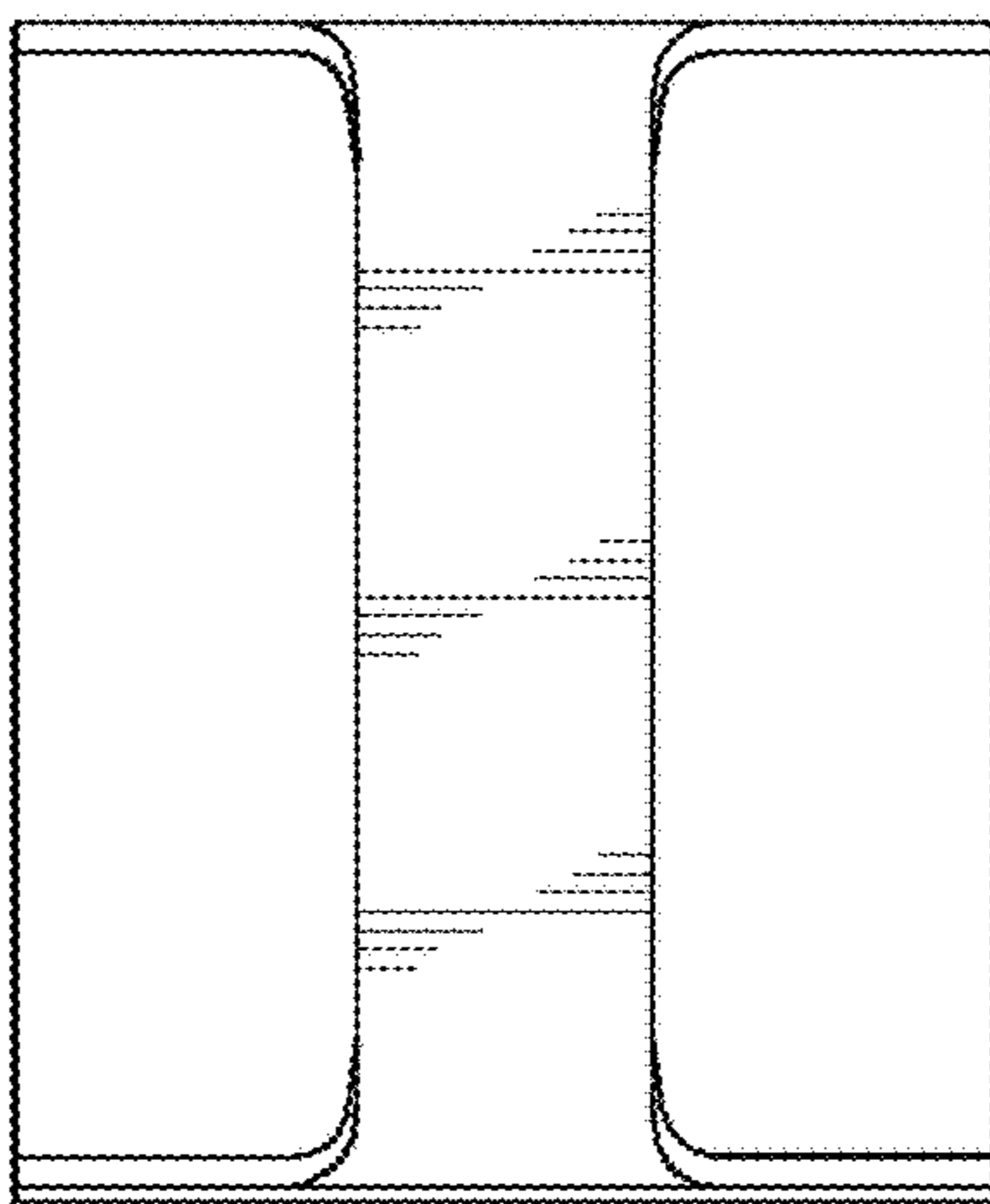


FIG. 3

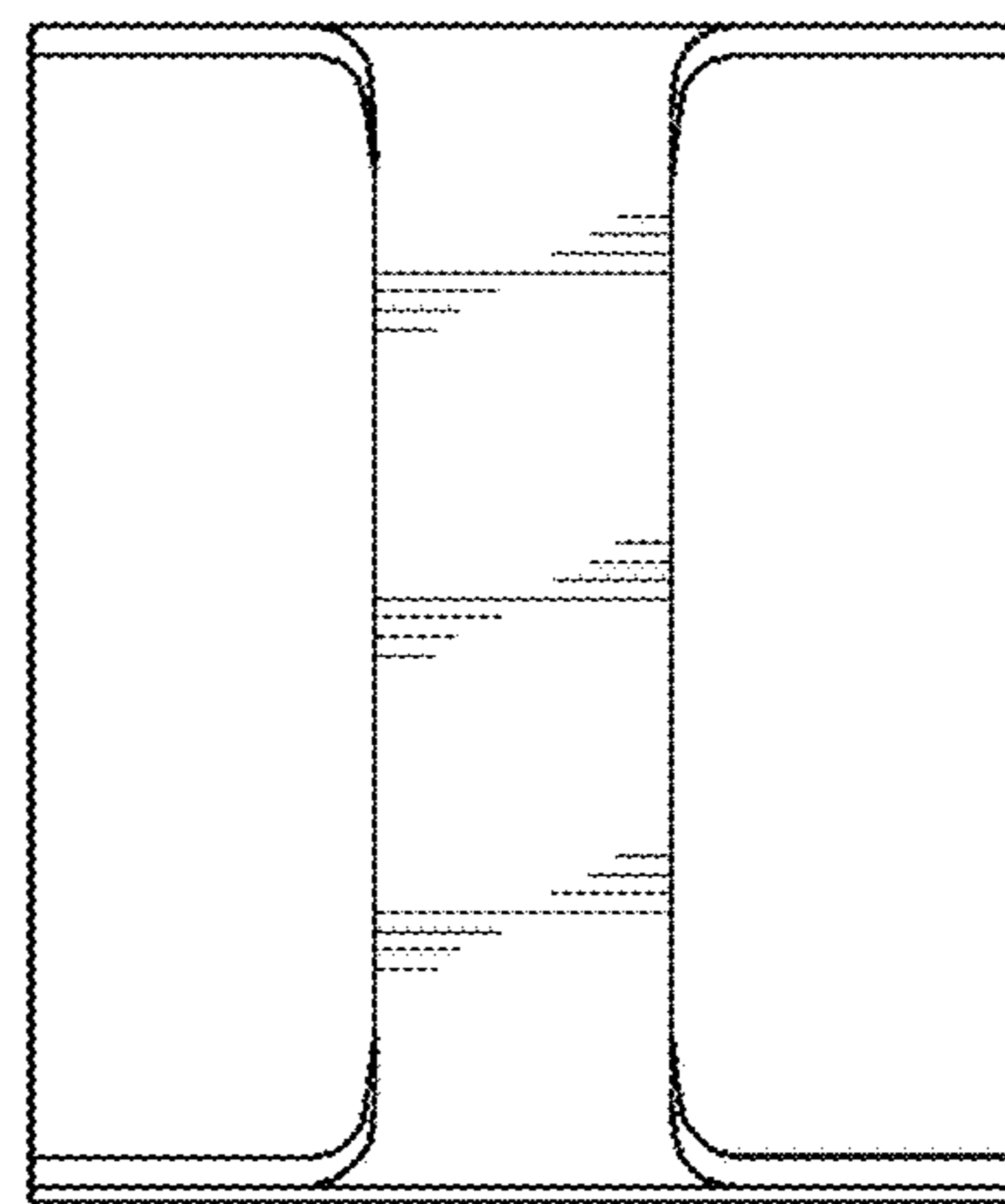


FIG. 4



FIG. 5

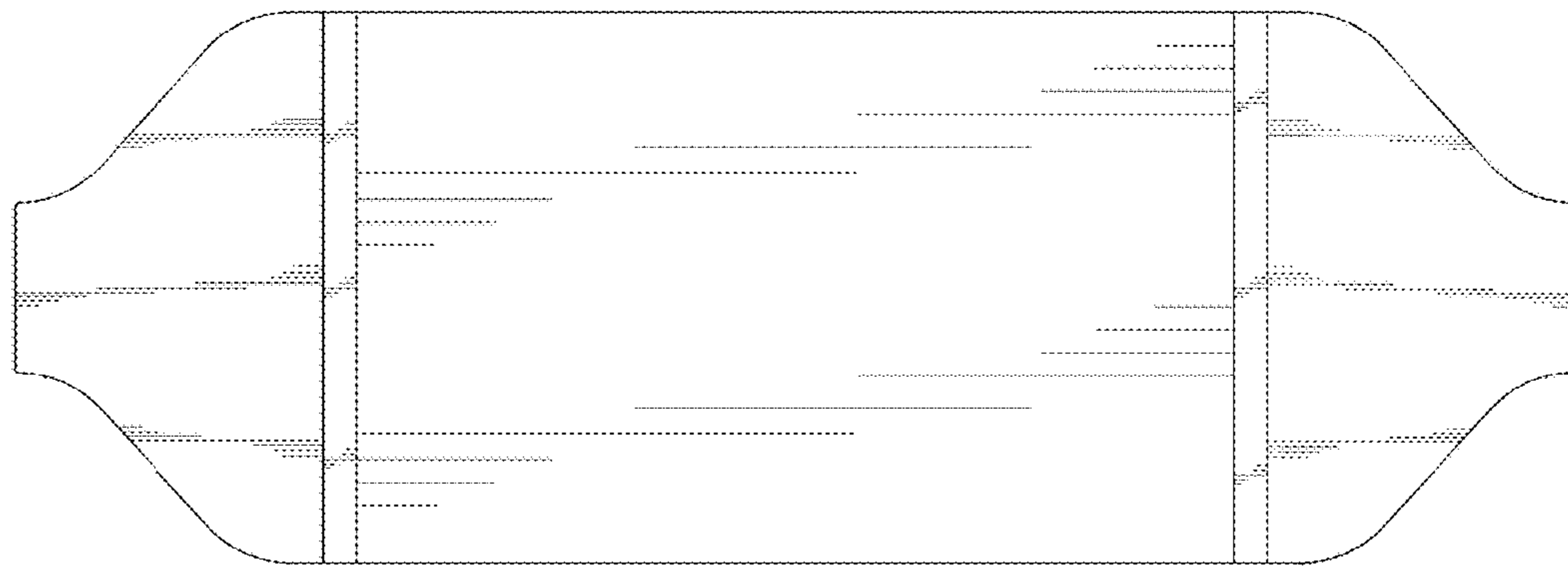


FIG. 6

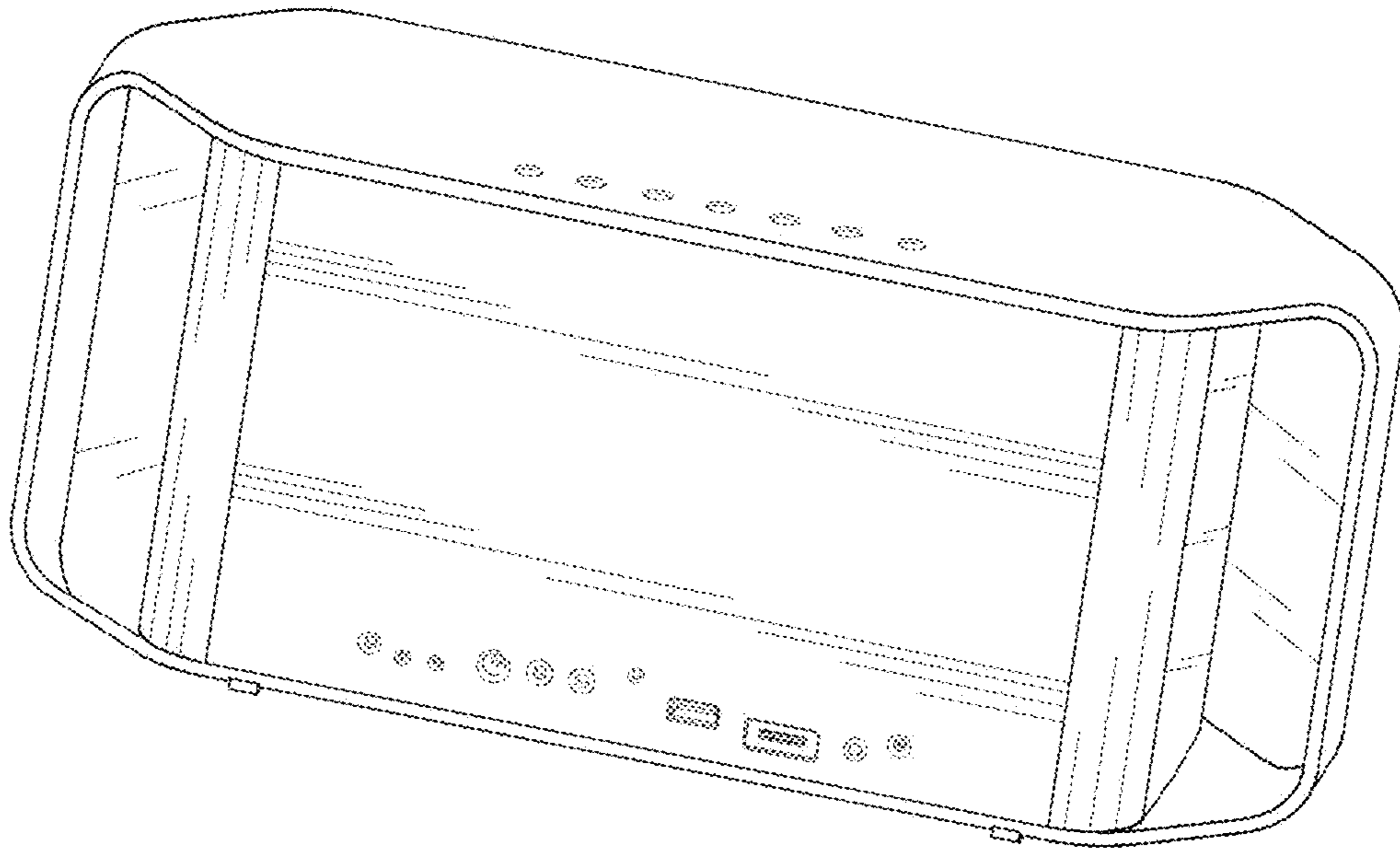


FIG. 7

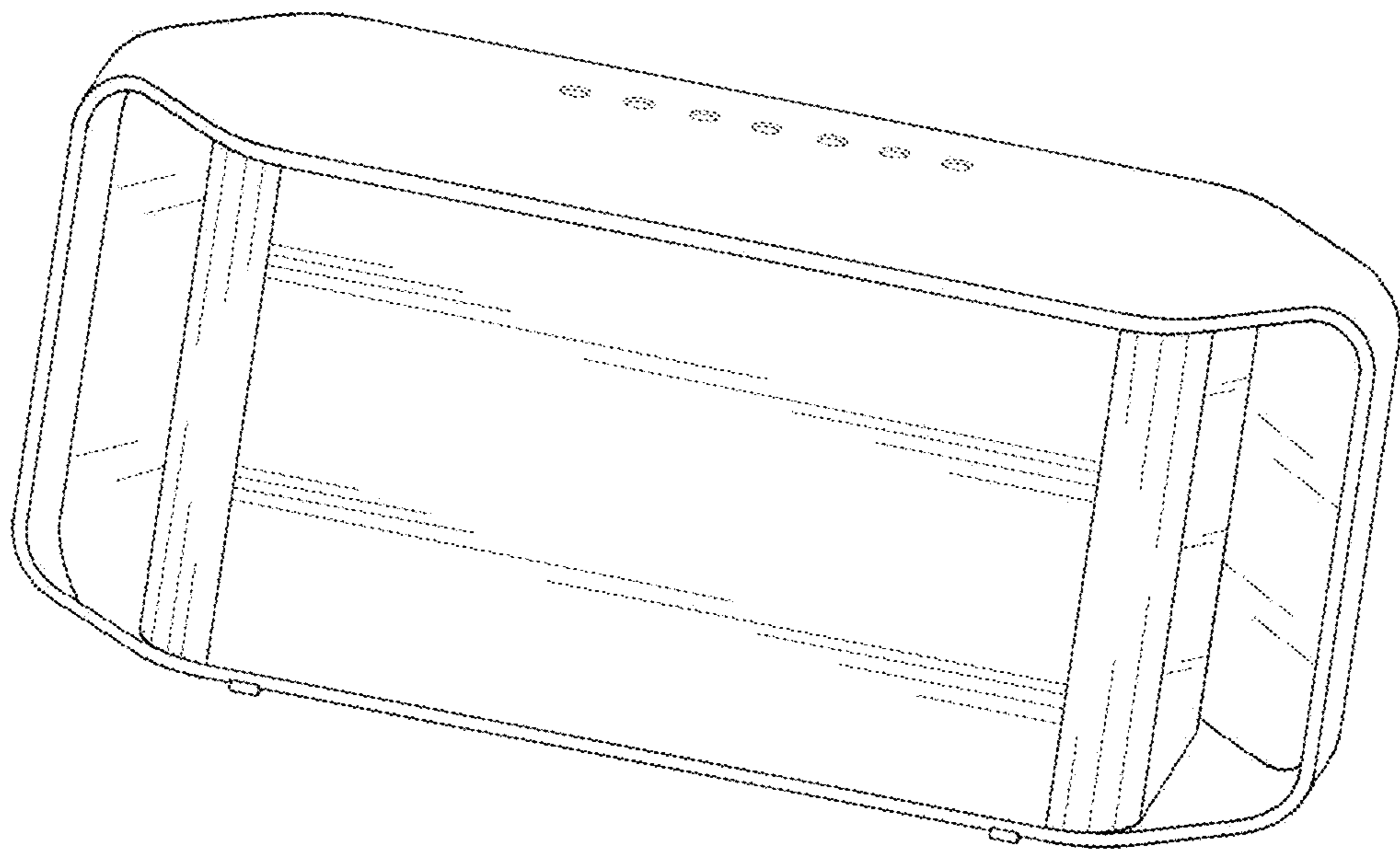


FIG. 8