



US00D793990S

(12) **United States Design Patent** (10) **Patent No.:** **US D793,990 S**
Liang et al. (45) **Date of Patent:** **** Aug. 8, 2017**

(54) **SOUND BOX**

(71) Applicant: **TGI Technology Pte. Ltd.**, Singapore (SG)

(72) Inventors: **Yanjie Liang**, Singapore (SG);
Shihuang Li, Singapore (SG)

(73) Assignee: **TGI TECHNOLOGY PTE. LTD.**, Singapore (SG)

(**) Term: **14 Years**

(21) Appl. No.: **29/516,973**

(22) Filed: **Feb. 9, 2015**

(30) **Foreign Application Priority Data**

Jan. 7, 2015 (CN) 2015 3 0004292

(51) **LOC (10) Cl.** **14-01**

(52) **U.S. Cl.**
USPC **D14/204**

(58) **Field of Classification Search**
USPC D14/167, 168, 170–172, 188, 204, 209.1,
D14/210–216, 219, 221, 222, 224;
(Continued)

(56) **References Cited**

U.S. PATENT DOCUMENTS

D233,365 S * 10/1974 Tomioka D14/199
D303,970 S * 10/1989 Collins D14/204
(Continued)

Primary Examiner — Ian Simmons
Assistant Examiner — Janice Lim

(74) *Attorney, Agent, or Firm* — Rabin & Berdo, P.C.

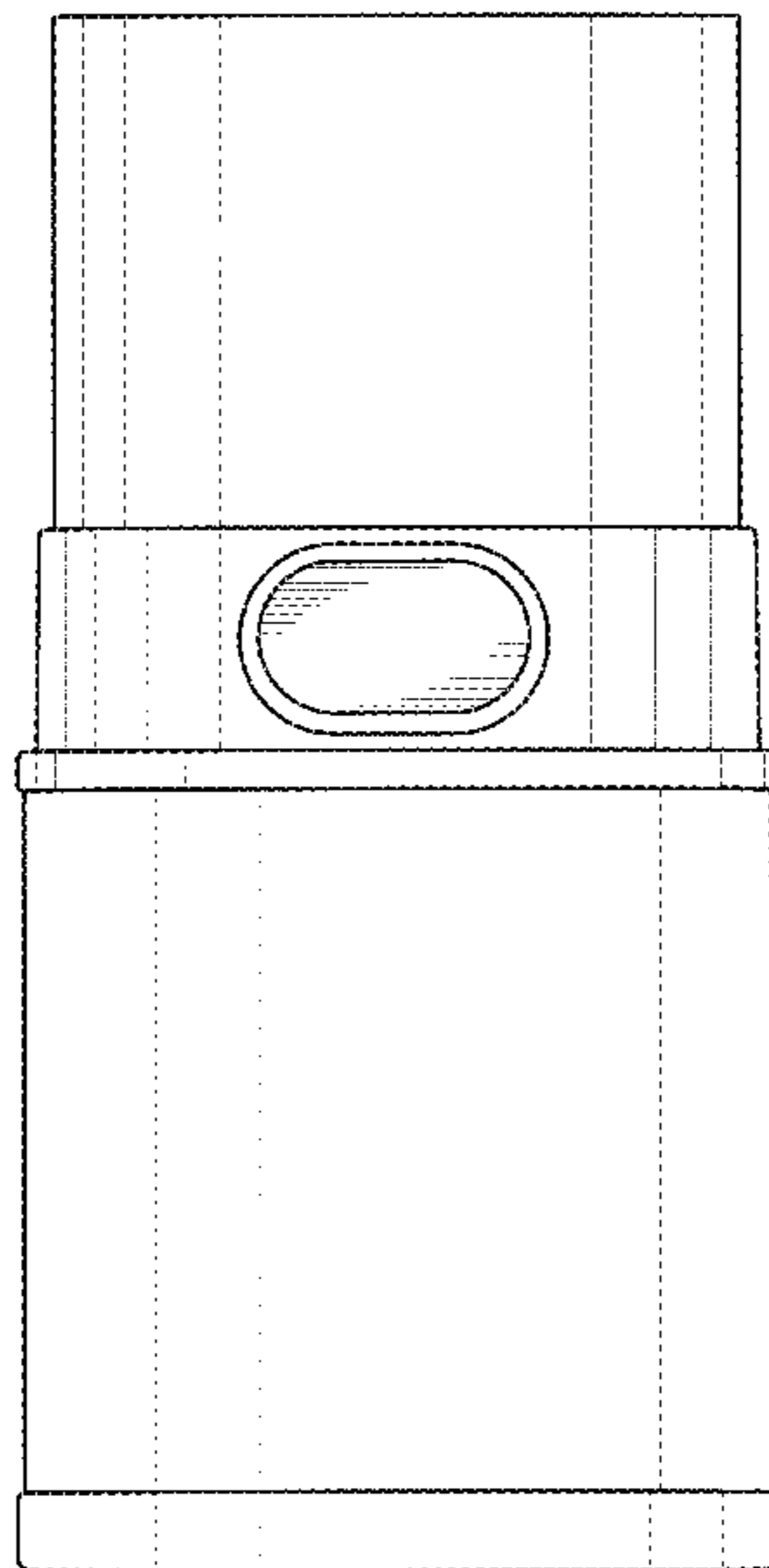
(57) **CLAIM**

The ornamental design for a sound box, as shown and described.

DESCRIPTION

FIG. 1 is a front view of a sound box, showing our new design;
 FIG. 2 is a rear view thereof;
 FIG. 3 is a left side view thereof;
 FIG. 4 is a right side view thereof;
 FIG. 5 is a top plan view thereof;
 FIG. 6 is a bottom plan view thereof;
 FIG. 7 is a perspective view thereof;
 FIG. 8 is a front view of the top part thereof, shown without the rest of sound box, for ease of illustration;
 FIG. 9 is a rear view thereof;
 FIG. 10 is a left side view thereof;
 FIG. 11 is a right side view thereof;
 FIG. 12 is a top plan view thereof;
 FIG. 13 is a bottom plan view thereof;
 FIG. 14 is a perspective view thereof;
 FIG. 15 is a front view of the middle part thereof, the rear, left side, and right side views being mirror images, shown without the rest of sound box, for ease of illustration;
 FIG. 16 is a rear view thereof;
 FIG. 17 is a left side view thereof;
 FIG. 18 is a right side view thereof;
 FIG. 19 is a top plan view thereof;
 FIG. 20 is a bottom plan view thereof;
 FIG. 21 is a perspective view thereof;
 FIG. 22 is a front view of the bottom part thereof, the rear, left side, and right side views being mirror images, shown without the rest of sound box, for ease of illustration;
 FIG. 23 is a top plan view thereof;
 FIG. 24 is a bottom plan view thereof; and,
 FIG. 25 is a perspective view thereof.
 The broken line portions show unclaimed subject matter only and form no part of the claimed design.

1 Claim, 25 Drawing Sheets



(58) **Field of Classification Search**

USPC 181/144, 148, 153, 157, 198, 199;
369/6-12; 381/301-303, 306, 332, 334,
381/336, 345, 361-363, 386-388
CPC G06F 1/1688; H04R 1/02; H04R 1/025;
H04R 1/026; H04R 1/323; H04R 1/403;
H04R 1/2803; H04R 1/2834; H04R 5/02;
H04R 9/06; H04R 2201/021; H04R
2400/00; H04R 2400/07; H04R 2499/11

See application file for complete search history.

(56) **References Cited**

U.S. PATENT DOCUMENTS

D343,231 S *	1/1994	Lim	D14/210
D364,871 S *	12/1995	Esslinger	D14/211
D487,075 S *	2/2004	Dayan	D14/216
D563,391 S *	3/2008	Skurdal	D14/172
D687,017 S *	7/2013	Ashcraft	D14/216
D693,330 S *	11/2013	Lee	D14/215
2008/0226096 A1 *	9/2008	Waddell	H04R 1/02 381/87
2010/0002898 A1 *	1/2010	Murray	H04R 5/02 381/334

* cited by examiner

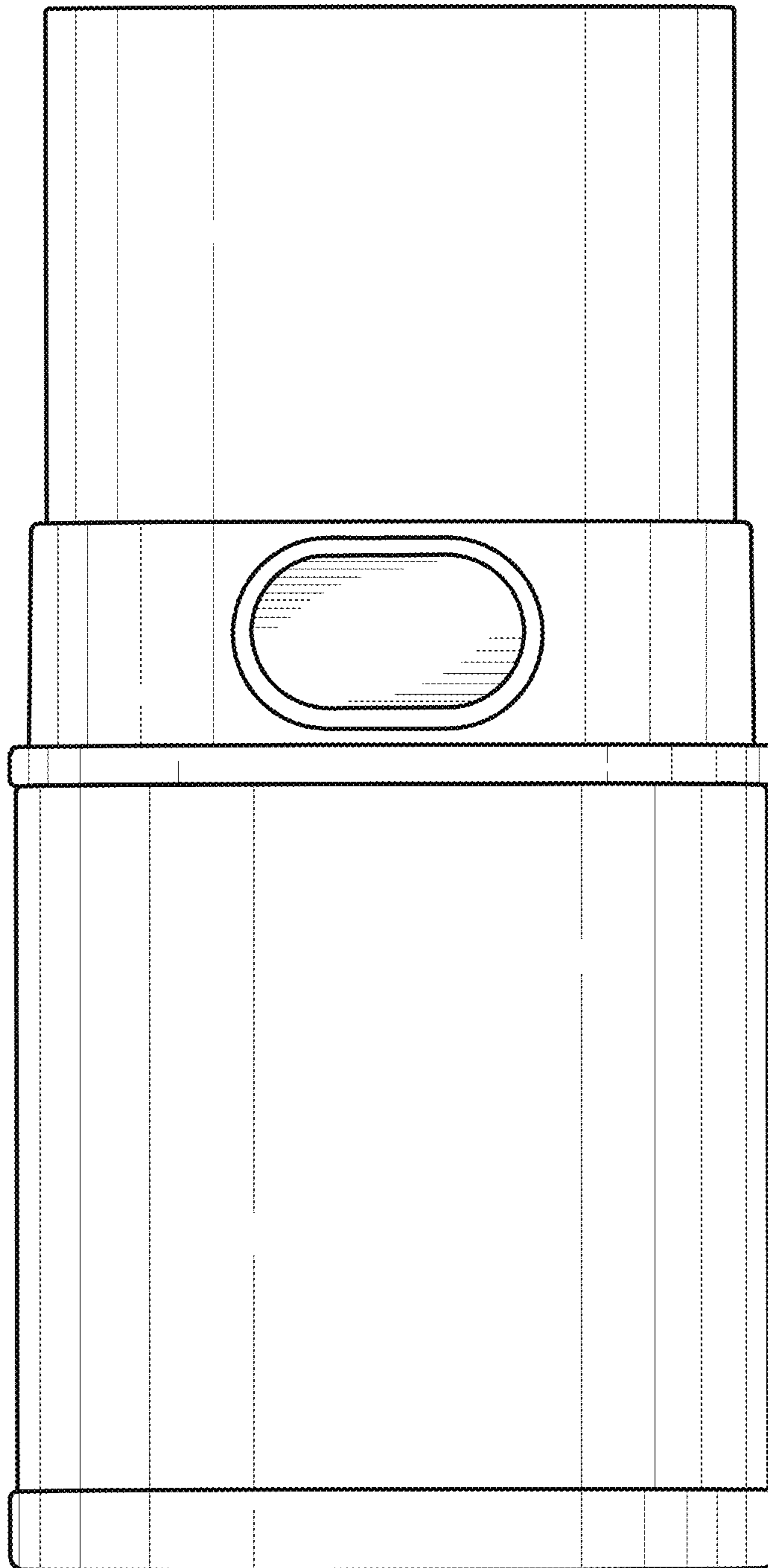


FIG. 1

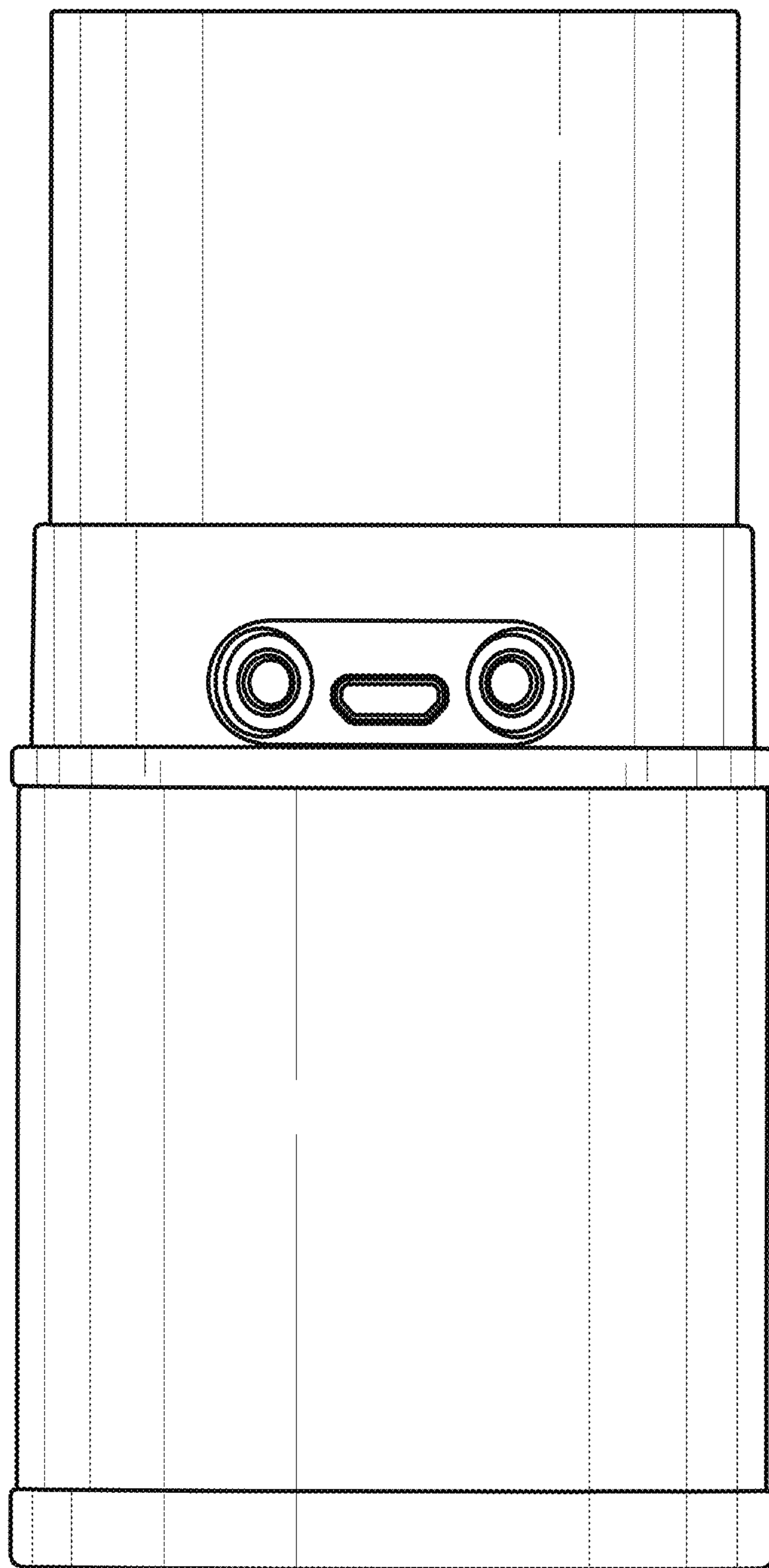


FIG. 2

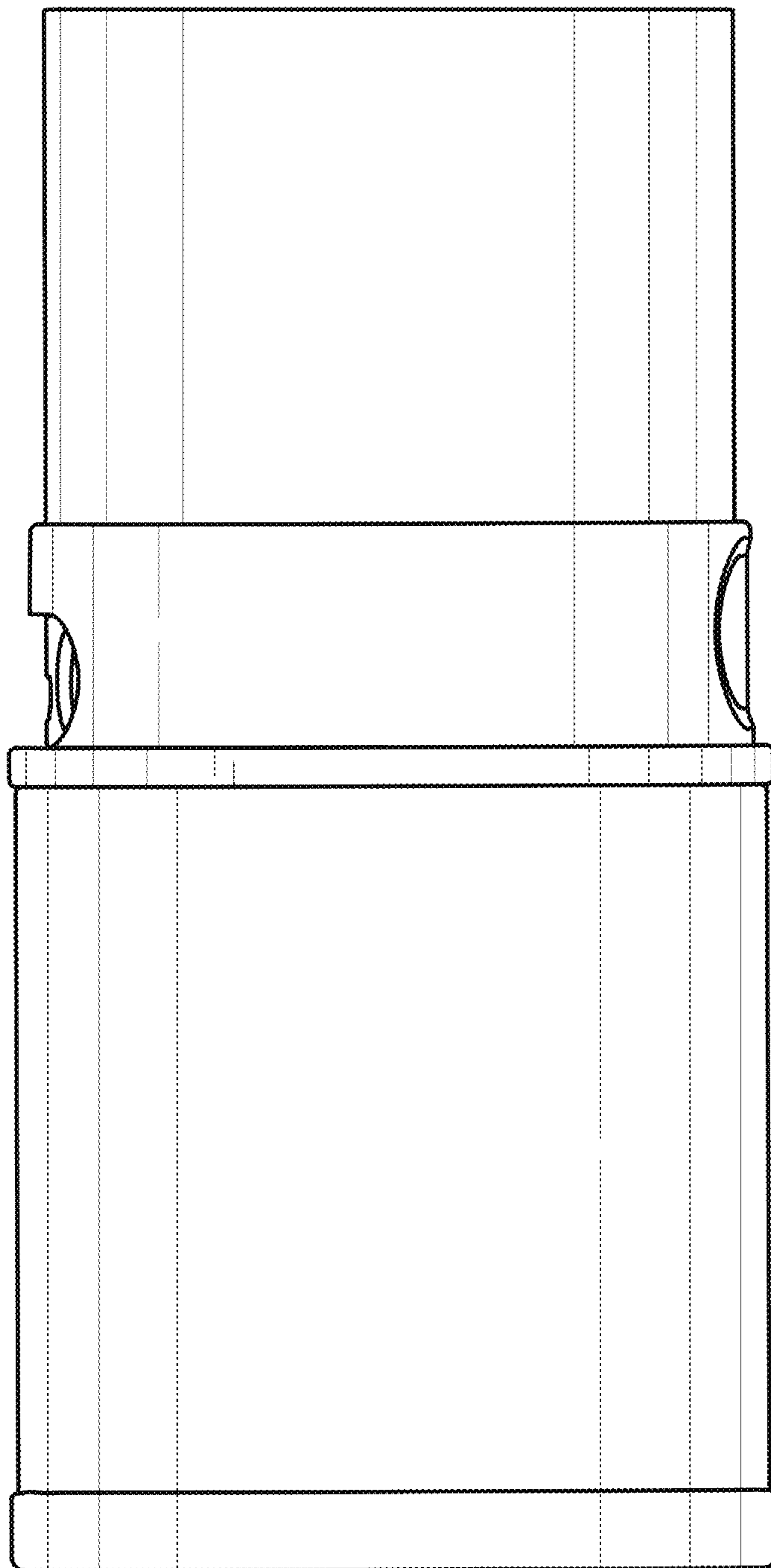


FIG. 3

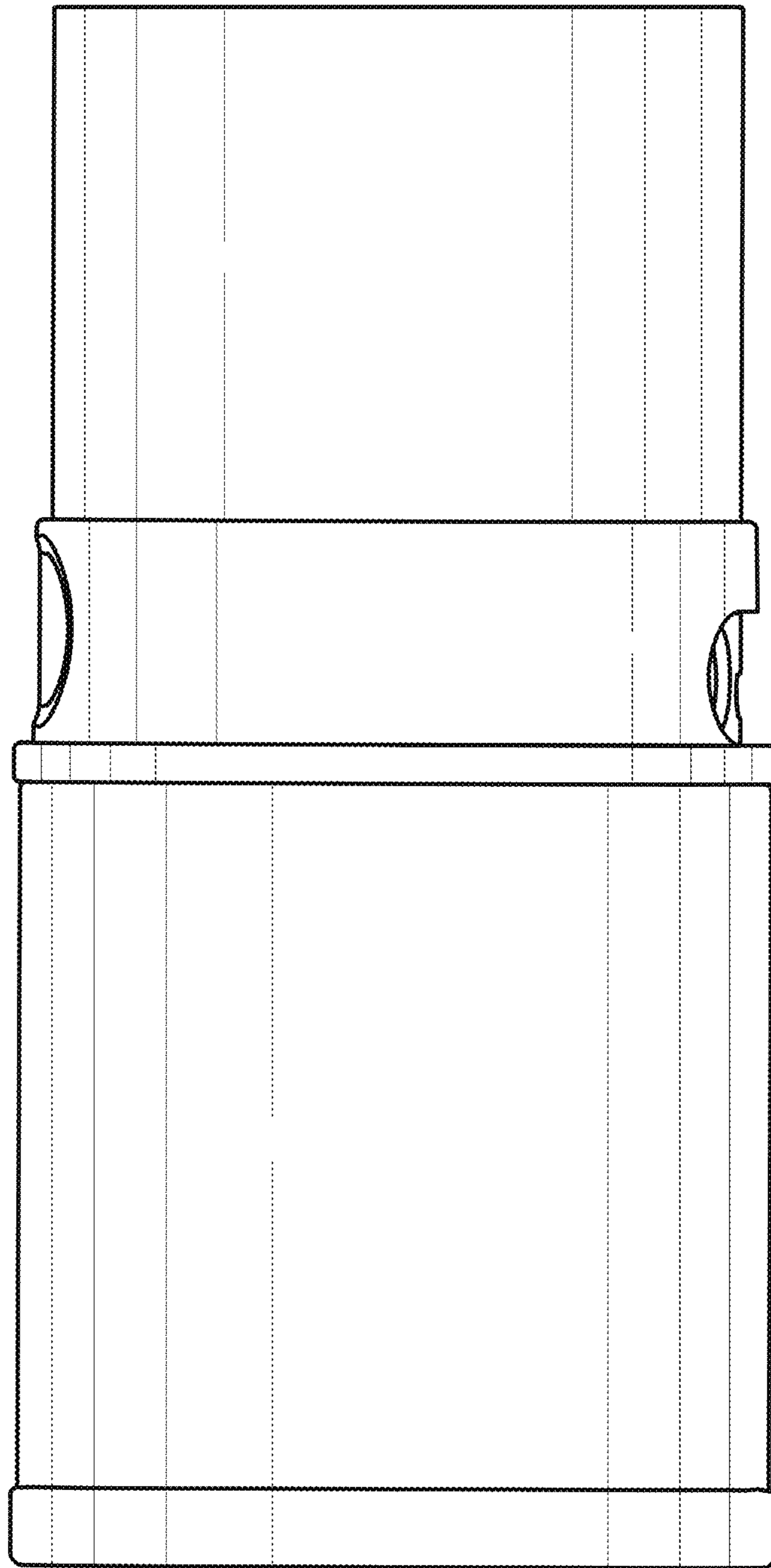


FIG. 4

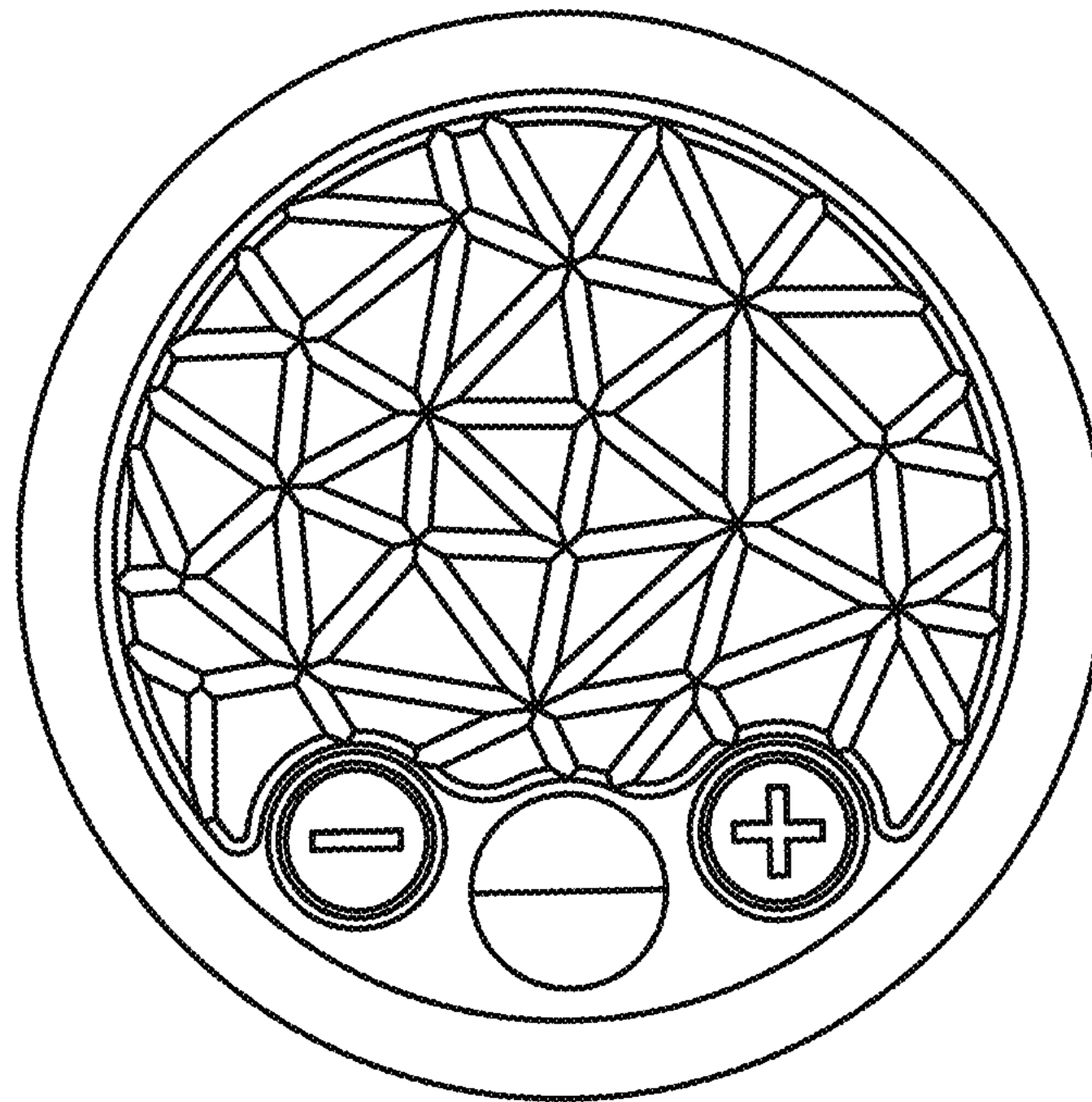


FIG. 5

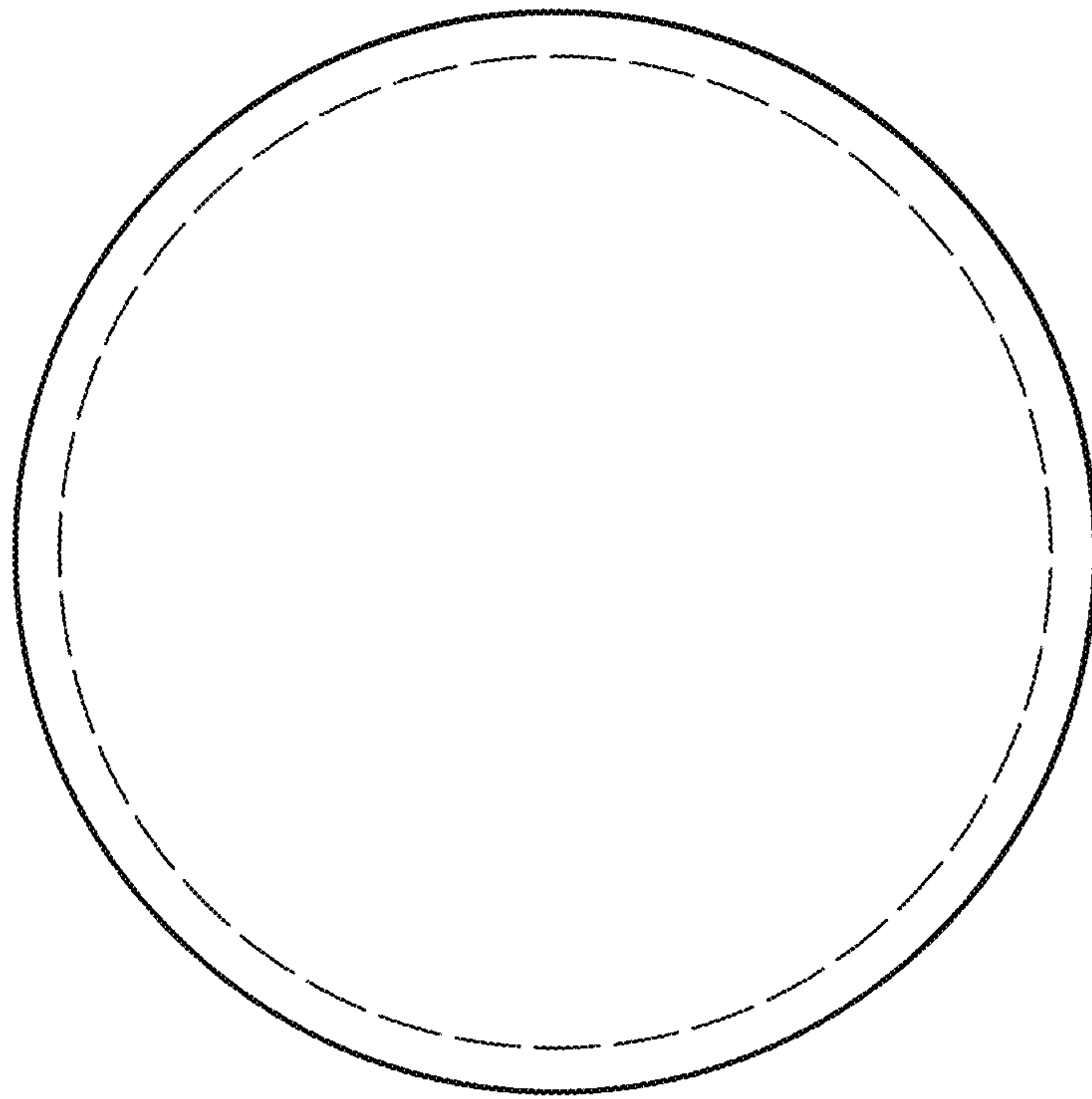


FIG. 6

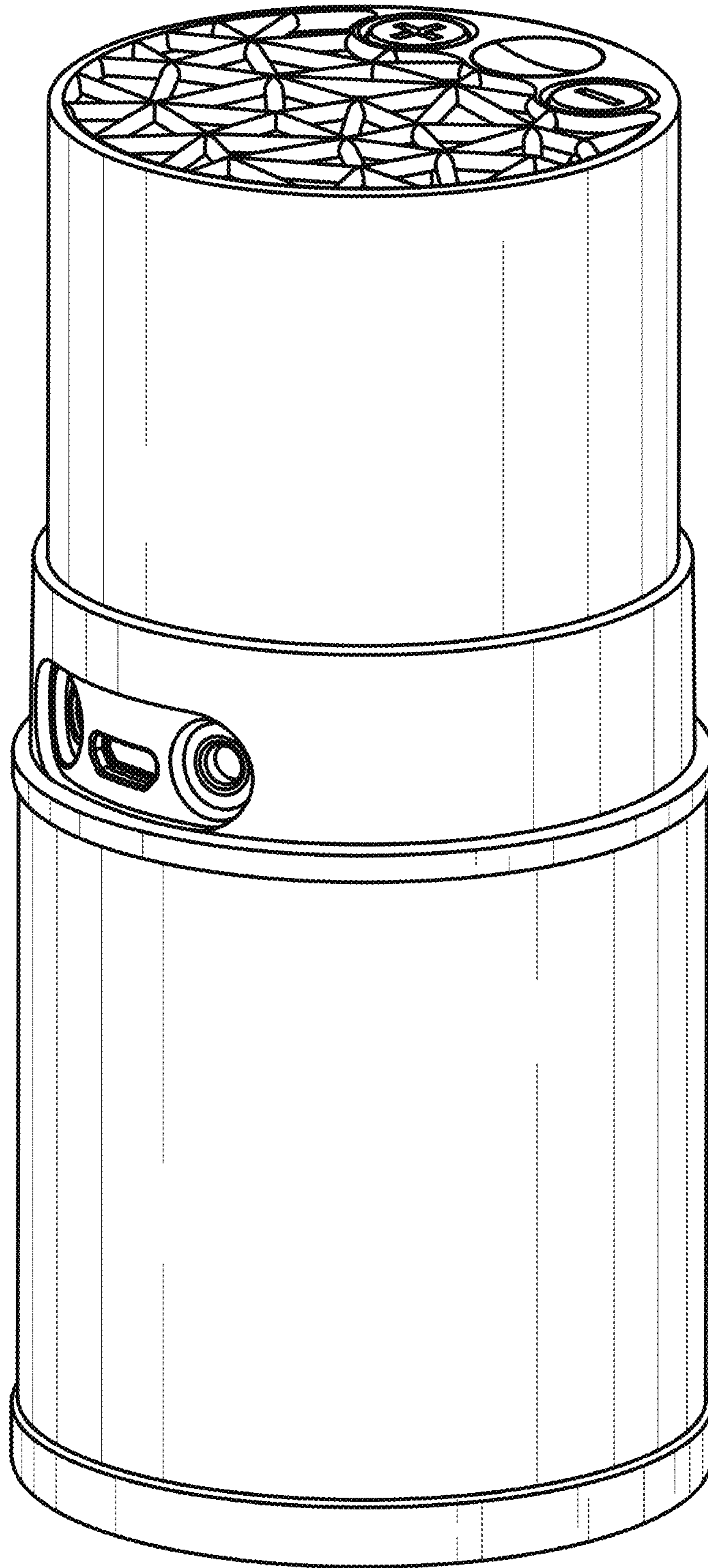


FIG. 7

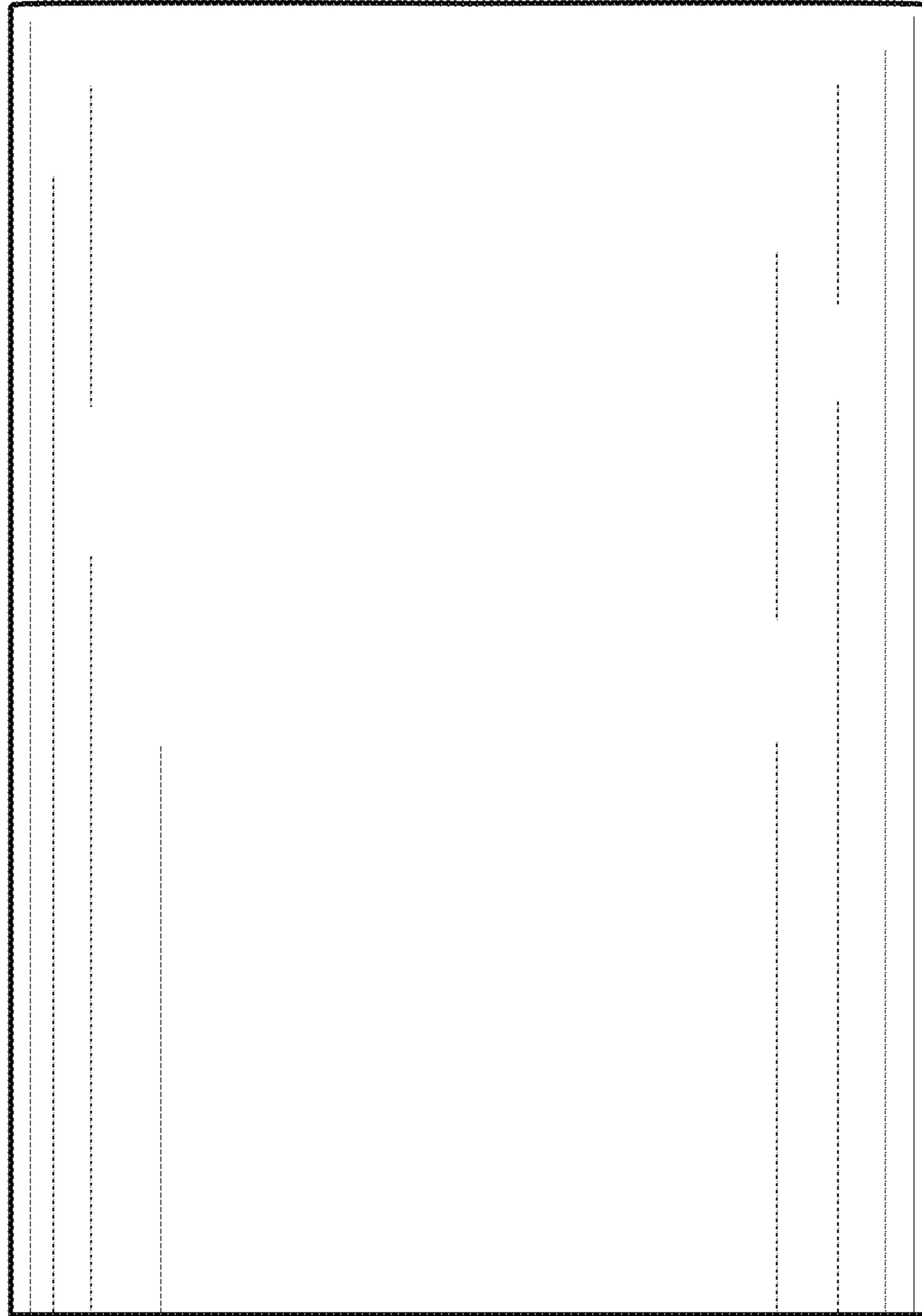


FIG. 8

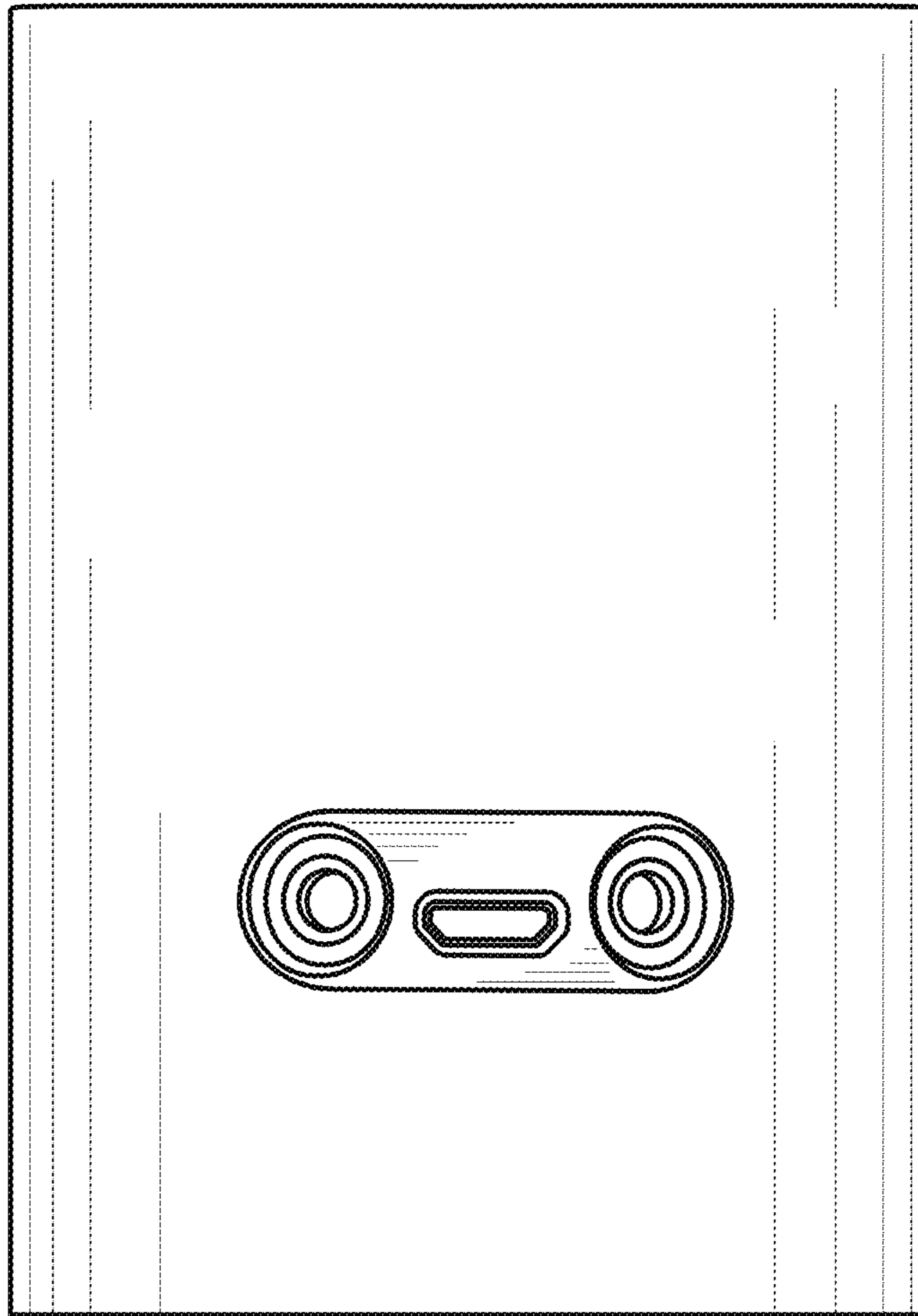


FIG. 9

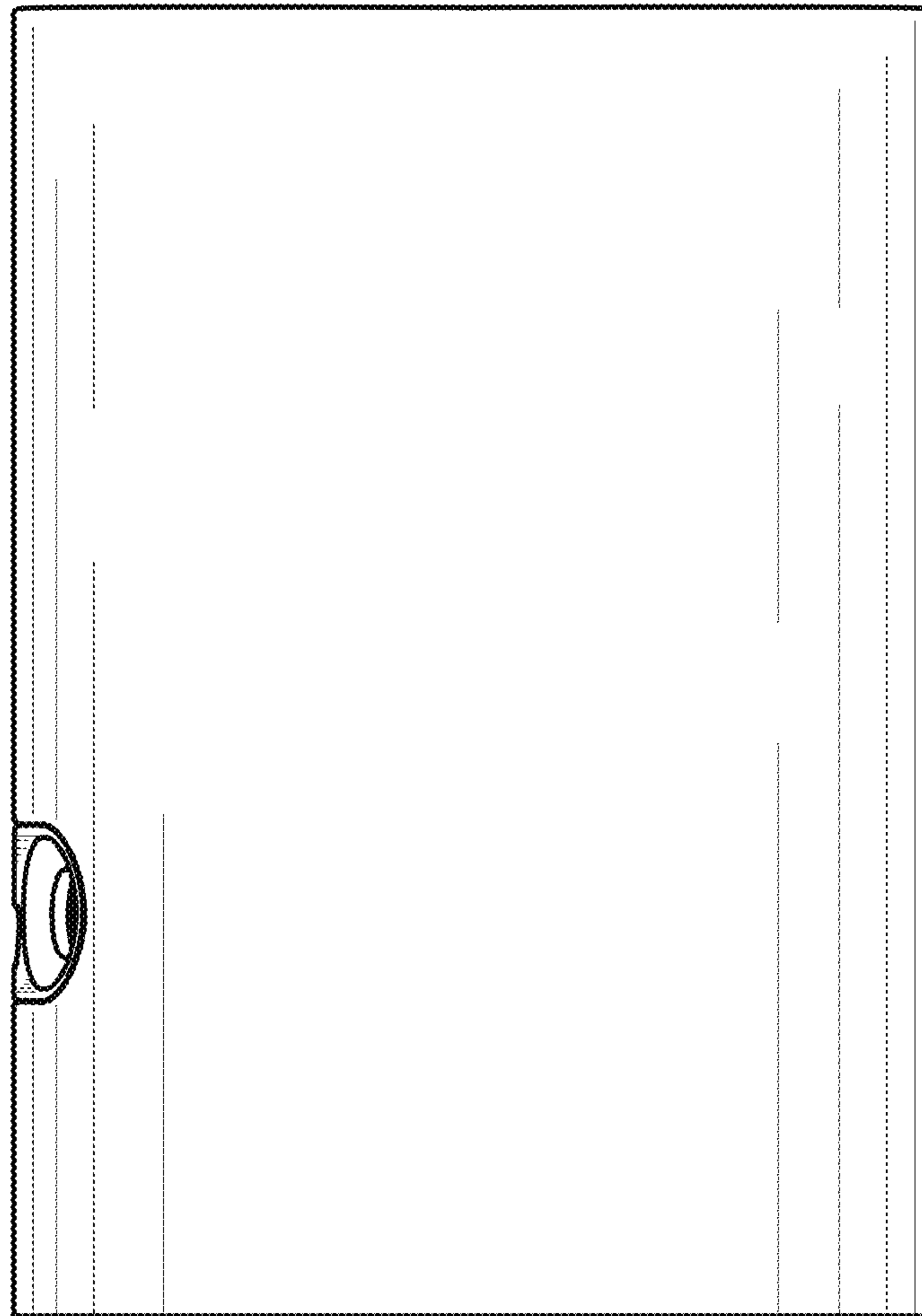


FIG. 10

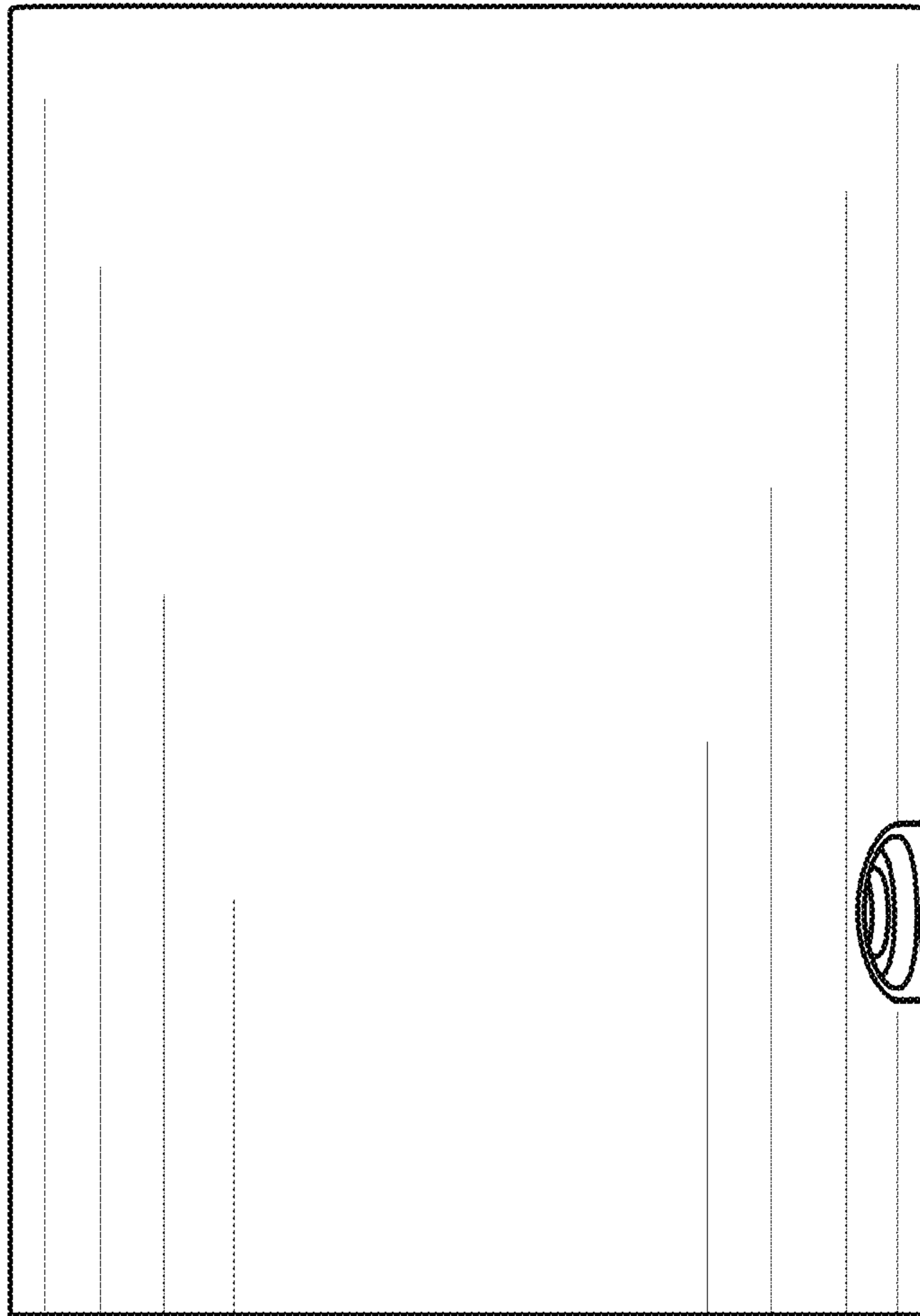


FIG. 11

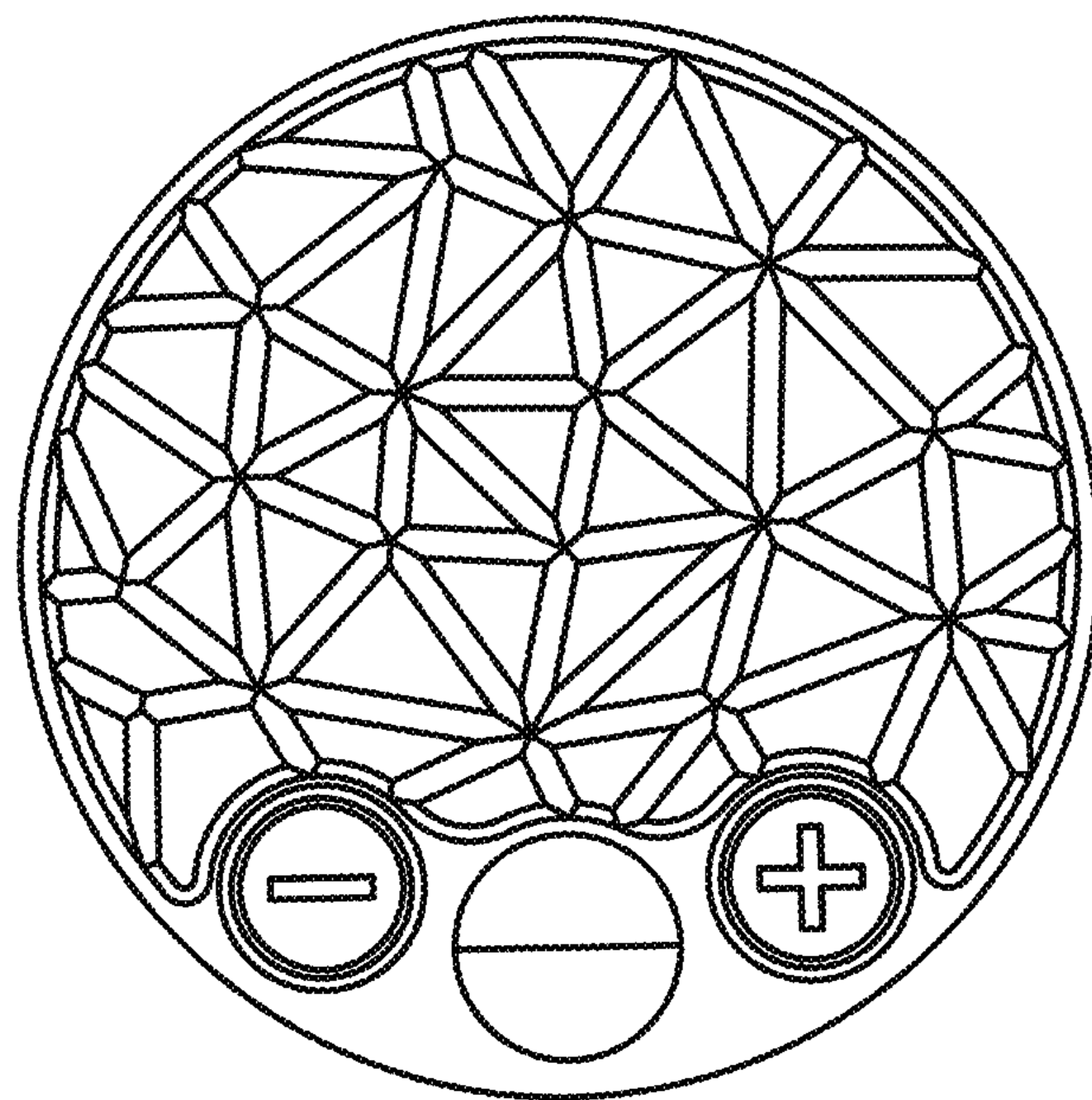


FIG. 12

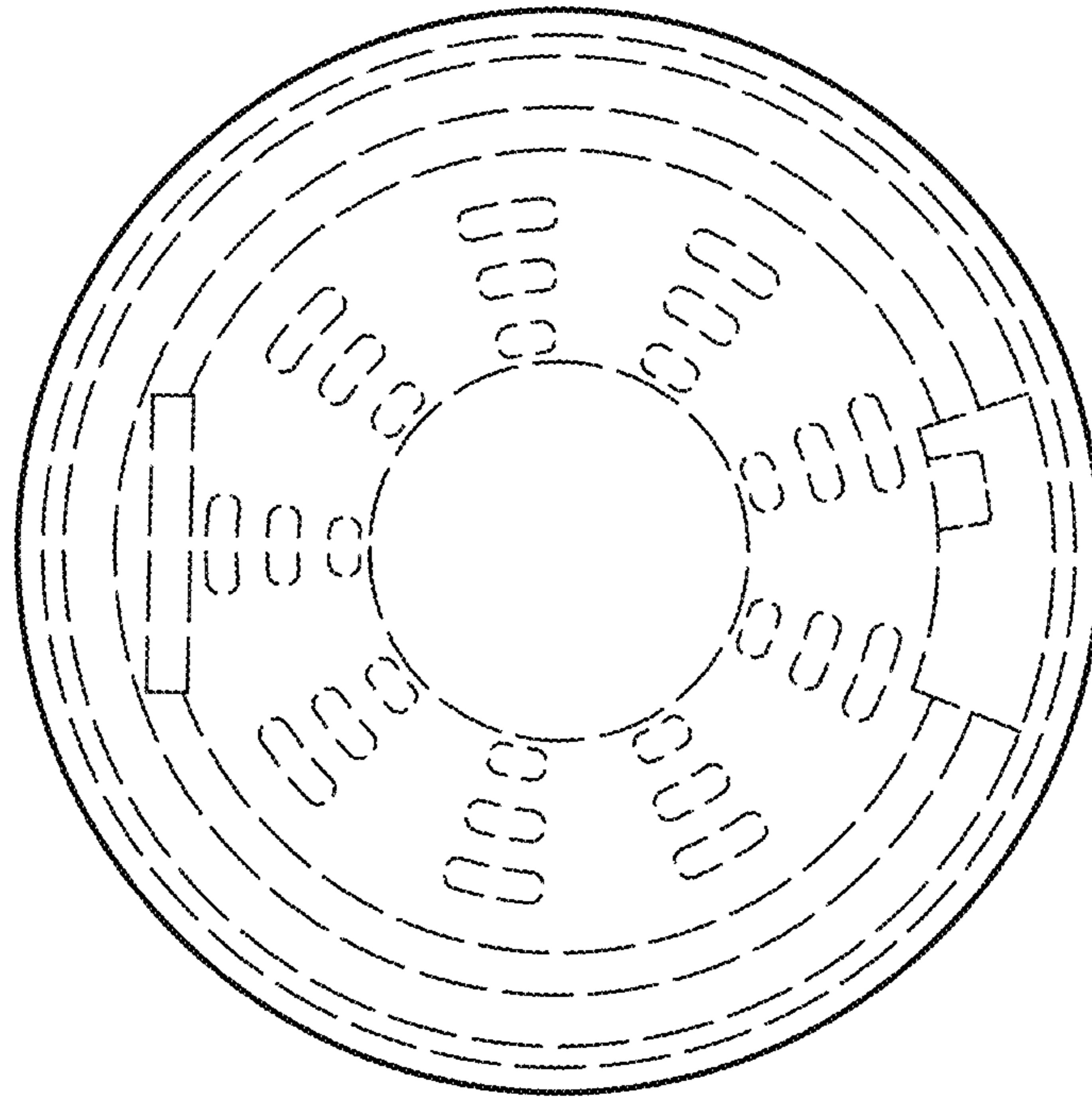


FIG. 13

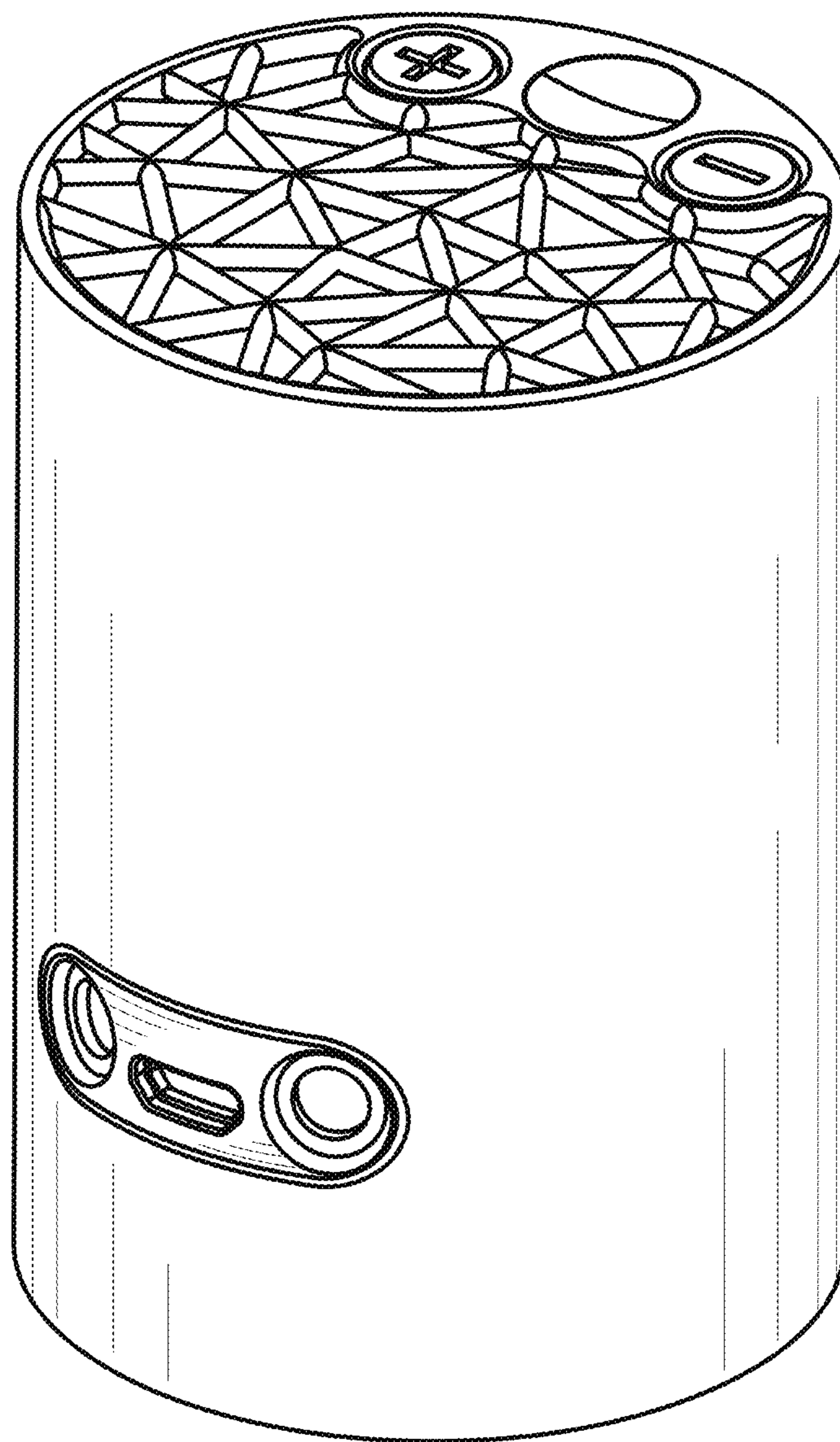


FIG. 14

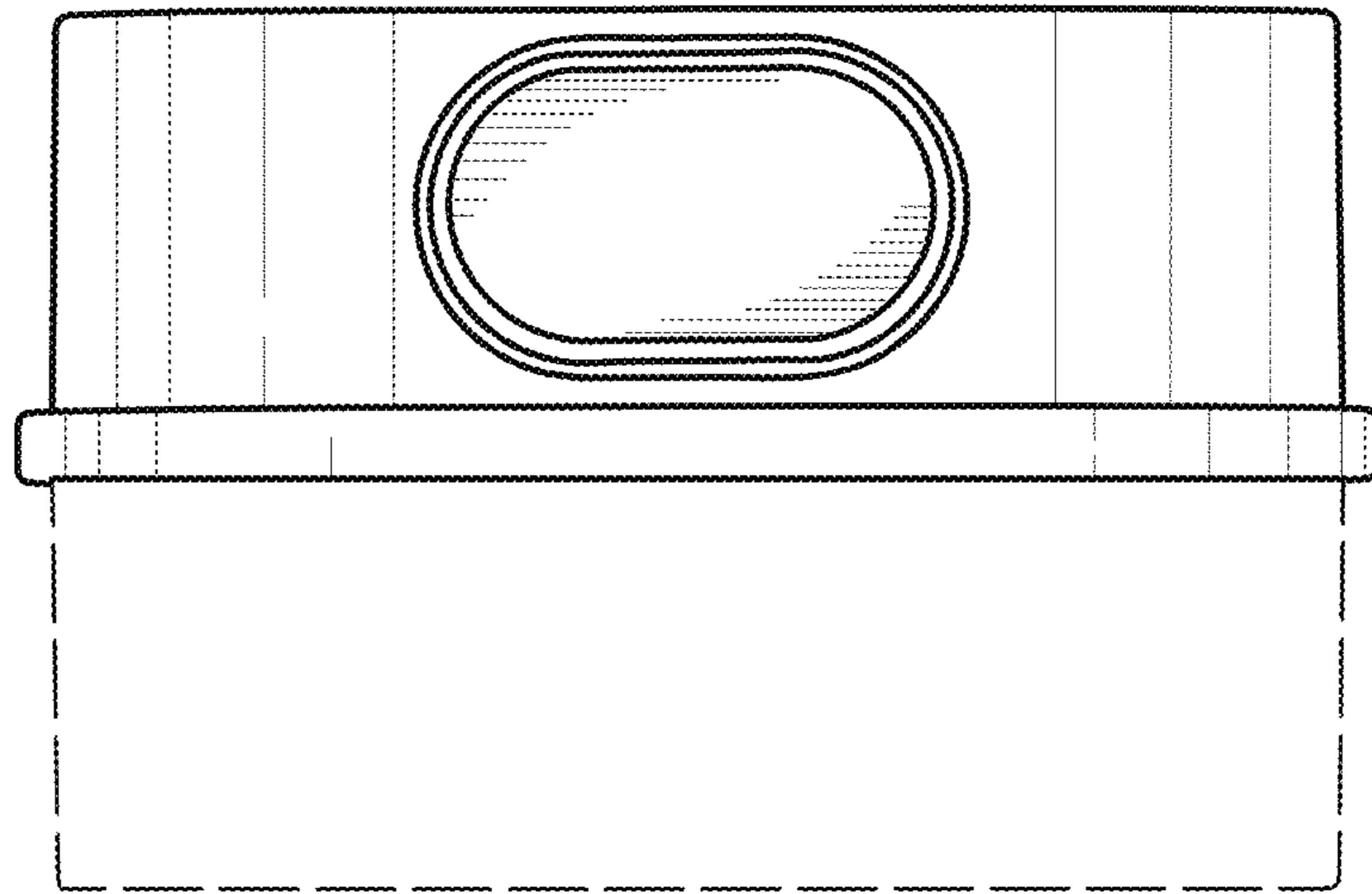


FIG. 15

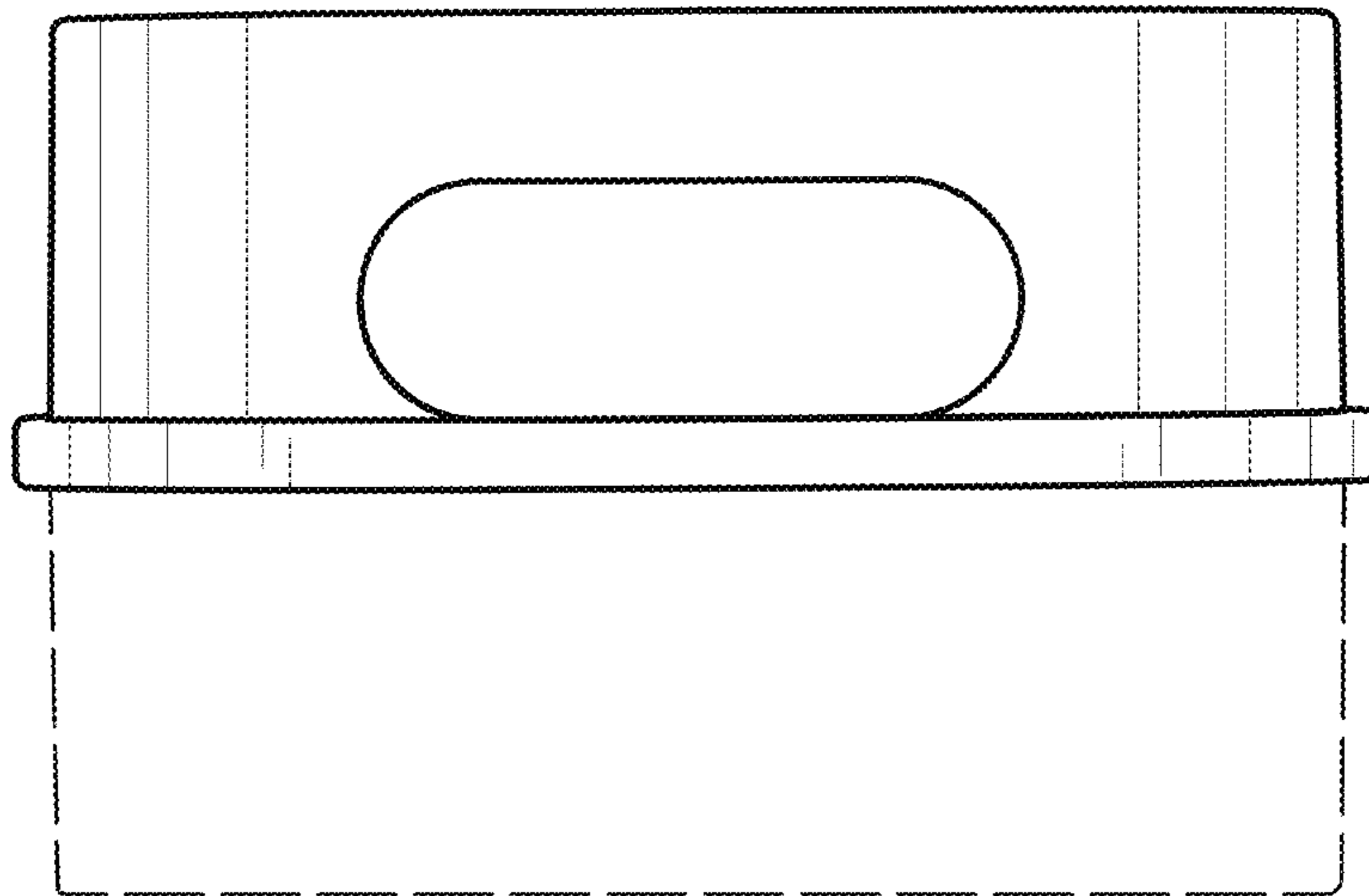


FIG. 16

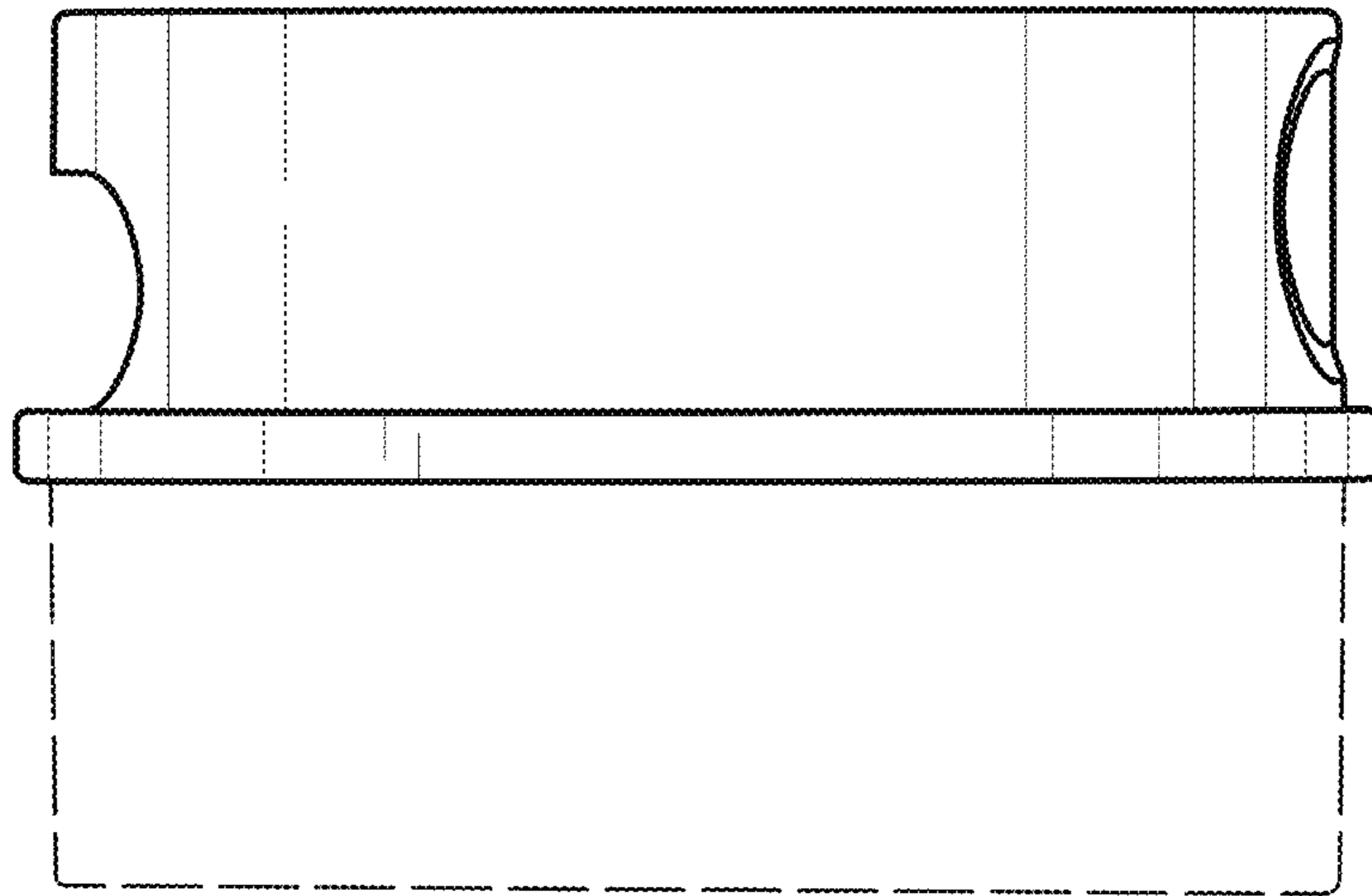


FIG. 17

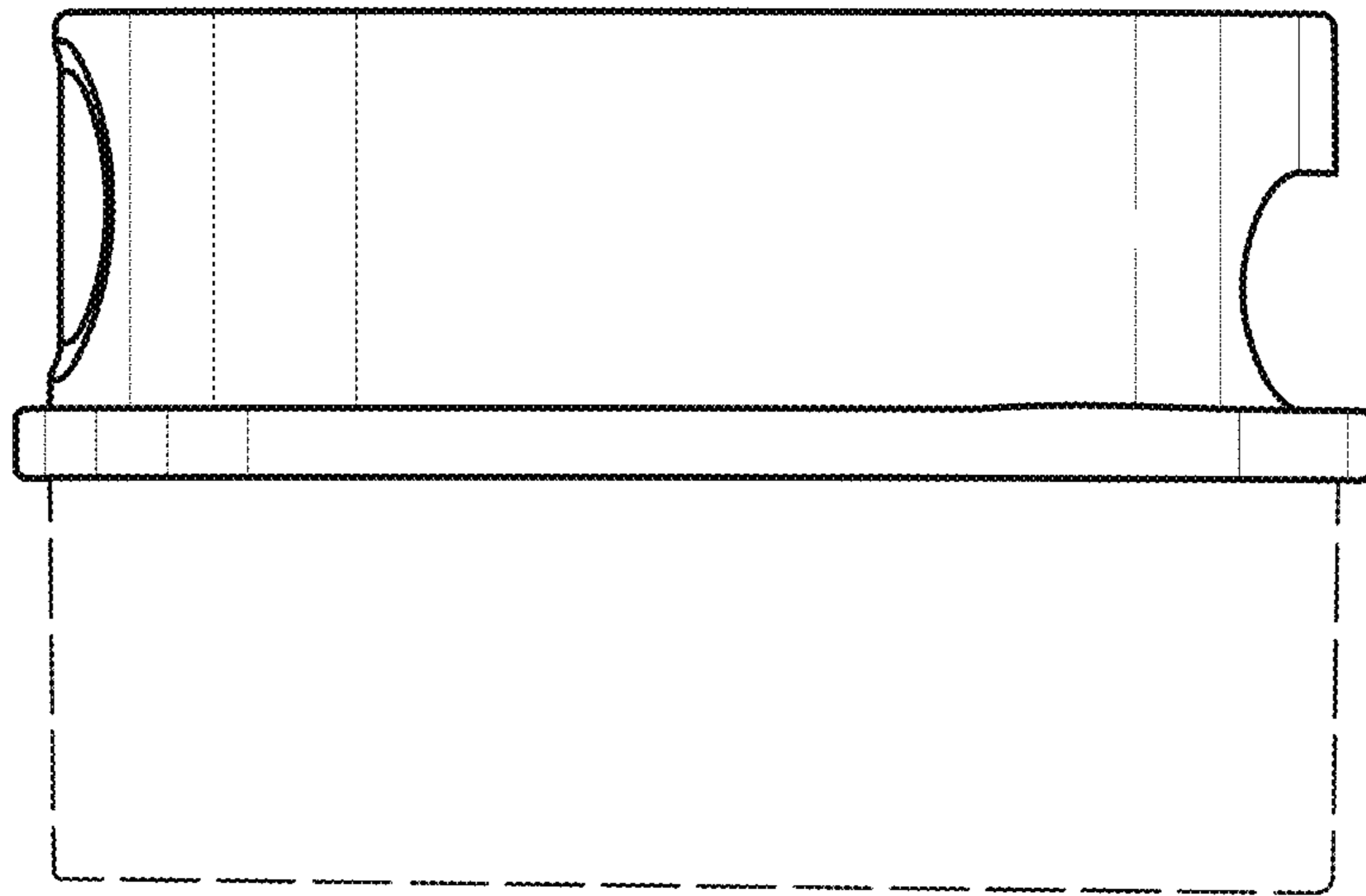


FIG. 18

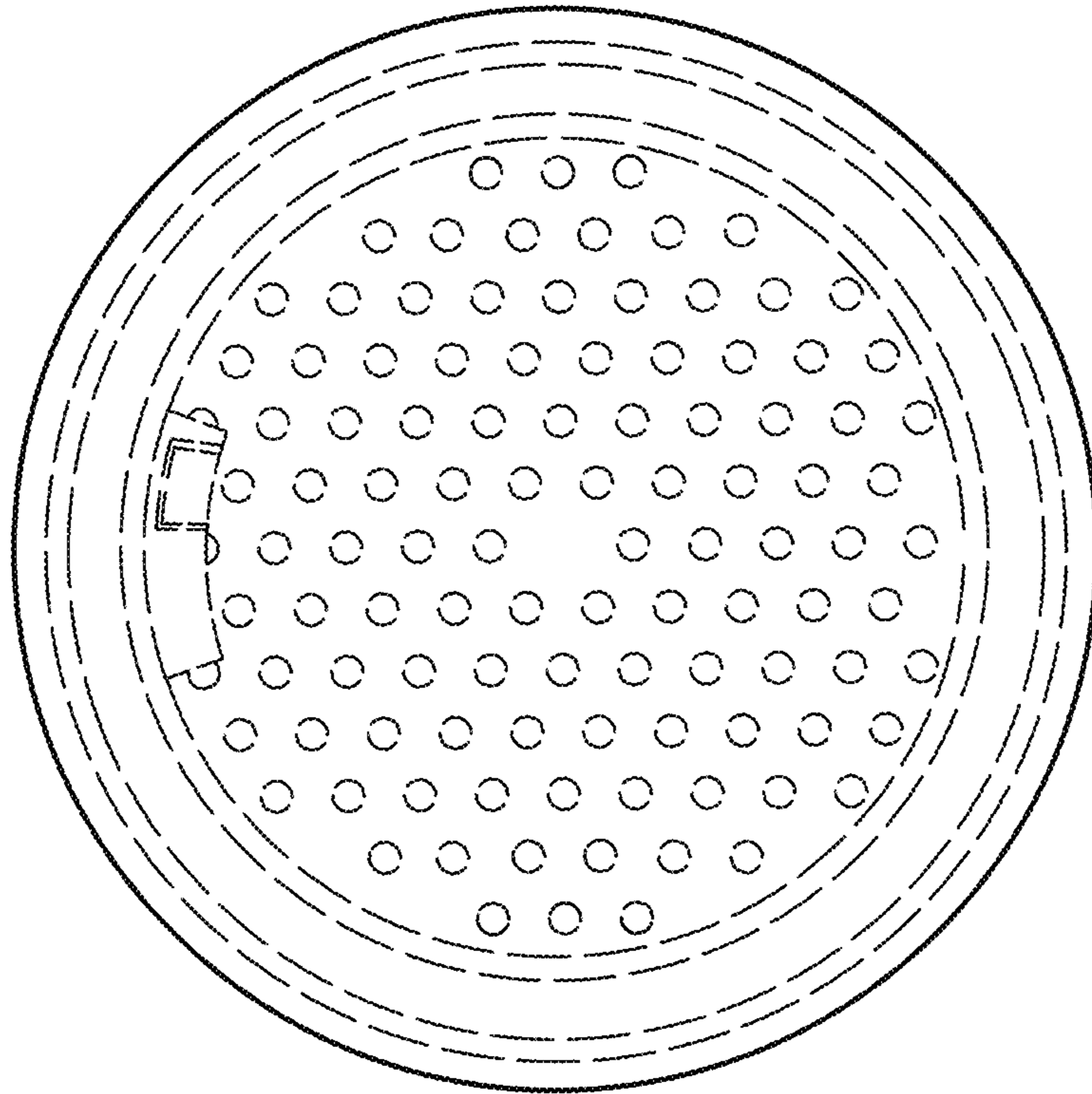


FIG. 19

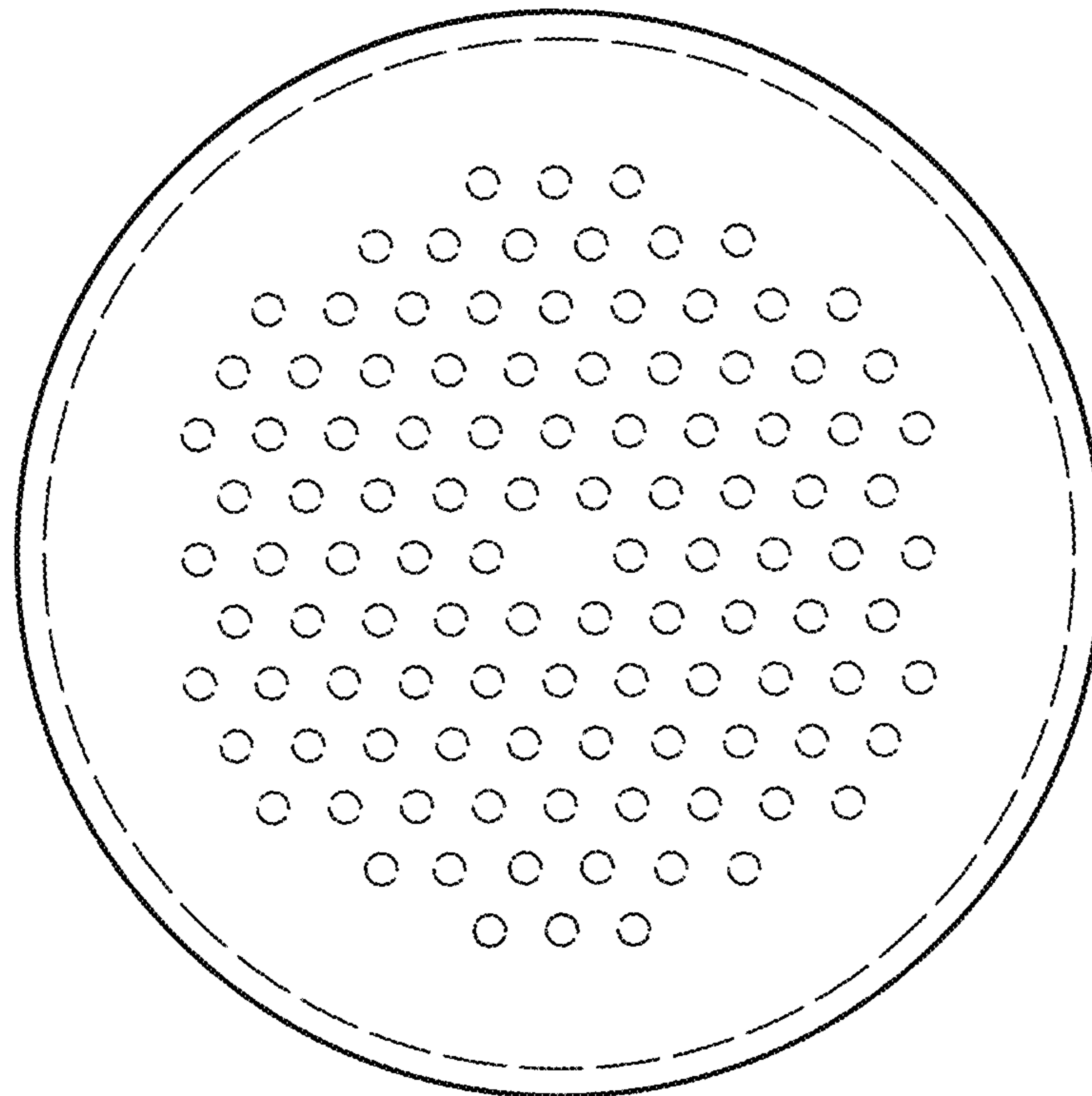


FIG. 20

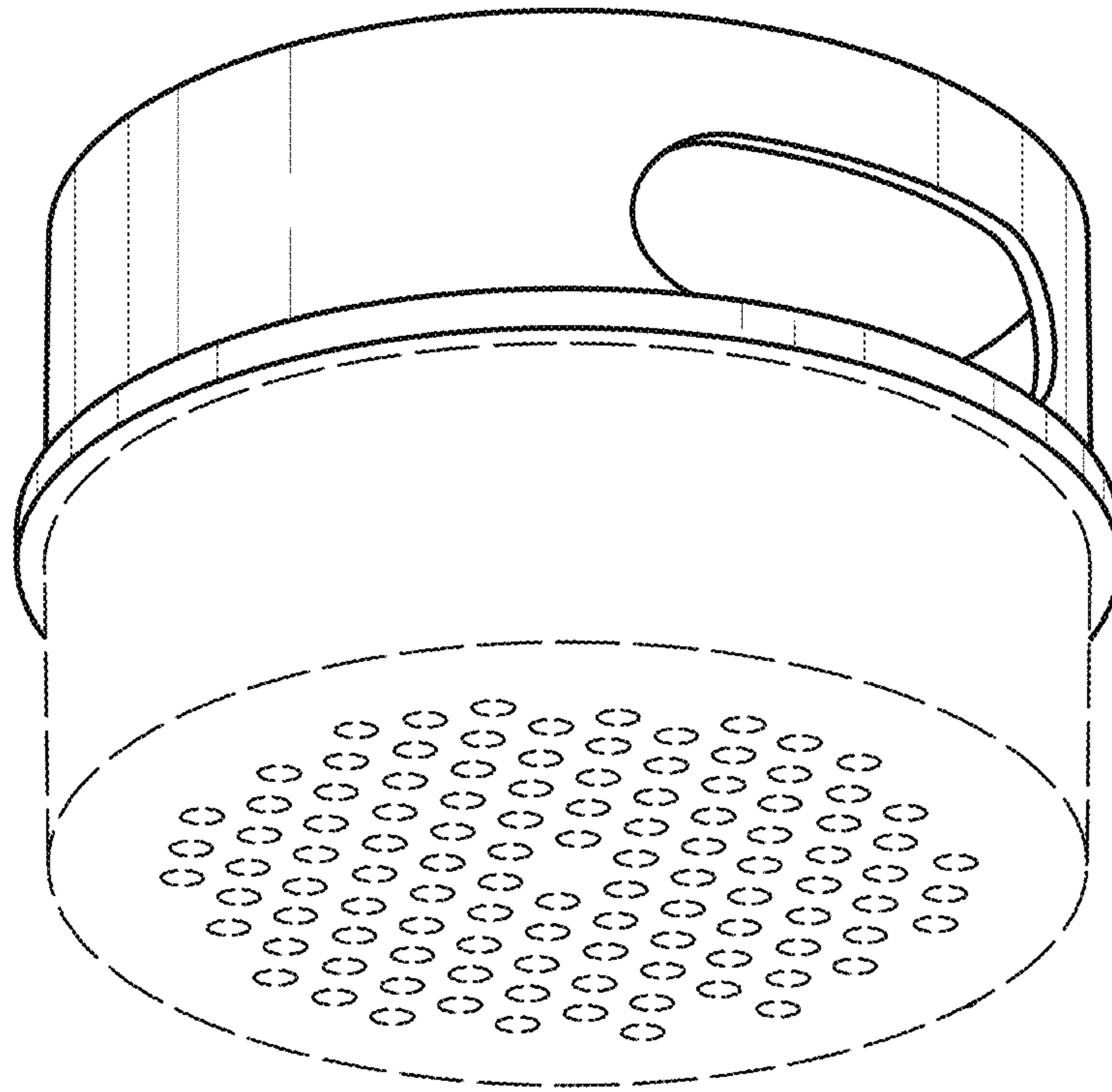


FIG. 21

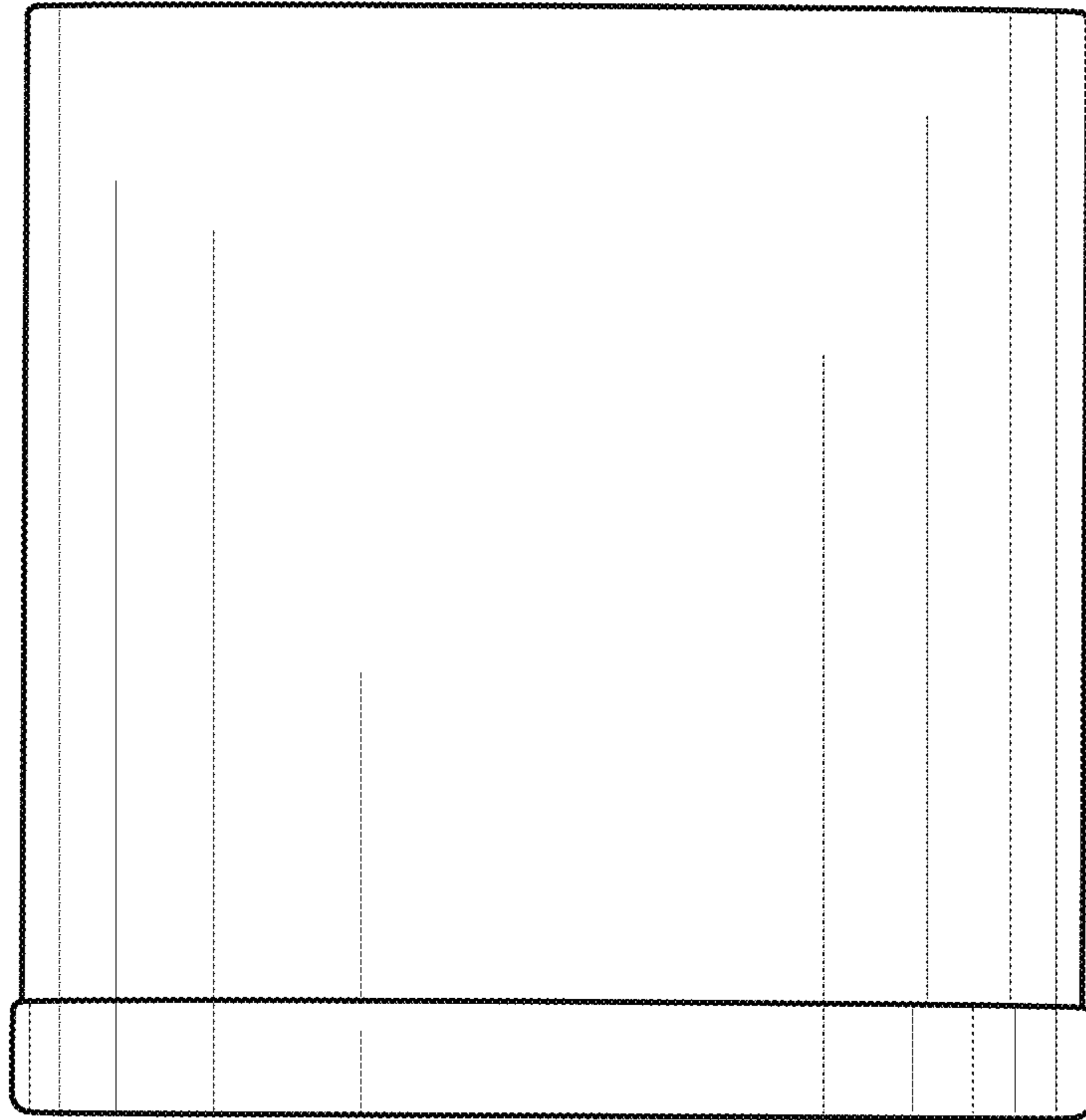


FIG. 22

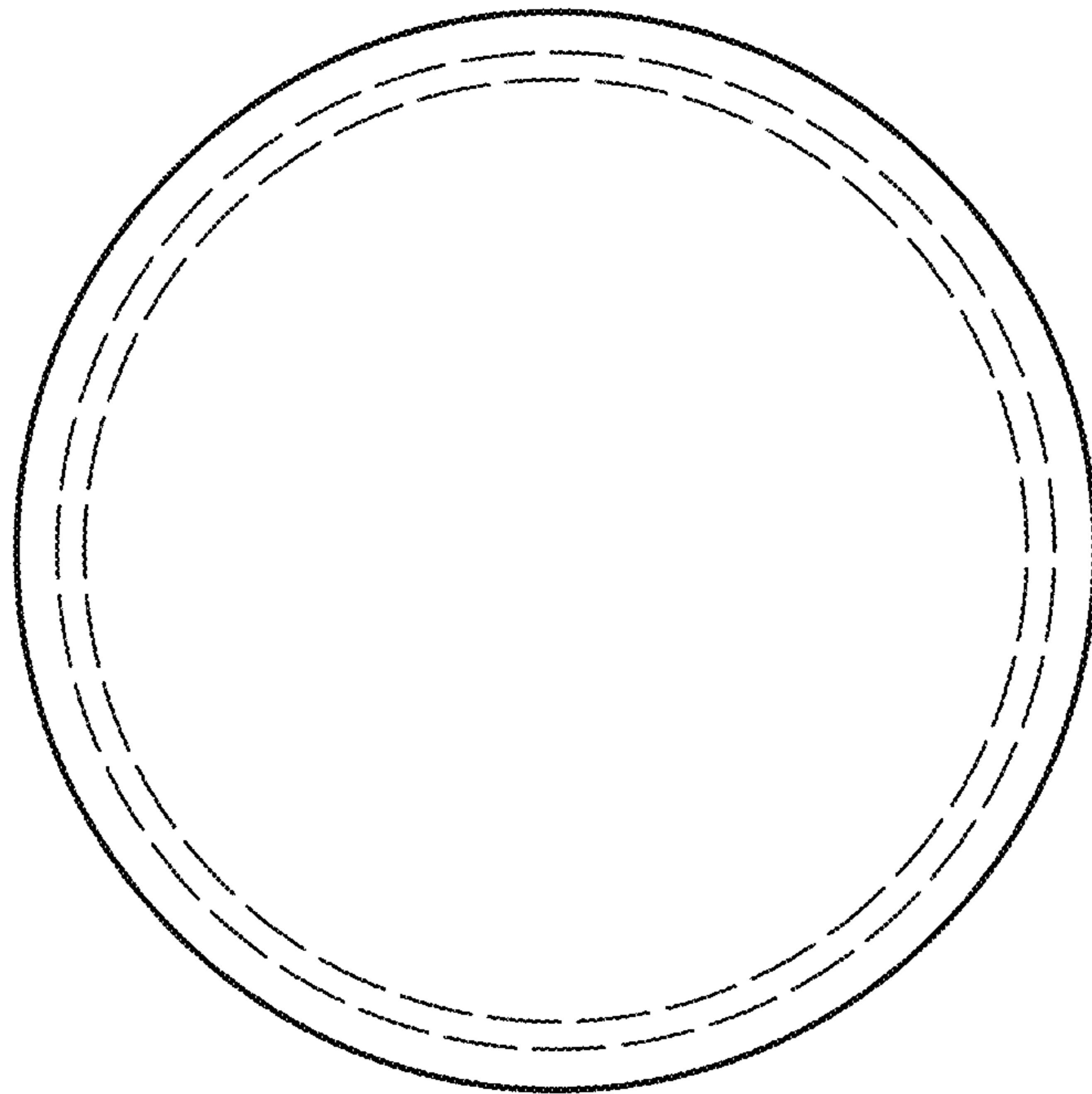


FIG. 23

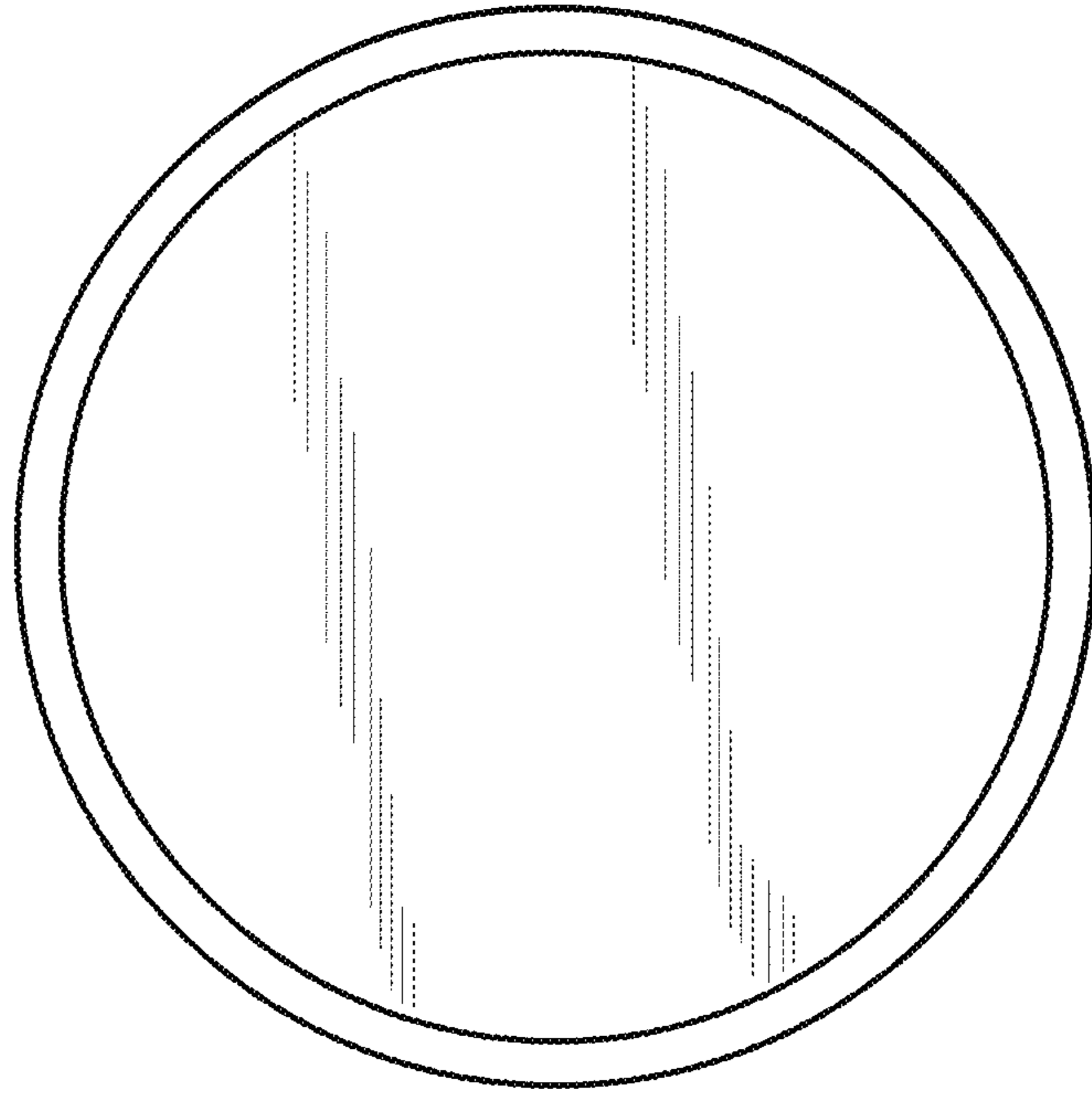


FIG. 24

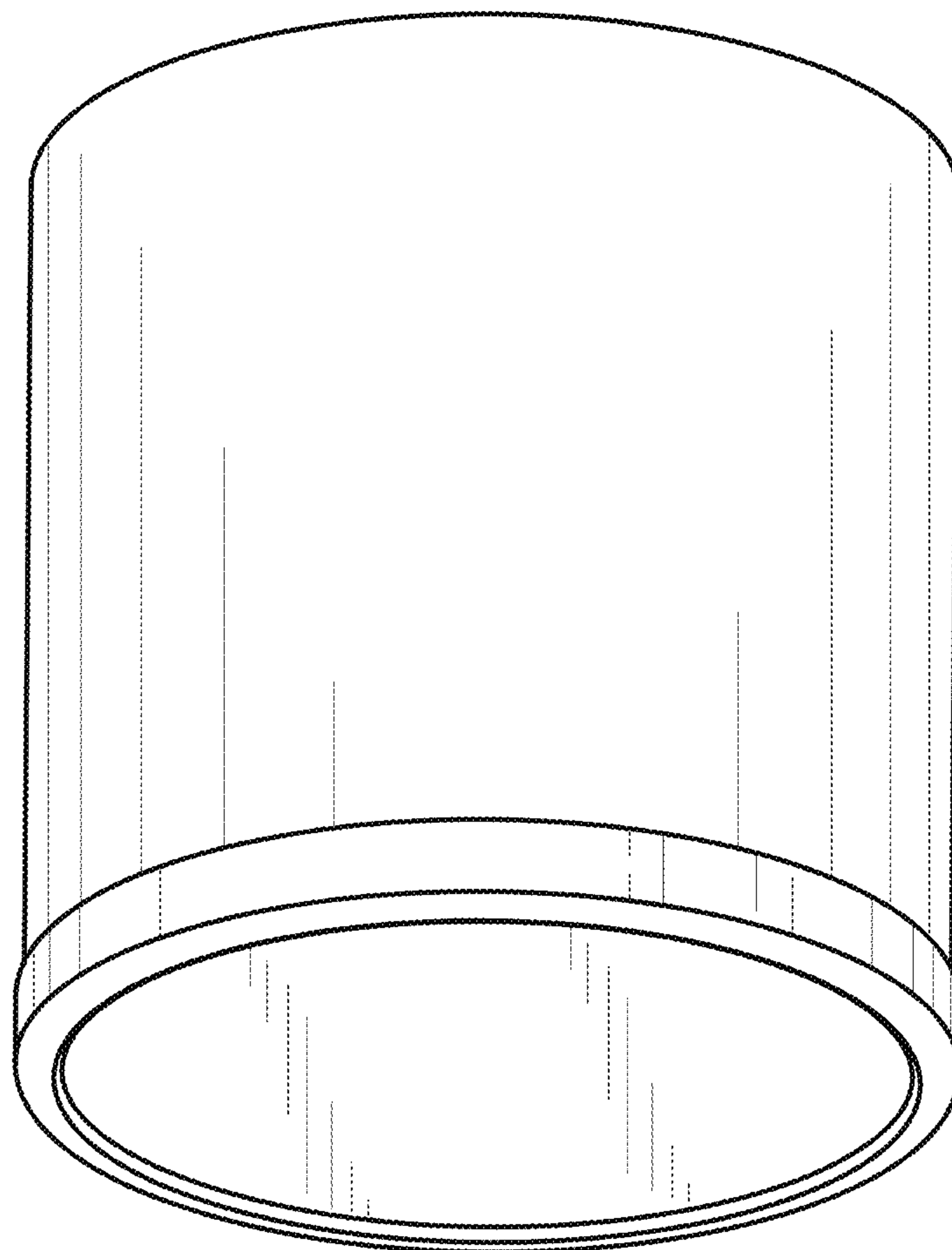


FIG. 25